

**SUZUKI**  
PARTS CATALOGUE

**DT25/30**

DT25K

DT30

DT30R



**OUTBOARD MOTOR**

P40/P36

2013-9

1<sup>ST</sup> EDITION

## PREFACE

When it becomes necessary to replace parts on SUZUKI OUTBOARD MOTORS, always use SUZUKI GENUINE PARTS which have passed a strict inspection which guarantees quality and performance.

This parts catalogue covers the list of all service parts for SUZUKI DT25/30 production start 2013.

### INSTRUCTIONS FOR QUOTING THE CATALOGUE

#### 1. DIMENSIONS

Dimensions of the parts in this catalogue are indicated in unit millimeters.

#### 2. ABBREVIATIONS

Abbreviations used in this catalogue are as follows:

AR	: As required	NT	: Number of teeth
ASSY	: Assembly	OPT	: Optional
E. NO.	: Engine number	OS	: Over size
F. NO.	: Frame number	STD	: Standard
D	: Diameter of material	T	: Thickness
ID	: Inside diameter	US	: Under size
OD	: Outside diameter	W	: Width
L	: Length	W/	: With
LH(PORT)	: Left hand side	S, L	: Transom type
RH(STBD)	: Right hand side	SUS	: Stainless steel
~123456	: Up to E. NO. 03005-123456		
123456~	: From E. NO. 03005-123456		
12 x 34 x 5.6.....	Figures in the description column		
	show the dimensions of parts.		
ID OD T(or W, L)			

→12345-56781 (Parts No.) : indicates that the parts number was changed to 12345-56781 and the new parts are interchangeable with the former ones but the former ones are not interchangeable with new ones.

←12345-56781 (Parts No.) : indicates that the former and new parts are interchangeable with each other and both are usable.

#### 3. INNER PARTS OF ASSEMBLY

Part name with a dot (.) in front as shown in the description column indicates the component of the assembly also available individually.

#### 4. MODIFICATION NOTICE

A parts bulletin will be sent to you on all occasions when changes in parts occur, including interchangeable modifications between new parts and old ones.

#### 5. NOTE

5-1. There are some different parts from those of production models among spare parts for the administrative reasons and common use of them with other models.

5-2. In respect of rubber hoses and vinyl tubes, please be sure to use them by cutting off according to the length mentioned on parts catalogue or what is actually required on the vehicle.

5-3. Note that the drawings on the illustration page are for ready reference of spare parts number, not to be used as an assembly manual.  
When assembling, use "SUZUKI SERVICE MANUAL".

#### 6. SPECIFICATION CODE

This catalogue contains the parts for the model designed for the following spec. :

spec. code : DT25K : P36  
DT30 : P40  
DT30R : P40

#### 7. MODEL NAME AND ENGINE NUMBER

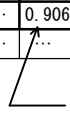
MODEL	DESTINATION	TYPE	TRANSOM	ENGINE No.
DT25K	P36	02503K	L	02503K-410001~
DT30	P40	03005	S, L	03005-410001~
DT30R	P40	03005	S, L	03005-410001~

MILLIMETER → INCH CONVERSION CHART

	0	1	2	3	4	5	6	7	8	9
00	.000	.039	.079	.118	.157	.197	.236	.276	.315	.354
10	.394	.433	.472	.512	.551	.591	.630	.669	.709	.748
20	.787	.827	.866	.906	.945	.984	1.024	1.063	1.102	1.142
30	1.181	1.220	1.260	1.299	1.339	1.378	1.417	1.457	1.496	1.535
40	1.575	1.614	1.654	1.693	1.732	1.772	1.811	1.850	1.890	1.929
50	1.969	2.008	2.047	2.087	2.126	2.165	2.205	2.214	2.283	2.323
60	2.362	2.402	2.441	2.480	2.520	2.559	2.598	2.638	2.677	2.717
70	2.756	2.795	2.835	2.874	2.913	2.953	2.992	3.031	3.071	3.110
80	3.150	3.189	3.228	3.268	3.307	3.346	3.386	3.425	3.465	3.504
90	3.543	3.583	3.622	3.661	3.701	3.740	3.780	3.819	3.858	3.898

How to read

	0	1	2	3	4
00	...	...	...	...	...
10	...	...	...	...	...
20	...	...	...	0.906	...
30	...	...	...	...	...


 23 millimeters equal 0.906 inch

Contents are subject to change without notice or obligation.

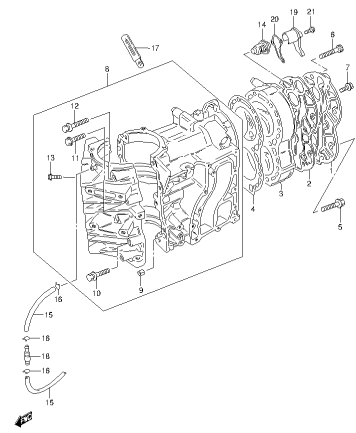
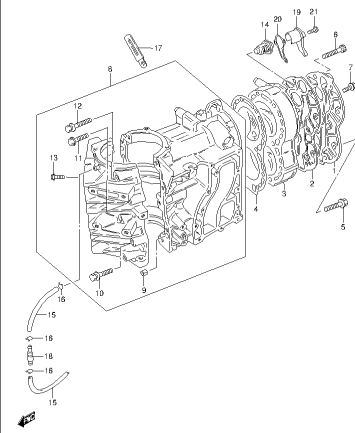
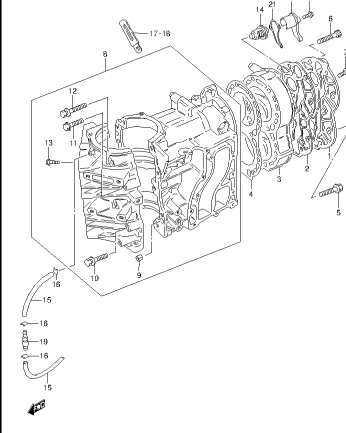
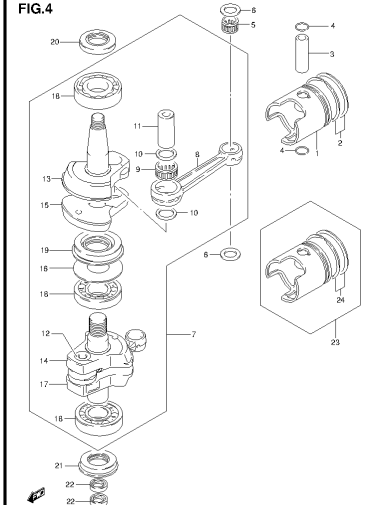
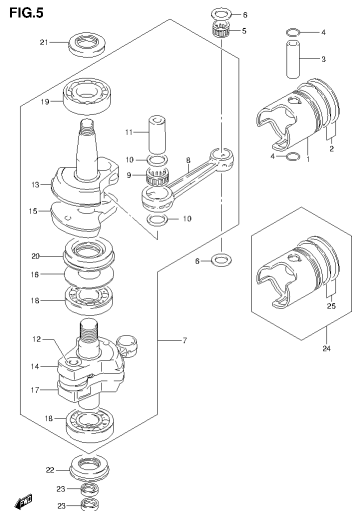
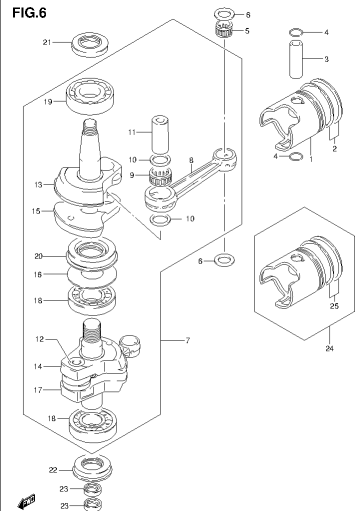
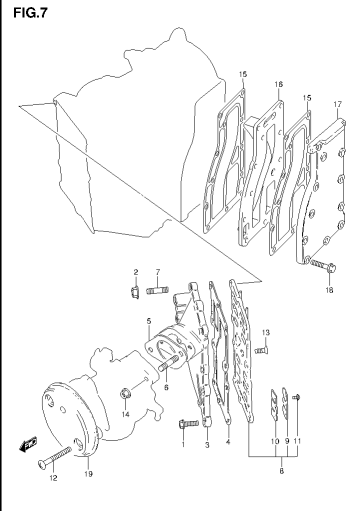
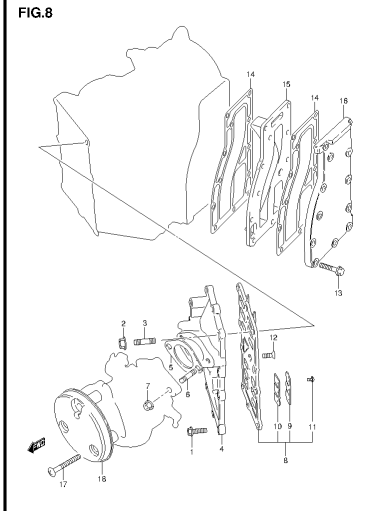
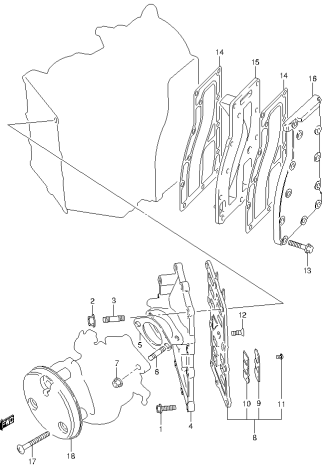
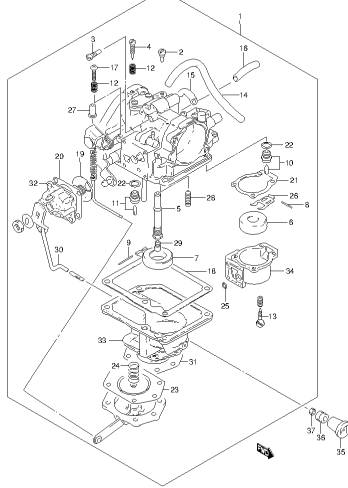
**FIG.1**DT25\_30\_F40\_914\_001  
CYLINDER**FIG.2**DT25\_30\_F40\_914\_002  
CYLINDER**FIG.3**DT25\_30\_F40\_914\_003  
CYLINDER**FIG.4**DT25\_30\_F40\_914\_004  
CRANKSHAFT**FIG.5**DT25\_30\_F40\_914\_005  
CRANKSHAFT**FIG.6**DT25\_30\_F40\_914\_006  
CRANKSHAFT**FIG.7**DT25\_30\_F40\_914\_007  
INLET CASE**FIG.8**DT25\_30\_F40\_914\_008  
INLET CASE

FIG.9



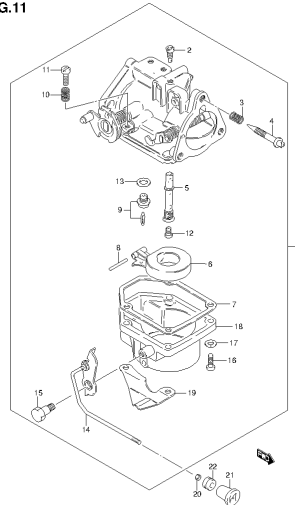
0125\_30\_F40\_014\_009  
INLET CASE

FIG.10



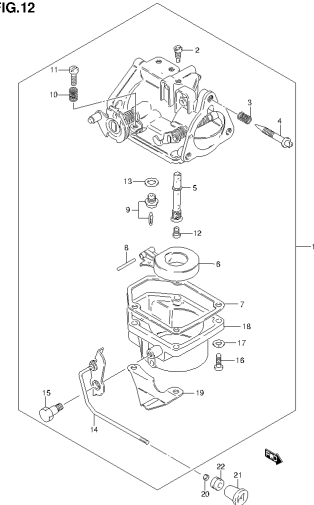
0125\_30\_F40\_014\_010  
CARBURETOR

FIG.11



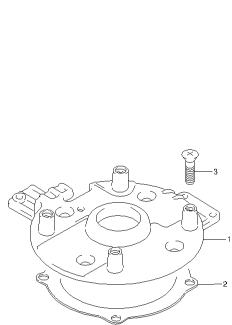
0125\_30\_F40\_014\_011  
CARBURETOR

FIG.12



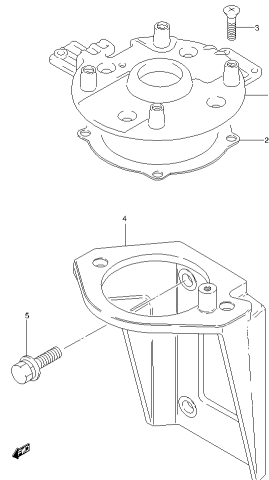
0125\_30\_F40\_014\_012  
CARBURETOR

FIG.13



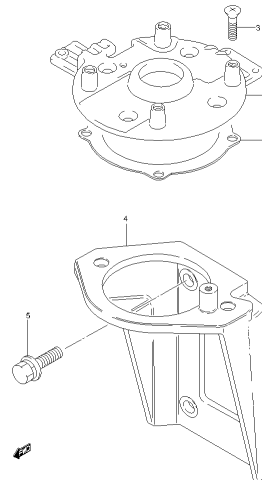
0125\_30\_F40\_014\_013  
OIL SEAL HOUSING

FIG.14



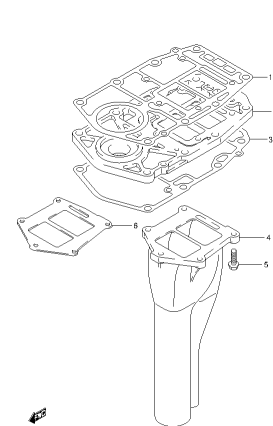
0125\_30\_F40\_014\_014  
OIL SEAL HOUSING

FIG.15



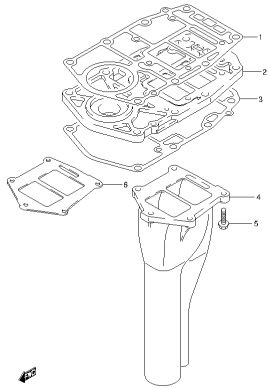
0125\_30\_F40\_014\_015  
OIL SEAL HOUSING

FIG.16



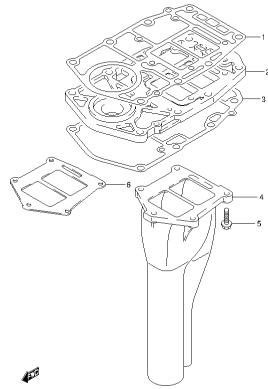
0125\_30\_F40\_014\_016  
EXHAUST TUBE

FIG.17



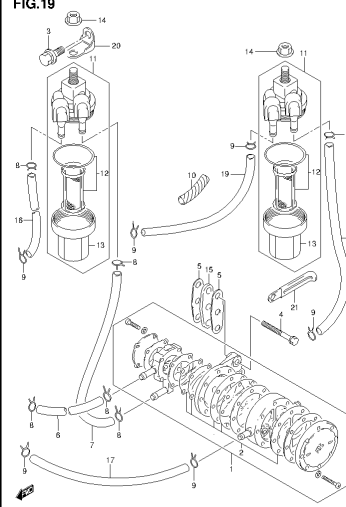
DT25\_30\_F40\_914\_917  
EXHAUST TUBE

FIG.18



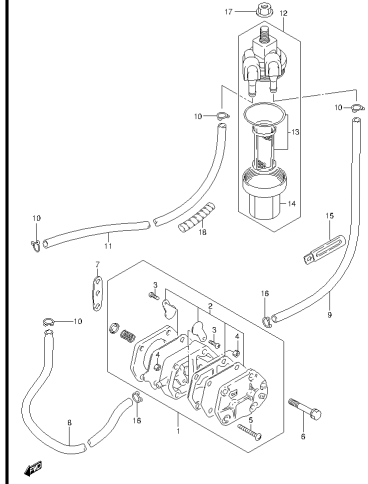
DT25\_30\_F40\_914\_918  
EXHAUST TUBE

FIG.19



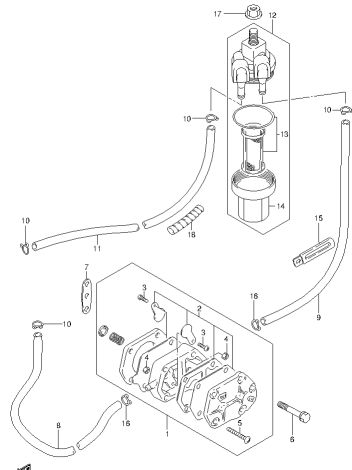
DT25\_30\_F40\_914\_919  
FUEL PUMP

FIG.20



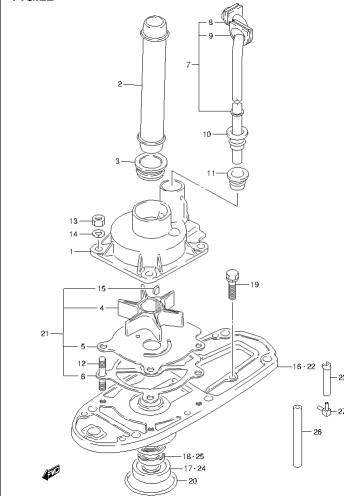
DT25\_30\_F40\_914\_920  
FUEL PUMP

FIG.21



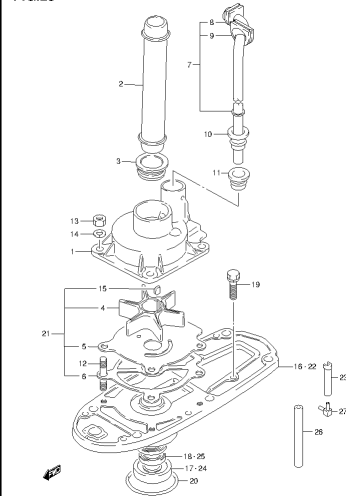
DT25\_30\_F40\_914\_921  
FUEL PUMP

FIG.22



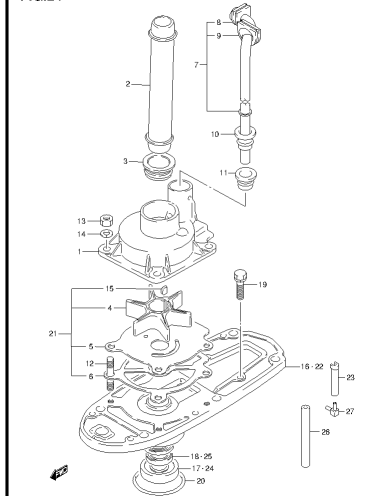
DT25\_30\_F40\_914\_922  
WATER PUMP

FIG.23

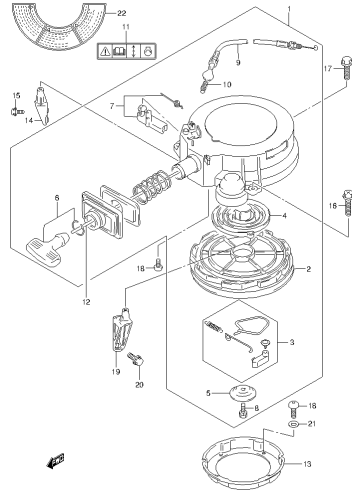


DT25\_30\_F40\_914\_923  
WATER PUMP

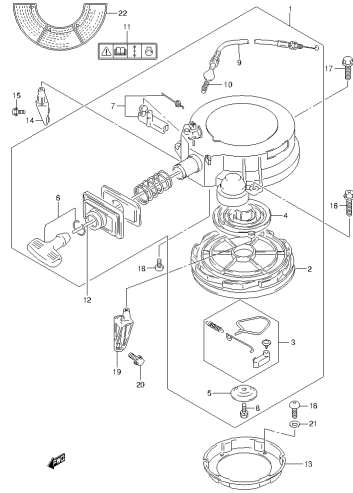
FIG.24



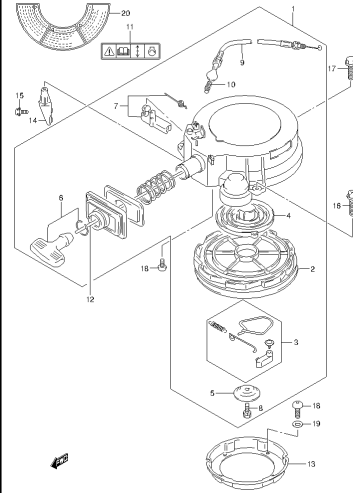
DT25\_30\_F40\_914\_924  
WATER PUMP

**FIG.25**

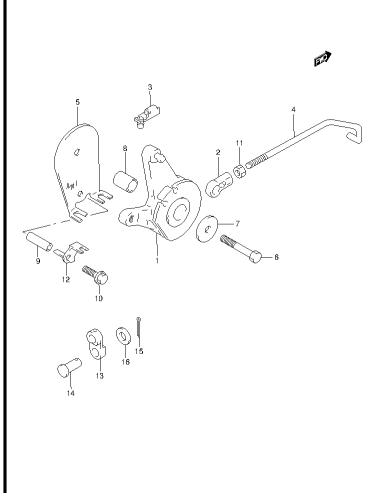
0125\_30\_F40\_914\_925  
RECOIL STARTER

**FIG.26**

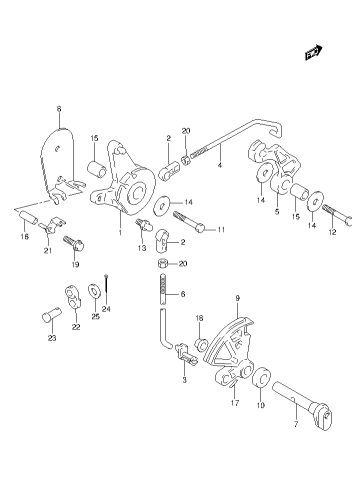
0125\_30\_F40\_914\_926  
RECOIL STARTER

**FIG.27**

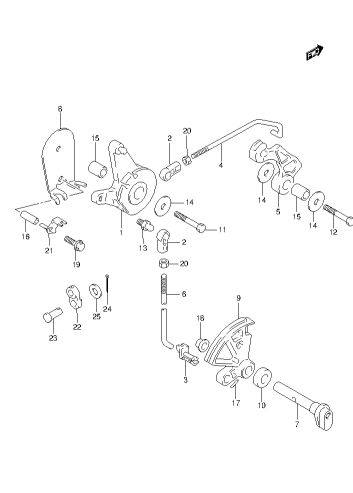
0125\_30\_F40\_914\_927  
RECOIL STARTER

**FIG.28**

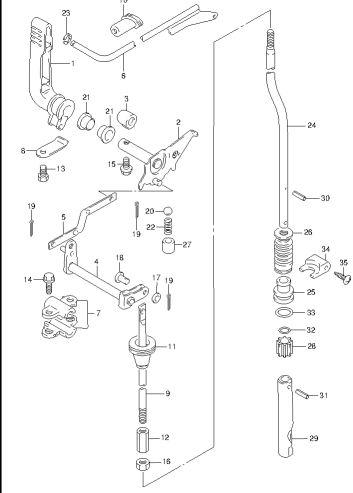
0125\_30\_F40\_914\_928  
THROTTLE CONTROL

**FIG.29**

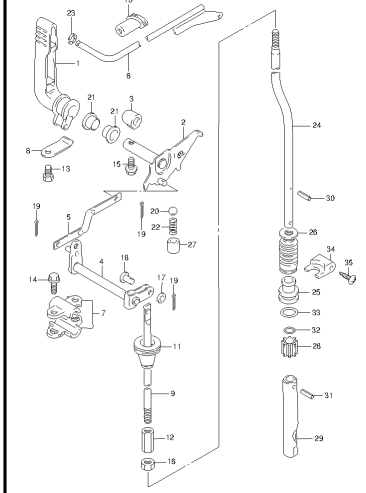
0125\_30\_F40\_914\_929  
THROTTLE CONTROL

**FIG.30**

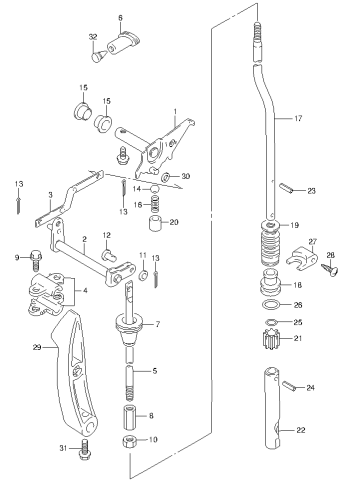
0125\_30\_F40\_914\_930  
THROTTLE CONTROL

**FIG.31**

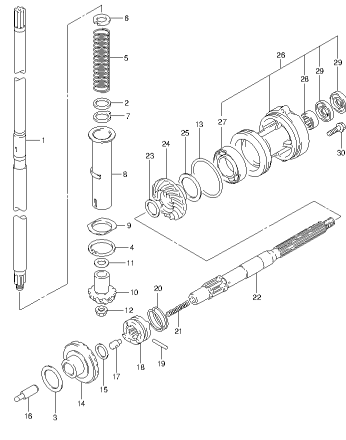
0125\_30\_F40\_914\_931  
CLUTCH

**FIG.32**

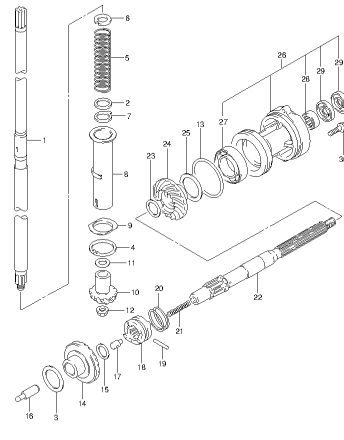
0125\_30\_F40\_914\_932  
CLUTCH

**FIG.33**

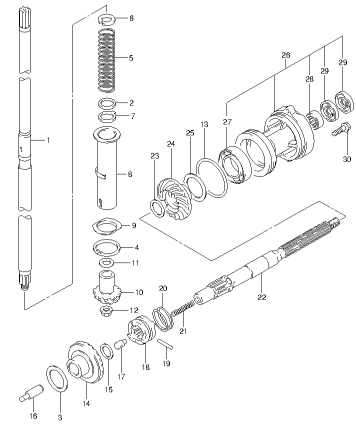
DT25\_30\_F40\_914\_935  
CLUTCH

**FIG.34**

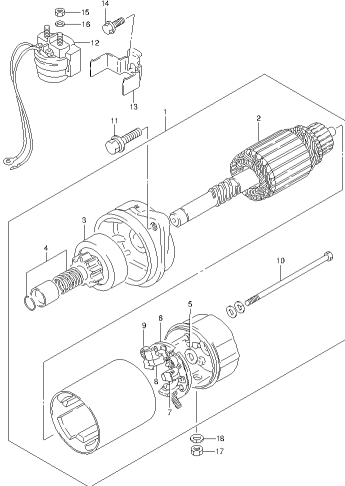
DT25\_30\_F40\_914\_934  
TRANSMISSION

**FIG.35**

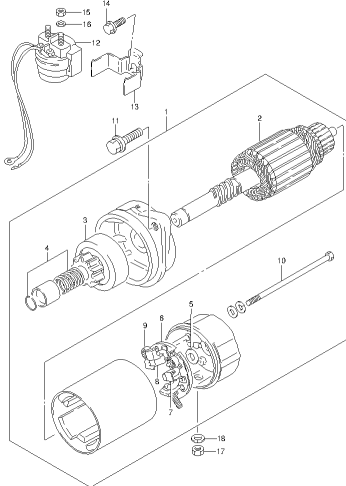
DT25\_30\_F40\_914\_935  
TRANSMISSION

**FIG.36**

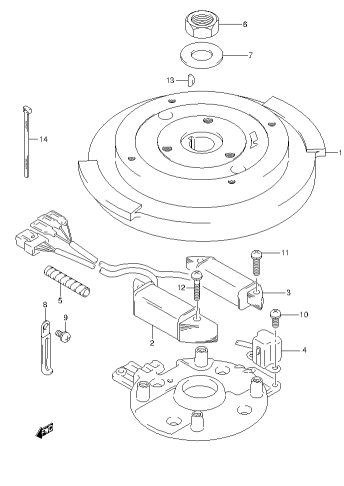
DT25\_30\_F40\_914\_936  
TRANSMISSION

**FIG.37**

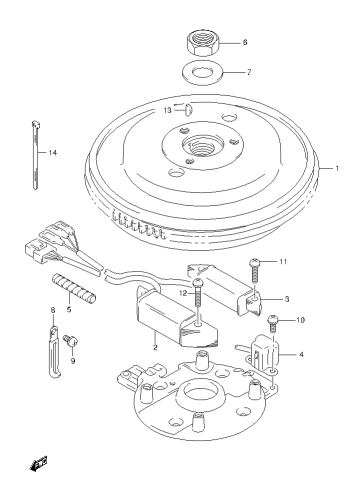
DT25\_30\_F40\_914\_937  
STARTING MOTOR

**FIG.38**

DT25\_30\_F40\_914\_938  
STARTING MOTOR

**FIG.39**

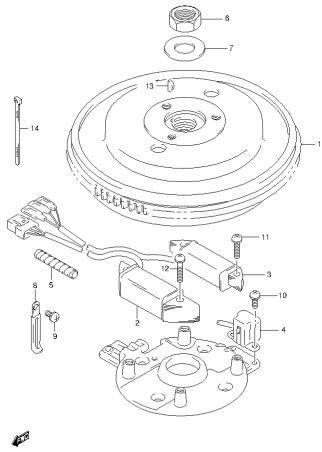
DT25\_30\_F40\_914\_939  
MAGNETO

**FIG.40**

DT25\_30\_F40\_914\_940  
MAGNETO

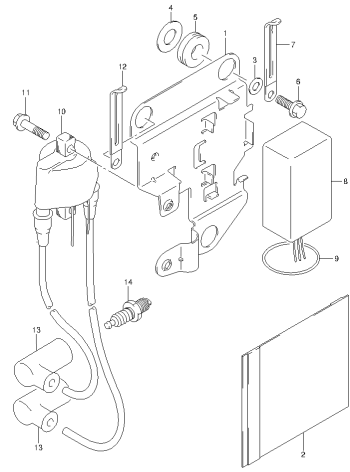


FIG.41



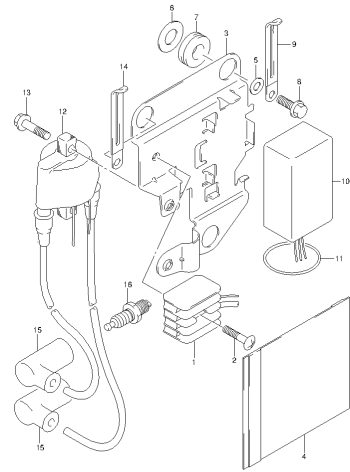
DT25\_30\_F40\_014\_041  
MAGNETO

FIG.42



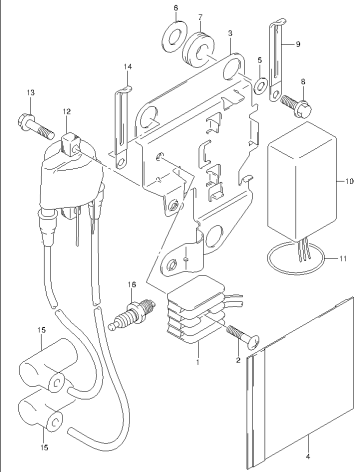
DT25\_30\_F40\_014\_042  
IGNITION

FIG.43



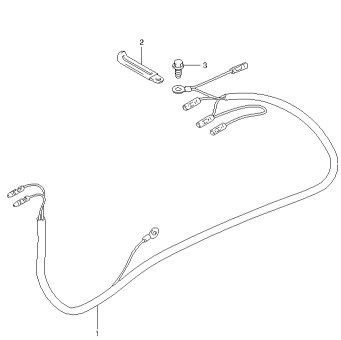
DT25\_30\_F40\_014\_043  
IGNITION

FIG.44



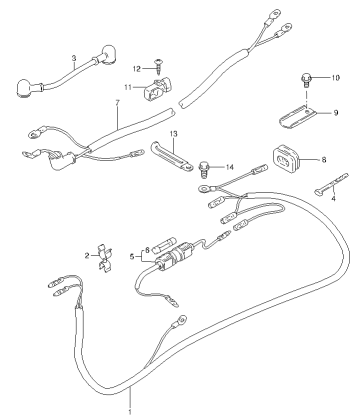
DT25\_30\_F40\_014\_044  
IGNITION

FIG.45



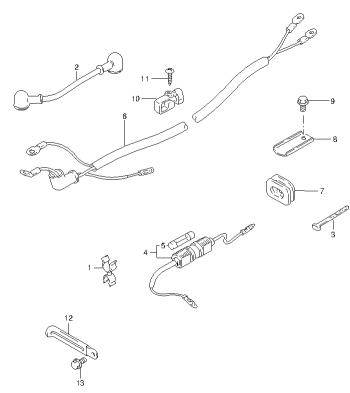
DT25\_30\_F40\_014\_045  
HARNESS

FIG.46



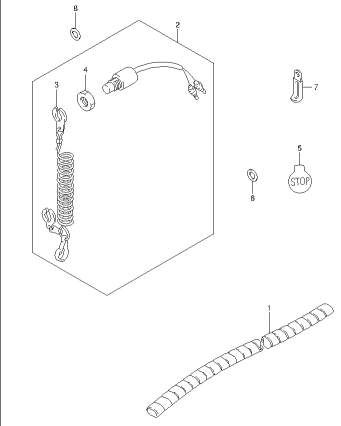
DT25\_30\_F40\_014\_046  
HARNESS

FIG.47

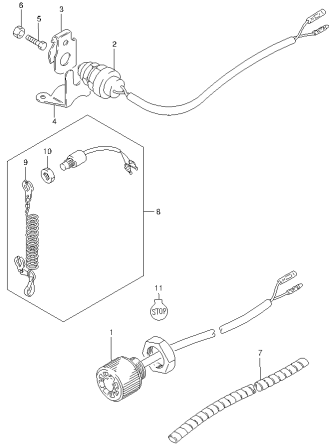


DT25\_30\_F40\_014\_047  
HARNESS

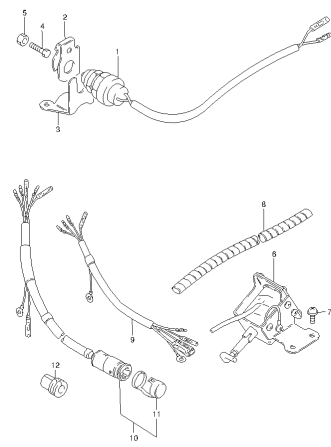
FIG.48



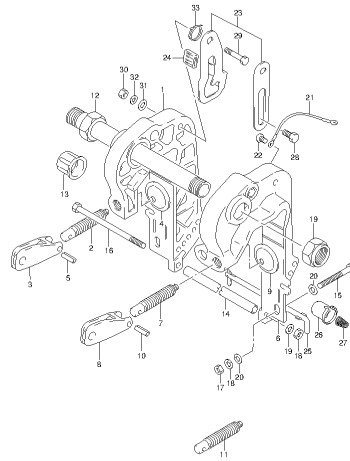
DT25\_30\_F40\_014\_048  
SWITCH

**FIG.49**

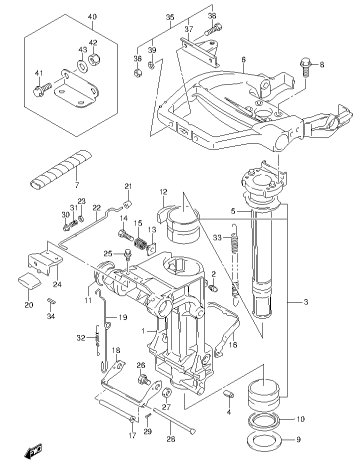
DT25\_30\_F40\_914\_949  
SWITCH

**FIG.50**

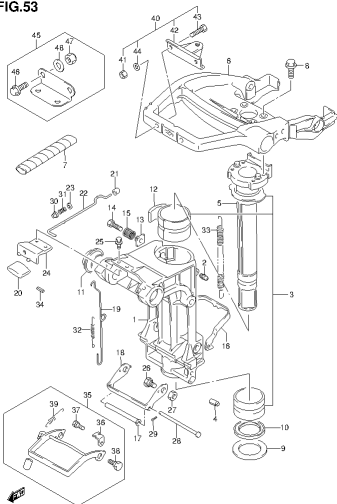
DT25\_30\_F40\_914\_950  
SWITCH

**FIG.51**

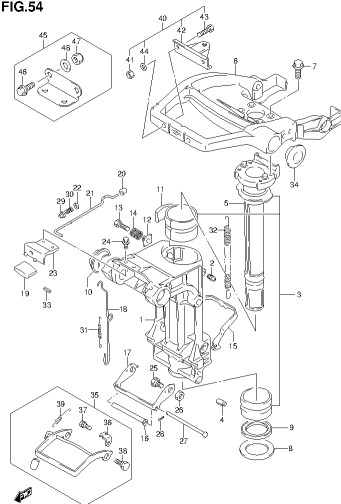
DT25\_30\_F40\_914\_951  
CLAMP BRACKET

**FIG.52**

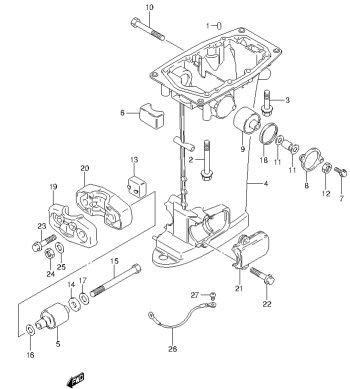
DT25\_30\_F40\_914\_952  
SWIVEL BRACKET

**FIG.53**

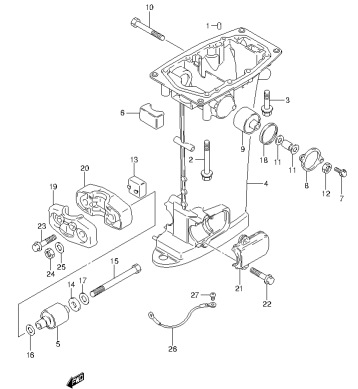
DT25\_30\_F40\_914\_953  
SWIVEL BRACKET

**FIG.54**

DT25\_30\_F40\_914\_954  
SWIVEL BRACKET

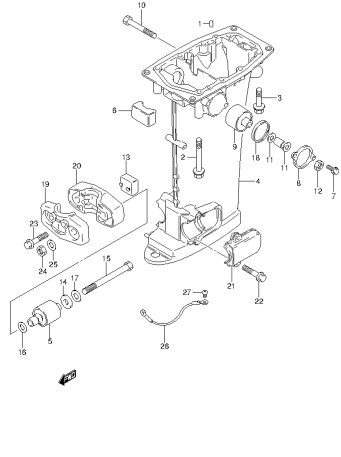
**FIG.55**

DT25\_30\_F40\_914\_955  
DRIVE SHAFT HOUSING

**FIG.56**

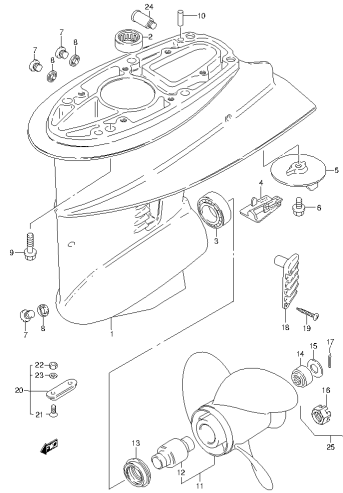
DT25\_30\_F40\_914\_956  
DRIVE SHAFT HOUSING

FIG.57



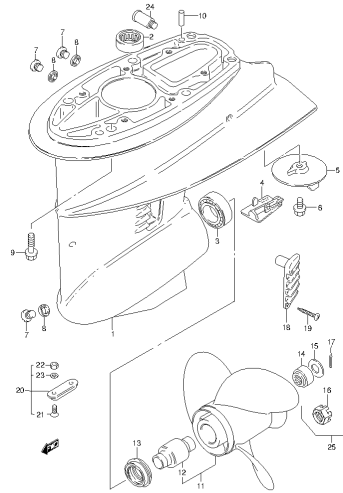
DT25\_30\_P40\_014\_057  
DRIVE SHAFT HOUSING

FIG.58



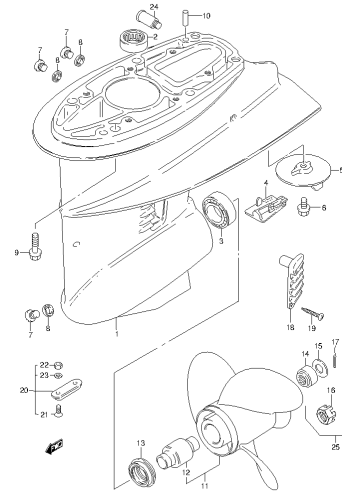
DT25\_30\_P40\_014\_058  
GEAR CASE

FIG.59



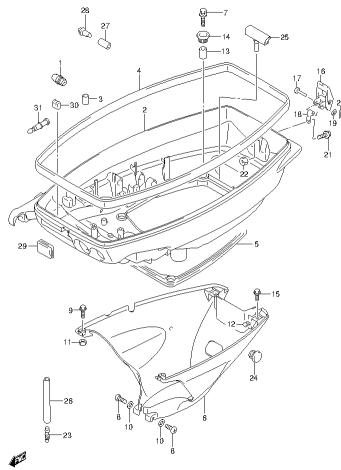
DT25\_30\_P40\_014\_059  
GEAR CASE

FIG.60



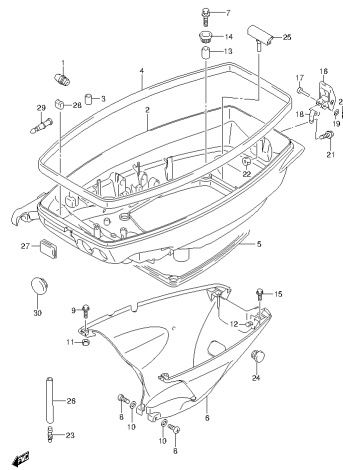
DT25\_30\_P40\_014\_060  
GEAR CASE

FIG.61



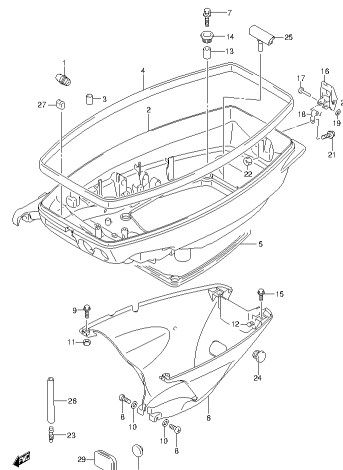
DT25\_30\_P40\_014\_061  
UNDER COVER

FIG.62



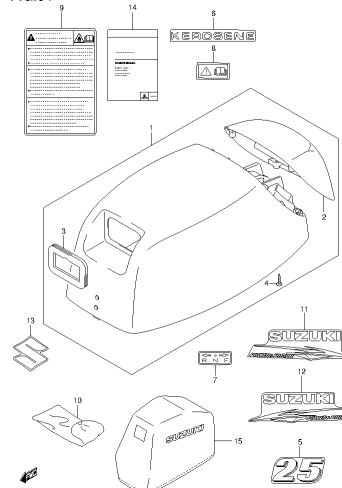
DT25\_30\_P40\_014\_062  
UNDER COVER

FIG.63



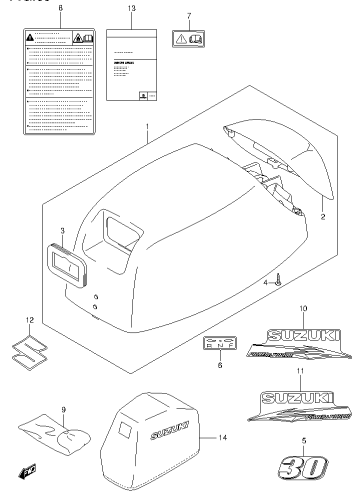
DT25\_30\_P40\_014\_063  
UNDER COVER

FIG.64



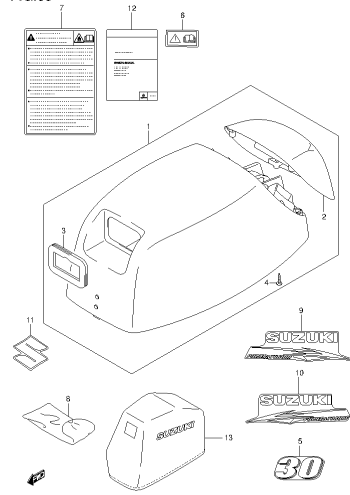
DT25\_30\_P40\_014\_064  
ENGINE COVER

FIG.65



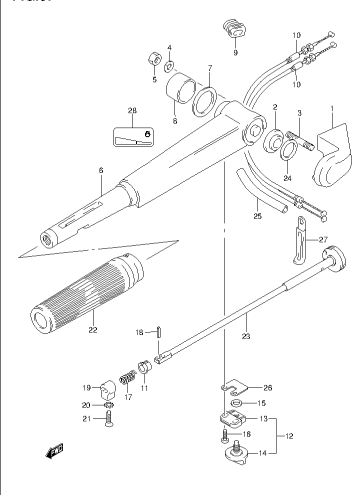
DT25\_30\_F40\_914\_865  
ENGINE COVER

FIG.66



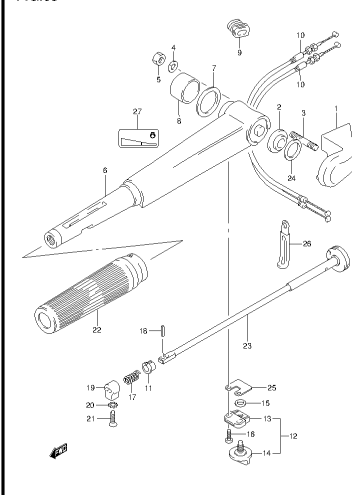
DT25\_30\_F40\_914\_866  
ENGINE COVER

FIG.67



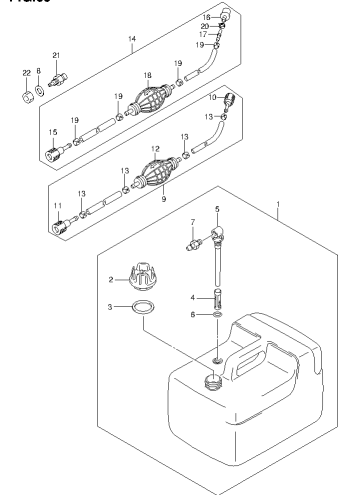
DT25\_30\_F40\_914\_867  
TILLER HANDLE

FIG.68



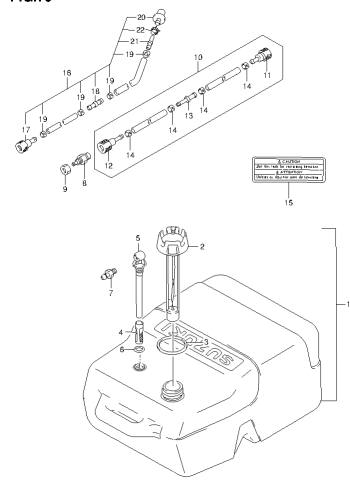
DT25\_30\_F40\_914\_868  
TILLER HANDLE

FIG.69



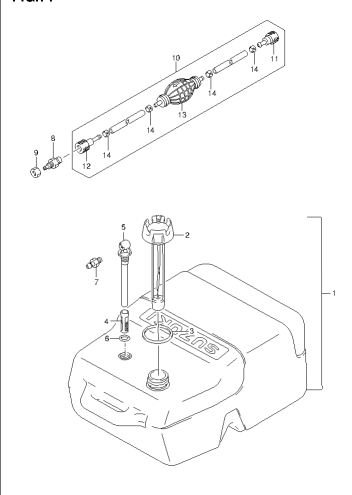
DT25\_30\_F40\_914\_869  
FUEL TANK

FIG.70



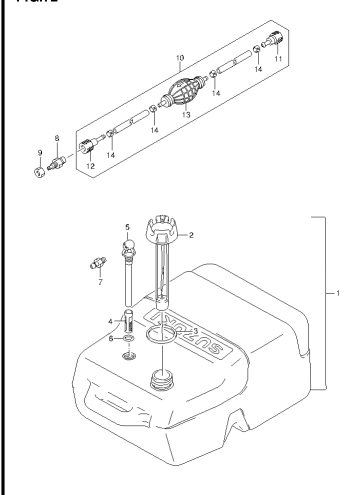
DT25\_30\_F40\_914\_870  
FUEL TANK

FIG.71



DT25\_30\_F40\_914\_871  
FUEL TANK

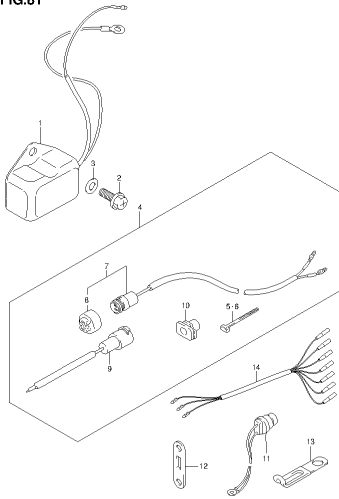
FIG.72



DT25\_30\_F40\_914\_872  
FUEL TANK

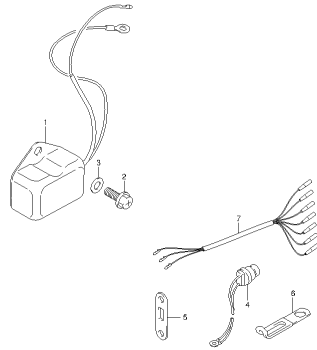


FIG.81



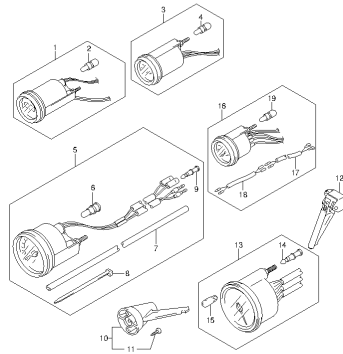
DT25\_30\_P40\_914\_861  
OPT. REGULATOR

FIG.82



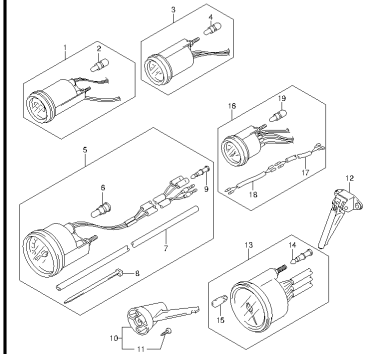
DT25\_30\_P40\_914\_862  
OPT. REGULATOR

FIG.83



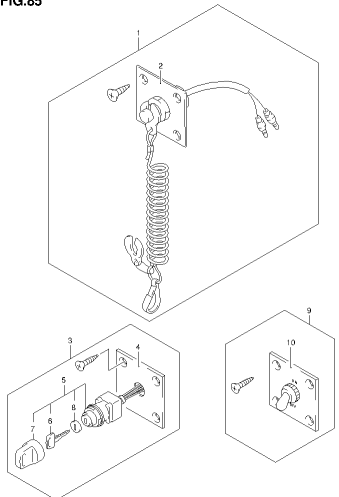
DT25\_30\_P40\_914\_863  
OPT. METER

FIG.84



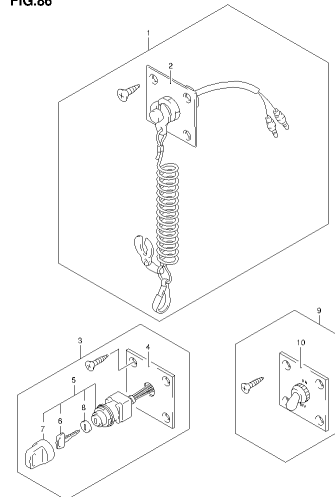
DT25\_30\_P40\_914\_864  
OPT. METER

FIG.85



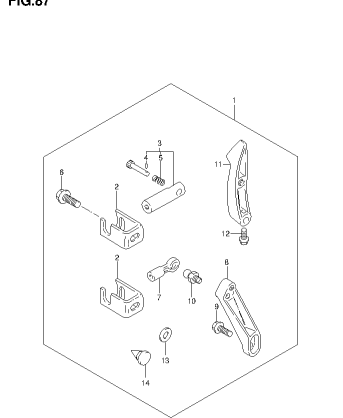
DT25\_30\_P40\_914\_865  
OPT. SWITCH PANEL

FIG.86



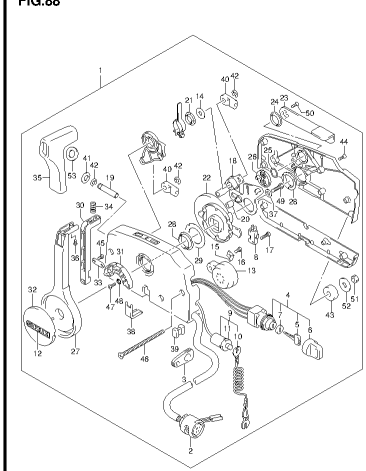
DT25\_30\_P40\_914\_866  
OPT. SWITCH PANEL

FIG.87



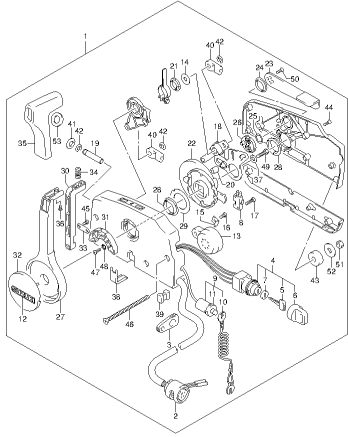
DT25\_30\_P40\_914\_867  
OPT. REMOCON PARTS SET

FIG.88



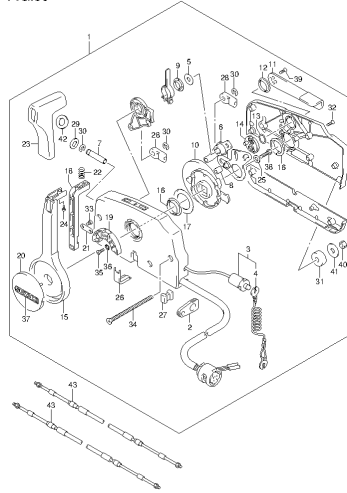
DT25\_30\_P40\_914\_868  
OPT. REMOTE CONTROL

FIG.89



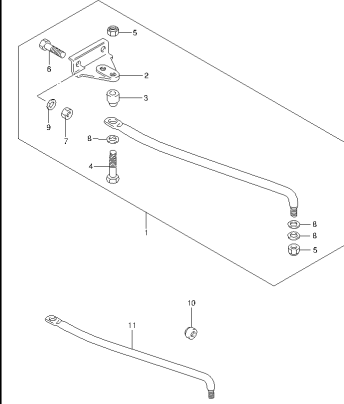
D125\_30\_F40\_314\_089  
DIFF. REMOTE CONTROL

FIG.90



D125\_30\_F40\_314\_090  
DIFF. REMOTE CONTROL

FIG.91



D125\_30\_F40\_314\_091  
DIFF. LINK

FIG.1

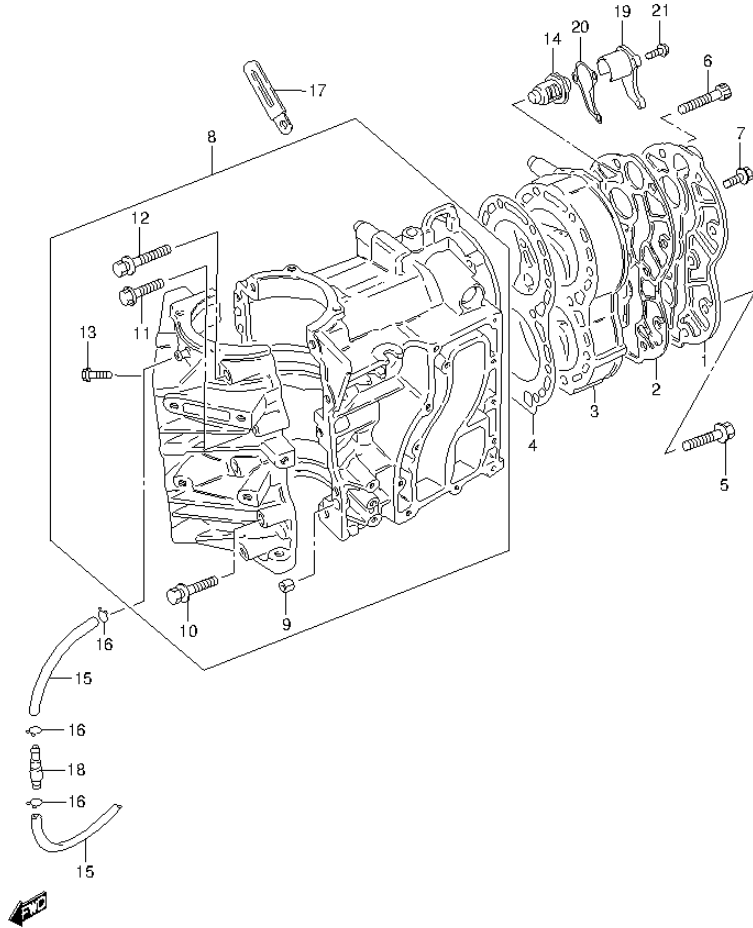


FIG.1 (1-B-2) CYLINDER (DT25K P36)

REF NO.	PART NO.	DESCRIPTION	Q'TY	REMARKS
1	11161-91L10	COVER, CYLINDER HEAD	1	
2	11162-96310	GASKET, CYLINDER HEAD COVER	1	
3	11111-91L30	CYLINDER HEAD	1	
4	11141-96344	GASKET, CYLINDER HEAD	1	
5	01560-08657	BOLT	8	
6	11119-91L00	BOLT, CYLINDER HEAD NO.2	2	
7	01550-06257	BOLT	2	
8	11300-91L40	CYLINDER ASSY	1	
9	04211-09109	.PIN	2	
10	01560-08557	.BOLT	4	
11	01560-08457	.BOLT	2	
12	01560-08607	.BOLT	2	
13	01550-06257	.BOLT	4	
14	17670-93953	THERMOSTAT (60C)	1	
15	09343-03510	HOSE (3.1X6.8X180)	2	
16	09401-06406	CLIP	4	
17	29404-93J10	CLAMP (L:65)	1	
18	16710-95211	CHECK VALVE	1	
19	17681-91L10	COVER, THERMOSTAT	1	
20	17685-96300	GASKET, THERMOSTAT	1	
21	01550-06207	BOLT	3	



FIG.2

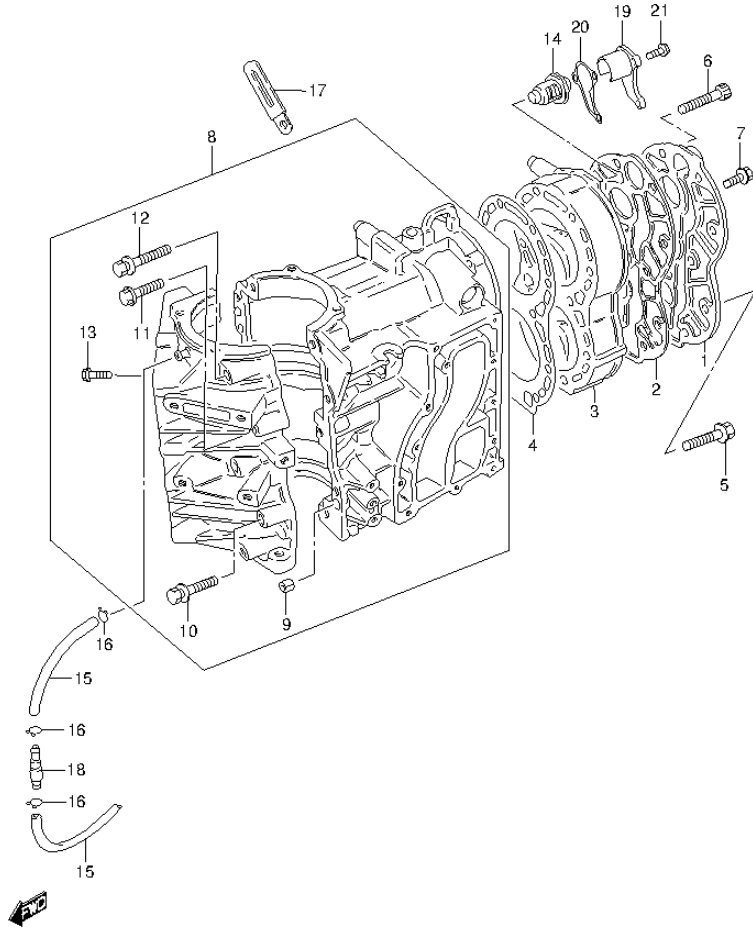


FIG.2 (1-B-3) CYLINDER (DT30 P40)

REF NO.	PART NO.	DESCRIPTION	Q'TY	REMARKS
1	11161-91L10	COVER, CYLINDER HEAD	1	
2	11162-96310	GASKET, CYLINDER HEAD COVER	1	
3	11111-91L20	CYLINDER HEAD	1	
4	11141-96344	GASKET, CYLINDER HEAD	1	
5	01560-08657	BOLT	8	
6	11119-91L00	BOLT ,CYLINDER HEAD NO.2	2	
7	01550-06257	BOLT	2	
8	11300-91L30	CYLINDER ASSY	1	
9	04211-09109	.PIN	2	
10	01560-08557	.BOLT	4	
11	01560-08457	.BOLT	2	
12	01560-08607	.BOLT	2	
13	01550-06257	.BOLT	4	
14	17670-93962	THERMOSTAT (50C)	1	
15	09343-03510	HOSE (3.1X6.8X180)	2	
16	09401-06406	CLIP	4	
17	29404-93J10	CLAMP (L:65)	1	
18	16710-95211	CHECK VALVE	1	
19	17681-91L10	COVER, THERMOSTAT	1	
20	17685-96300	GASKET, THERMOSTAT	1	
21	01550-06207	BOLT	3	



FIG.4

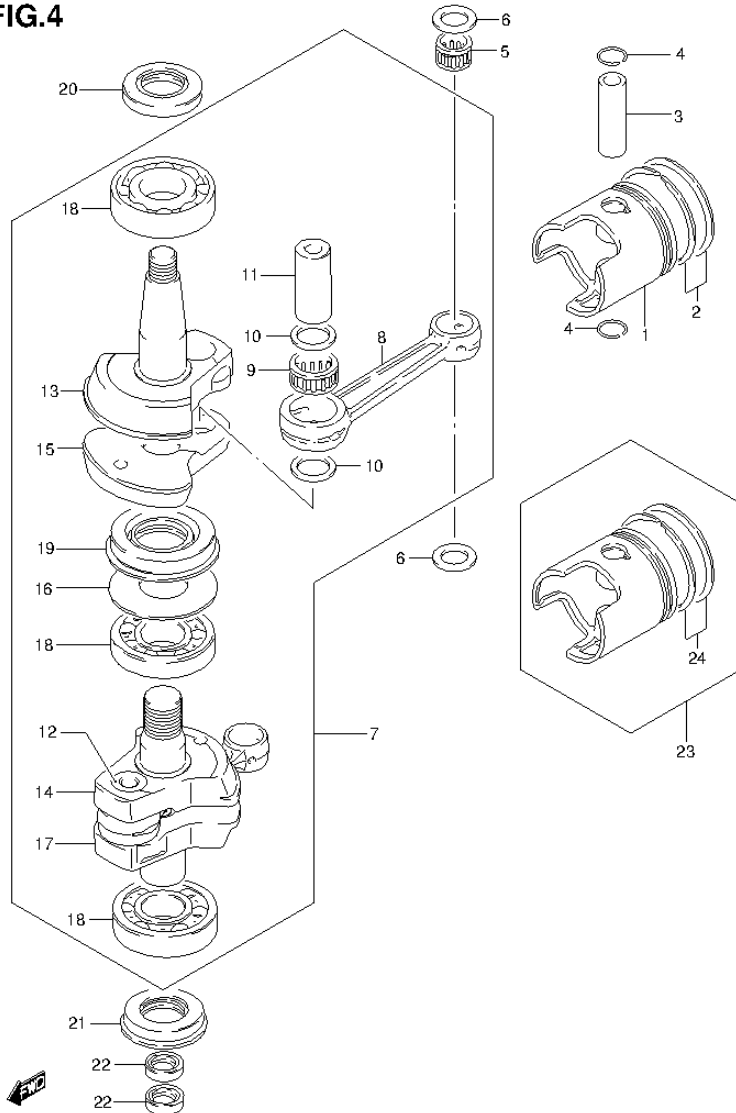


FIG.4 (1-B-5) CRANKSHAFT (DT25K P36)

REF NO.	PART NO.	DESCRIPTION	Q'TY	REMARKS
1	12110-91L00-0B0	PISTON	2	
2	12140-91L10	RING SET, PISTON	2	
3	12151-91L00	PIN, PISTON	2	
4	09381-18002	SNAP RING	4	
5	09263-18L01	BEARING (18X23X22)	2	
6	09169-18001	WASHER	4	
7	12200-91L40	CRANKSHAFT ASSY (KEROSENE)	1	
8	12161-91L00	.ROD, CONNECTING	2	
9	09263-24018	.BEARING (24X32X20)	2	
10	09181-24001	.WASHER (24X31.5X1)	4	
11	12211-96311	.PIN, CRANK UPPER	1	
12	12211-96311	.PIN, CRANK LOWER	1	
13	12221-91L30	.CRANKSHAFT, UPPER	1	
14	12232-91L30	.WHEEL, MIDDLE UNDER	1	
15	12231-91L30	.WHEEL, MIDDLE UPPER	1	
16	09160-50002	.WASHER (50X77X1)	1	
17	12240-91L30	.CRANKSHAFT, UNDER	1	
18	09262-30L01	.BEARING (30X72X19)	3	
19	09289-39L01	.OIL SEAL (38X72X12)	1	
20	09283-30L03	OIL SEAL (30X55X10)	1	
21	09283-30L02	OIL SEAL (30X55X8)	1	
22	09282-15L01	OIL SEAL (14.7X25X6.5)	2	
23	12100-91L00-050	PISTON/RING SET (OS:0.50)	2	OPT
24	12140-96351-050	.RING SET, PISTON (OS:0.50)	2	OPT

FIG.5

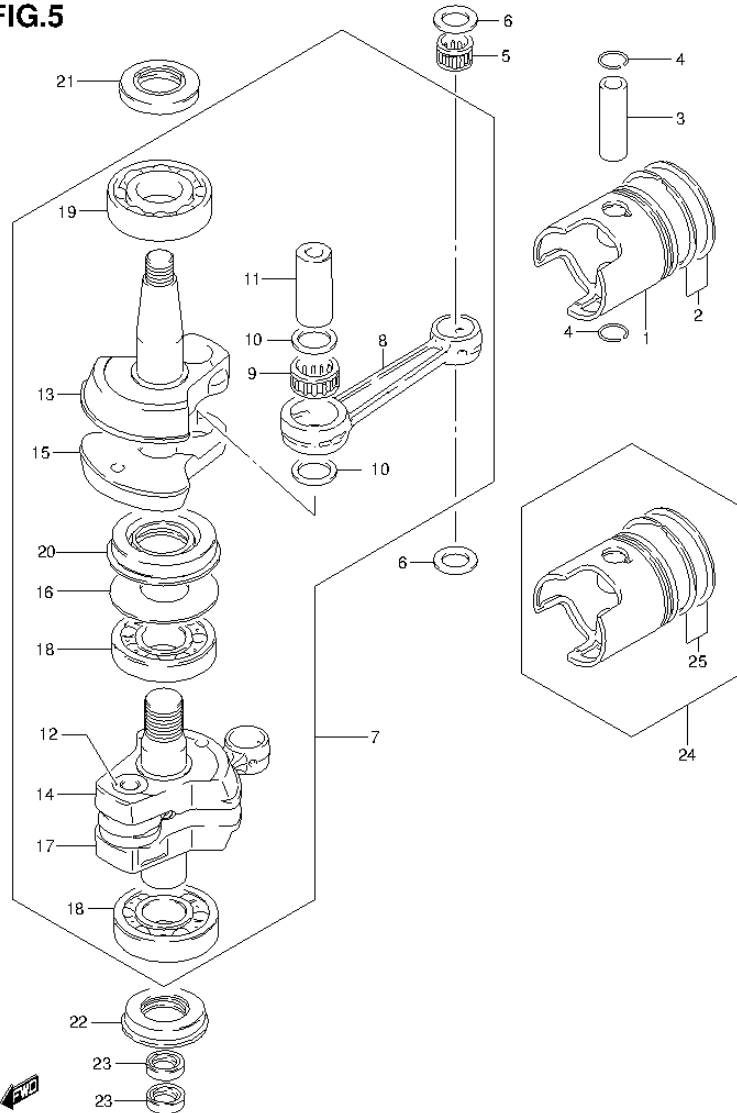


FIG.5 (1-B-6) CRANKSHAFT (DT30 P40)

REF NO.	PART NO.	DESCRIPTION	Q'TY	REMARKS
1	12110-91L00-0B0	PISTON	2	
2	12140-91L00	RING SET, PISTON	2	
3	12151-91L00	PIN, PISTON	2	
4	09381-18002	SNAP RING	4	
5	09263-18L01	BEARING (18X23X22)	2	
6	09169-18001	WASHER	4	
7	12200-91L40	CRANKSHAFT ASSY	1	<-12200-91L30
8	12161-91L00	.ROD, CONNECTING	2	
9	09263-24L01	.BEARING (24X32X20)	2	
10	09181-24001	.WASHER (24X31.5X1)	4	
11	12211-96311	.PIN, CRANK UPPER	1	
12	12211-96311	.PIN, CRANK LOWER	1	
13	12221-91L30	.CRANKSHAFT, UPPER	1	
14	12232-91L30	.WHEEL, MIDDLE UNDER	1	
15	12231-91L30	.WHEEL, MIDDLE UPPER	1	
16	09160-50002	.WASHER (50X77X1)	1	
17	12240-91L30	.CRANKSHAFT, UNDER	1	
18	09262-30L02	.BEARING (30X72X19)	2	
19	09262-30L01	.BEARING (30X72X19)	1	
20	09289-39L01	.OIL SEAL (38X72X12)	1	
21	09283-30L03	OIL SEAL (30X55X10)	1	
22	09283-30L02	OIL SEAL (30X55X8)	1	
23	09282-15L01	OIL SEAL (14.7X25X6.5)	2	
24	12100-91L00-050	PISTON/RING SET (OS:0.50)	2	OPT
25	12140-96351-050	.RING SET, PISTON (OS:0.50)	2	OPT

FIG.6

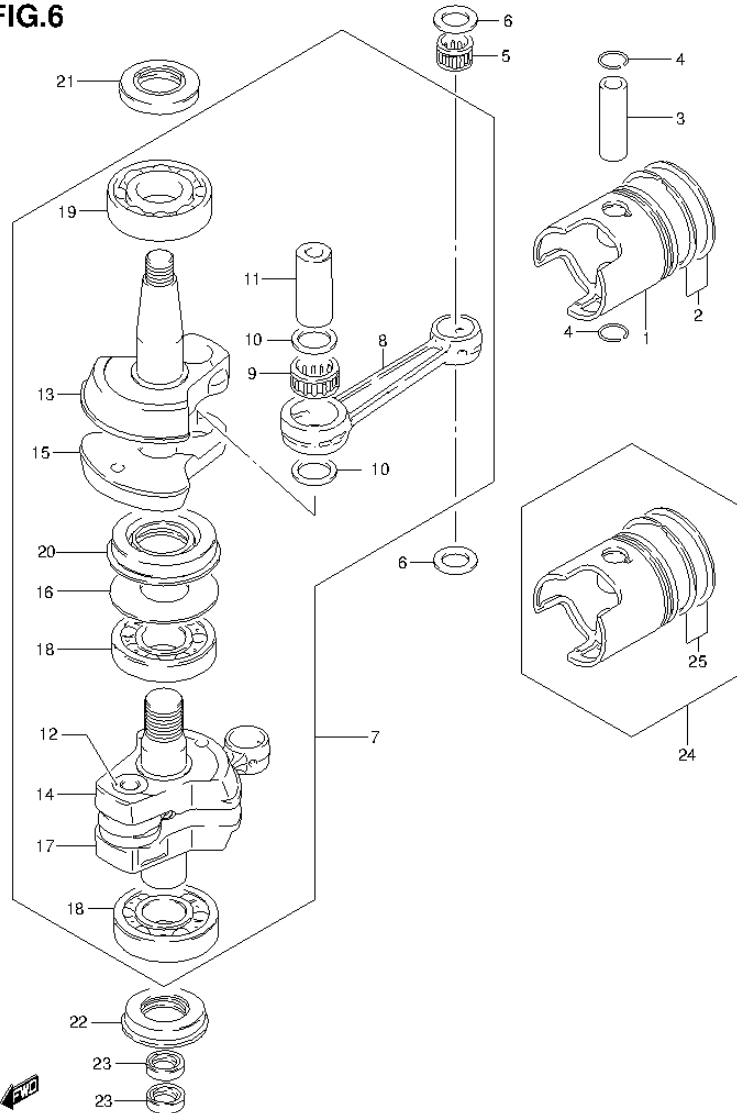


FIG.6 (1-B-7) CRANKSHAFT (DT30R P40)

REF NO.	PART NO.	DESCRIPTION	Q'TY	REMARKS
1	12110-91L00-0B0	PISTON	2	
2	12140-91L00	RING SET, PISTON	2	
3	12151-91L00	PIN, PISTON	2	
4	09381-18002	SNAP RING	4	
5	09263-18L01	BEARING (18X23X22)	2	
6	09169-18001	WASHER	4	
7	12200-91L40	CRANKSHAFT ASSY	1	<-12200-91L30
8	12161-91L00	.ROD, CONNECTING	2	
9	09263-24L01	.BEARING (24X32X20)	2	
10	09181-24001	.WASHER (24X31.5X1)	4	
11	12211-96311	.PIN, CRANK UPPER	1	
12	12211-96311	.PIN, CRANK LOWER	1	
13	12221-91L30	.CRANKSHAFT, UPPER	1	
14	12232-91L30	.WHEEL, MIDDLE UNDER	1	
15	12231-91L30	.WHEEL, MIDDLE UPPER	1	
16	09160-50002	.WASHER (50X77X1)	1	
17	12240-91L30	.CRANKSHAFT, UNDER	1	
18	09262-30L02	.BEARING (30X72X19)	2	
19	09262-30L01	.BEARING (30X72X19)	1	
20	09289-39L01	.OIL SEAL (38X72X12)	1	
21	09283-30L03	OIL SEAL (30X55X10)	1	
22	09283-30L02	OIL SEAL (30X55X8)	1	
23	09282-15L01	OIL SEAL (14.7X25X6.5)	2	
24	12100-91L00-050	PISTON/RING SET (OS:0.50)	2	OPT
25	12140-96351-050	.RING SET, PISTON (OS:0.50)	2	OPT

FIG.7

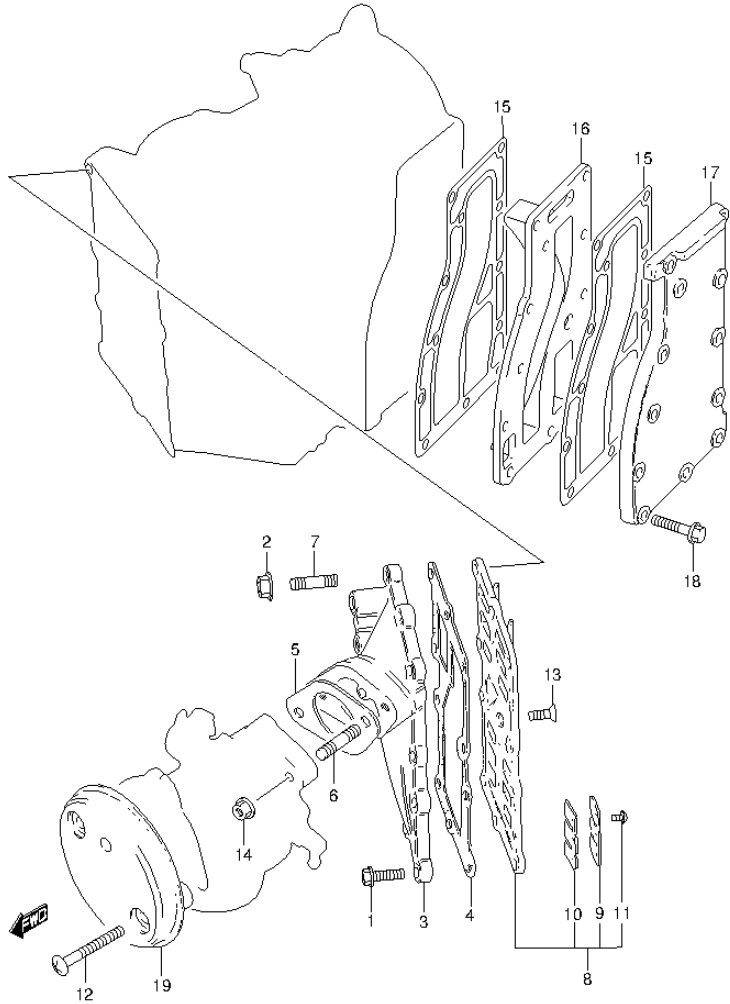
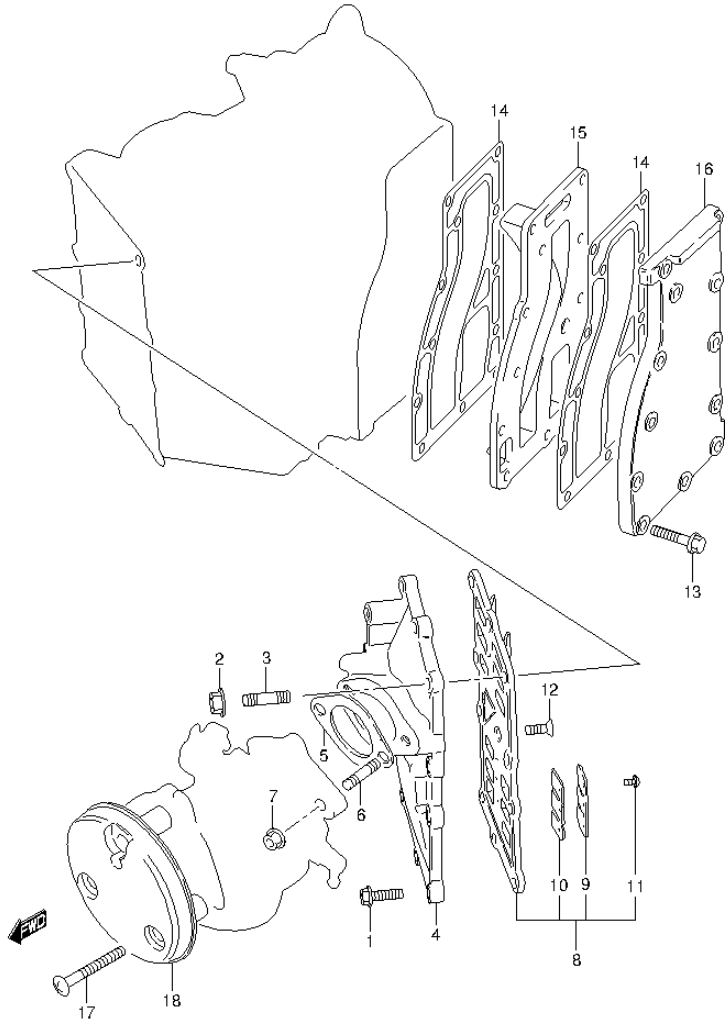


FIG.7 (1-B-8) INLET CASE (DT25K P36)

REF NO.	PART NO.	DESCRIPTION	Q'TY	REMARKS
1	01550-06257	BOLT	8	
2	08316-10067	NUT	2	
3	12481-91L10	CASE, INLET (KEROSENE)	1	
4	13121-96400	GASKET, INLET CASE	1	
5	13125-95210	GASKET, CARBURETOR	1	
6	01411-0820A	STUD BOLT	1	
7	01411-0620A	STUD BOLT	2	
8	13150-91L00	VALVE ASSY, REED	1	
9	13152-91L00	.STOPPER, REED VALVE	4	
10	13153-91L00	.VALVE, REED	4	
11	02112-3306A	.SCREW	12	
12	02142-06357	SCREW	2	
13	02122-0616A	SCREW	1	
14	08316-10087	NUT	2	
15	14151-96311	GASKET, EXHAUST COVER	2	
16	14131-91L10	PLATE, EXHAUST	1	
17	14141-91L10	COVER, EXHAUST	1	
18	01550-06307	BOLT	12	
19	13811-96351	CASE, SILENCER	1	

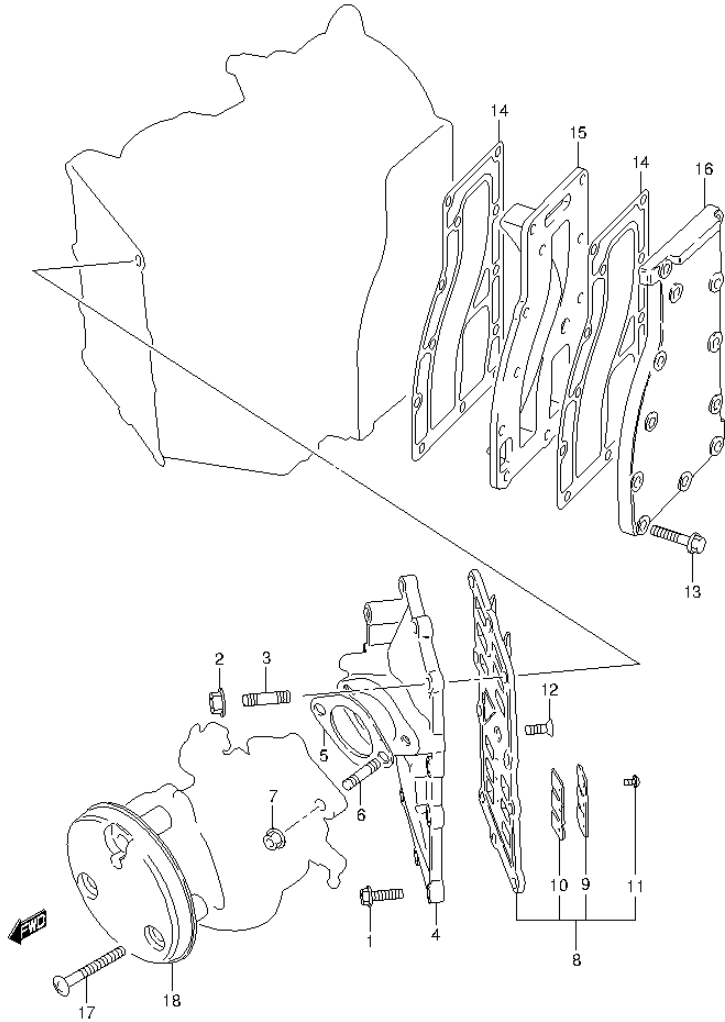
**FIG.8**



**FIG.8 (1-B-9) INLET CASE (DT30 P40)**

REF NO.	PART NO.	DESCRIPTION	Q'TY	REMARKS
1	01550-06257	BOLT	8	
2	08316-10067	NUT	2	
3	01411-0620A	STUD BOLT	2	
4	12481-96380-0EP	CASE, INLET (BLACK)	1	
5	13125-93010	GASKET, CARBURETOR	1	
6	01411-0820A	STUD BOLT	2	
7	08316-10087	NUT	2	
8	13150-91L00	VALVE ASSY, REED	1	
9	13152-91L00	.STOPPER, REED VALVE	4	
10	13153-91L00	.VALVE, REED	4	
11	02112-3306A	.SCREW	12	
12	02122-0616A	SCREW	1	
13	01550-06307	BOLT	12	
14	14151-96311	GASKET, EXHAUST COVER	2	
15	14131-91L10	PLATE, EXHAUST	1	
16	14141-91L10	COVER, EXHAUST	1	
17	02142-06407	SCREW	3	
18	13811-96300	CASE, SILENCER	1	

**FIG.9**



**FIG.9 (1-B-10) INLET CASE (DT30R P40)**

REF NO.	PART NO.	DESCRIPTION	Q'TY	REMARKS
1	01550-06257	BOLT	8	
2	08316-10067	NUT	2	
3	01411-0620A	STUD BOLT	2	
4	12481-96380-0EP	CASE, INLET (BLACK)	1	
5	13125-93010	GASKET, CARBURETOR	1	
6	01411-0820A	STUD BOLT	2	
7	08316-10087	NUT	2	
8	13150-91L00	VALVE ASSY, REED	1	
9	13152-91L00	.STOPPER, REED VALVE	4	
10	13153-91L00	.VALVE, REED	4	
11	02112-3306A	.SCREW	12	
12	02122-0616A	SCREW	1	
13	01550-06307	BOLT	12	
14	14151-96311	GASKET, EXHAUST COVER	2	
15	14131-91L10	PLATE, EXHAUST	1	
16	14141-91L10	COVER, EXHAUST	1	
17	02142-06407	SCREW	3	
18	13811-96300	CASE, SILENCER	1	



FIG.10

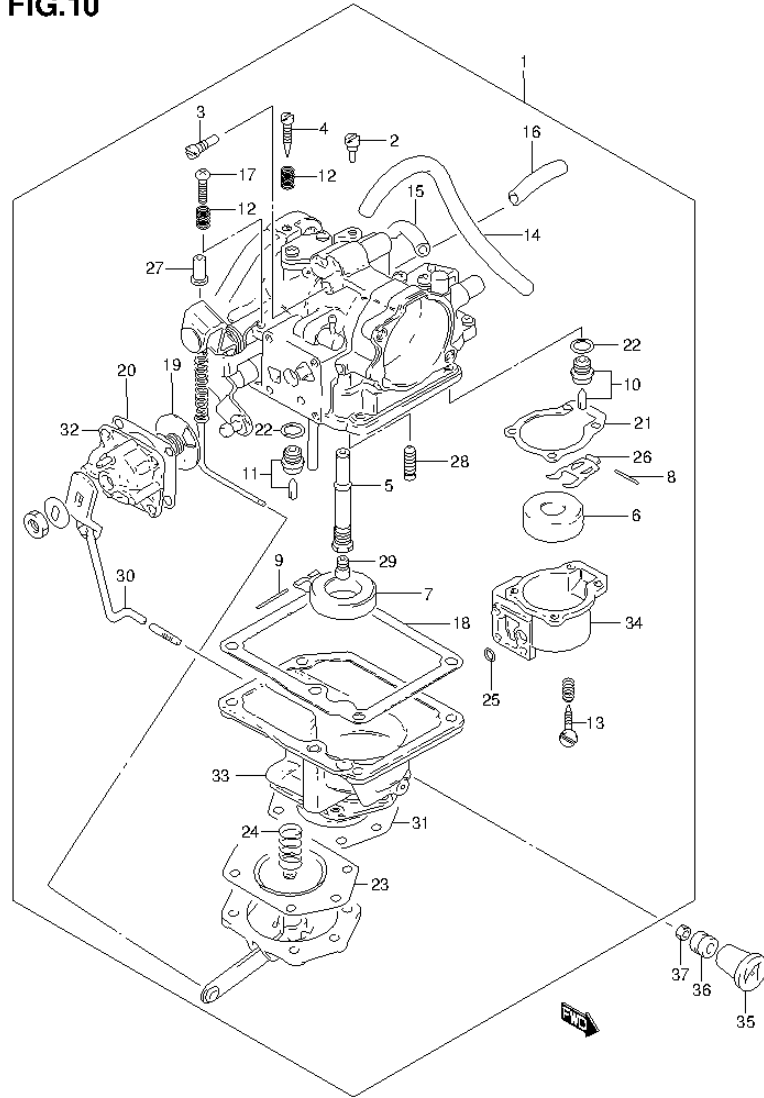


FIG.10 (1-B-11) CARBURETOR (DT25K P36)

REF NO.	PART NO.	DESCRIPTION	Q'TY	REMARKS
1	13200-96461	CARBURETOR ASSY	1	
2	09492-50008	.JET, PILOT (50)	1	FOR GASOLINE
3	09492-30017	.JET, PILOT (150)	1	FOR KEROSENE
4	13269-98100	.SCREW, PILOT	1	
5	13235-94350	.NOZZLE	1	
6	13270-94350	.FLOAT	1	FOR GASOLINE
7	13250-93012	.FLOAT	1	FOR KEROSENE
8	13254-98410	.PIN	1	FOR GASOLINE
9	13254-98300	.PIN	1	FOR KEROSENE
10	13370-94350	.VALVE ASSY, NEEDLE	1	FOR GASOLINE
11	13370-28110	.VALVE ASSY, NEEDLE	1	FOR KEROSENE
12	13268-96111	.SPRING, STOP SCREW	3	
13	13616-93900	ADJUSTER	2	
14	13651-95300	.HOSE	1	L:175->125
15	13651-94350	.HOSE	1	L:175->28,50
16	13651-94350	.HOSE	1	L:175->28
17	13534-96300	.SCREW, THROTTLE STOP	1	
18	13245-94350	.GASKET, FLOAT CHAMBER	1	FOR KEROSENE
19	13415-94350	.DISC ASSY	1	
20	13418-94360	.GASKET	1	
21	13265-94360	.GASKET, FLOAT CHAMBER	1	FOR GASOLINE
22	13392-58600	.PACKING, NEEDLE VALVE SEAT	2	
23	13450-94350	.MEMBRANE ASSY	1	
24	13441-94350	.SPRING	1	
25	13521-78100	.O RING	1	
26	13282-94350	.ARM	1	
27	13461-94350	.NUT	1	
28	13443-94350	.VALVE ASSY	1	
29	09491-29010	.JET, MAIN (147.5)	1	
30	13580-96351	.LEVER ASSY, STARTER	1	
31	13446-94360	.GASKET	1	
32	13419-94400	.COVER, DISK	1	
33	13245-96400	.CHAMBER, FLOAT	1	FOR KEROSENE
34	13261-95200	.CHAMBER ,FLOAT	1	FOR GASOLINE



FIG.11

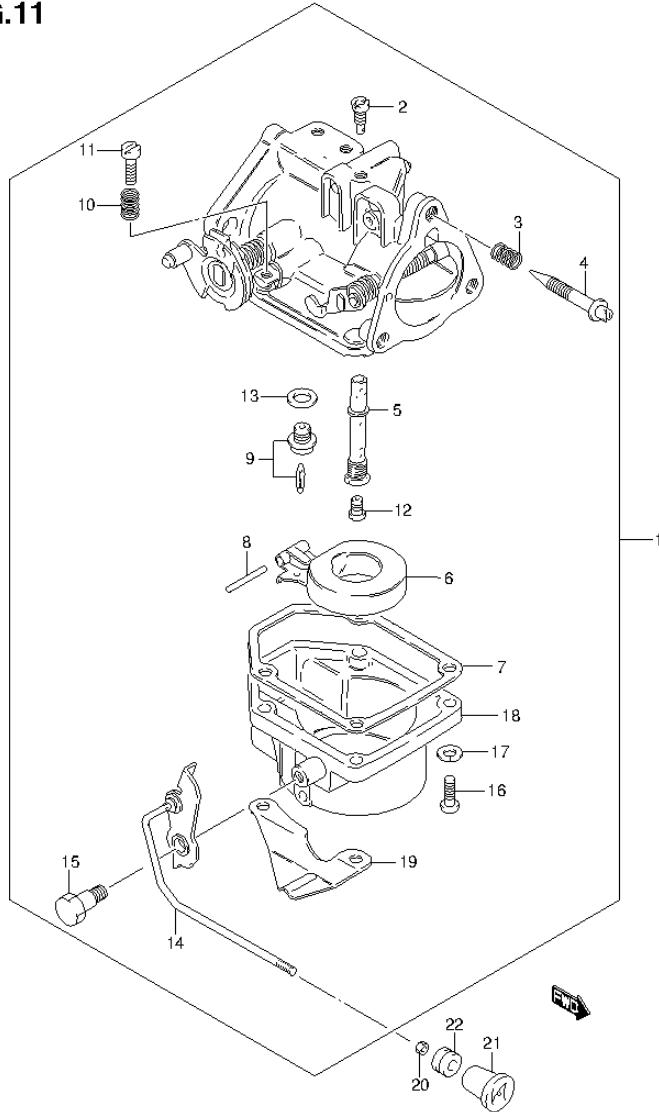


FIG.11 (1-B-13) CARBURETOR (DT30 P40)

REF NO.	PART NO.	DESCRIPTION	Q'TY	REMARKS
1	13200-964J0	CARBURETOR ASSY	1	
2	09492-70001	.JET, PILOT (70)	1	
3	13271-93311	.SPRING, AIR SCREW	1	
4	13269-93311	.SCREW, PILOT AIR	1	
5	13235-94350	.NOZZLE	1	
6	13250-93012	.FLOAT	1	
7	13251-93320	.GASKET, FLOAT CHAMBER	1	
8	13254-98300	.PIN, FLOAT	1	
9	13370-28110	.VALVE ASSY, NEEDLE	1	
10	13268-96111	.SPRING, THROTTLE STOP	1	
11	13534-96300	.SCREW, THROTTLE STOP	1	
12	09491-32012	.JET, MAIN (160)	1	
13	13392-58600	.GASKET, VALVE SEAT	1	
14	13681-96301	.LEVER, CHOKE	1	
15	13682-96300	.BOLT	1	
16	02112-05207	.SCREW	4	
17	08321-0105A	.WASHER	4	
18	13240-94620	.CHAMBER, FLOAT	1	
19	13694-96300	.PLATE, SPRING	1	
20	09140-04007	NUT	1	
21	13631-93501	KNOB, STARTER	1	
22	09320-04009	BUSH	1	

FIG.12

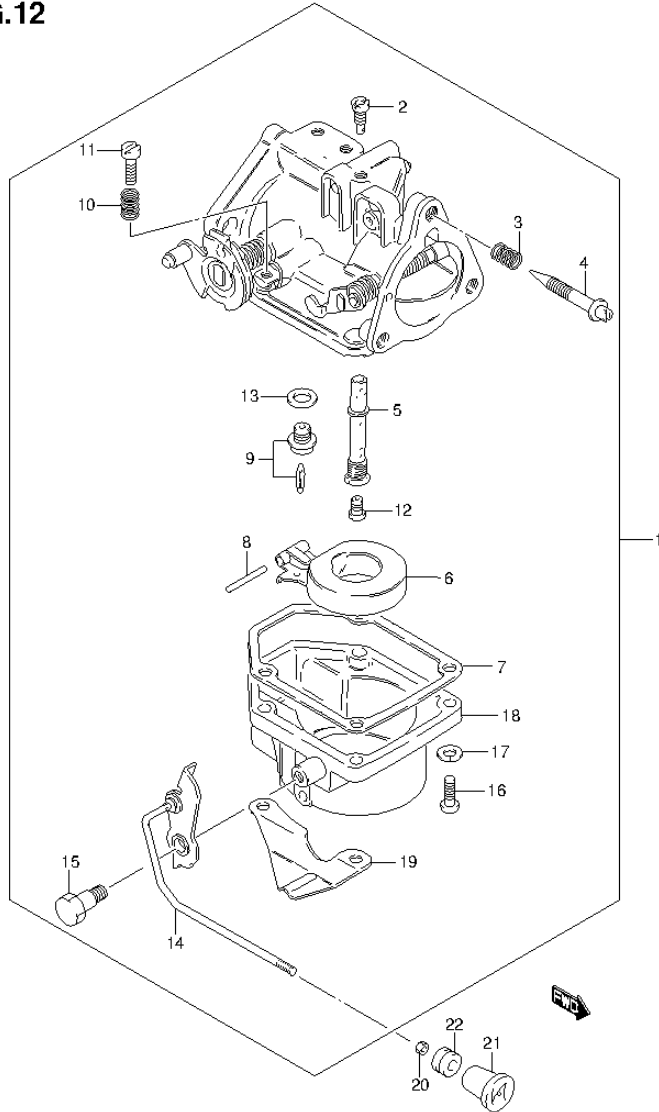


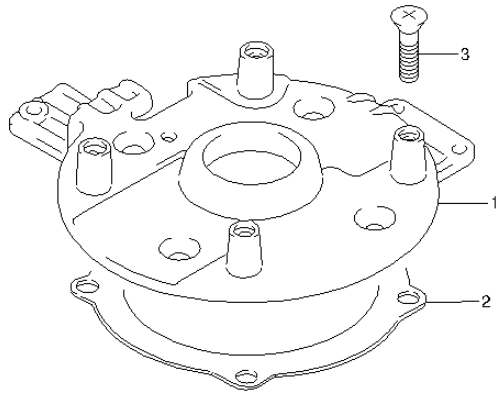
FIG.12 (1-B-14) CARBURETOR (DT30R P40)

REF NO.	PART NO.	DESCRIPTION	Q'TY	REMARKS
1	13200-964J0	CARBURETOR ASSY	1	
2	09492-70001	.JET, PILOT (70)	1	
3	13271-93311	.SPRING, AIR SCREW	1	
4	13269-93311	.SCREW, PILOT AIR	1	
5	13235-94350	.NOZZLE	1	
6	13250-93012	.FLOAT	1	
7	13251-93320	.GASKET, FLOAT CHAMBER	1	
8	13254-98300	.PIN, FLOAT	1	
9	13370-28110	.VALVE ASSY, NEEDLE	1	
10	13268-96111	.SPRING, THROTTLE STOP	1	
11	13534-96300	.SCREW, THROTTLE STOP	1	
12	09491-32012	.JET, MAIN (160)	1	
13	13392-58600	.GASKET, VALVE SEAT	1	
14	13681-96301	.LEVER, CHOKE	1	
15	13682-96300	.BOLT	1	
16	02112-05207	.SCREW	4	
17	08321-0105A	.WASHER	4	
18	13240-94620	.CHAMBER, FLOAT	1	
19	13694-96300	.PLATE, SPRING	1	
20	09140-04007	NUT	1	
21	13631-93501	KNOB, STARTER	1	
22	09320-04009	BUSH	1	

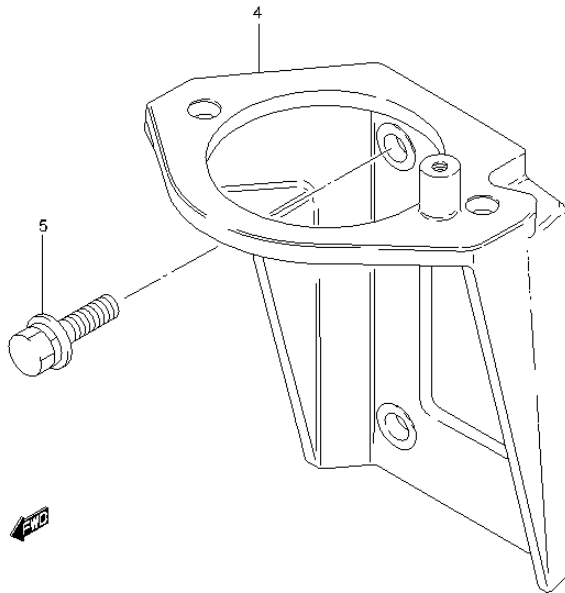
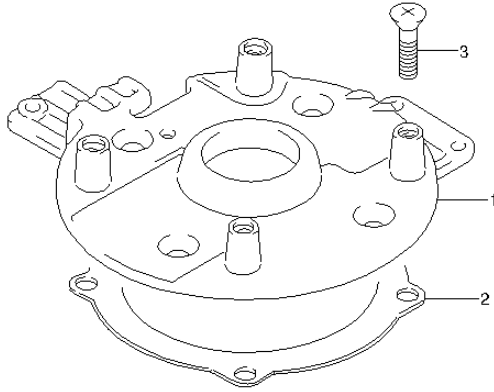
FIG.13

FIG.13 (1-B-15) OIL SEAL HOUSING (DT25K P36)

REF NO.	PART NO.	DESCRIPTION	Q'TY	REMARKS
1	11411-91L00	HOUSING, UPPER OIL SEAL	1	
2	11413-96310	GASKET, UPPER OIL SEAL HOUSING	1	
3	02122-06167	SCREW	4	



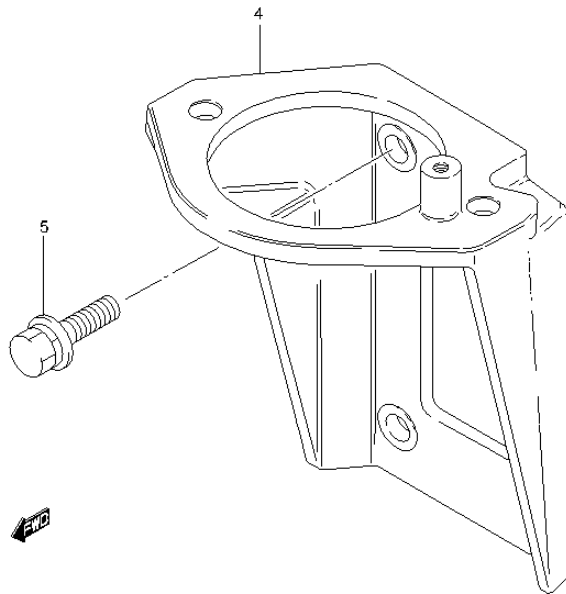
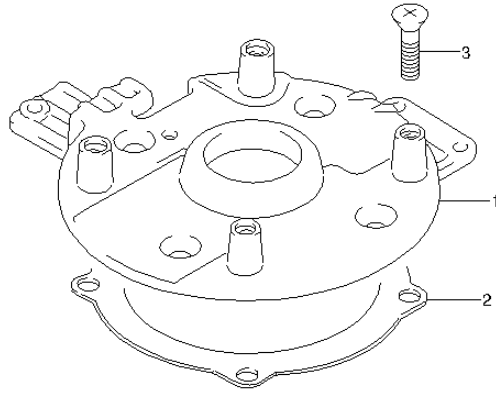
**FIG.14**



**FIG.14 (1-C-2) OIL SEAL HOUSING (DT30 P40)**

REF NO.	PART NO.	DESCRIPTION	Q'TY	REMARKS
1	11411-91L00	HOUSING, UPPER OIL SEAL	1	
2	11413-96310	GASKET, UPPER OIL SEAL HOUSING	1	
3	02122-06167	SCREW	4	
4	31911-91L00	BRACKET, STARTER	1	W/ELECTRIC STARTER
5	01580-08257	BOLT	4	W/ELECTRIC STARTER

**FIG.15**



**FIG.15 (1-C-3) OIL SEAL HOUSING (DT30R P40)**

REF NO.	PART NO.	DESCRIPTION	Q'TY	REMARKS
1	11411-91L00	HOUSING, UPPER OIL SEAL	1	
2	11413-96310	GASKET, UPPER OIL SEAL HOUSING	1	
3	02122-06167	SCREW	4	
4	31911-91L00	BRACKET, STARTER	1	
5	01580-08257	BOLT	4	

FIG.16

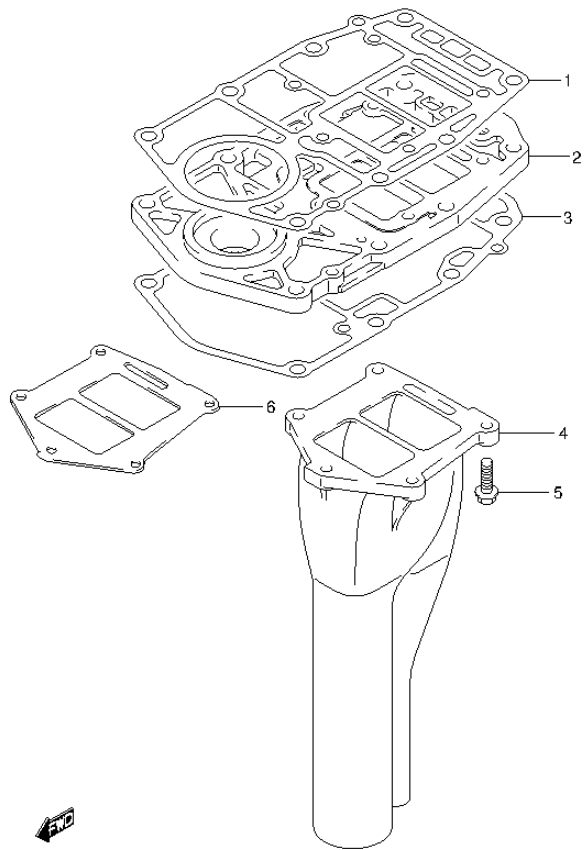


FIG.16 (1-C-4) EXHAUST TUBE (DT25K P36)

REF NO.	PART NO.	DESCRIPTION	Q'TY	REMARKS
1	11433-91L00	GASKET, LOWER OIL SEAL HOUSING	1	
2	11431-91L00	HOUSING, UNDER OIL SEAL	1	
3	52113-96330	GASKET, DRIVE SHAFT HOUSING	1	
4	14211-91L00	TUBE, EXHAUST	1	
5	09116-06234	BOLT (6X35)	5	
6	14212-91L00	GASKET, EXHAUST TUBE	1	



FIG.17

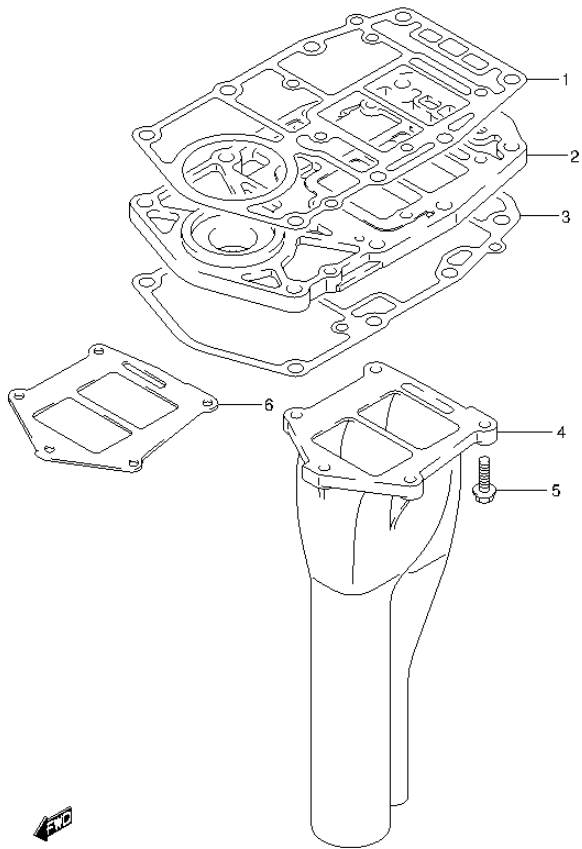


FIG.17 (1-C-5) EXHAUST TUBE (DT30 P40)

REF NO.	PART NO.	DESCRIPTION	Q'TY	REMARKS
1	11433-91L00	GASKET, LOWER OIL SEAL HOUSING	1	
2	11431-91L00	HOUSING, UNDER OIL SEAL	1	
3	52113-96330	GASKET, DRIVE SHAFT HOUSING	1	
4-1	14211-91L10	TUBE, EXHAUST	1	W/TRANSOM(S)
4-2	14211-91L00	TUBE, EXHAUST	1	W/TRANSOM(L)
5	09116-06234	BOLT (6X35)	5	
6	14212-91L00	GASKET, EXHAUST TUBE	1	

FIG.18

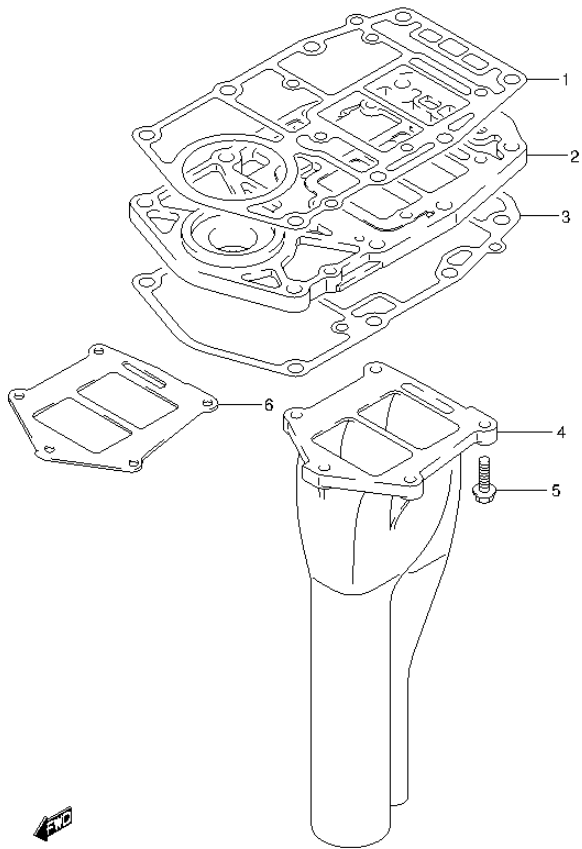
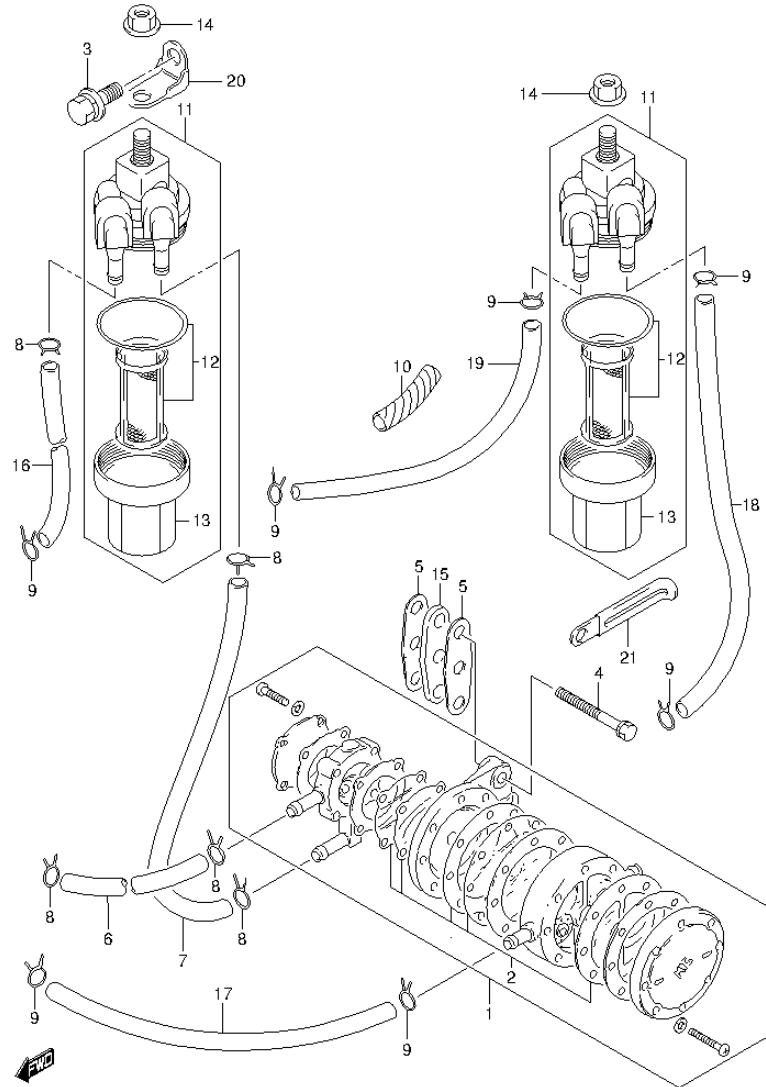


FIG.18 (1-C-6) EXHAUST TUBE (DT30R P40)

REF NO.	PART NO.	DESCRIPTION	Q'TY	REMARKS
1	11433-91L00	GASKET, LOWER OIL SEAL HOUSING	1	
2	11431-91L00	HOUSING, UNDER OIL SEAL	1	
3	52113-96330	GASKET, DRIVE SHAFT HOUSING	1	
4-1	14211-91L10	TUBE, EXHAUST	1	W/TRANSOM(S)
4-2	14211-91L00	TUBE, EXHAUST	1	W/TRANSOM(L)
5	09116-06234	BOLT (6X35)	5	
6	14212-91L00	GASKET, EXHAUST TUBE	1	

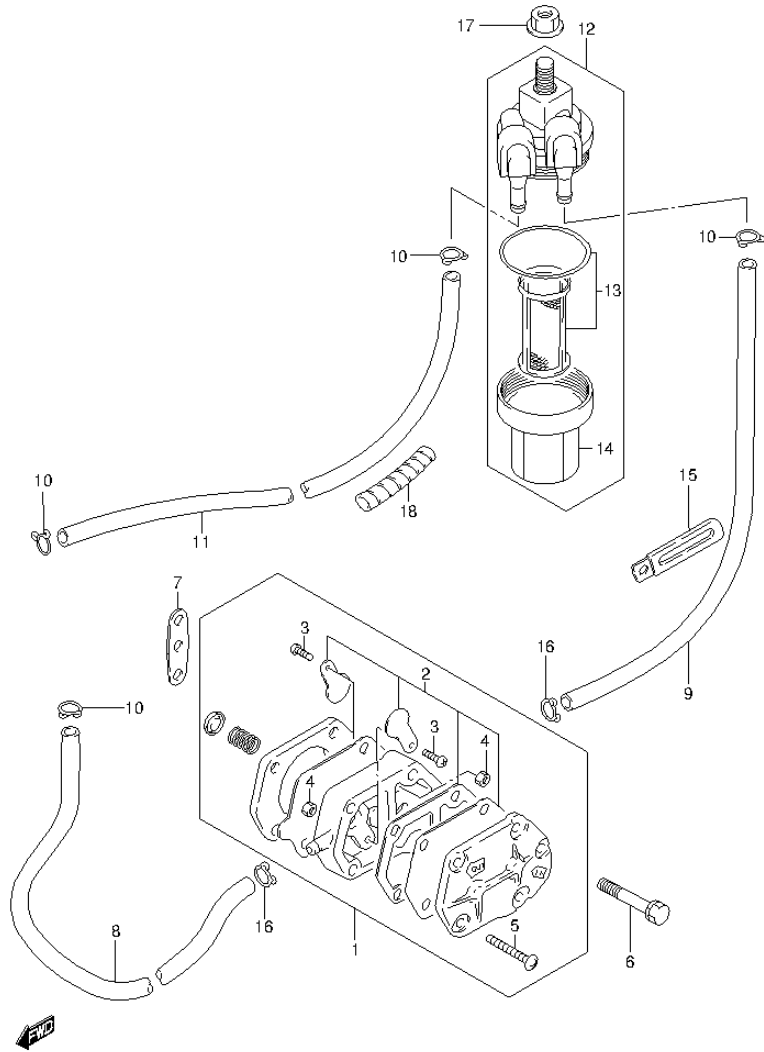
**FIG.19**



**FIG.19 (1-C-7) FUEL PUMP (DT25K P36)**

REF NO.	PART NO.	DESCRIPTION	Q'TY	REMARKS
1	15100-9436V	PUMP ASSY, FUEL	1	
2	15170-94460	.DIAPHRAGM SET	1	
3	01580-08207	BOLT	1	
4	01570-06257	BOLT	2	
5	15321-96300	GASKET	2	
6	15211-91J00-180	HOSE, FUEL (PUMP TO CARB)	1	FOR GASOLINE
7	15211-91J00-170	HOSE, FUEL (FILTER TO PUMP)	1	FOR GASOLINE
8	09401-08410	CLIP	5	
9	59412-91J00	CLIP	7	
10	16911-92E20	PROTECTOR	2	L:540->90
11	15410-94400	FILTER ASSY, FUEL	2	
12	15430-87D10	.ELEMENT SET	2	
13	15413-87D10	.CUP	2	
14	08316-10087	NUT	2	
15	15322-96300	INSULATOR, FUEL PUMP	1	
16	09359-50823-600	HOSE (5X8.2X600)	1	FOR GASOLINE L:600->230 CONN TO FILTER
17	09355-50108-300	HOSE (5X10X300)	1	FOR KEROSENE PUMP TO CARB
18	09355-50108-150	HOSE (5X10X150)	1	FOR KEROSENE FILTER TO PUMP
19	09355-50108-300	HOSE (5X10X300)	1	FOR KEROSENE CONN TO FILTER
20	15420-96300	BRACKET, FUEL FILTER	1	
21	29404-93J10	CLAMP	1	

FIG.20



DT25\_30\_P40\_014\_020  
FUEL PUMP

FIG.20 (1-C-8) FUEL PUMP (DT30 P40)

REF NO.	PART NO.	DESCRIPTION	Q'TY	REMARKS
1	15100-94311	PUMP ASSY, FUEL	1	
2	15170-94320	.DIAPHRAGM SET	1	
3	15183-94301	.SCREW	2	
4	15186-94300	.NUT	2	
5	15851-94300	.SCREW	3	
6	01547-06407	BOLT	2	
7	15321-99710	GASKET, FUEL PUMP	1	
8	15211-91J00-195	HOSE, FUEL (PUMP TO CARB)	1	
9	15211-91J00-195	HOSE, FUEL (FILTER TO PUMP)	1	
10	09401-08410	CLIP	4	
11	15211-91J00-320	HOSE, FUEL (CONN TO FILTER)	1	
12	15410-94400	FILTER ASSY, FUEL	1	
13	15430-87D10	.ELEMENT SET	1	
14	15413-87D10	.CUP	1	
15	29404-93J10	CLAMP (L:65)	1	
16	15331-94300	CLIP	2	
17	08316-10087	NUT	1	
18	16911-92E20	PROTECTOR, FUEL HOSE	1	L:540->40

DT25\_30\_P40\_014

FIG.21

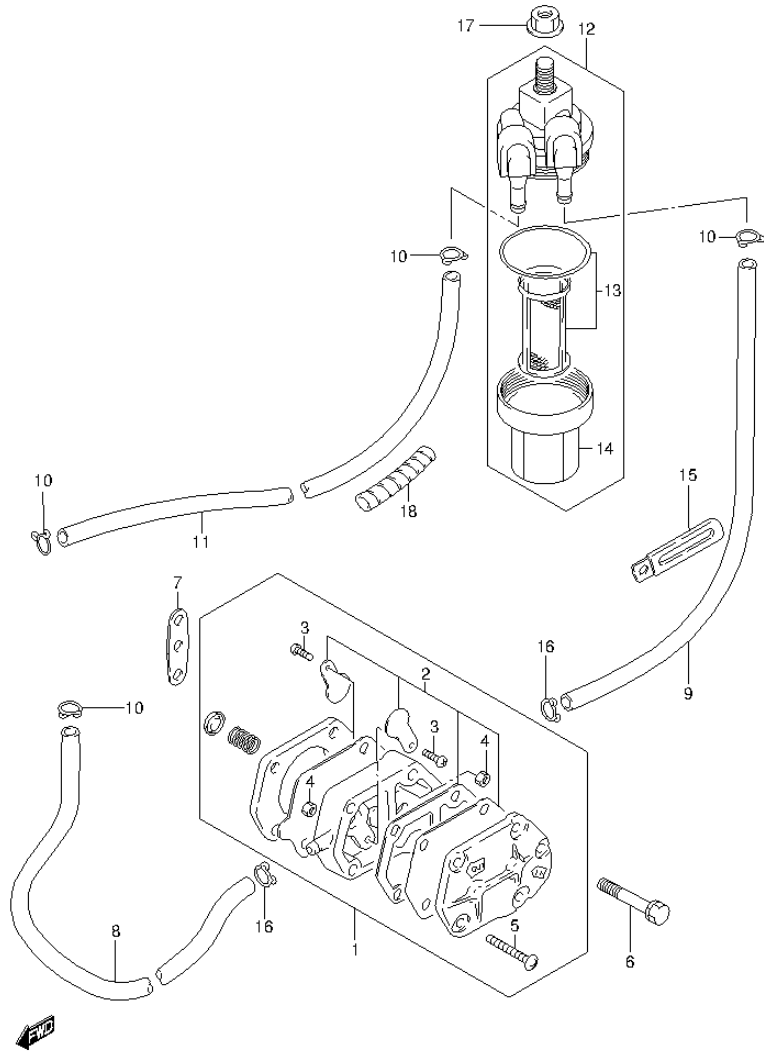


FIG.21 (1-C-9) FUEL PUMP (DT30R P40)

REF NO.	PART NO.	DESCRIPTION	Q'TY	REMARKS
1	15100-94311	PUMP ASSY, FUEL	1	
2	15170-94320	.DIAPHRAGM SET	1	
3	15183-94301	.SCREW	2	
4	15186-94300	.NUT	2	
5	15851-94300	.SCREW	3	
6	01547-06407	BOLT	2	
7	15321-99710	GASKET, FUEL PUMP	1	
8	15211-91J00-195	HOSE, FUEL (PUMP TO CARB)	1	
9	15211-91J00-195	HOSE, FUEL (FILTER TO PUMP)	1	
10	09401-08410	CLIP	4	
11	15211-91J00-320	HOSE, FUEL (CONN TO FILTER)	1	
12	15410-94400	FILTER ASSY, FUEL	1	
13	15430-87D10	.ELEMENT SET	1	
14	15413-87D10	.CUP	1	
15	29404-93J10	CLAMP (L:65)	1	
16	15331-94300	CLIP	2	
17	08316-10087	NUT	1	
18	16911-92E20	PROTECTOR, FUEL HOSE	1	L:540->40

FIG.22

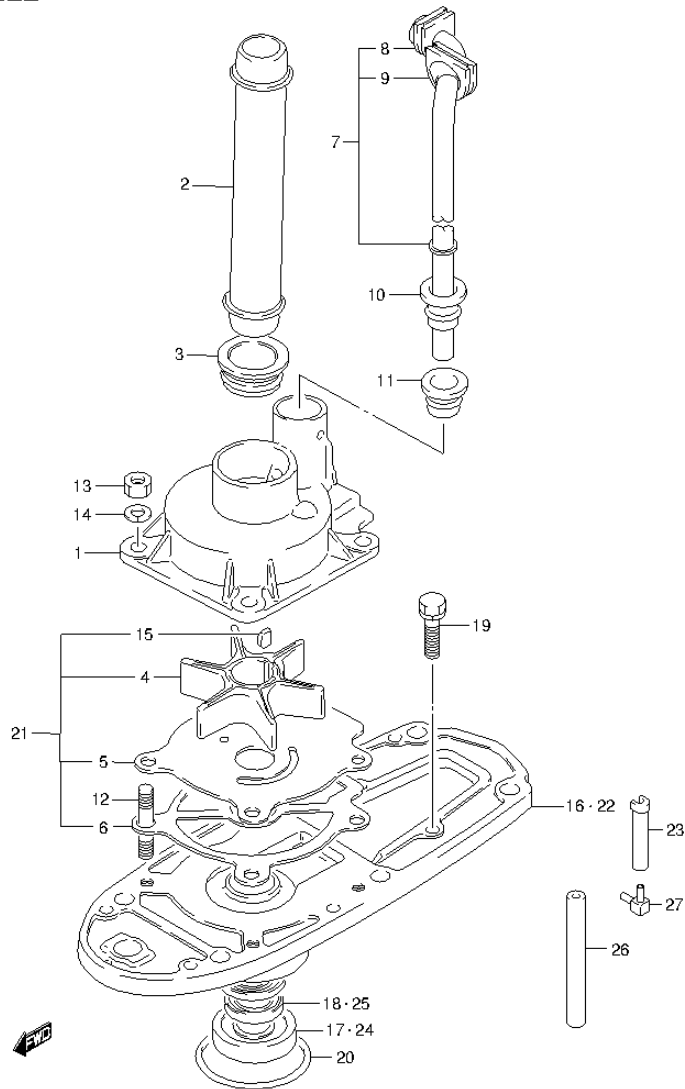


FIG.22 (1-C-10) WATER PUMP (DT25K P36)

REF NO.	PART NO.	DESCRIPTION	Q'TY	REMARKS
1	17410-92L00	CASE, WATER PUMP	1	
2	17431-91L00	TUBE, WATER PUMP SEAL (L)	1	
3	17432-96300	GROMMET, SEAL TUBE	2	
4	17461-964L0	IMPELLER, WATER PUMP	1	
5	17471-92L00	PANEL, UNDER	1	
6	17472-96303	GASKET, PUMP CASE, LOWER	1	
7	17560-91L00	TUBE, WATER (L)	1	
8	17563-96301	.GROMMET, UPPER (1)	1	
9	17564-96301	.GROMMET, UPPER (2)	1	
10	17565-96300	GROMMET, MIDDLE	1	
11	17566-96302	GROMMET, LOWER	1	
12	09108-06069	STUD BOLT	4	
13	29141-93J00	NUT	4	
14	29162-93J00	LOCK WASHER	4	
15	09420-04006	KEY	1	
16	56130-91L10-0EP	HOUSING, DRIVE SHAFT BEARING (BLACK)	1	
17	09265-17002	.BEARING (17X40X17.25)	1	
18	09289-17L01	.OIL SEAL (17X30X9)	1	
19	09116-06227	BOLT (6X20)	2	
20	09280-50005	O RING (D:3.6,ID:43.2)	1	
21	17400-94412	KIT, WATER PUMP REPAIR	1	OPT
22	56130-96320-0EP	HOUSING, DRIVE SHAFT BEARING (BLACK)	1	OPT
23	17453-95D00	.DRAIN, WATER INLET	1	OPT
24	09265-17002	.BEARING (17X40X17.25)	1	OPT
25	09289-17004	.OIL SEAL (17X30X9)	1	OPT
26	09355-40805-600	.HOSE (4X8X600)	1	OPT
27	09367-04005	.JOINT	1	OPT

FIG.23

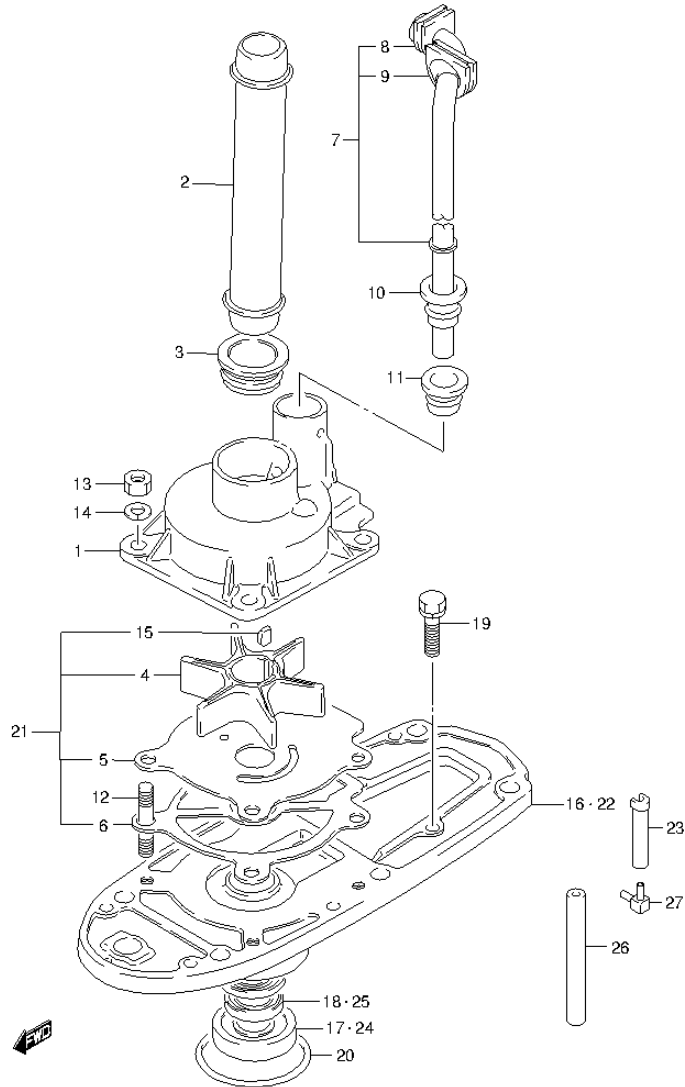


FIG.23 (1-C-11) WATER PUMP (DT30 P40)

REF NO.	PART NO.	DESCRIPTION	Q'TY	REMARKS
1	17410-92L00	CASE, WATER PUMP	1	
2-1	17431-91L10	TUBE, WATER PUMP SEAL (S)	1	W/TRANSOM(S)
2-2	17431-91L00	TUBE, WATER PUMP SEAL (L)	1	W/TRANSOM(L)
3	17432-96300	GROMMET, SEAL TUBE	2	
4	17461-964L0	IMPELLER, WATER PUMP	1	
5	17471-92L00	PANEL, UNDER	1	
6	17472-96303	GASKET, PUMP CASE, LOWER	1	
7-1	17560-91L10	TUBE, WATER (S)	1	W/TRANSOM(S)
7-2	17560-91L00	TUBE, WATER (L)	1	W/TRANSOM(L)
8	17563-96301	.GROMMET, UPPER (1)	1	
9	17564-96301	.GROMMET, UPPER (2)	1	
10	17565-96300	GROMMET, MIDDLE	1	
11	17566-96302	GROMMET, LOWER	1	
12	09108-06069	STUD BOLT	4	
13	29141-93J00	NUT	4	
14	29162-93J00	LOCK WASHER	4	
15	09420-04006	KEY	1	
16	56130-91L10-0EP	HOUSING, DRIVE SHAFT BEARING (BLACK)	1	
17	09265-17002	.BEARING (17X40X17.25)	1	
18	09289-17L01	.OIL SEAL (17X30X9)	1	
19	09116-06227	BOLT (6X20)	2	
20	09280-50005	O RING (D:3.6, ID:43.2)	1	
21	17400-94412	KIT, WATER PUMP REPAIR	1	OPT
22	56130-96320-0EP	HOUSING, DRIVE SHAFT BEARING (BLACK)	1	OPT
23	17453-95D00	.DRAIN, WATER INLET	1	OPT
24	09265-17002	.BEARING (17X40X17.25)	1	OPT
25	09289-17004	.OIL SEAL (17X30X9)	1	OPT
26	09355-40805-600	.HOSE (4X8X600)	1	OPT L:600->130
27	09367-04005	.JOINT	1	OPT

FIG.24

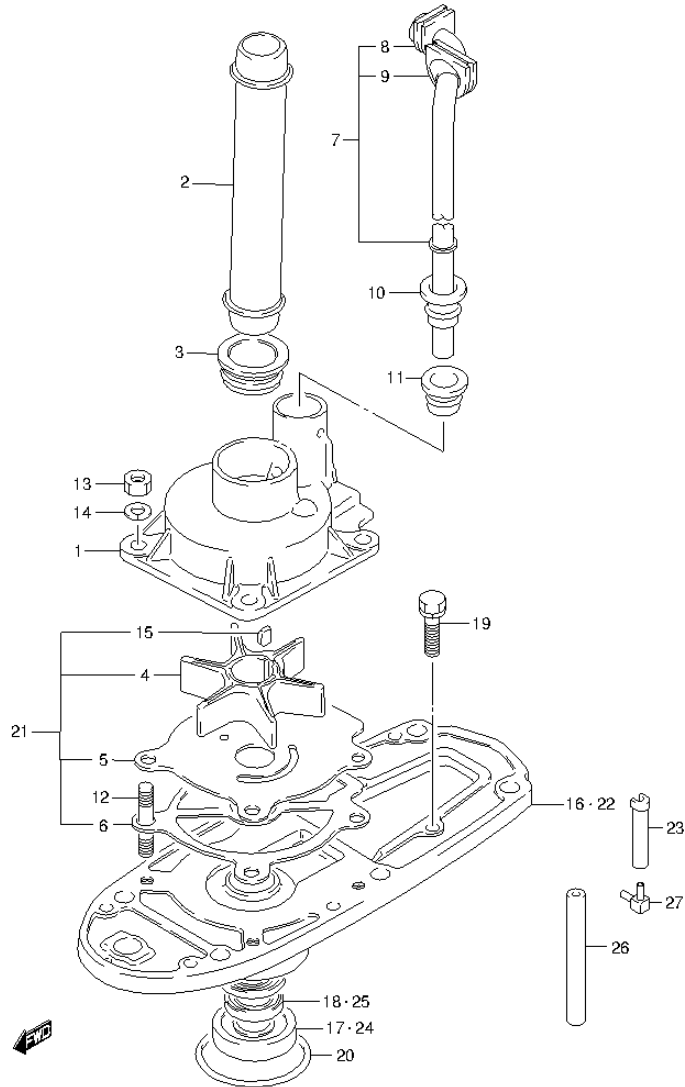


FIG.24 (1-C-12) WATER PUMP (DT30R P40)

REF NO.	PART NO.	DESCRIPTION	Q'TY	REMARKS
1	17410-92L00	CASE, WATER PUMP	1	
2-1	17431-91L10	TUBE, WATER PUMP SEAL (S)	1	W/TRANSOM(S)
2-2	17431-91L00	TUBE, WATER PUMP SEAL (L)	1	W/TRANSOM(L)
3	17432-96300	GROMMET, SEAL TUBE	2	
4	17461-964L0	IMPELLER, WATER PUMP	1	
5	17471-92L00	PANEL, UNDER	1	
6	17472-96303	GASKET, PUMP CASE, LOWER	1	
7-1	17560-91L10	TUBE, WATER (S)	1	W/TRANSOM(S)
7-2	17560-91L00	TUBE, WATER (L)	1	W/TRANSOM(L)
8	17563-96301	.GROMMET, UPPER (1)	1	
9	17564-96301	.GROMMET, UPPER (2)	1	
10	17565-96300	GROMMET, MIDDLE	1	
11	17566-96302	GROMMET, LOWER	1	
12	09108-06069	STUD BOLT	4	
13	29141-93J00	NUT	4	
14	29162-93J00	LOCK WASHER	4	
15	09420-04006	KEY	1	
16	56130-91L10-0EP	HOUSING, DRIVE SHAFT BEARING (BLACK)	1	
17	09265-17002	.BEARING (17X40X17.25)	1	
18	09289-17L01	.OIL SEAL (17X30X9)	1	
19	09116-06227	BOLT (6X20)	2	
20	09280-50005	O RING (D:3.6, ID:43.2)	1	
21	17400-94412	KIT, WATER PUMP REPAIR	1	OPT
22	56130-96320-0EP	HOUSING, DRIVE SHAFT BEARING (BLACK)	1	OPT
23	17453-95D00	.DRAIN, WATER INLET	1	OPT
24	09265-17002	.BEARING (17X40X17.25)	1	OPT
25	09289-17004	.OIL SEAL (17X30X9)	1	OPT
26	09355-40805-600	.HOSE (4X8X600)	1	OPT L:600->130
27	09367-04005	.JOINT	1	OPT



FIG.25

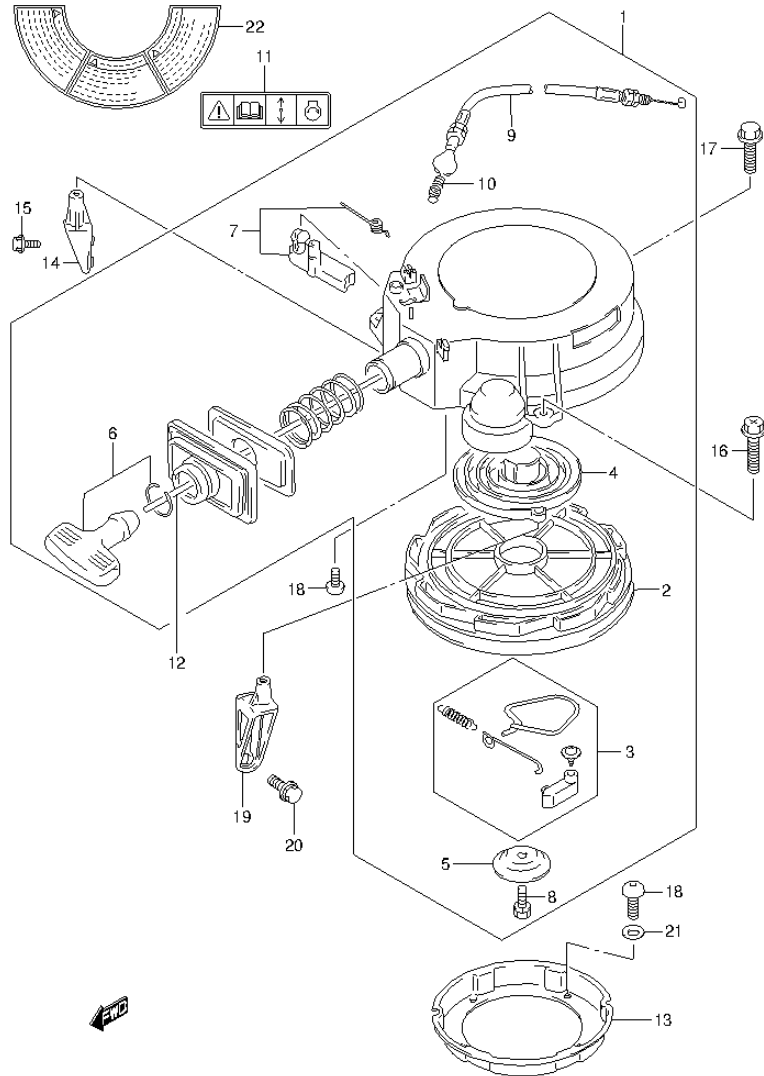
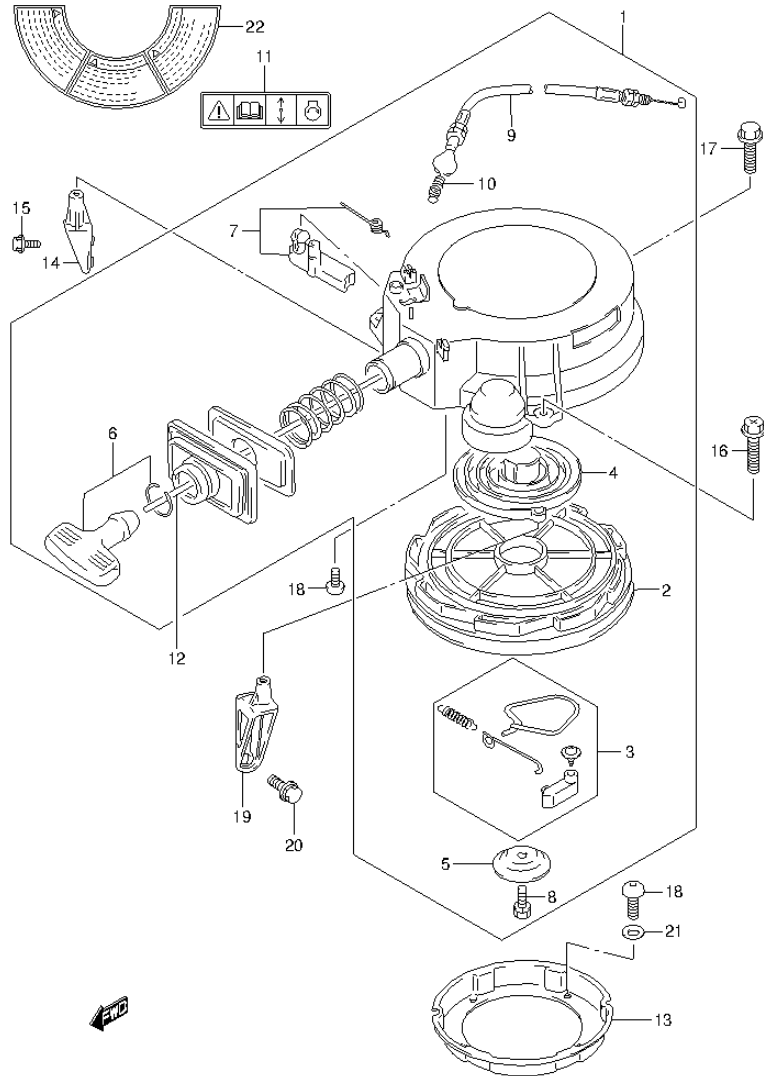


FIG.25 (1-C-13) RECOIL STARTER (DT25K P36)

REF NO.	PART NO.	DESCRIPTION	Q'TY	REMARKS
1	18100-91L00	STARTER ASSY, RECOIL	1	
2	18120-91L00	.REEL	1	
3	18130-91L00	.RATCHET SET	1	
4	18142-96300	.SPRING, SPIRAL	1	
5	18151-96310	.PLATE, FRICTION	1	
6	18210-93002	.GRIP ASSY	1	
7	18280-96320	.NSI SET	1	
8	18132-89L00	.SCREW	1	
9	18290-91L00	.CABLE, NSI	1	
10	18293-96310	.SPRING	1	
11	69711-93E10	LABEL, S.I.G.P	1	
12	99000-81159-50M	ROPE	1	OPT L:50000->1750
13	18411-96301	CUP, STARTER	1	
14	18711-91L10	BRACE, RECOIL STARTER STBD	1	
15	01550-06207	BOLT	2	BRACE STBD
16	01550-06207	BOLT	2	
17	01550-08257	BOLT	1	
18	09106-06098	BOLT (6X12)	4	
19	18721-91L10	BRACE, RECOIL STARTER PORT	1	
20	01550-08257	BOLT	2	BRACE PORT
21	09164-06015	WASHER	4	
22	61472-94J00	LABEL, RECOIL STARTER	1	

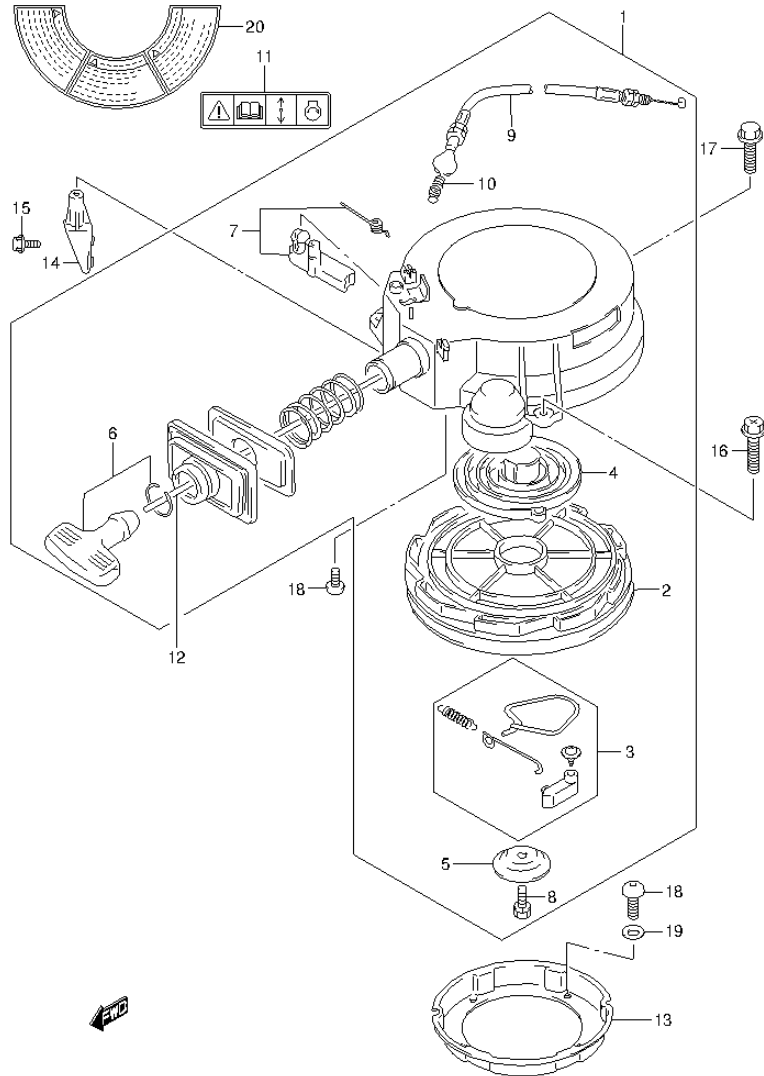
**FIG.26**



**FIG.26 (1-C-14) RECOIL STARTER (DT30 P40)**

REF NO.	PART NO.	DESCRIPTION	Q'TY	REMARKS
1	18100-91L00	STARTER ASSY, RECOIL	1	
2	18120-91L00	.REEL	1	
3	18130-91L00	.RATCHET SET	1	
4	18142-96300	.SPRING, SPIRAL	1	
5	18151-96310	.PLATE, FRICTION	1	
6	18210-93002	.GRIP ASSY	1	
7	18280-96320	.NSI SET	1	
8	18132-89L00	.SCREW	1	
9	18290-91L00	.CABLE, NSI	1	
10	18293-96310	.SPRING	1	
11	69711-93E10	LABEL, S.I.G.P	1	
12	99000-81159-50M	ROPE	1	OPT L:50000->1750
13	18411-96301	CUP, STARTER	1	
14	18711-91L10	BRACE, RECOIL STARTER STBD	1	
15	01550-06207	BOLT	2	BRACE STBD
16	01550-06207	BOLT	2	
17	01550-08257	BOLT	1	
18	09106-06098	BOLT (6X12)	4	
19	18721-91L10	BRACE, RECOIL STARTER PORT	1	W/MANUAL STARTER
20	01580-08257	BOLT	2	W/MANUAL STARTER BRACE PORT
21	09164-06015	WASHER	4	
22	61472-94J00	LABEL, RECOIL STARTER	1	

**FIG.27**



**FIG.27 (1-C-15) RECOIL STARTER (DT30R P40)**

REF NO.	PART NO.	DESCRIPTION	Q'TY	REMARKS
1	18100-91L00	STARTER ASSY, RECOIL	1	
2	18120-91L00	.REEL	1	
3	18130-91L00	.RATCHET SET	1	
4	18142-96300	.SPRING, SPIRAL	1	
5	18151-96310	.PLATE, FRICTION	1	
6	18210-93002	.GRIP ASSY	1	
7	18280-96320	.NSI SET	1	
8	18132-89L00	.SCREW	1	
9	18290-91L00	.CABLE, NSI	1	
10	18293-96310	.SPRING	1	
11	69711-93E10	LABEL, S.I.G.P	1	
12	99000-81159-50M	ROPE	1	OPT L:50000->1750
13	18411-96301	CUP, STARTER	1	
14	18711-91L10	BRACE, RECOIL STARTER STBD	1	
15	01550-06207	BOLT	2	BRACE STBD
16	01550-06207	BOLT	2	
17	01550-08257	BOLT	1	
18	09106-06098	BOLT (6X12)	4	
19	09164-06015	WASHER	4	
20	61472-94J00	LABEL, RECOIL STARTER	1	

FIG.28

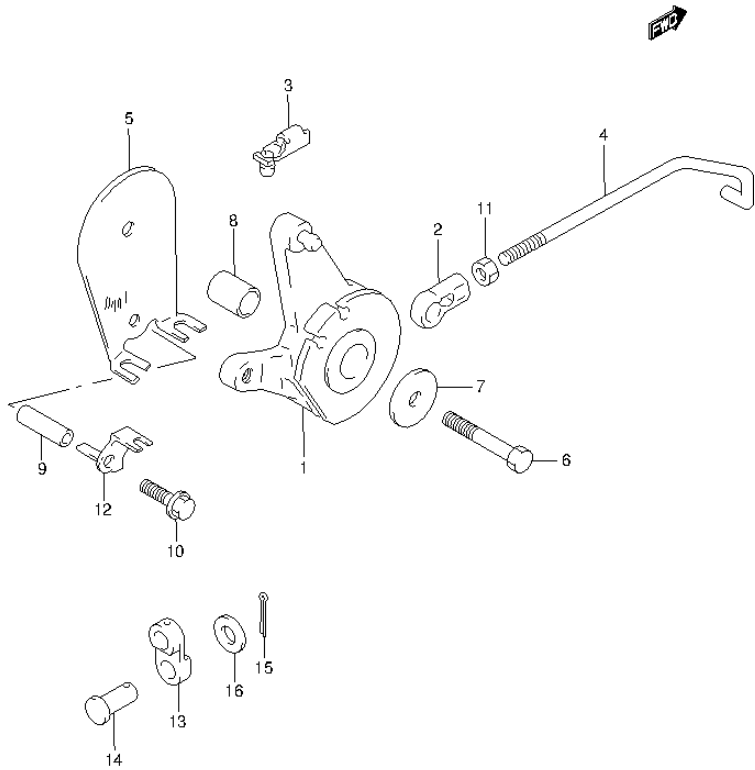


FIG.28 (1-D-2) THROTTLE CONTROL (DT25K P36)

REF NO.	PART NO.	DESCRIPTION	Q'TY	REMARKS
1	19121-91L00	LEVER, THROTTLE CONTROL	1	
2	19131-95502	CONNECTOR	1	
3	19132-96300	CONNECTOR, THROTTLE ROD	1	
4	19135-96350	ROD (TH LEVER TO CARB)	1	
5	19761-96351	STAY, THROTTLE CABLE	1	
6	09100-06175	BOLT (6X30)	1	
7	09160-06084	WASHER (6.5X18X1.6)	1	
8	09180-06105	SPACER (6.1X10X14)	1	
9	09180-06186	SPACER (6.2X12.6X21)	1	
10	01550-06357	BOLT	1	
11	09140-05005	NUT	1	
12	18642-96301	HOLDER, INTERLOCK CABLE	1	
13	18652-96300	CONNECTOR, INTERLOCK CABLE	1	
14	09200-05006	PIN (L:12)	1	
15	09204-01002	PIN	1	
16	09160-05029	WASHER (5.5X12X0.8)	1	

FIG.29

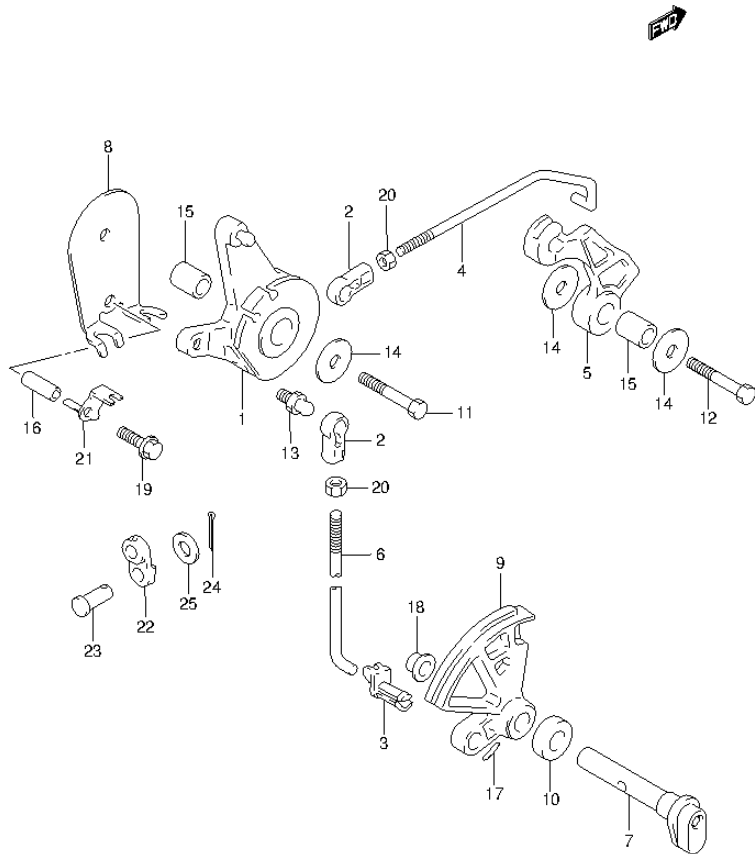


FIG.29 (1-D-3) THROTTLE CONTROL (DT30 P40)

REF NO.	PART NO.	DESCRIPTION	Q'TY	REMARKS
1	19121-91L00	LEVER, THROTTLE CONTROL	1	
2	19131-95502	CONNECTOR	2	
3	19131-96300	RETAINER, ROD CONNECTOR	1	
4	19135-96301	ROD (TH LEVER TO TH CAM)	1	
5	19141-96301	CAM, THROTTLE	1	
6	19656-96300	ROD (LIMITER TO TH LEVER)	1	
7	19720-91L00	SHAFT, REMOCON THROTTLE	1	
8	19761-91L00	STAY, THROTTLE CABLE	1	
9	19811-91L10	LIMITER, THROTTLE	1	
10	19859-94300	SPACER, NSI	1	
11	09100-06175	BOLT (6X30)	1	
12	09100-06175	BOLT (6X30)	1	
13	09119-05010	PIVOT	1	
14	09160-06084	WASHER (6.5X18X1.6)	3	
15	09180-06105	SPACER (6.1X10X14)	2	
16	09180-06186	SPACER (6.2X12.6X21)	1	
17	09205-04002	SPRING PIN (4X20)	1	
18	09306-10001	BUSH	1	
19	01550-06357	BOLT	1	
20	09140-05005	NUT	2	
21	18642-96301	HOLDER, INTERLOCK CABLE	1	
22	18652-96300	CONNECTOR, INTERLOCK CABLE	1	
23	09200-05006	PIN (L:12)	1	
24	09204-01002	PIN	1	
25	09160-05029	WASHER (5.5X12X0.8)	1	

FIG.30

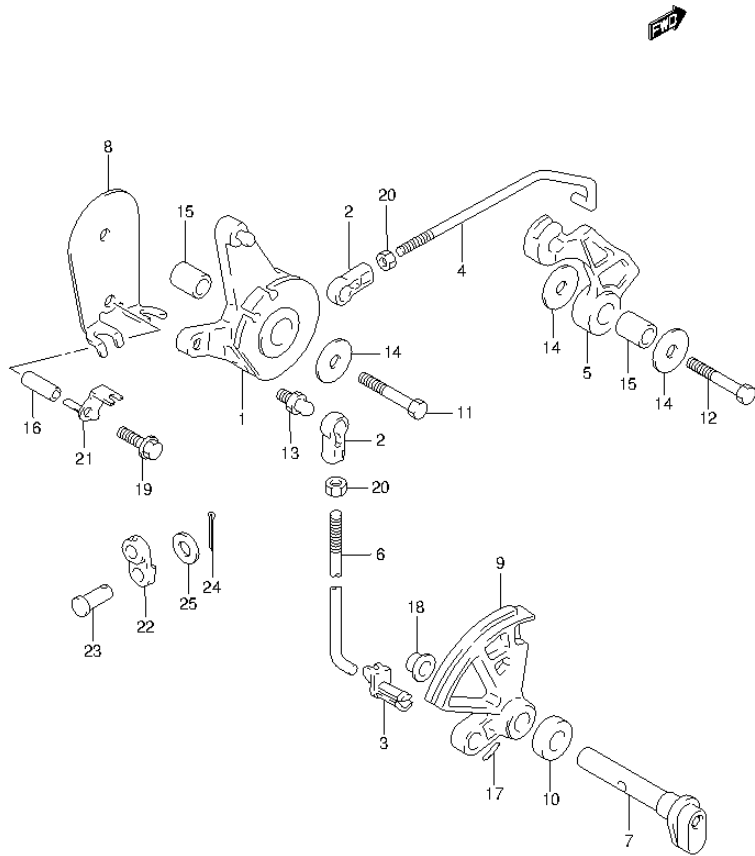
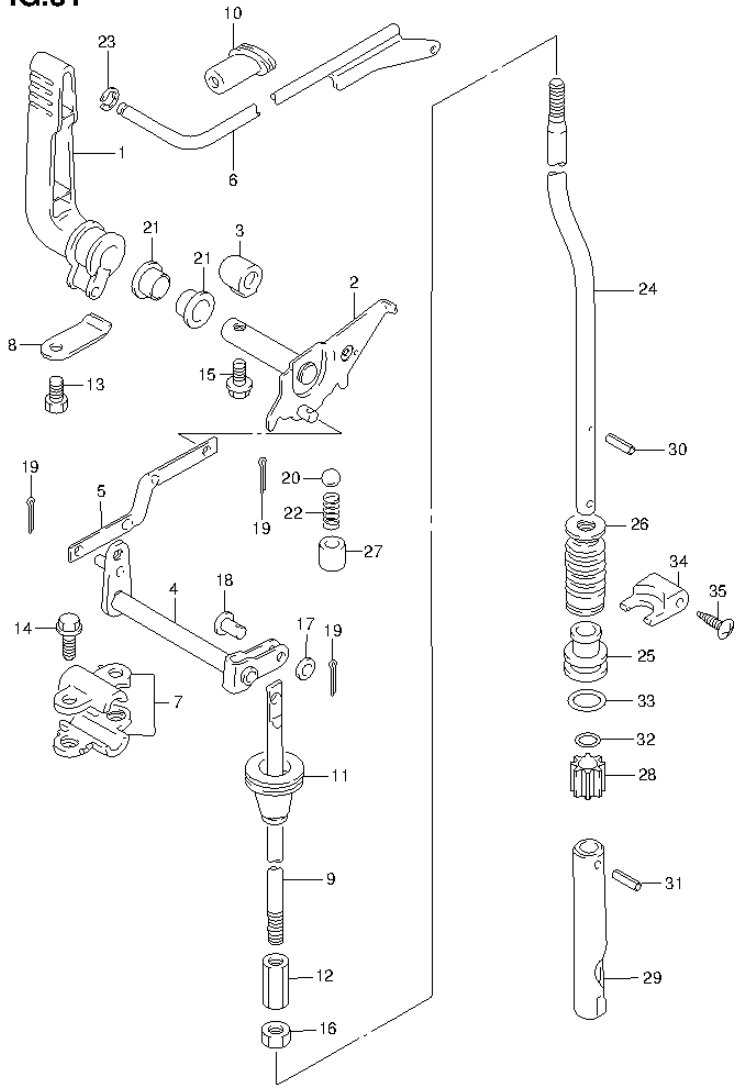


FIG.30 (1-D-4) THROTTLE CONTROL (DT30R P40)

REF NO.	PART NO.	DESCRIPTION	Q'TY	REMARKS
1	19121-91L00	LEVER, THROTTLE CONTROL	1	
2	19131-95502	CONNECTOR	2	
3	19131-96300	RETAINER, ROD CONNECTOR	1	
4	19135-96301	ROD (TH LEVER TO TH CAM)	1	
5	19141-96301	CAM, THROTTLE	1	
6	19656-96300	ROD (LIMITER TO TH LEVER)	1	
7	19720-91L00	SHAFT, REMOCON THROTTLE	1	
8	19761-91L00	STAY, THROTTLE CABLE	1	
9	19811-91L10	LIMITER, THROTTLE	1	
10	19859-94300	SPACER, NSI	1	
11	09100-06175	BOLT (6X30)	1	
12	09100-06175	BOLT (6X30)	1	
13	09119-05010	PIVOT	1	
14	09160-06084	WASHER (6.5X18X1.6)	3	
15	09180-06105	SPACER (6.1X10X14)	2	
16	09180-06186	SPACER (6.2X12.6X21)	1	
17	09205-04002	SPRING PIN (4X20)	1	
18	09306-10001	BUSH	1	
19	01550-06357	BOLT	1	
20	09140-05005	NUT	2	
21	18642-96301	HOLDER, INTERLOCK CABLE	1	
22	18652-96300	CONNECTOR, INTERLOCK CABLE	1	
23	09200-05006	PIN (L:12)	1	
24	09204-01002	PIN	1	
25	09160-05029	WASHER (5.5X12X0.8)	1	

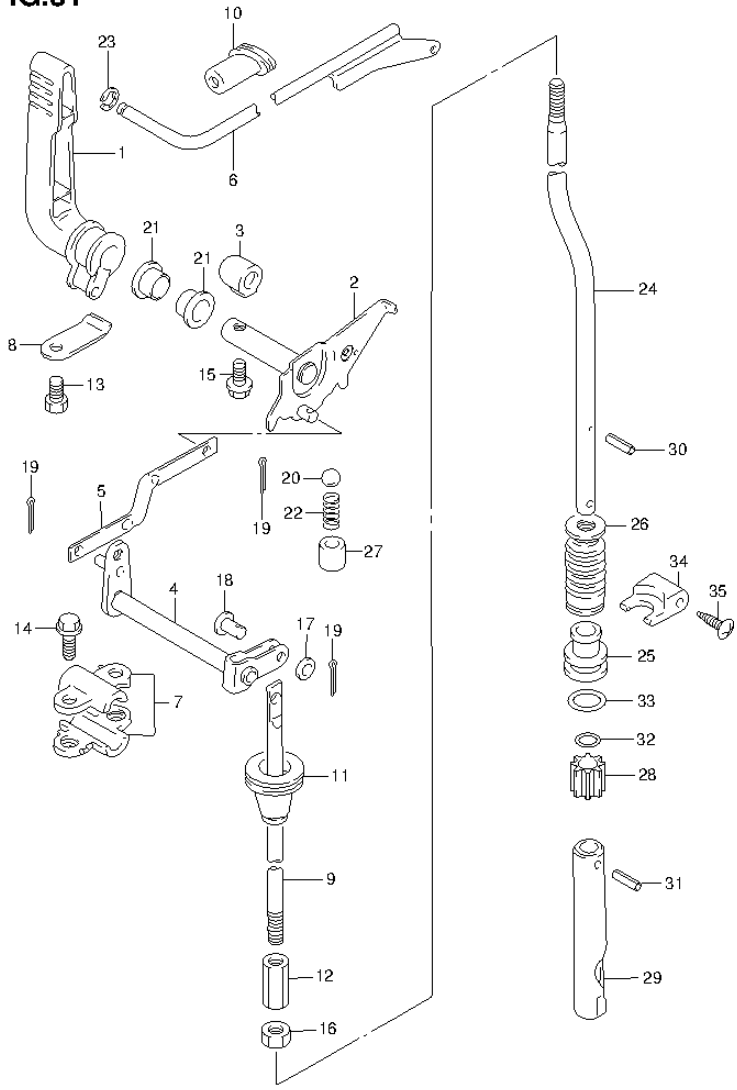
**FIG.31**



**FIG.31 (1-D-5) CLUTCH (DT25K P36)**

REF NO.	PART NO.	DESCRIPTION	Q'TY	REMARKS
1	21111-96311	LEVER, CLUTCH	1	
2	21120-91L00	PLATE, CLUTCH NOTCH	1	
3	21142-96300	CAP, CLUTCH SHAFT	1	
4	21210-96300	SHAFT, CLUTCH	1	
5	21241-96300	ROD, CLUTCH ARM	1	
6	21242-91L00	ROD, CLUTCH LEVER	1	
7	21311-91L00	HOLDER, CLUTCH SHIFT SHAFT	4	
8	21312-96300	HOLDER, CLUTCH LEVER	1	
9	23111-91L10	ROD, CLUTCH	1	
10	23131-93900	BOOT, CLUTCH LEVER ROD	1	
11	23131-94300	BOOT, CLUTCH ROD	1	
12	23311-95J00	CONNECTOR, CLUTCH ROD	1	
13	09100-06174	BOLT (6X12)	1	
14	09116-06227	BOLT (6X20)	4	
15	09116-06225	BOLT (6X15)	1	
16	29141-93J00	NUT	1	
17	09160-05029	WASHER (5.5X12X0.8)	1	
18	09200-05006	PIN (L:12)	1	
19	09204-01002	PIN	3	
20	09260-10005	BALL	1	
21	09306-10001	BUSH	2	
22	09440-07021	SPRING	1	
23	09383-08004	E RING	1	
24	25111-91L11	ROD, SHIFT (L)	1	
25	25211-91L00	GUIDE, SHIFT ROD	1	
26	25222-96300	BOOT, SHIFT ROD GUIDE	1	
27	25231-96301	HOLDER, MAGNET	1	
28	25232-96302	MAGNETO	1	
29	25311-96303	CAM, CLUTCH SHIFT	1	

**FIG.31**



**FIG.31 (1-D-6) CLUTCH (DT25K P36)**

REF NO.	PART NO.	DESCRIPTION	Q'TY	REMARKS
30	09205-02004	SPRING PIN (2.5X12)	1	
31	09205-03021	SPRING PIN (3.5X12)	1	
32	09280-08005	O RING (D:1.7,ID:7.7)	1	
33	09280-13005	O RING (D:3.5,ID:12.8)	1	
34	25215-96301	STOPPER, SHIFT ROD GUIDE	1	
35	09139-04004	SCREW (4X12)	2	



FIG.32

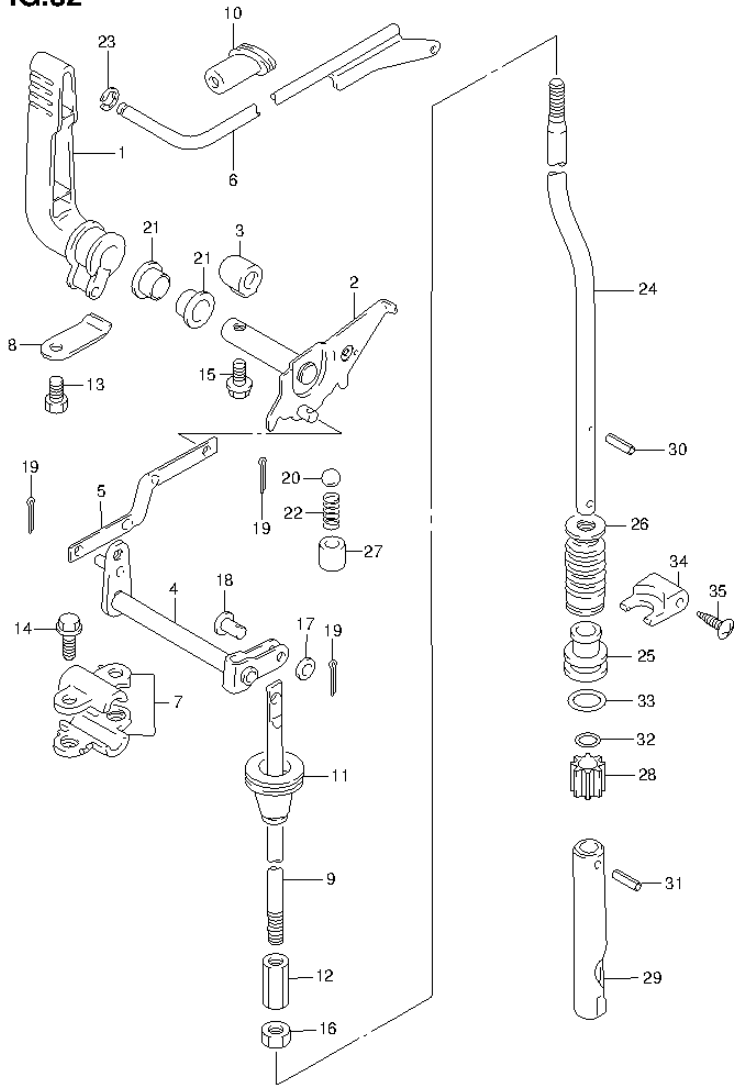
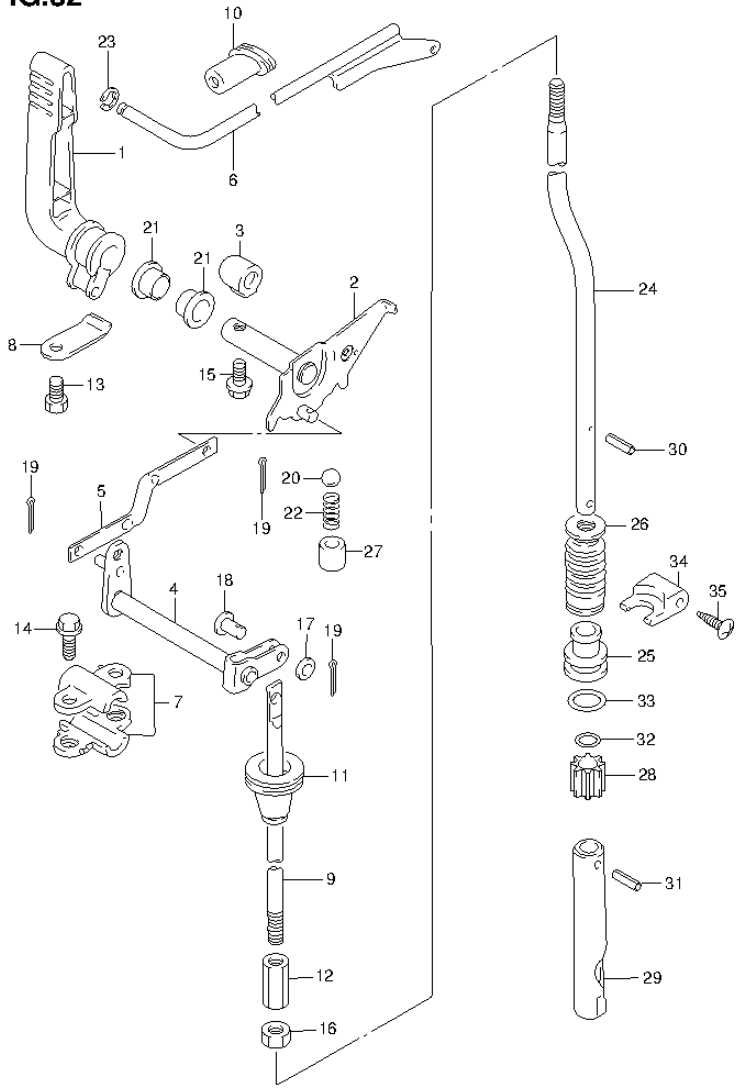


FIG.32 (1-D-7) CLUTCH (DT30 P40)

REF NO.	PART NO.	DESCRIPTION	Q'TY	REMARKS
1	21111-96311	LEVER, CLUTCH	1	
2	21120-91L00	PLATE, CLUTCH NOTCH	1	
3	21142-96300	CAP, CLUTCH SHAFT	1	
4	21210-96300	SHAFT, CLUTCH	1	
5	21241-96300	ROD, CLUTCH ARM	1	
6	21242-91L00	ROD, CLUTCH LEVER	1	
7	21311-91L00	HOLDER, CLUTCH SHIFT SHAFT	4	
8	21312-96300	HOLDER, CLUTCH LEVER	1	
9	23111-91L10	ROD, CLUTCH	1	
10	23131-93900	BOOT, CLUTCH LEVER ROD	1	
11	23131-94300	BOOT, CLUTCH ROD	1	
12	23311-95J00	CONNECTOR, CLUTCH ROD	1	
13	09100-06174	BOLT (6X12)	1	
14	09116-06227	BOLT (6X20)	4	
15	09116-06225	BOLT (6X15)	1	
16	29141-93J00	NUT	1	
17	09160-05029	WASHER (5.5X12X0.8)	1	
18	09200-05006	PIN (L:12)	1	
19	09204-01002	PIN	3	
20	09260-10005	BALL	1	
21	09306-10001	BUSH	2	
22	09440-07021	SPRING	1	
23	09383-08004	E RING	1	
24-1	25111-91L01	ROD, SHIFT (S)	1	W/TRANSOM(S)
24-2	25111-91L11	ROD, SHIFT (L)	1	W/TRANSOM(L)
25	25211-91L00	GUIDE, SHIFT ROD	1	
26	25222-96300	BOOT, SHIFT ROD GUIDE	1	
27	25231-96301	HOLDER, MAGNET	1	
28	25232-96302	MAGNETO	1	
29	25311-96303	CAM, CLUTCH SHIFT	1	
30	09205-02004	SPRING PIN (2.5X12)	1	
31	09205-03021	SPRING PIN (3.5X12)	1	
32	09280-08005	O RING (D:1.7,ID:7.7)	1	
33	09280-13005	O RING (D:3.5,ID:12.8)	1	

**FIG.32**



**FIG.32 (1-D-8) CLUTCH (DT30 P40)**

REF NO.	PART NO.	DESCRIPTION	Q'TY	REMARKS
34	25215-96301	STOPPER, SHIFT ROD GUIDE	1	
35	09139-04004	SCREW (4X12)	2	

FIG.33

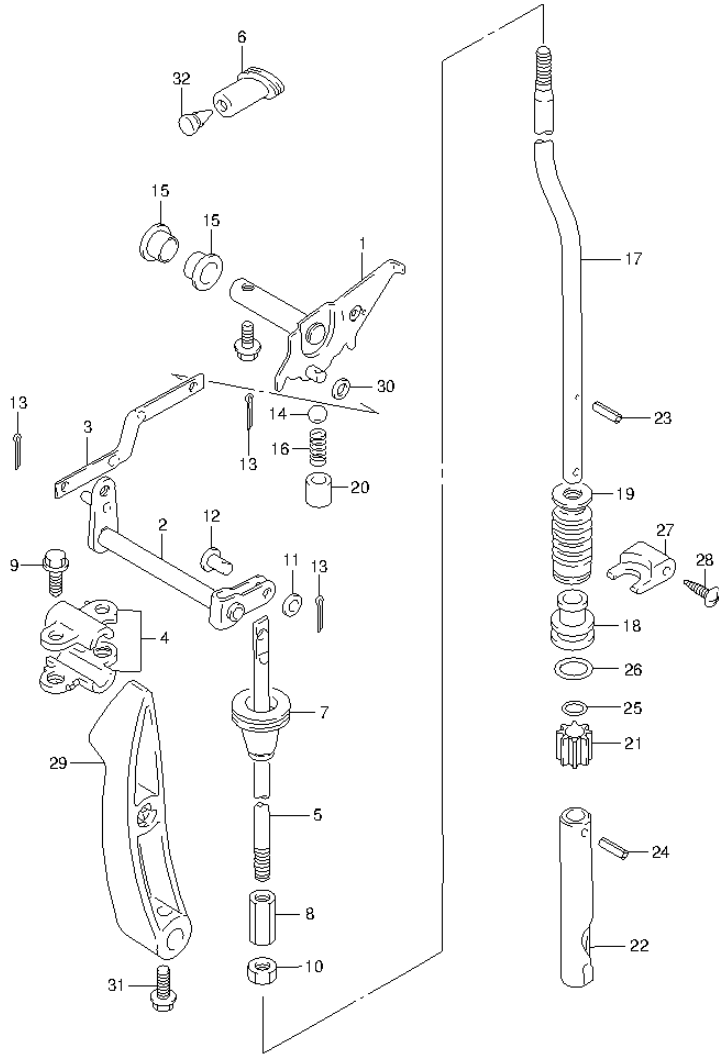


FIG.33 (1-D-9) CLUTCH (DT30R P40)

REF NO.	PART NO.	DESCRIPTION	Q'TY	REMARKS
1	21120-91L00	PLATE, CLUTCH NOTCH	1	
2	21210-96300	SHAFT, CLUTCH	1	
3	21241-96300	ROD, CLUTCH ARM	1	
4	21311-91L00	HOLDER, CLUTCH SHIFT SHAFT	4	
5	23111-91L10	ROD, CLUTCH	1	
6	23131-93900	BOOT, CLUTCH LEVER ROD	1	
7	23131-94300	BOOT, CLUTCH ROD	1	
8	23311-95J00	CONNECTOR, CLUTCH ROD	1	
9	09116-06227	BOLT (6X20)	4	
10	29141-93J00	NUT	1	
11	09160-05029	WASHER (5.5X12X0.8)	1	
12	09200-05006	PIN (L:12)	1	
13	09204-01002	PIN	3	
14	09260-10005	BALL	1	
15	09306-10001	BUSH	2	
16	09440-07021	SPRING	1	
17-1	25111-91L01	ROD, SHIFT (S)	1	W/TRANSOM(S)
17-2	25111-91L11	ROD, SHIFT (L)	1	W/TRANSOM(L)
18	25211-91L00	GUIDE, SHIFT ROD	1	
19	25222-96300	BOOT, SHIFT ROD GUIDE	1	
20	25231-96301	HOLDER, MAGNET	1	
21	25232-96302	MAGNETO	1	
22	25311-96303	CAM, CLUTCH SHIFT	1	
23	09205-02004	SPRING PIN (2.5X12)	1	
24	09205-03021	SPRING PIN (3.5X12)	1	
25	09280-08005	O RING (D:1.7,ID:7.7)	1	
26	09280-13005	O RING (D:3.5,ID:12.8)	1	
27	25215-96301	STOPPER, SHIFT ROD GUIDE	1	
28	09139-04004	SCREW (4X12)	2	
29	21111-96303-0EP	LEVER, CLUTCH (BLACK)	1	
30	09160-05024	WASHER (5.5X16X1.5)	1	
31	09116-06227	BOLT (6X20)	1	
32	09250-06012	PLUG (OD:10)	1	

FIG.34

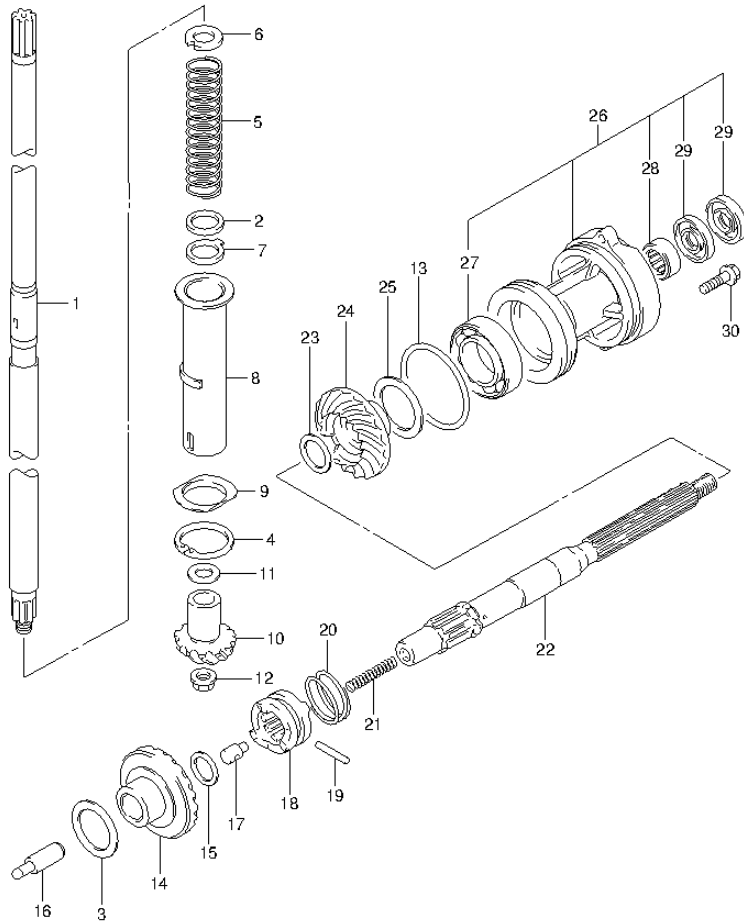


FIG.34 (1-D-10) TRANSMISSION (DT25K P36)

REF NO.	PART NO.	DESCRIPTION	Q'TY	REMARKS
1	57110-91L00	SHAFT, DRIVE (L)	1	
2	08211-20253	THRUST WASHER	1	
3-1	09181-25190	WASHER (T:0.8)	1	
3-2	09181-25248	WASHER (T:0.9)	1	
3-3	09181-25251	WASHER (T:1.0)	1	
3-4	09160-25032	WASHER (T:1.1)	1	
3-5	09160-25033	WASHER (T:1.2)	1	
3-6	09160-25034	WASHER (T:1.3)	1	
3-7	09160-25035	WASHER (T:1.4)	1	
3-8	09181-25268	WASHER (T:1.5)	1	
4	08331-41406	CIRCLIP	1	
5	09440-25002	SPRING	1	
6	09166-17005	WASHER	1	
7	09167-20021	LOCK WASHER	1	
8	57133-96302	SPACER, PRELOAD SPRING	1	
9	57134-96301	BARRIER	1	
10	57311-91L00	PINION (NT:11)	1	
11-1	09160-15030	WASHER (T:1.7)	1	
11-2	09160-15031	WASHER (T:1.8)	1	
11-3	09160-15032	WASHER (T:1.9)	1	
11-4	09160-15053	WASHER (T:2.3)	1	
11-5	09160-15054	WASHER (T:2.4)	1	
11-6	08211-15203	WASHER (T:2.0)	1	
11-7	09160-15033	WASHER (T:2.1)	1	
11-8	08211-15204	WASHER (T:2.2)	1	
12	09159-08046	NUT	1	
13	09280-75002	O RING (D:3.5,ID:68.6)	1	
14	57510-91L00	GEAR, FORWARD (NT:23)	1	
15	09181-16008	SHIM (16X24X2)	1	
16	57631-96301	ROD, PUSH	1	
17	09209-08016	PIN	1	
18	57621-91L10	SHIFTER, CLUTCH DOG	1	
19	09202-05021	PIN (5X34)	1	
20	09440-35004	SPRING	1	

FIG.34

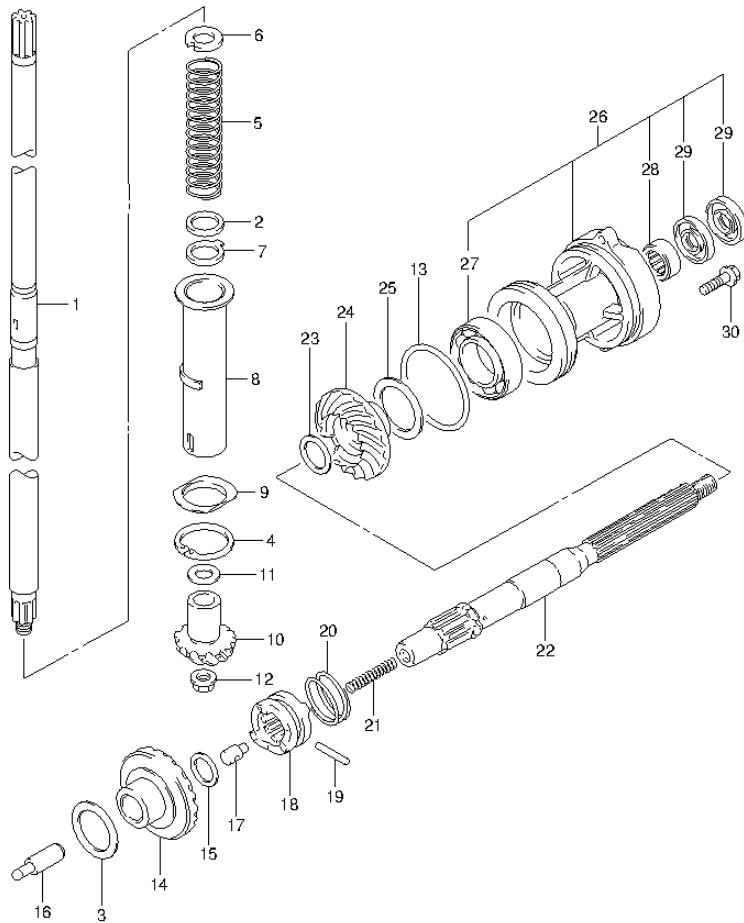


FIG.34 (1-D-11) TRANSMISSION (DT25K P36)

REF NO.	PART NO.	DESCRIPTION	Q'TY	REMARKS
21	09440-07041	SPRING	1	
22	57610-96311	SHAFT, PROPELLER	1	
23-1	09160-20068	WASHER (T:1.6)	1	
23-2	09160-20069	WASHER (T:1.8)	1	
23-3	09160-20070	WASHER (T:2.0)	1	
23-4	09160-20071	WASHER (T:2.2)	1	
23-5	09160-20072	WASHER (T:2.4)	1	
23-6	09160-20073	WASHER (T:2.6)	1	
24	57521-91L00	GEAR, REVERSE (NT:23)	1	
25-1	08221-30404	SHIM (T:2.0)	2	
25-2	09181-30158	SHIM (T:0.5)	1	
25-3	09181-30162	SHIM (T:0.8)	1	
26	56120-91L10-0EP	HOUSING, PROPELLER SHAFT BRG (BLACK)	1	
27	08113-60060	.BEARING	1	
28	09263-20047	.BEARING (20X26X20)	1	
29	09289-20L01	.OIL SEAL (20X34X6.5)	2	
30	09116-06229	BOLT (6X25)	2	



FIG.35

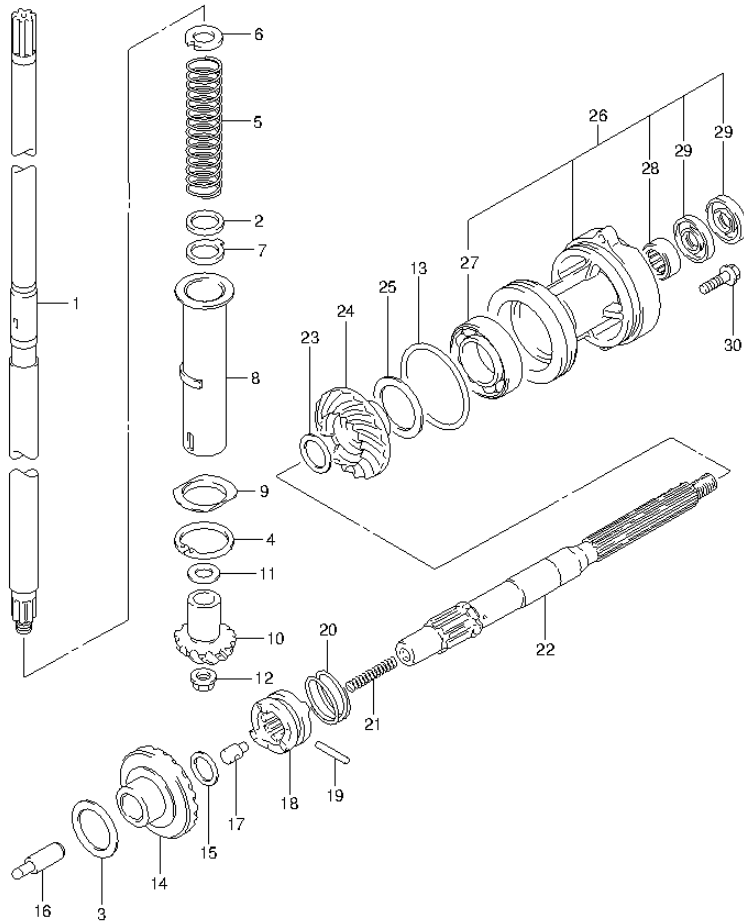


FIG.35 (1-D-13) TRANSMISSION (DT30 P40)

REF NO.	PART NO.	DESCRIPTION	Q'TY	REMARKS
20	09440-35004	SPRING	1	
21	09440-07041	SPRING	1	
22	57610-96311	SHAFT, PROPELLER	1	
23-1	09160-20068	WASHER (T:1.6)	1	
23-2	09160-20069	WASHER (T:1.8)	1	
23-3	09160-20070	WASHER (T:2.0)	1	
23-4	09160-20071	WASHER (T:2.2)	1	
23-5	09160-20072	WASHER (T:2.4)	1	
23-6	09160-20073	WASHER (T:2.6)	1	
24	57521-91L00	GEAR, REVERSE (NT:23)	1	
25-1	08221-30404	SHIM (T:2.0)	2	
25-2	09181-30158	SHIM (T:0.5)	1	
25-3	09181-30162	SHIM (T:0.8)	1	
26	56120-91L10-0EP	HOUSING, PROPELLER SHAFT BRG (BLACK)	1	
27	08113-60060	.BEARING	1	
28	09263-20047	.BEARING (20X26X20)	1	
29	09289-20L01	.OIL SEAL (20X34X6.5)	2	
30	09116-06229	BOLT (6X25)	2	

FIG.36

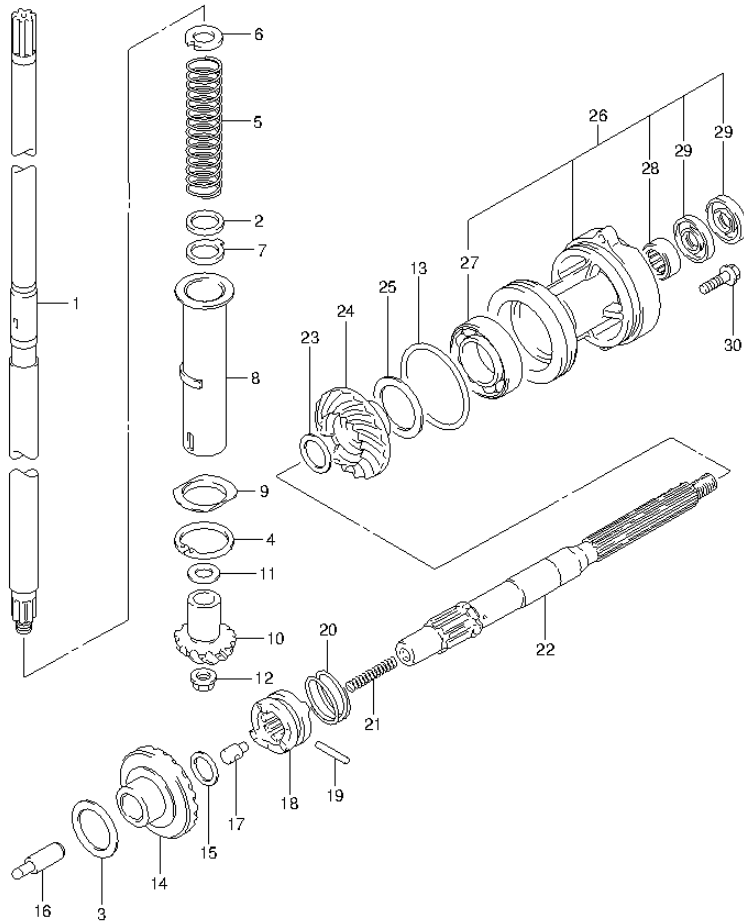


FIG.36 (1-D-14) TRANSMISSION (DT30R P40)

REF NO.	PART NO.	DESCRIPTION	Q'TY	REMARKS
1-1	57110-91L10	SHAFT, DRIVE (S)	1	W/TRANSOM(S)
1-2	57110-91L00	SHAFT, DRIVE (L)	1	W/TRANSOM(L)
2	08211-20253	THRUST WASHER	1	
3-1	09181-25190	WASHER (T:0.8)	1	
3-2	09181-25248	WASHER (T:0.9)	1	
3-3	09181-25251	WASHER (T:1.0)	1	
3-4	09160-25032	WASHER (T:1.1)	1	
3-5	09160-25033	WASHER (T:1.2)	1	
3-6	09160-25034	WASHER (T:1.3)	1	
3-7	09160-25035	WASHER (T:1.4)	1	
3-8	09181-25268	WASHER (T:1.5)	1	
4	08331-41406	CIRCLIP	1	
5	09440-25002	SPRING	1	
6	09166-17005	WASHER	1	
7	09167-20021	LOCK WASHER	1	
8	57133-96302	SPACER, PRELOAD SPRING	1	
9	57134-96301	BARRIER	1	
10	57311-91L00	PINION (NT:11)	1	
11-1	09160-15030	WASHER (T:1.7)	1	
11-2	09160-15031	WASHER (T:1.8)	1	
11-3	09160-15032	WASHER (T:1.9)	1	
11-4	09160-15053	WASHER (T:2.3)	1	
11-5	09160-15054	WASHER (T:2.4)	1	
11-6	08211-15203	WASHER (T:2.0)	1	
11-7	09160-15033	WASHER (T:2.1)	1	
11-8	08211-15204	WASHER (T:2.2)	1	
12	09159-08046	NUT	1	
13	09280-75002	O RING (D:3.5,ID:68.6)	1	
14	57510-91L00	GEAR, FORWARD (NT:23)	1	
15	09181-16008	SHIM (16X24X2)	1	
16	57631-96301	ROD, PUSH	1	
17	09209-08016	PIN	1	
18	57621-91L10	SHIFTER, CLUTCH DOG	1	
19	09202-05021	PIN (5X34)	1	



FIG.36

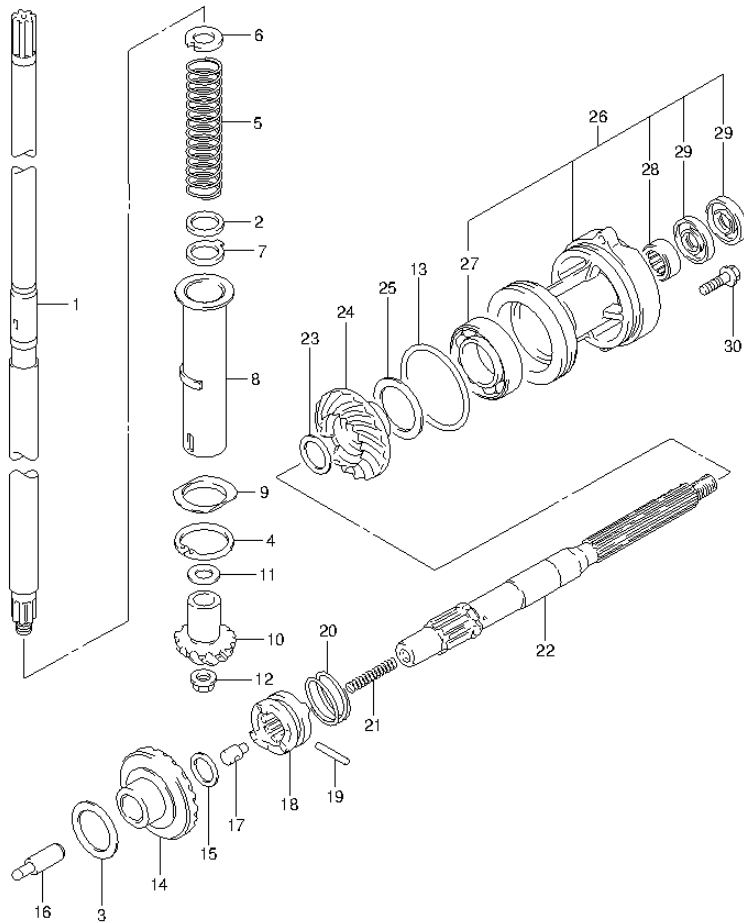
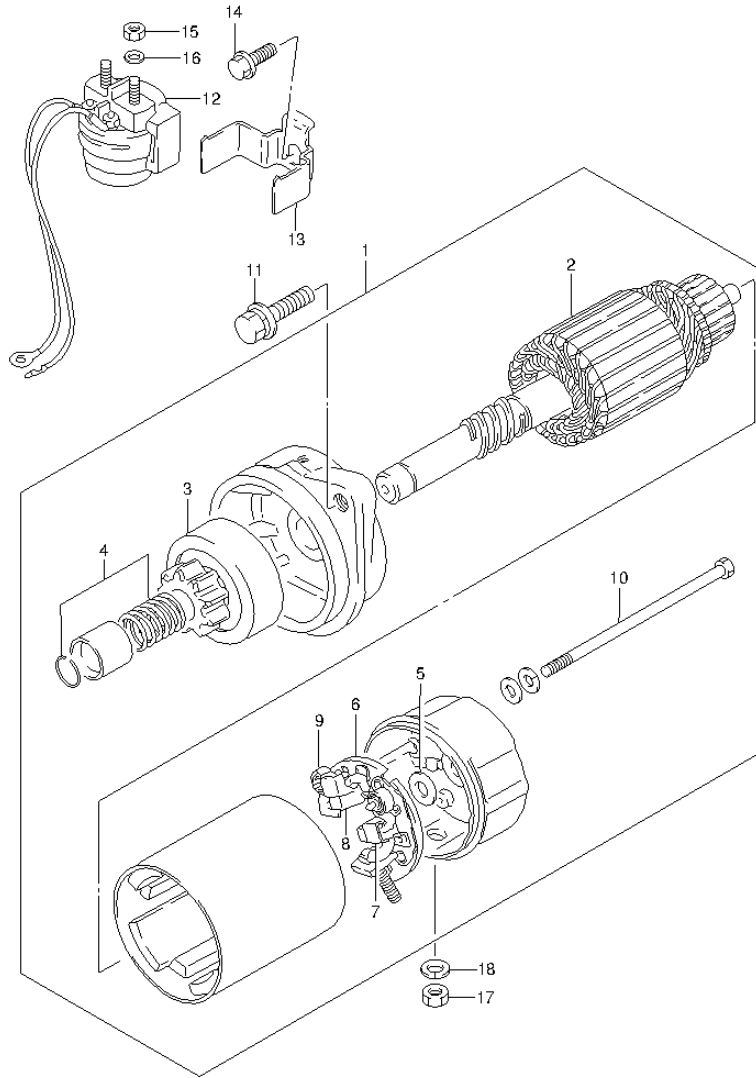


FIG.36 (1-D-15) TRANSMISSION (DT30R P40)

REF NO.	PART NO.	DESCRIPTION	Q'TY	REMARKS
20	09440-35004	SPRING	1	
21	09440-07041	SPRING	1	
22	57610-96311	SHAFT, PROPELLER	1	
23-1	09160-20068	WASHER (T:1.6)	1	
23-2	09160-20069	WASHER (T:1.8)	1	
23-3	09160-20070	WASHER (T:2.0)	1	
23-4	09160-20071	WASHER (T:2.2)	1	
23-5	09160-20072	WASHER (T:2.4)	1	
23-6	09160-20073	WASHER (T:2.6)	1	
24	57521-91L00	GEAR, REVERSE (NT:23)	1	
25-1	08221-30404	SHIM (T:2.0)	2	
25-2	09181-30158	SHIM (T:0.5)	1	
25-3	09181-30162	SHIM (T:0.8)	1	
26	56120-91L10-0EP	HOUSING, PROPELLER SHAFT BRG (BLACK)	1	
27	08113-60060	.BEARING	1	
28	09263-20047	.BEARING (20X26X20)	1	
29	09289-20L01	.OIL SEAL (20X34X6.5)	2	
30	09116-06229	BOLT (6X25)	2	

**FIG.37**



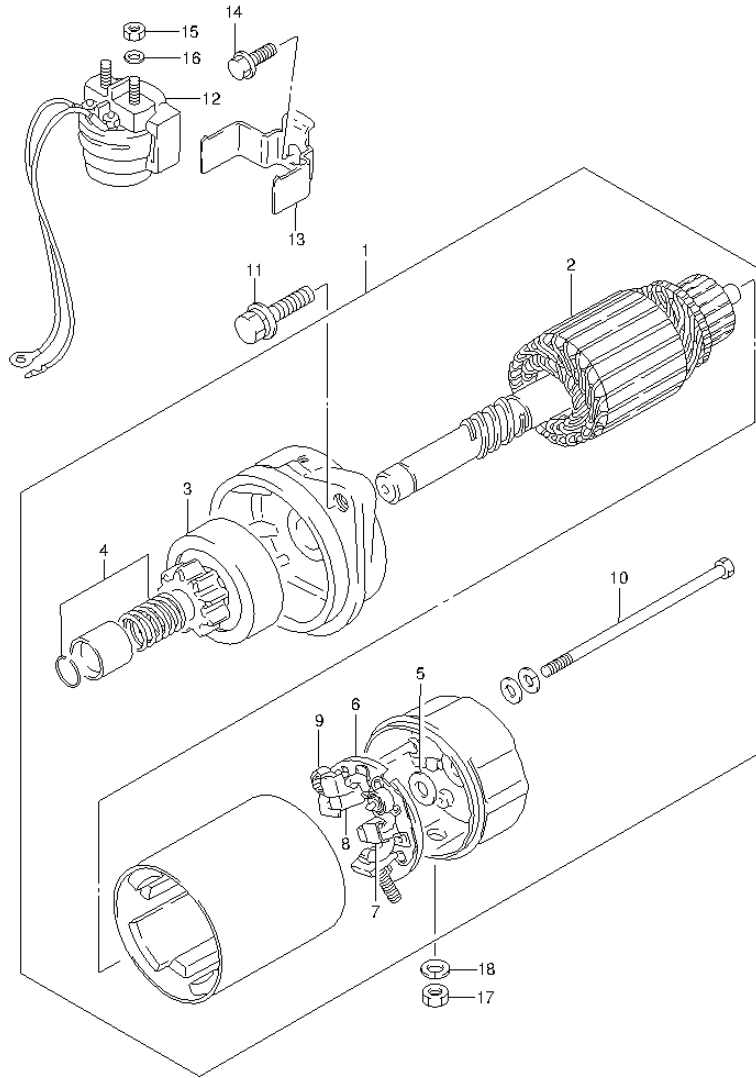
DT25\_30\_P40\_014\_037  
STARTING MOTOR

**FIG.37 (1-E-2) STARTING MOTOR (DT30 P40)**

REF NO.	PART NO.	DESCRIPTION	Q'TY	REMARKS
1	31100-94401	MOTOR ASSY, STARTING	1	
2	31310-96300	.ARMATURE	1	
3	31320-94400	.PISTON ASSY	1	
4	31312-96300	.STOPPER SET, PINION	1	
5	31360-96300	.WASHER	1	
6	31173-89J00	.HOLDER ASSY, BRUSH	1	
7	31131-96300	..BRUSH (+)	1	
8	31132-96300	..BRUSH (-)	1	
9	31135-89J00	..SPRING, BRUSH	2	
10	31281-93340	.BOLT	2	
11	01580-08257	BOLT	2	
12	31800-94401	RELAY ASSY, STARTING MOTOR	1	
13	31805-96350	BRACKET, STARTING MOTOR	1	
14	01550-06167	BOLT	1	
15	08310-00067	NUT	2	
16	08321-01067	WASHER	2	
17	08310-00067	NUT	1	
18	08321-01067	WASHER	1	

DT25\_30\_P40\_014

FIG.38



DT25\_30\_P40\_014\_038  
STARTING MOTOR

FIG.38 (1-E-3) STARTING MOTOR (DT30R P40)

REF NO.	PART NO.	DESCRIPTION	Q'TY	REMARKS
1	31100-94401	MOTOR ASSY, STARTING	1	
2	31310-96300	.ARMATURE	1	
3	31320-94400	.PISTON ASSY	1	
4	31312-96300	.STOPPER SET, PINION	1	
5	31360-96300	.WASHER	1	
6	31173-89J00	.HOLDER ASSY, BRUSH	1	
7	31131-96300	..BRUSH (+)	1	
8	31132-96300	..BRUSH (-)	1	
9	31135-89J00	..SPRING, BRUSH	2	
10	31281-93340	.BOLT	2	
11	01580-08257	BOLT	2	
12	31800-94401	RELAY ASSY, STARTING MOTOR	1	
13	31805-96350	BRACKET, STARTING MOTOR	1	
14	01550-06167	BOLT	1	
15	08310-00067	NUT	2	
16	08321-01067	WASHER	2	
17	08310-00067	NUT	1	
18	08321-01067	WASHER	1	

DT25\_30\_P40\_014



FIG.40

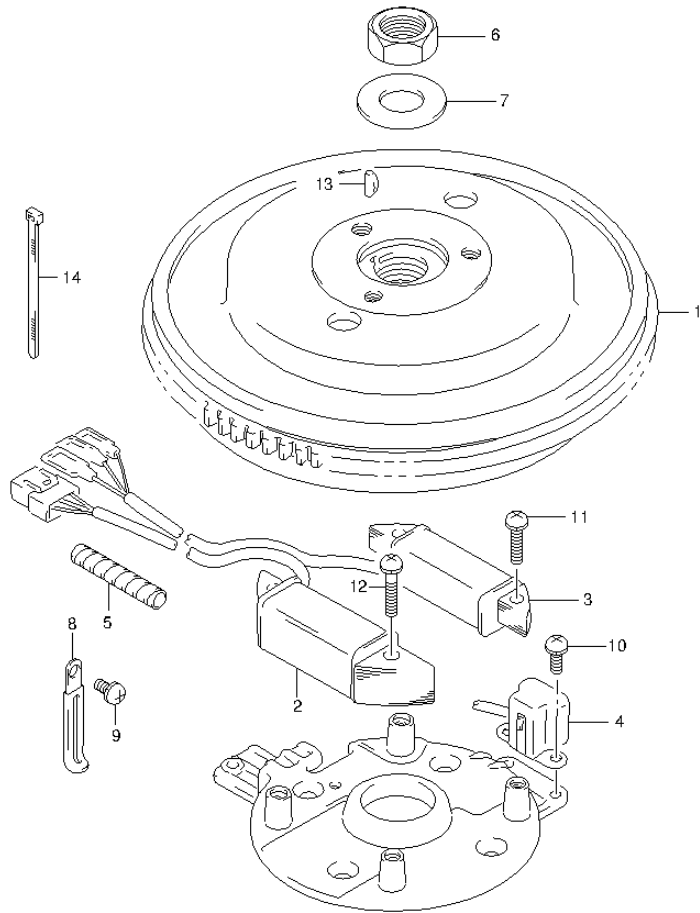


FIG.40 (1-E-5) MAGNETO (DT30 P40)

REF NO.	PART NO.	DESCRIPTION	Q'TY	REMARKS
1	32102-96462	FLYWHEEL	1	
2-1	32120-96330	COIL, LIGHTING	1	W/ELECTRIC STARTER
2-2	32120-96320	COIL, LIGHTING	1	W/MANUAL STARTER
3	32140-96310	COIL, PRIMARY	1	
4	32150-91L00	COIL, IGNITION TIMING	1	
5	33833-91J00	TUBE	1	L:250->50
6	09140-18024	NUT	1	
7	09160-18042	WASHER (18X35X4)	1	
8	29404-93J10	CLAMP	2	
9	02112-35087	SCREW	1	
10	02112-35127	SCREW	2	
11	02112-35207	SCREW	2	
12	02112-35257	SCREW	2	
13	09420-04008	KEY	1	
14	09407-14407	CLAMP (L:145)	1	



FIG.41

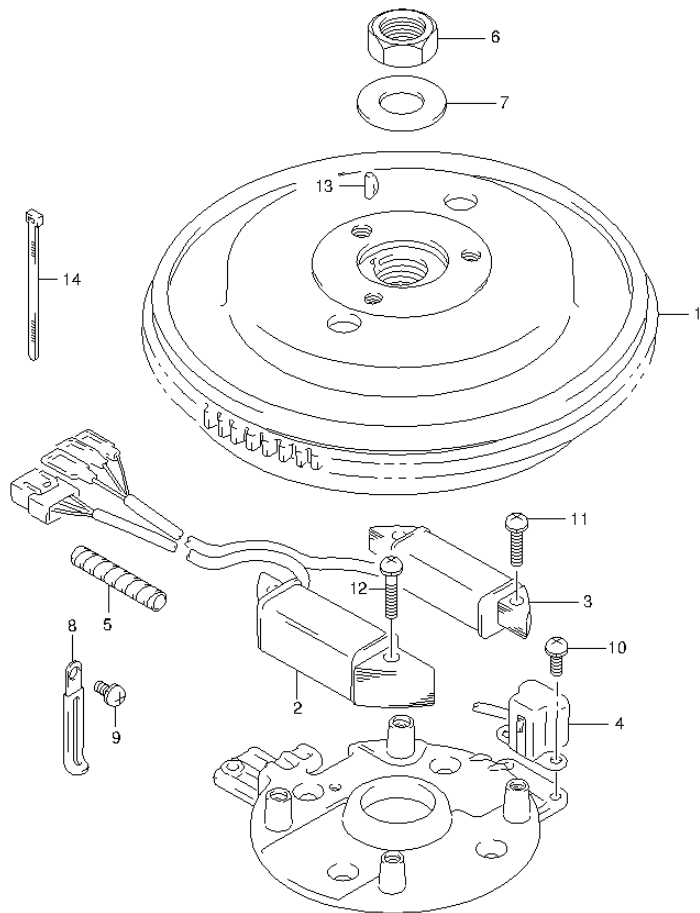


FIG.41 (1-E-6) MAGNETO (DT30R P40)

REF NO.	PART NO.	DESCRIPTION	Q'TY	REMARKS
1	32102-96462	FLYWHEEL	1	
2	32120-96330	COIL, LIGHTING	1	
3	32140-96310	COIL, PRIMARY	1	
4	32150-91L00	COIL, IGNITION TIMING	1	
5	33833-91J00	TUBE	1	L:250->50
6	09140-18024	NUT	1	
7	09160-18042	WASHER (18X35X4)	1	
8	29404-93J10	CLAMP	2	
9	02112-35087	SCREW	1	
10	02112-35127	SCREW	2	
11	02112-35207	SCREW	2	
12	02112-35257	SCREW	2	
13	09420-04008	KEY	1	
14	09407-14407	CLAMP (L:145)	1	



FIG.42

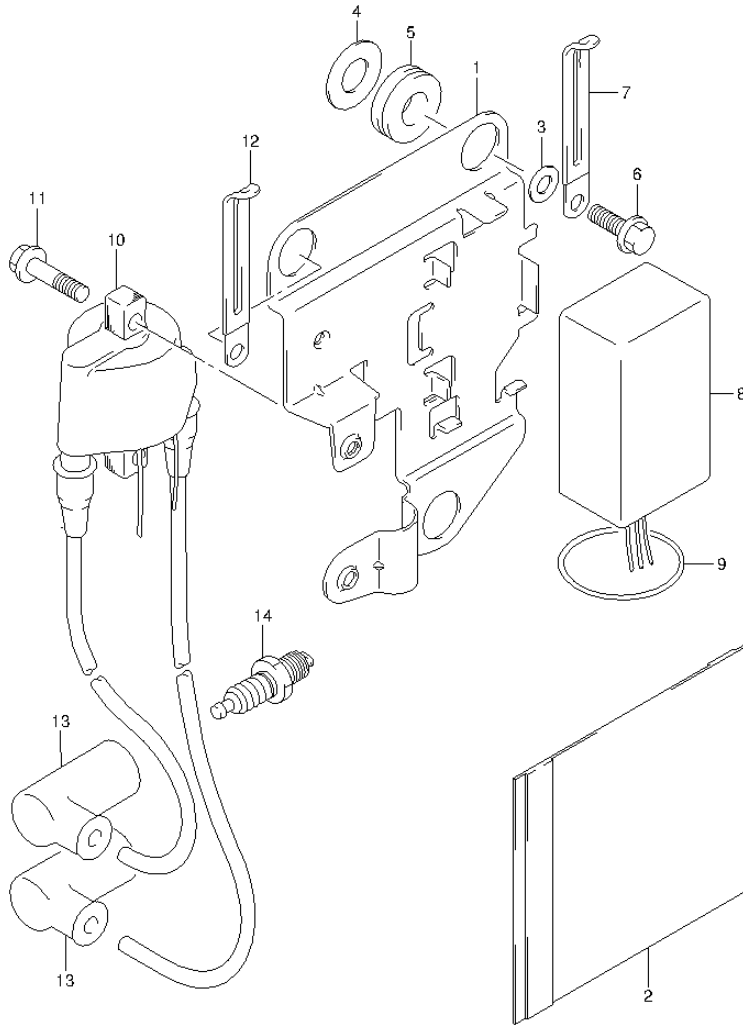


FIG.42 (1-E-7) IGNITION (DT25K P36)

REF NO.	PART NO.	DESCRIPTION	Q'TY	REMARKS
1	32890-91L00	HOLDER, ELECTRIC PARTS	1	
2	32916-92L00	COVER, CONNECTOR	1	
3	09160-06054	WASHER (6.5X22X1.6)	3	
4	09160-12007	WASHER (12.5X26X1.6)	3	
5	09320-12011	CUSHION	3	
6	01550-06127	BOLT	3	
7	29404-93J10	CLAMP	1	
8	32900-91L10	UNIT, CDI	1	
9	09280-76005	O RING (D:3.5,ID;76)	1	
10	33410-96311	COIL ASSY, IGNITION	1	
11	01550-06167	BOLT	2	
12	29404-93J10	CLAMP, IGN COIL LEAD	1	
13	33510-95520	CAP, SPARK PLUG	2	
14	09482-00532	SPARK PLUG (B7HS-10)	2	NGK

FIG.43

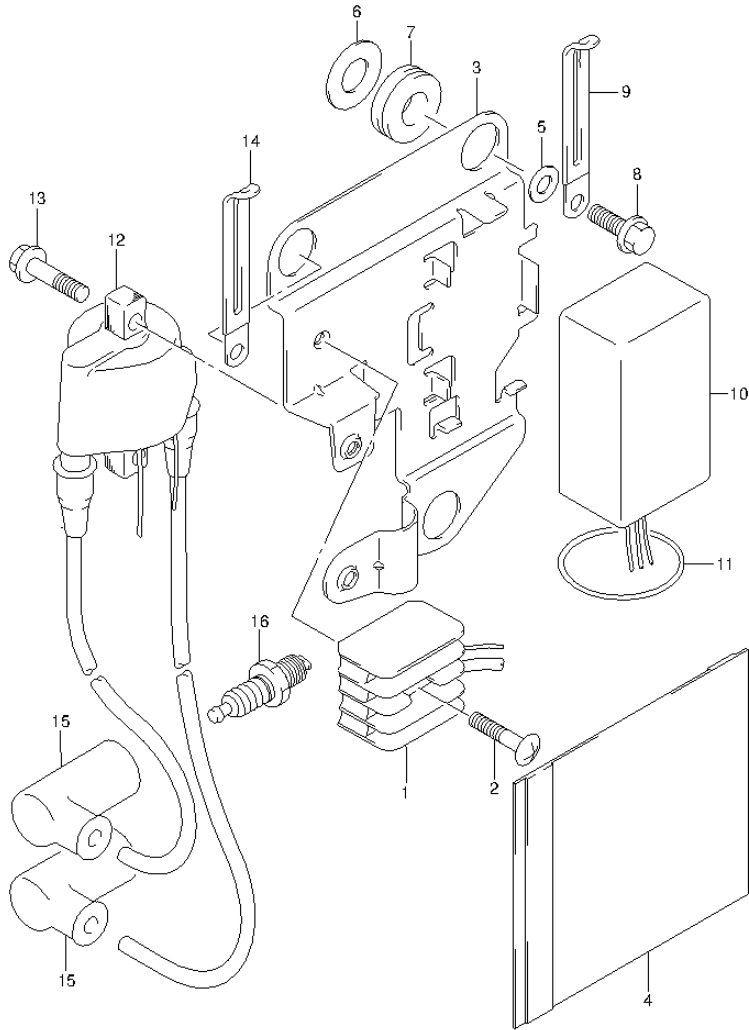


FIG.43 (1-E-8) IGNITION (DT30 P40)

REF NO.	PART NO.	DESCRIPTION	Q'TY	REMARKS
1	32800-95D01	RECTIFIER ASSY	1	W/ELECTRIC STARTER
2	02142-05257	SCREW	1	W/ELECTRIC STARTER
3	32890-91L00	HOLDER, ELECTRIC PARTS	1	
4	32916-92L00	COVER, CONNECTOR	1	
5	09160-06054	WASHER (6.5X22X1.6)	3	
6	09160-12007	WASHER (12.5X26X1.6)	3	
7	09320-12011	CUSHION	3	
8	01550-06127	BOLT	3	
9	29404-93J10	CLAMP	1	
10	32900-91L00	UNIT, CDI	1	
11	09280-76005	O RING (D:3.5,ID:76)	1	
12	33410-96300	COIL ASSY, IGNITION	1	
13	01550-06167	BOLT	2	
14	29404-93J10	CLAMP, IGN COIL LEAD	1	
15	33510-90L00	CAP, SPARK PLUG	2	
16	09482-00533	SPARK PLUG (BR7HS-10)	2	NGK



FIG.44

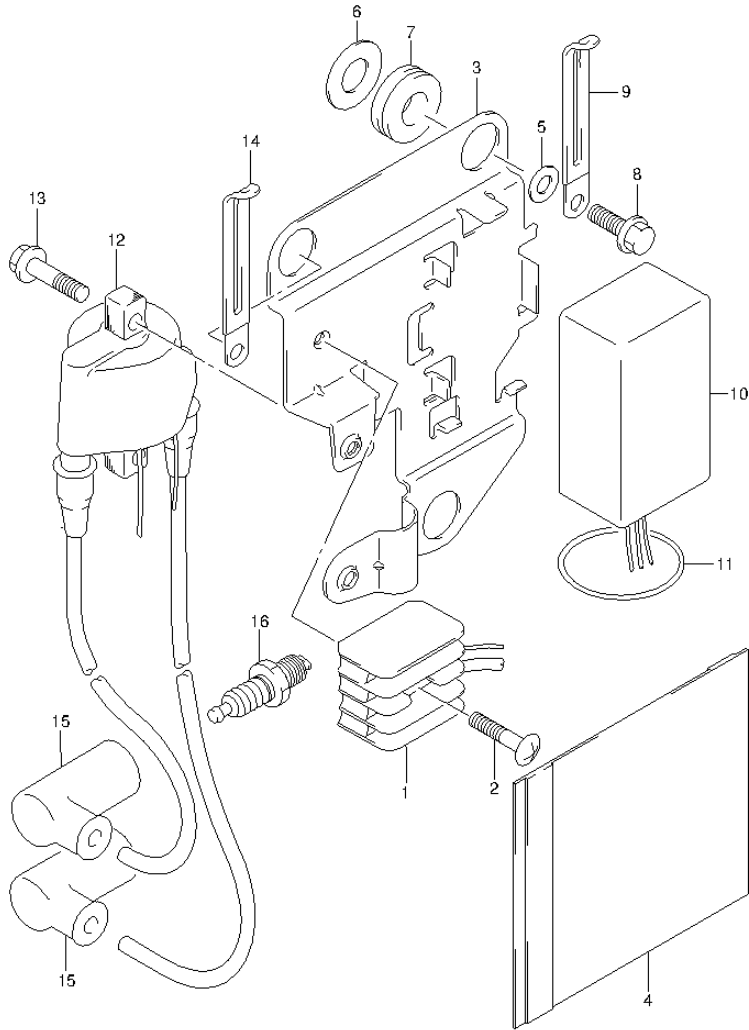


FIG.44 (1-E-9) IGNITION (DT30R P40)

REF NO.	PART NO.	DESCRIPTION	Q'TY	REMARKS
1	32800-95D01	RECTIFIER ASSY	1	
2	02142-05257	SCREW	1	
3	32890-91L00	HOLDER, ELECTRIC PARTS	1	
4	32916-92L00	COVER, CONNECTOR	1	
5	09160-06054	WASHER (6.5X22X1.6)	3	
6	09160-12007	WASHER (12.5X26X1.6)	3	
7	09320-12011	CUSHION	3	
8	01550-06127	BOLT	3	
9	29404-93J10	CLAMP	1	
10	32900-91L00	UNIT, CDI	1	
11	09280-76005	O RING (D:3.5,ID:76)	1	
12	33410-96300	COIL ASSY, IGNITION	1	
13	01550-06167	BOLT	2	
14	29404-93J10	CLAMP, IGN COIL LEAD	1	
15	33510-90L00	CAP, SPARK PLUG	2	
16	09482-00533	SPARK PLUG (BR7HS-10)	2	NGK

FIG.45

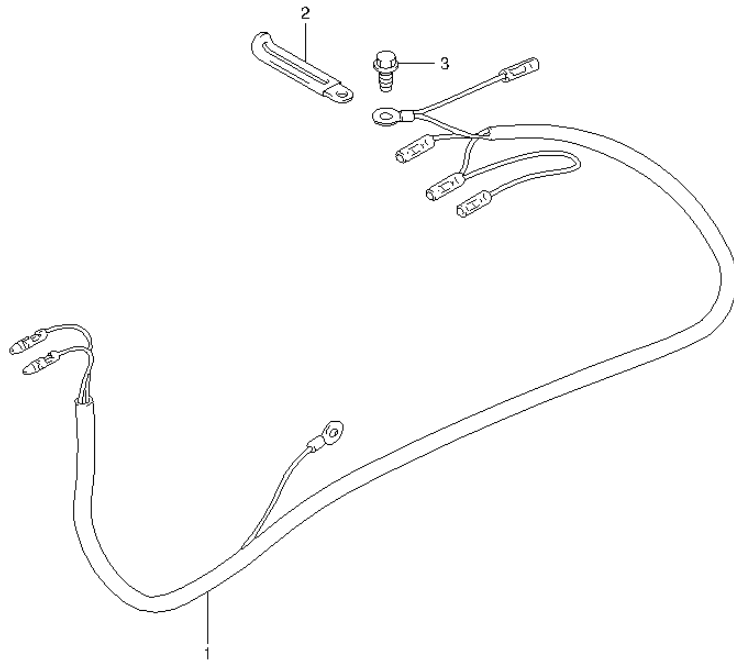


FIG.45 (1-E-10) HARNESS (DT25K P36)

REF NO.	PART NO.	DESCRIPTION	Q'TY	REMARKS
1	36610-91L00	WIRING HARNESS	1	
2	29404-93J10	CLAMP	1	
3	01550-06167	BOLT	1	GROUND

FIG.46

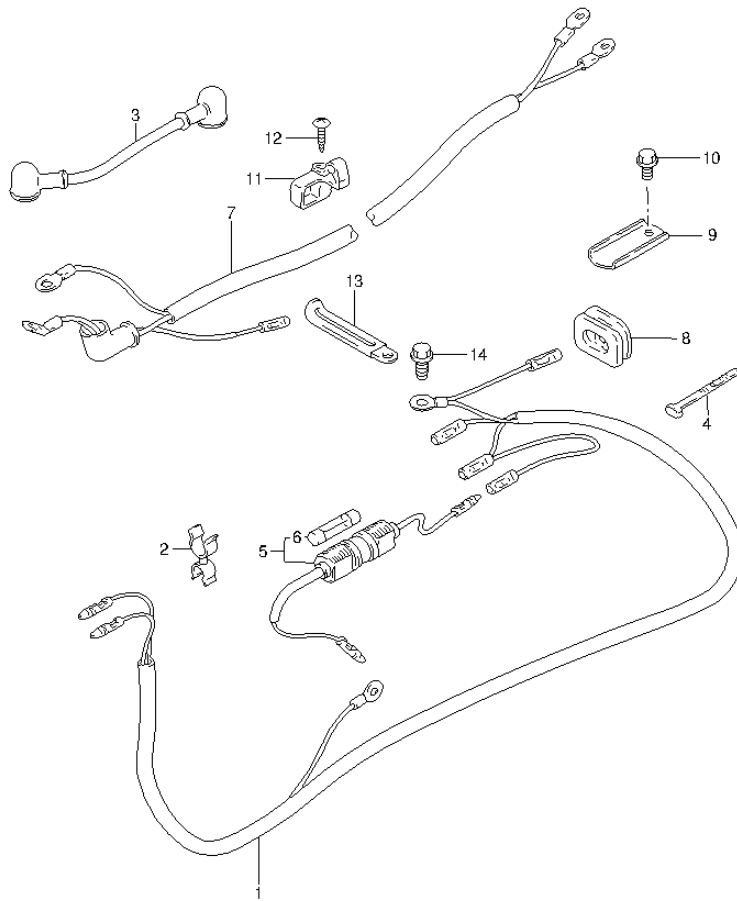
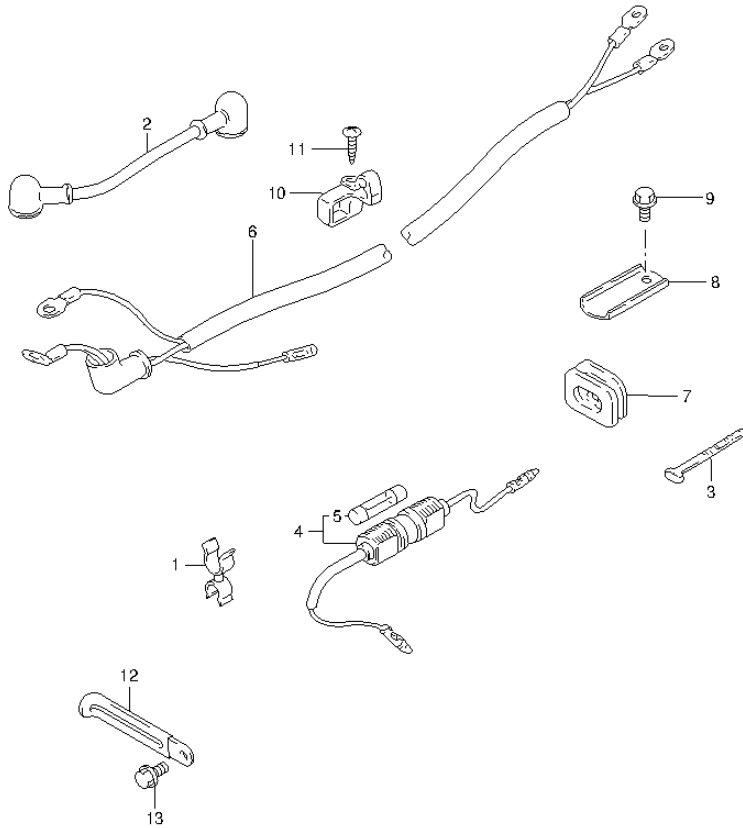


FIG.46 (1-E-11) HARNESS (DT30 P40)

REF NO.	PART NO.	DESCRIPTION	Q'TY	REMARKS
1	36610-91L00	WIRING HARNESS	1	
2	09408-00045	CLAMP	1	W/ELECTRIC STARTER
3	33820-89E01	CABLE ASSY, STARTER MOTOR SUB	1	W/ELECTRIC STARTER
4	09407-14403	CLAMP (L:125)	1	W/ELECTRIC STARTER
5	36740-95253	FUSE CASE ASSY	1	W/ELECTRIC STARTER
6	09481-20001	.FUSE (20A)	1	W/ELECTRIC STARTER
7	33810-96305	CABLE, STARTER	1	W/ELECTRIC STARTER
8	33811-96300	GROMMET, STARTER CABLE	1	W/ELECTRIC STARTER
9	33815-94501	PROTECTOR, CABLE	1	W/ELECTRIC STARTER
10	01550-06167	BOLT	1	W/ELECTRIC STARTER
11	33816-96300	CLAMP, STARTER CABLE	1	W/ELECTRIC STARTER
12	03241-0625A	SCREW	1	W/ELECTRIC STARTER
13	29404-93J10	CLAMP	1	
14-1	01550-06167	BOLT	1	HARNESS
14-2	01550-06167	BOLT	1	GROUND W/MANUAL STARTER

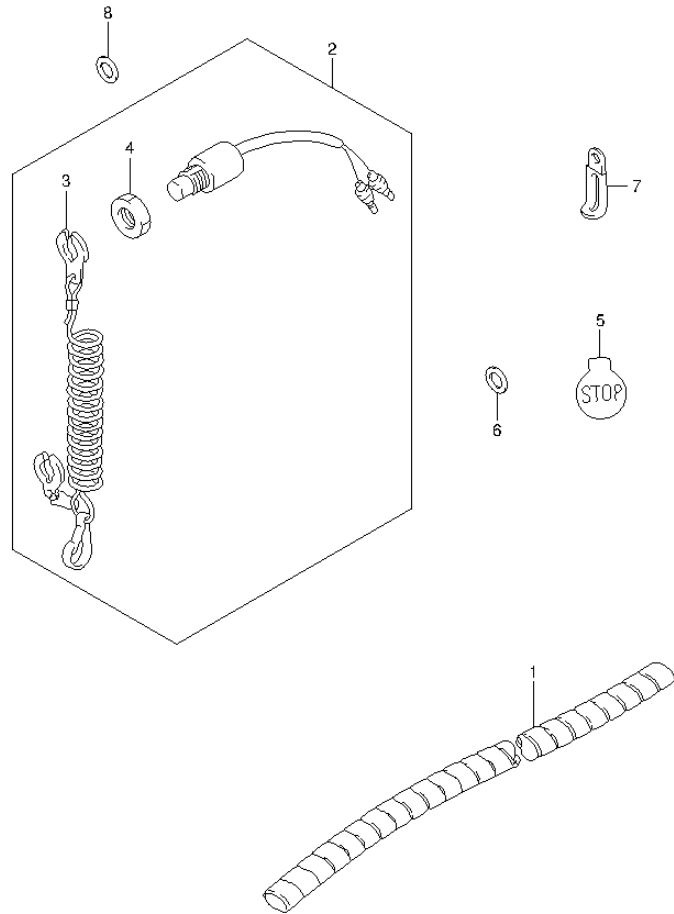
**FIG.47**



**FIG.47 (1-E-12) HARNESS (DT30R P40)**

REF NO.	PART NO.	DESCRIPTION	Q'TY	REMARKS
1	09408-00045	CLAMP	1	
2	33820-89E01	CABLE ASSY, STARTER MOTOR SUB	1	
3	09407-14403	CLAMP (L:125)	1	
4	36740-95253	FUSE CASE ASSY	1	
5	09481-20001	.FUSE (20A)	1	
6	33810-96305	CABLE, STARTER	1	
7	33811-96300	GROMMET, STARTER CABLE	1	
8	33815-94501	PROTECTOR, CABLE	1	
9	01550-06167	BOLT	1	
10	33816-96300	CLAMP, STARTER CABLE	1	
11	03241-0625A	SCREW	1	
12	29404-93J10	CLAMP	1	
13	01550-06167	BOLT	1	HARNESS

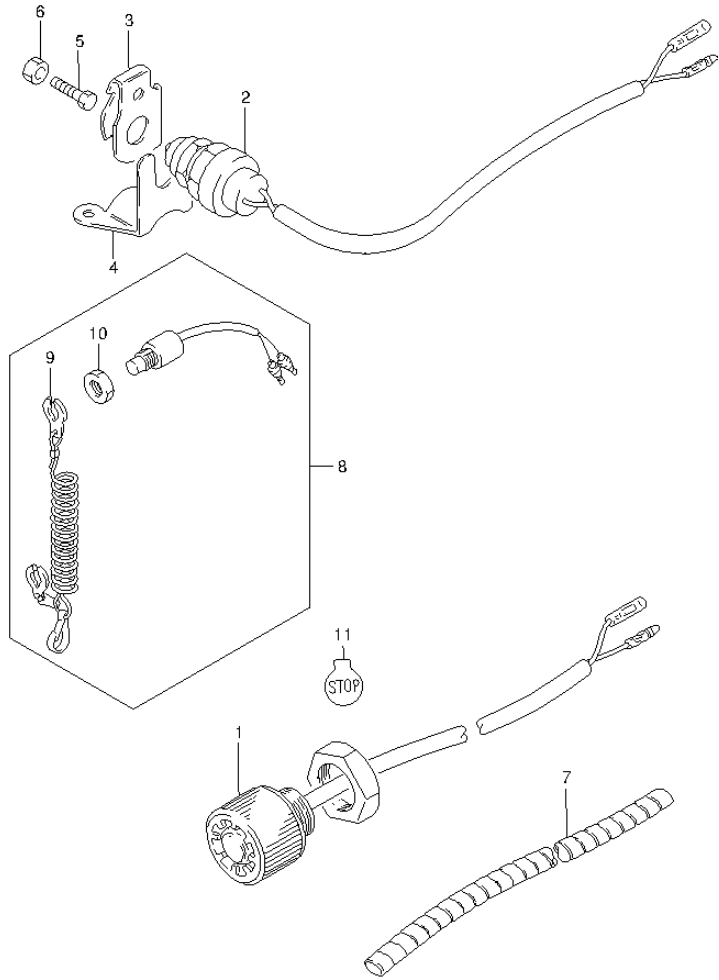
**FIG.48**



**FIG.48 (1-E-13) SWITCH (DT25K P36)**

REF NO.	PART NO.	DESCRIPTION	Q'TY	REMARKS
1	33833-91J00	TUBE, WIRING HARNESS (L:250)	1	L:250->50
2	37830-92L01	SWITCH, EMERGENCY & STOP	1	
3	37823-97J00	.PLATE, LOCK	1	
4	37826-97J00	.NUT	1	
5	37835-95D00	LABEL, STOP	1	
6	09160-16053	SPACER (16X20X2)	1	
7	09404-12201	CLAMP (L:73)	1	
8	56123-986L0	WASHER,EMER & STOP SW	1	

**FIG.49**



**FIG.49 (1-E-14) SWITCH (DT30 P40)**

REF NO.	PART NO.	DESCRIPTION	Q'TY	REMARKS
1	37160-96322	SWITCH, START	1	W/ELECTRIC STARTER
2	37721-96354	SWITCH, NEUTRAL	1	W/ELECTRIC STARTER
3	37725-94302	ACTUATOR, NEUTRAL SWITCH	1	W/ELECTRIC STARTER
4	37726-96303	BRACKET, NEUTRAL SWITCH	1	W/ELECTRIC STARTER
5	09100-05104	BOLT (5X20)	1	W/ELECTRIC STARTER
6	09140-05005	NUT	1	W/ELECTRIC STARTER
7	33833-91J00	TUBE, WIRING HARNESS (L:250)	1	L:250->50
8	37830-92L01	SWITCH, EMERGENCY & STOP	1	
9	37823-97J00	.PLATE, LOCK	1	
10	37826-97J00	.NUT	1	
11	37835-95D00	LABEL, STOP	1	

FIG.50

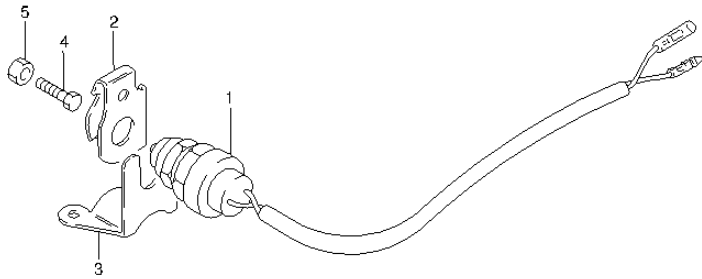


FIG.50 (1-E-15) SWITCH (DT30R P40)

REF NO.	PART NO.	DESCRIPTION	Q'TY	REMARKS
1	37721-96354	SWITCH, NEUTRAL	1	
2	37725-94302	ACTUATOR, NEUTRAL SWITCH	1	
3	37726-96303	BRACKET, NEUTRAL SWITCH	1	
4	09100-05104	BOLT (5X20)	1	
5	09140-05005	NUT	1	
6	38600-96301	SOLENOID, CHOKE	1	
7	02112-35127	SCREW	2	
8	33833-91J00	TUBE, WIRING HARNESS (L:250)	1	L:250->50
9	36630-96311	WIRING HARNESS, REMO-CON 1	1	
10	36630-96321	WIRING HARNESS, REMO-CON 2	1	
11	36631-94300	.CAP	1	
12	36612-93900	GROMMET, REMOCON HARNESS	1	

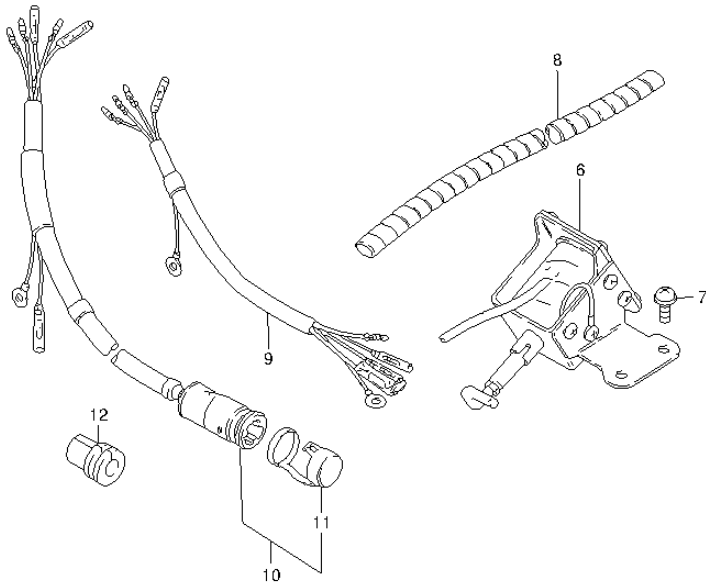


FIG.51

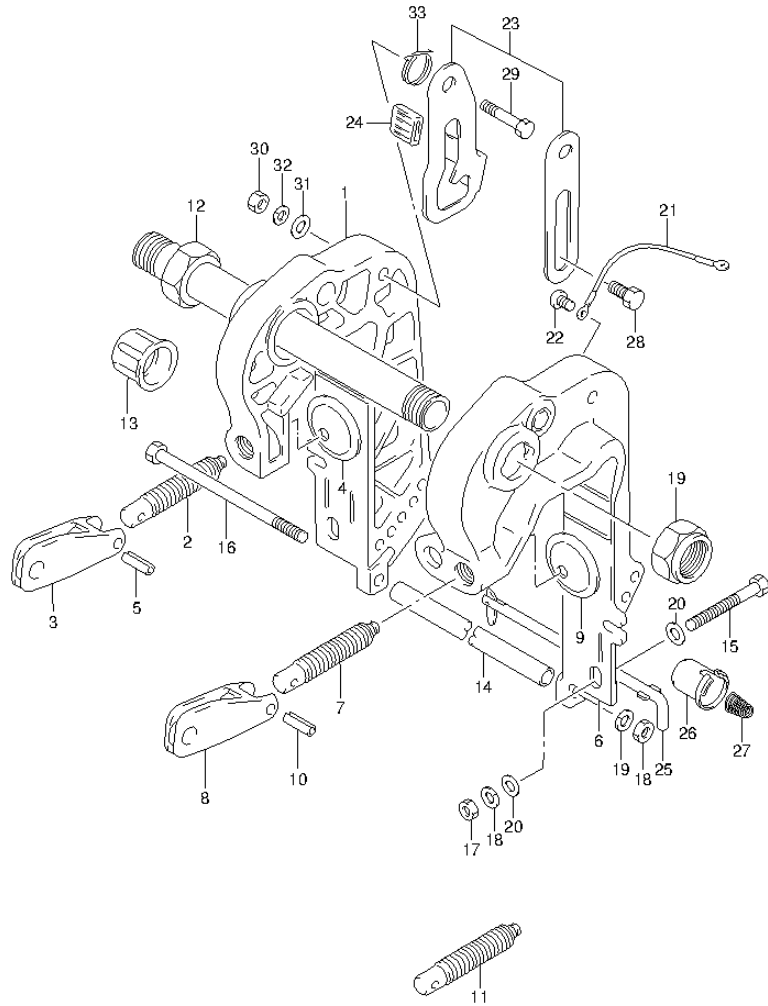
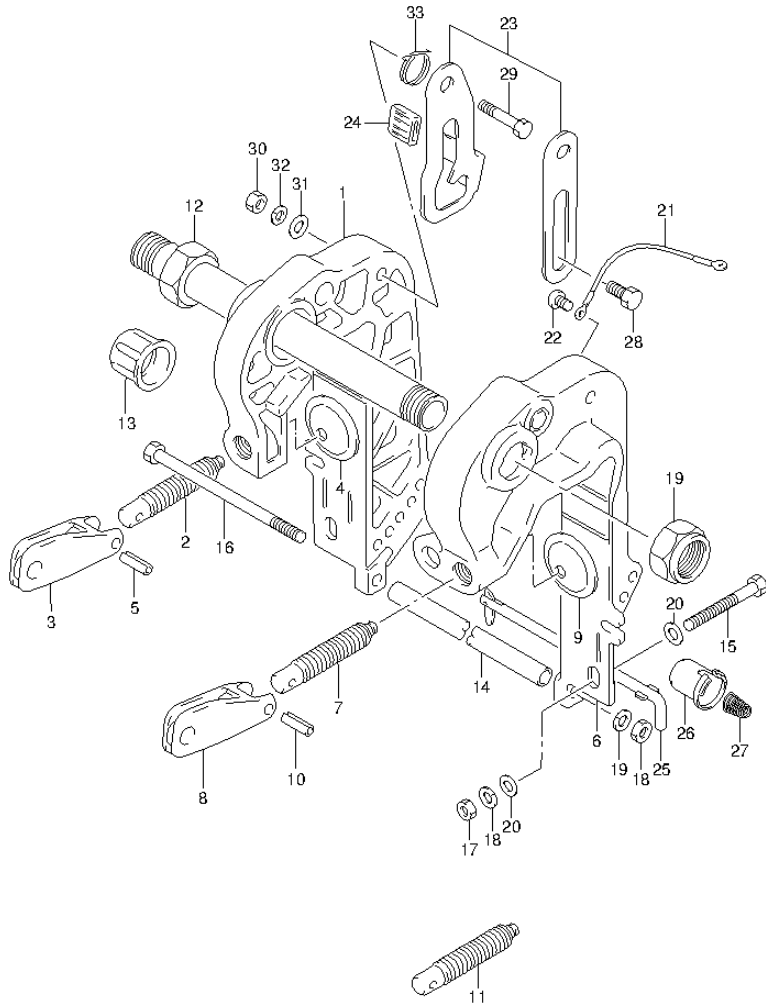


FIG.51 (1-F-2) CLAMP BRACKET

REF NO.	PART NO.	DESCRIPTION	Q'TY	REMARKS
1	41111-91L00-0EP	BRACKET, CLAMP STBD (BLACK)	1	
2	41211-93003	SCREW, CLAMP	1	
3	41212-91LL0-0EP	HANDLE, CLAMP (BLACK)	1	
4	41213-94J01	PLATE, CLAMP	1	
5	09205-06021	SPRING PIN	1	
6	41121-91L00-0EP	BRACKET, CLAMP PORT (BLACK)	1	
7	41211-93003	SCREW, CLAMP	1	
8	41212-91LL0-0EP	HANDLE, CLAMP (BLACK)	1	
9	41213-94J01	PLATE, CLAMP	1	
10	09205-06021	SPRING PIN	1	
11-1	41211-93900	SCREW, CLAMP	2	OPT
11-2	41211-93003	SCREW, CLAMP	2	OPT
11-3	41211-93920	SCREW, CLAMP	2	OPT
12	41130-91L00	SHAFT, CLAMP BRACKET	1	
13	41151-94500	CAP, CLAMP BRACKET SHAFT	2	
14	09180-09024	SPACER (9.2X13.8X128)	1	
15	09100-08311	BOLT (8X90)	2	
16	09100-08313	BOLT (8X165)	1	
17	09140-08023-XC0	NUT	3	
18	29162-93J10	WASHER, LOCK (8.2X15.4X2.0)	3	
19	09159-22006	NUT	1	
20	09160-08081	WASHER (8.5X23X1.5)	4	
21	36894-95201	LEAD	1	
22	29125-93J10	SCREW (5X8)	2	
23	41200-91L00	ARM ASSY, TILT	1	
24	41225-94400	RUBBER, TILT LOCK ARM	1	
25	45420-91LL0	PIN, TILT LOCK	1	
26	45425-94J00	STOPPER, TILT LOCK PIN	1	
27	09441-17001	SPRING	1	
28	09111-10067	BOLT (10X20.5)	2	
29	09111-10068	BOLT	2	
30	29141-93J20	NUT	2	



**FIG.51**



**FIG.51 (1-F-3) CLAMP BRACKET**

REF NO.	PART NO.	DESCRIPTION	Q'TY	REMARKS
31	09160-10082	WASHER (10.5X19X2)	2	
32	09162-10005	LOCK WASHER	2	
33	09448-29015	SPRING	1	

FIG.52

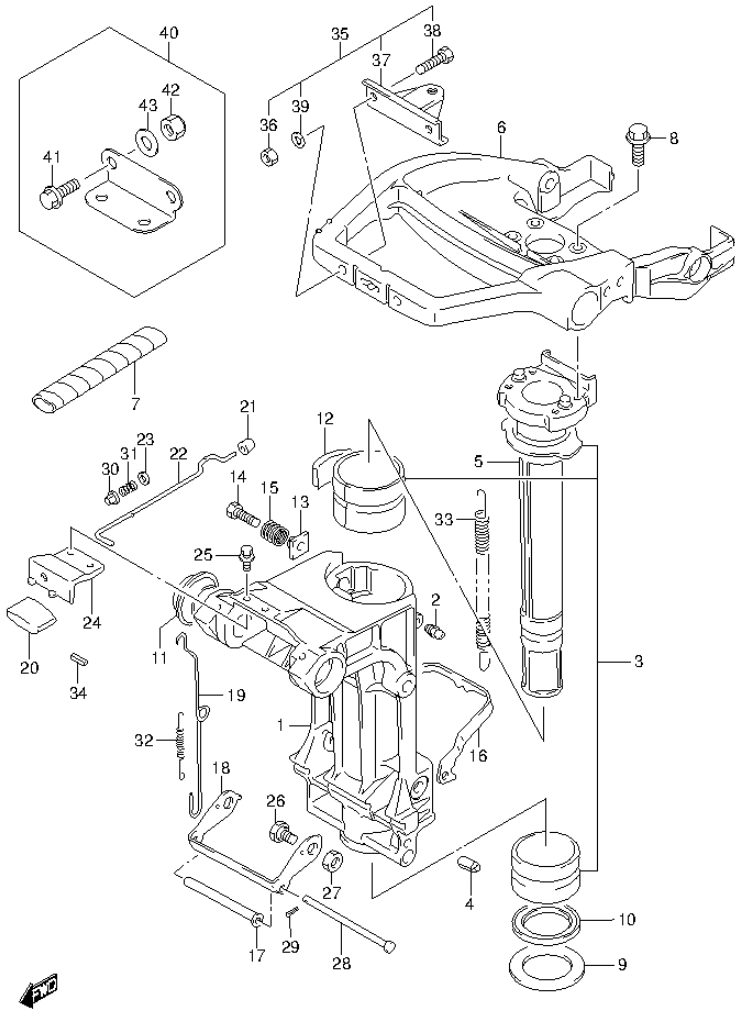


FIG.52 (1-F-4) SWIVEL BRACKET (DT25K P36)

REF NO.	PART NO.	DESCRIPTION	Q'TY	REMARKS
1	43111-91L02-OEP	BRACKET, SWIVEL (BLACK)	1	
2	22511-99011	NIPPLE, SWIVEL BRKT GREASE	4	
3	43710-91L00	BUSH SET, STEERING	1	
4	09205-06013	SPRING PIN (6X16)	1	
5	43741-91L00-OEP	SHAFT, PILOT (BLACK)	1	
6	43751-91L00-OEP	BRACKET, STEERING (BLACK)	1	
7	43753-96310	TUBE, THROTTLE CABLE	1	
8	09116-08149	BOLT (8X22)	4	
9	09160-40005	WASHER (40X58X2)	1	
10	09284-40001	OIL SEAL (40X49X4)	1	
11	09306-22004	BUSH	2	
12	43411-96300	ADJUSTER, STEERING	1	
13	43421-91L00	BUSH	1	
14	09119-08104	BOLT (8X23)	1	
15	09440-12036	SPRING	1	
16	45231-91L00	ARM, REVERSE LOCK	1	
17	45246-91L00	SPACER	1	
18	45241-91L00	LINK, REVERSE LOCK ARM	1	
19	45252-91L00	LINK, RELEASE LEVER	1	
20	45255-96302	KNOB, RELEASE LEVER	1	
21	45257-96300	BUSH, RELEASE LEVER	1	
22	45260-96300	LEVER, RELEASE	1	
23	09160-04012	WASHER (4.2X10X1)	1	
24	45311-91L00-OEP	BRACKET, RELEASE LEVER (BLACK)	1	
25	09116-05010	BOLT (5X12)	2	
26	09111-10066	BOLT (10X16.5)	2	
27	09140-10032	NUT	2	
28	09200-05011	PIN (5X101)	1	
29	09204-01002	PIN	1	
30	09319-04001	BUSH	1	
31	09440-04021	SPRING	1	
32	09443-05013	SPRING	1	
33	09443-09036	SPRING	1	
34	09205-02006	SPRING PIN (2X12)	1	



FIG.53

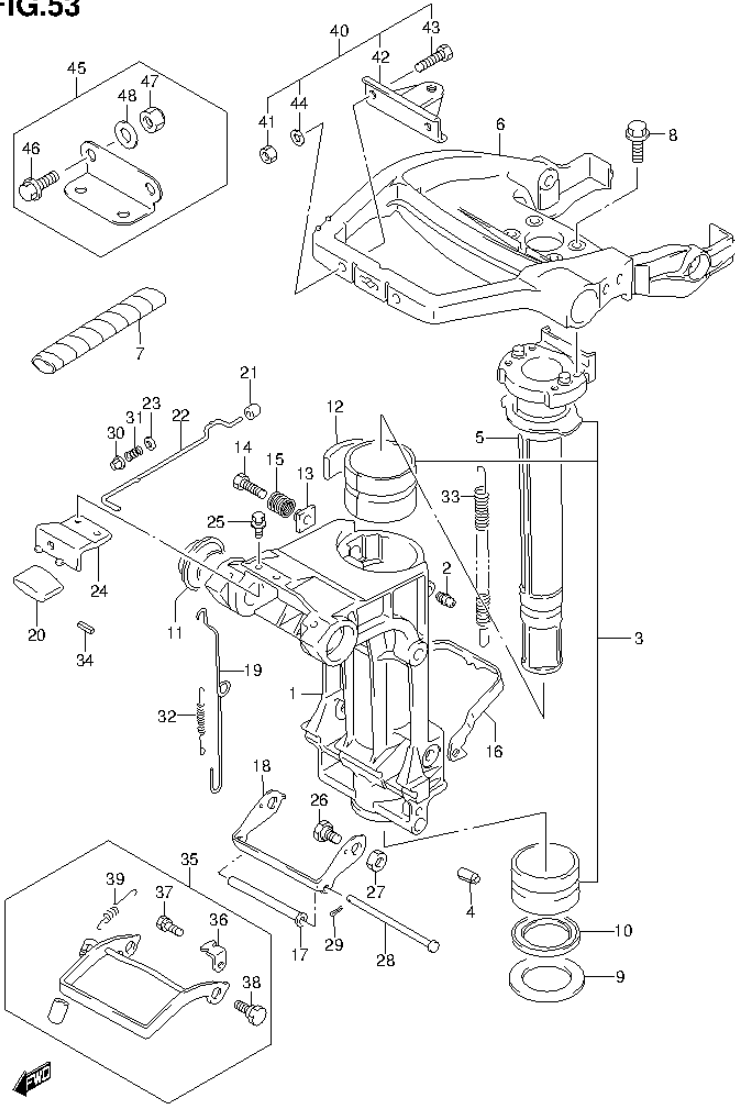


FIG.53 (1-F-6) SWIVEL BRACKET (DT30 P40)

REF NO.	PART NO.	DESCRIPTION	Q'TY	REMARKS
1	43111-91L02-OEP	BRACKET, SWIVEL (BLACK)	1	
2	22511-99011	NIPPLE, SWIVEL BRKT GREASE	4	
3	43710-91L00	BUSH SET, STEERING	1	
4	09205-06013	SPRING PIN (6X16)	1	
5	43741-91L00-OEP	SHAFT, PILOT (BLACK)	1	
6	43751-91L00-OEP	BRACKET, STEERING (BLACK)	1	
7	43753-96310	TUBE, THROTTLE CABLE	1	
8	09116-08149	BOLT (8X22)	4	
9	09160-40005	WASHER (40X58X2)	1	
10	09284-40001	OIL SEAL (40X49X4)	1	
11	09306-22004	BUSH	2	
12	43411-96300	ADJUSTER, STEERING	1	
13	43421-91L00	BUSH	1	
14	09119-08104	BOLT (8X23)	1	
15	09440-12036	SPRING	1	
16	45231-91L00	ARM, REVERSE LOCK	1	
17	45246-91L00	SPACER	1	
18	45241-91L00	LINK, REVERSE LOCK ARM	1	
19	45252-91L00	LINK, RELEASE LEVER	1	
20	45255-96302	KNOB, RELEASE LEVER	1	
21	45257-96300	BUSH, RELEASE LEVER	1	
22	45260-96300	LEVER, RELEASE	1	
23	09160-04012	WASHER (4.2X10X1)	1	
24	45311-91L00-OEP	BRACKET, RELEASE LEVER (BLACK)	1	
25	09116-05010	BOLT (5X12)	2	
26	09111-10066	BOLT (10X16.5)	2	
27	09140-10032	NUT	2	
28	09200-05011	PIN (5X101)	1	
29	09204-01002	PIN	1	
30	09319-04001	BUSH	1	
31	09440-04021	SPRING	1	
32	09443-05013	SPRING	1	
33	09443-09036	SPRING	1	
34	09205-02006	SPRING PIN (2X12)	1	

FIG.53

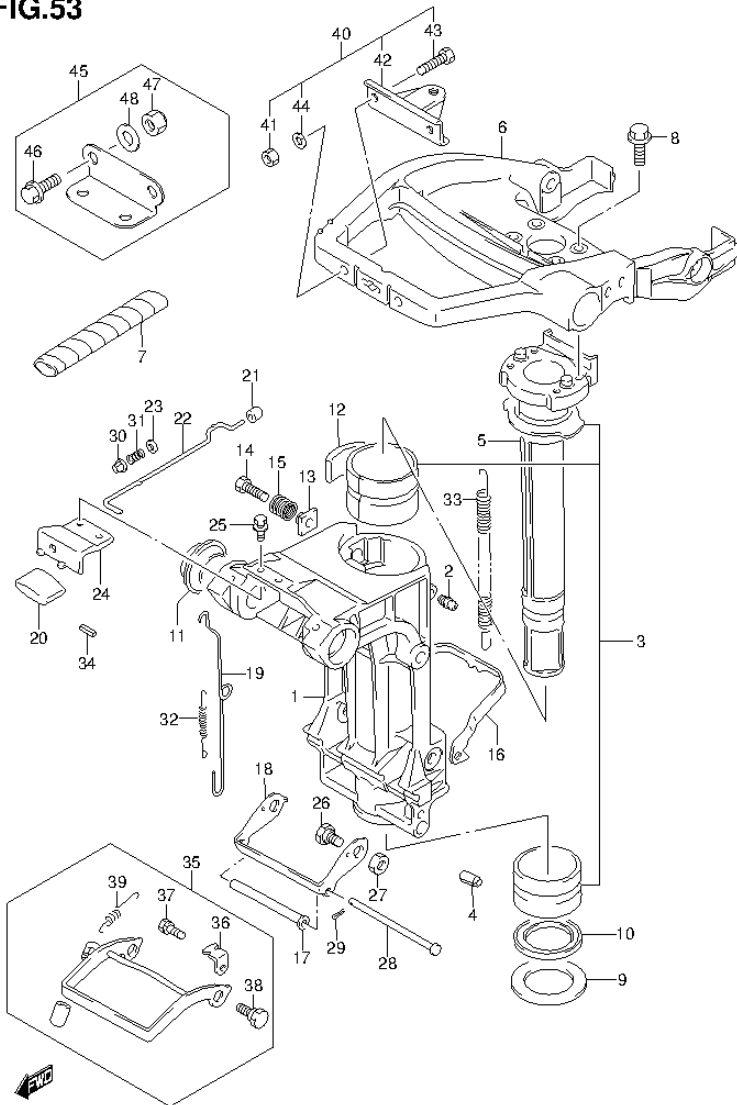


FIG.53 (1-F-7) SWIVEL BRACKET (DT30 P40)

REF NO.	PART NO.	DESCRIPTION	Q'TY	REMARKS
35	45700-91L10	SHALLOW DRIVE ASSY	1	
36	45731-96312	.PLATE	1	
37	09116-06225	.BOLT (6X15)	1	
38	09111-10067	.BOLT (10X20.5)	2	
39	09443-08031	.SPRING	1	
40	67100-96300	ATTACHMENT, STEERING ROPE END	1	OPT
41	09140-08023-XC0	.NUT	2	OPT
42	43755-96320	ATTACHMENT, STEERING BRACKET	1	OPT
43	09100-08309	.BOLT (8X35)	2	OPT
44	29162-93J10	.LOCK WASHER	2	OPT
45	67110-99710	ATTACHMENT SET, STRG ROPE END	1	OPT
46	29116-93J10	.BOLT	2	OPT
47	09159-08059	.NUT	2	OPT
48	09160-08082	.WASHER (8.5X16X1.2)	2	OPT

FIG.54

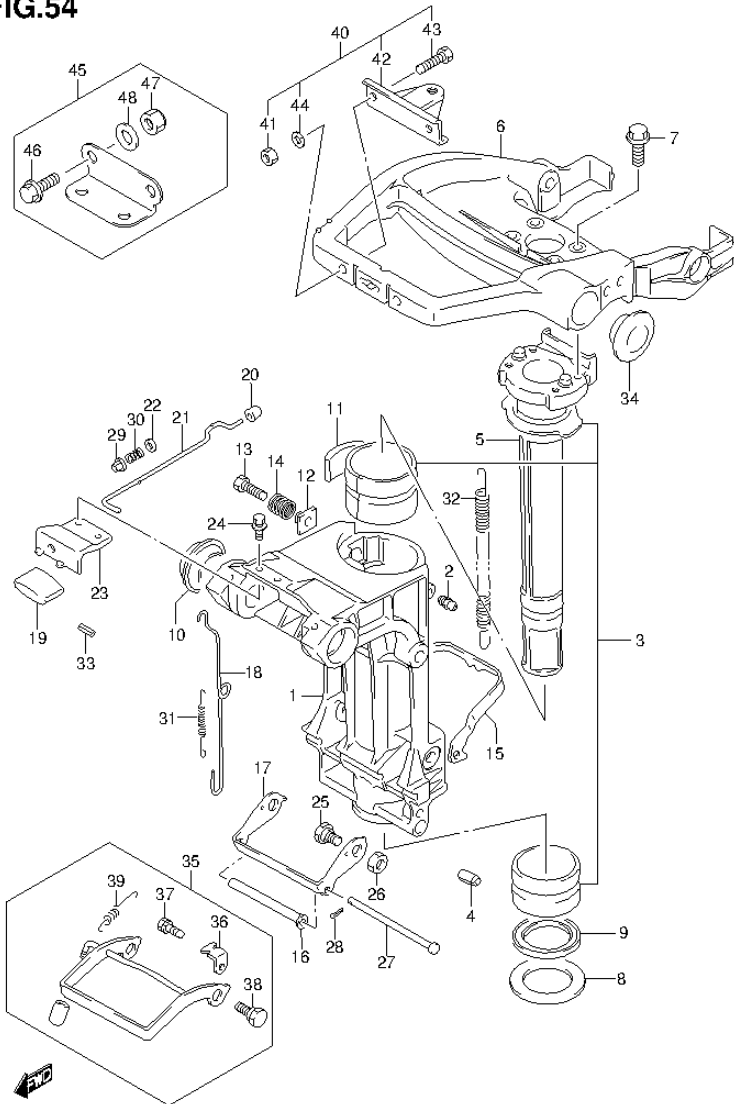


FIG.54 (1-F-8) SWIVEL BRACKET (DT30R P40)

REF NO.	PART NO.	DESCRIPTION	Q'TY	REMARKS
1	43111-91L02-OEP	BRACKET, SWIVEL (BLACK)	1	
2	22511-99011	NIPPLE, SWIVEL BRKT GREASE	4	
3	43710-91L00	BUSH SET, STEERING	1	
4	09205-06013	SPRING PIN (6X16)	1	
5	43741-91L00-OEP	SHAFT, PILOT (BLACK)	1	
6	43751-91L00-OEP	BRACKET, STEERING (BLACK)	1	
7	09116-08149	BOLT (8X22)	4	
8	09160-40005	WASHER (40X58X2)	1	
9	09284-40001	OIL SEAL (40X49X4)	1	
10	09306-22004	BUSH	2	
11	43411-96300	ADJUSTER, STEERING	1	
12	43421-91L00	BUSH	1	
13	09119-08104	BOLT (8X23)	1	
14	09440-12036	SPRING	1	
15	45231-91L00	ARM, REVERSE LOCK	1	
16	45246-91L00	SPACER	1	
17	45241-91L00	LINK, REVERSE LOCK ARM	1	
18	45252-91L00	LINK, RELEASE LEVER	1	
19	45255-96302	KNOB, RELEASE LEVER	1	
20	45257-96300	BUSH, RELEASE LEVER	1	
21	45260-96300	LEVER, RELEASE	1	
22	09160-04012	WASHER (4.2X10X1)	1	
23	45311-91L00-OEP	BRACKET, RELEASE LEVER (BLACK)	1	
24	09116-05010	BOLT (5X12)	2	
25	09111-10066	BOLT (10X16.5)	2	
26	09140-10032	NUT	2	
27	09200-05011	PIN (5X101)	1	
28	09204-01002	PIN	1	
29	09319-04001	BUSH	1	
30	09440-04021	SPRING	1	
31	09443-05013	SPRING	1	
32	09443-09036	SPRING	1	
33	09205-02006	SPRING PIN (2X12)	1	
34	09250-33001	CAP (OD:40)	1	

FIG.54

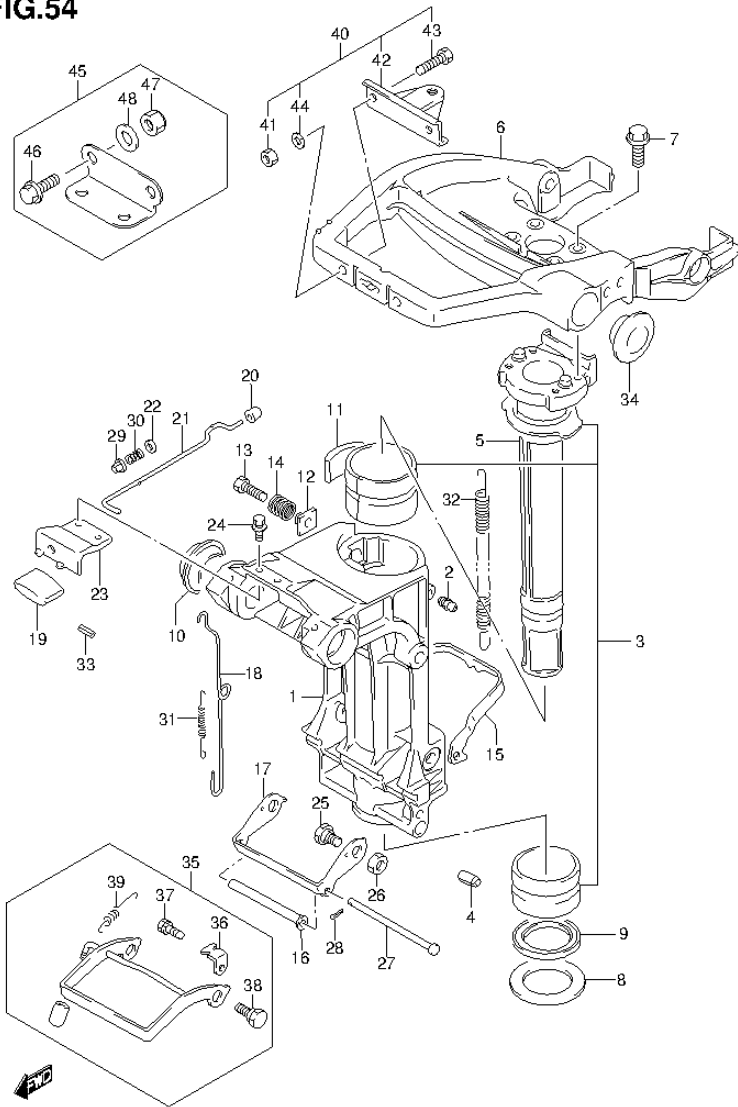


FIG.54 (1-F-9) SWIVEL BRACKET (DT30R P40)

REF NO.	PART NO.	DESCRIPTION	Q'TY	REMARKS
35	45700-91L10	SHALLOW DRIVE ASSY	1	
36	45731-96312	.PLATE	1	
37	09116-06225	.BOLT (6X15)	1	
38	09111-10067	.BOLT (10X20.5)	2	
39	09443-08031	.SPRING	1	
40	67100-96300	ATTACHMENT, STEERING ROPE END	1	OPT
41	09140-08023-XC0	.NUT	2	OPT
42	43755-96320	ATTACHMENT, STEERING BRACKET	1	OPT
43	09100-08309	.BOLT (8X35)	2	OPT
44	29162-93J10	.LOCK WASHER	2	OPT
45	67110-99710	ATTACHMENT SET, STRG ROPE END	1	OPT
46	29116-93J10	.BOLT	2	OPT
47	09159-08059	.NUT	2	OPT
48	09160-08082	.WASHER (8.5X16X1.2)	2	OPT

FIG.55

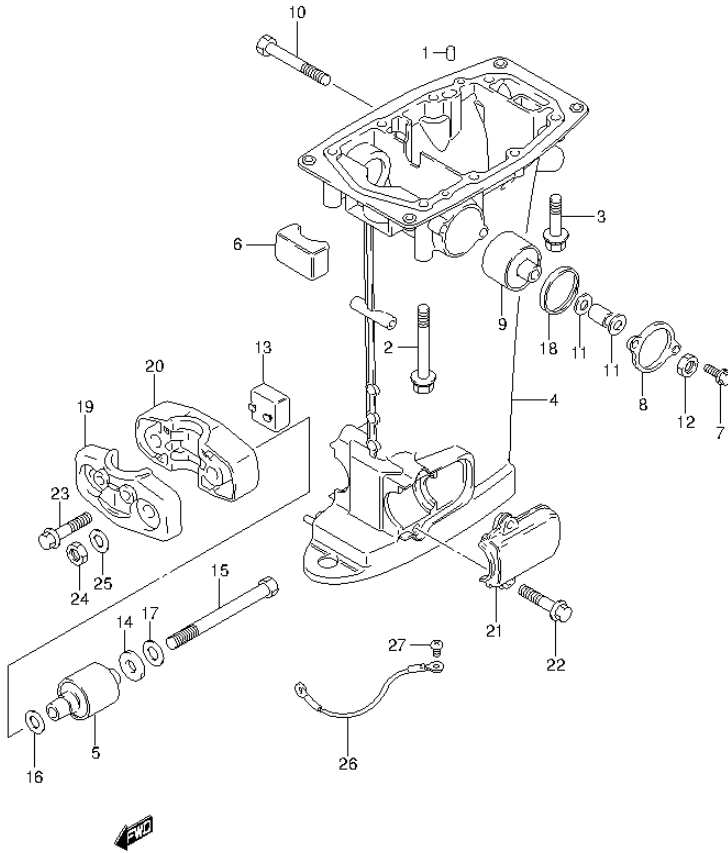


FIG.55 (1-F-10) DRIVE SHAFT HOUSING (DT25K P36)

REF NO.	PART NO.	DESCRIPTION	Q'TY	REMARKS
1	09202-06023	PIN (6X10)	2	
2	09118-08172	BOLT (8X85)	4	
3	09118-08169	BOLT (8X52)	4	
4	52110-91L30-0EP	HOUSING, DRIVE SHAFT (L) (BLACK)	1	
5	54160-96310	MOUNTING, LOWER	2	
6	54121-96301	MOUNTING, UPPER THRUST REVERSE	1	
7	09116-06226	BOLT (6X16)	4	
8	54137-91L10-0EP	COVER, UPPER MOUNT (BLACK)	2	
9	54130-96320	MOUNTING, UPPER	2	
10	09100-10318	BOLT (10X75)	2	
11	09160-10082	WASHER (10.5X19X2)	4	
12	09159-10L07	NUT	2	
13	54151-96300	MOUNTING, LOWER THRUST	1	
14	54165-96310	DAMPER, REVERSE STOPPER	2	
15	09100-10319	BOLT (10X125)	2	
16	09160-10082	WASHER (10.5X19X2)	2	
17	09160-10083	WASHER (10.5X30X3.2)	2	
18	54138-96300	SLEEVE, UPPER MOUNT	2	
19	54211-91L10-0EP	BRACKET, LOWER MOUNT FRONT (BLACK)	1	
20	54212-91L10-0EP	BRACKET, LOWER MOUNT REAR (BLACK)	1	
21	54221-91L10-0EP	COVER, LOWER MOUNT (BLACK)	2	
22	09116-06232	BOLT (6X30)	4	
23	09116-08154	BOLT (8X40)	2	
24	09159-10L07	NUT	2	
25	09160-10082	WASHER (10.5X19X2)	2	
26	36894-95201	LEAD (L:165)	1	
27	29125-93J10	SCREW (5X8)	2	



FIG.56

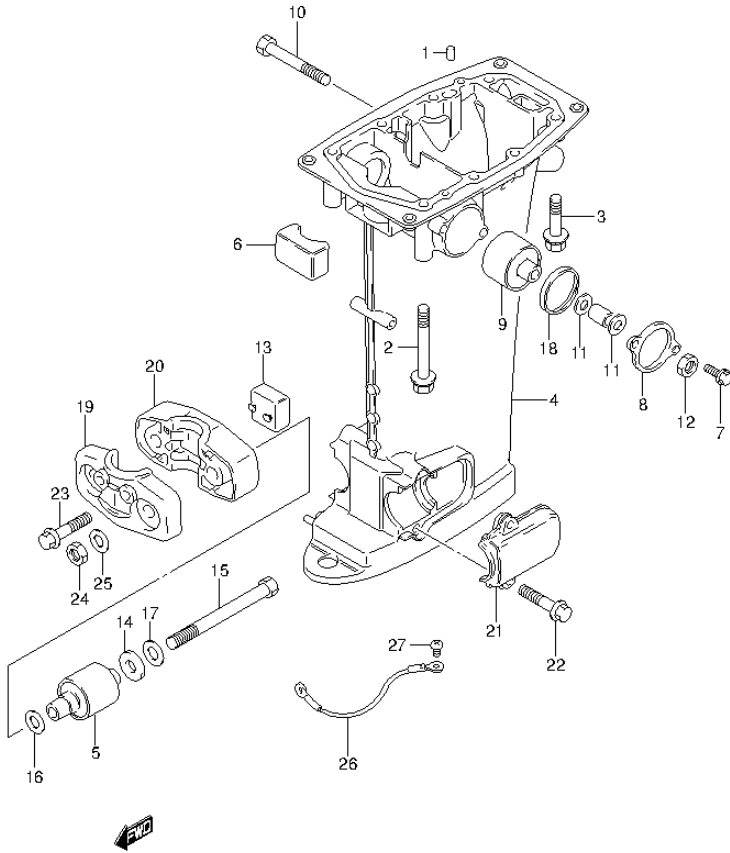


FIG.56 (1-F-11) DRIVE SHAFT HOUSING (DT30 P40)

REF NO.	PART NO.	DESCRIPTION	Q'TY	REMARKS
1	09202-06023	PIN (6X10)	2	
2	09118-08172	BOLT (8X85)	4	
3	09118-08169	BOLT (8X52)	4	
4-1	52110-91L20-0EP	HOUSING, DRIVE SHAFT (S) (BLACK)	1	W/TRANSOM(S)
4-2	52110-91L30-0EP	HOUSING, DRIVE SHAFT (L) (BLACK)	1	W/TRANSOM(L)
5	54160-96310	MOUNTING, LOWER	2	
6	54121-96301	MOUNTING, UPPER THRUST REVERSE	1	
7	09116-06226	BOLT (6X16)	4	
8	54137-91L10-0EP	COVER, UPPER MOUNT (BLACK)	2	
9	54130-96320	MOUNTING, UPPER	2	
10	09100-10318	BOLT (10X75)	2	
11	09160-10082	WASHER (10.5X19X2)	4	
12	09159-10L07	NUT	2	
13	54151-96300	MOUNTING, LOWER THRUST	1	
14	54165-96310	DAMPER, REVERSE STOPPER	2	
15	09100-10319	BOLT (10X125)	2	
16	09160-10082	WASHER (10.5X19X2)	2	
17	09160-10083	WASHER (10.5X30X3.2)	2	
18	54138-96300	SLEEVE, UPPER MOUNT	2	
19	54211-91L10-0EP	BRACKET, LOWER MOUNT FRONT (BLACK)	1	
20	54212-91L10-0EP	BRACKET, LOWER MOUNT REAR (BLACK)	1	
21	54221-91L10-0EP	COVER, LOWER MOUNT (BLACK)	2	
22	09116-06232	BOLT (6X30)	4	
23	09116-08154	BOLT (8X40)	2	
24	09159-10L07	NUT	2	
25	09160-10082	WASHER (10.5X19X2)	2	
26	36894-95201	LEAD (L:165)	1	
27	29125-93J10	SCREW (5X8)	2	

FIG.57

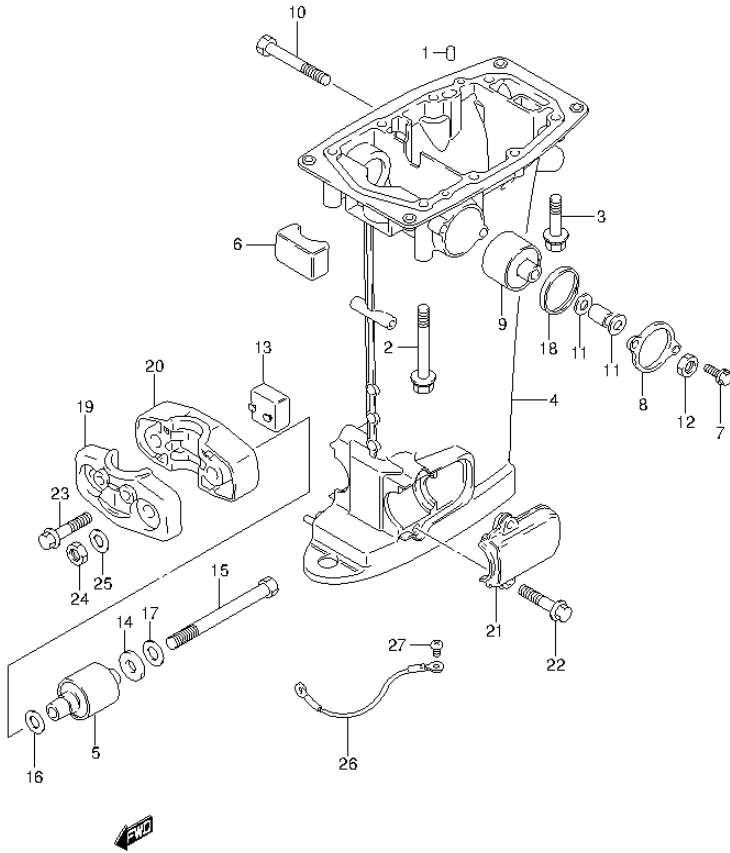


FIG.57 (1-F-12) DRIVE SHAFT HOUSING (DT30R P40)

REF NO.	PART NO.	DESCRIPTION	Q'TY	REMARKS
1	09202-06023	PIN (6X10)	2	
2	09118-08172	BOLT (8X85)	4	
3	09118-08169	BOLT (8X52)	4	
4-1	52110-91L20-0EP	HOUSING, DRIVE SHAFT (S) (BLACK)	1	W/TRANSOM(S)
4-2	52110-91L30-0EP	HOUSING, DRIVE SHAFT (L) (BLACK)	1	W/TRANSOM(L)
5	54160-96310	MOUNTING, LOWER	2	
6	54121-96301	MOUNTING, UPPER THRUST REVERSE	1	
7	09116-06226	BOLT (6X16)	4	
8	54137-91L10-0EP	COVER, UPPER MOUNT (BLACK)	2	
9	54130-96320	MOUNTING, UPPER	2	
10	09100-10318	BOLT (10X75)	2	
11	09160-10082	WASHER (10.5X19X2)	4	
12	09159-10L07	NUT	2	
13	54151-96300	MOUNTING, LOWER THRUST	1	
14	54165-96310	DAMPER, REVERSE STOPPER	2	
15	09100-10319	BOLT (10X125)	2	
16	09160-10082	WASHER (10.5X19X2)	2	
17	09160-10083	WASHER (10.5X30X3.2)	2	
18	54138-96300	SLEEVE, UPPER MOUNT	2	
19	54211-91L10-0EP	BRACKET, LOWER MOUNT FRONT (BLACK)	1	
20	54212-91L10-0EP	BRACKET, LOWER MOUNT REAR (BLACK)	1	
21	54221-91L10-0EP	COVER, LOWER MOUNT (BLACK)	2	
22	09116-06232	BOLT (6X30)	4	
23	09116-08154	BOLT (8X40)	2	
24	09159-10L07	NUT	2	
25	09160-10082	WASHER (10.5X19X2)	2	
26	36894-95201	LEAD (L:165)	1	
27	29125-93J10	SCREW (5X8)	2	

FIG.58

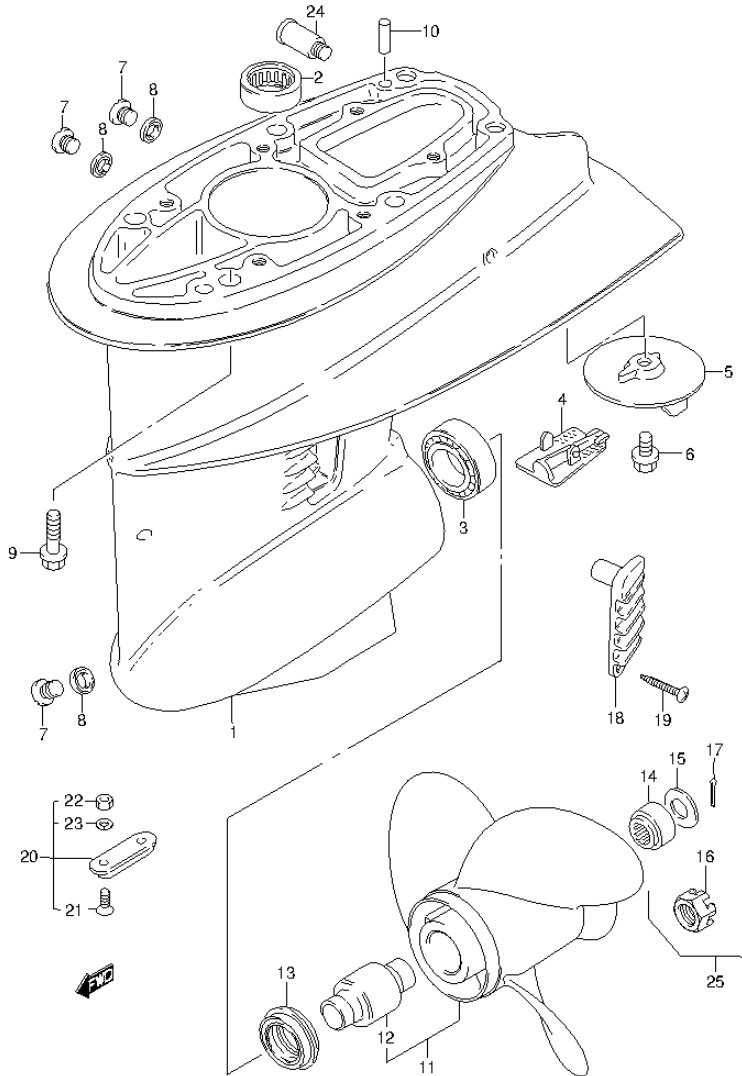


FIG.58 (1-F-13) GEAR CASE (DT25K P36)

REF NO.	PART NO.	DESCRIPTION	Q'TY	REMARKS
1	55100-91L20-0EP	CASE ASSY, GEAR (BLACK)	1	
2	09263-20046	.BEARING (20.6X27X25.4)	1	
3	09265-25L01	.BEARING (25X52X16.25)	1	
4	55114-96310	.COVER, GEAR CASE	1	
5	55125-96310	TRIM TAB	1	
6	09116-08147	BOLT (8X16)	1	
7	09248-10008	PLUG (10X7.5)	3	
8	09168-10022	GASKET (10X17X1.5)	3	
9	09116-08154	BOLT (8X40)	6	
10	09202-06015	KNOCK PIN (L:20)	2	
11-1	58100-96371-019	PROPELLER (3X10-1/4X9) (BLACK)	1	
11-2	58100-96411-019	PROPELLER (3X10-1/4X10) (BLACK)	1	
11-3	58100-96421-019	PROPELLER (3X10-1/4X11) (BLACK)	1	
11-4	58100-91L00-019	PROPELLER (3X10-1/4X12) (BLACK)	1	
11-5	58100-91L10-019	PROPELLER (3X10-1/4X13) (BLACK)	1	
11-6	58200-96400	PROPELLER (3X10-1/4X13)	1	OPT PS1300 SUS
11-7	58100-95D01-019	PROPELLER (3X10-1/4X14) (BLACK)	1	
11-8	58100-96471-019	PROPELLER (3X10-1/4X10) (BLACK)	1	
11-9	58100-96481-019	PROPELLER (3X10-1/4X12) (BLACK)	1	
12	58120-96401	.BUSH	1	
13	57632-91L00	STOPPER, PROPELLER BUSH	1	
14	57633-96300	SPACER, PROPELLER NUT	1	
15	09160-14028	WASHER (14.5X30X2.5)	1	
16	09141-14008	NUT	1	
17	09204-03003	COTTER PIN (D:3.6,L:25)	1	
18	17631-91L00	FILTER, WATER	2	

FIG.58

FIG.58 (1-F-14) GEAR CASE (DT25K P36)

REF NO.	PART NO.	DESCRIPTION	Q'TY	REMARKS
19	03142-04259	SCREW	2	
20	55300-95500	ZINC ASSY, PROTECTION	1	OPT
21	09126-06006	.SCREW (6X20)	2	OPT
22	29141-93J00	.NUT	2	OPT
23	29162-93J00	.LOCK WASHER (6.1X12.2X1.5)	2	OPT
24	55181-95200	ATTACHMENT, FLUSH HOSE	1	OPT
25	57630-96300	KIT, PROPELLER NUT	1	OPT

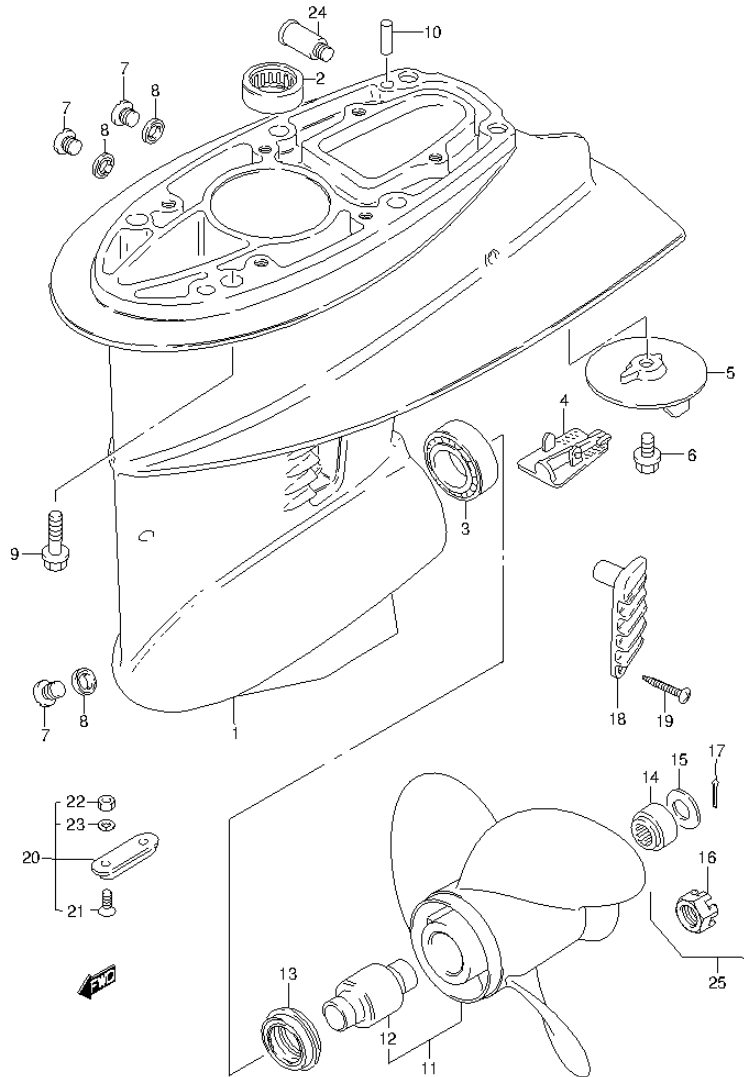


FIG.59

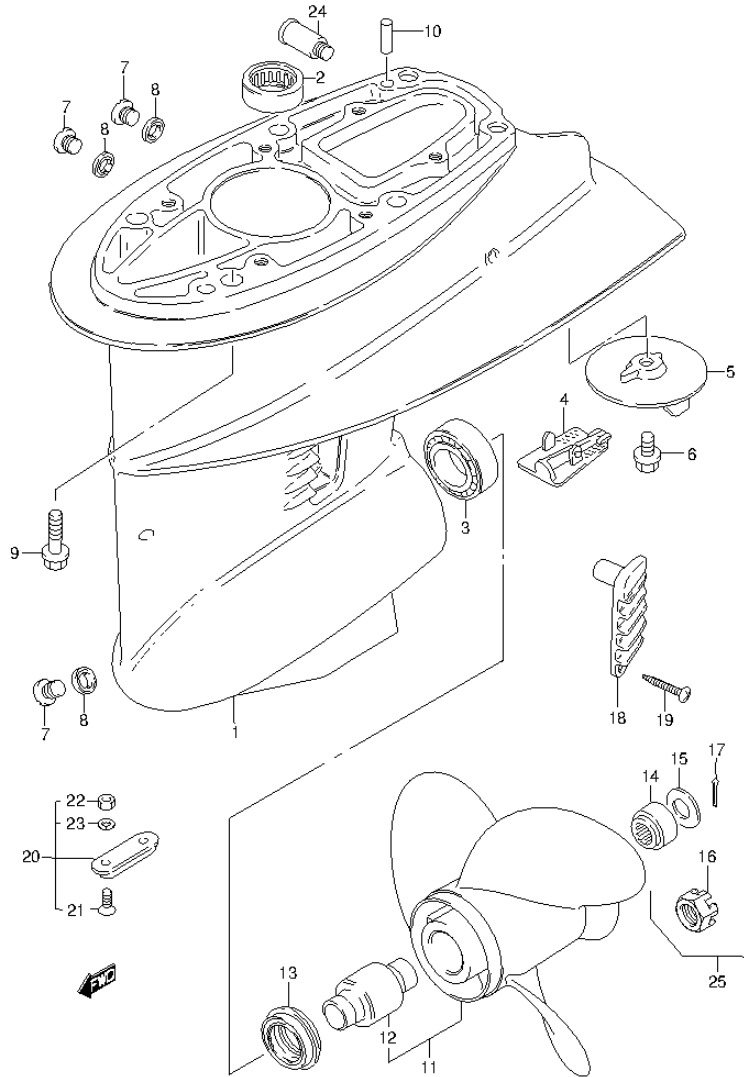


FIG.59 (1-F-15) GEAR CASE (DT30 P40)

REF NO.	PART NO.	DESCRIPTION	Q'TY	REMARKS
1	55100-91L30-0EP	CASE ASSY, GEAR (BLACK)	1	
2	09263-20046	.BEARING (20.6X27X25.4)	1	
3	09265-25015	.BEARING (25X52X19.25)	1	
4	55114-96310	.COVER, GEAR CASE	1	
5	55125-96310	TRIM TAB	1	
6	09116-08147	BOLT (8X16)	1	
7	09248-10008	PLUG (10X7.5)	3	
8	09168-10022	GASKET (10X17X1.5)	3	
9	09116-08154	BOLT (8X40)	6	
10	09202-06015	KNOCK PIN (L:20)	2	
11-1	58100-96371-019	PROPELLER (3X10-1/4X9) (BLACK)	1	
11-2	58100-96411-019	PROPELLER (3X10-1/4X10) (BLACK)	1	
11-3	58100-96421-019	PROPELLER (3X10-1/4X11) (BLACK)	1	
11-4	58100-91L00-019	PROPELLER (3X10-1/4X12) (BLACK)	1	
11-5	58100-91L10-019	PROPELLER (3X10-1/4X13) (BLACK)	1	
11-6	58200-96400	PROPELLER (3X10-1/4X13)	1	OPT PS1300 SUS
11-7	58100-95D01-019	PROPELLER (3X10-1/4X14) (BLACK)	1	
11-8	58100-96471-019	PROPELLER (3X10-1/4X10) (BLACK)	1	
11-9	58100-96481-019	PROPELLER (3X10-1/4X12) (BLACK)	1	
12	58120-96401	.BUSH	1	
13	57632-91L00	STOPPER, PROPELLER BUSH	1	
14	57633-96300	SPACER , PROPELLER NUT	1	
15	09160-14028	WASHER (14.5X30X2.5)	1	
16	09141-14008	NUT	1	
17	09204-03003	COTTER PIN (D:3.6,L:25)	1	
18	17631-91L00	FILTER, WATER	2	

FIG.59

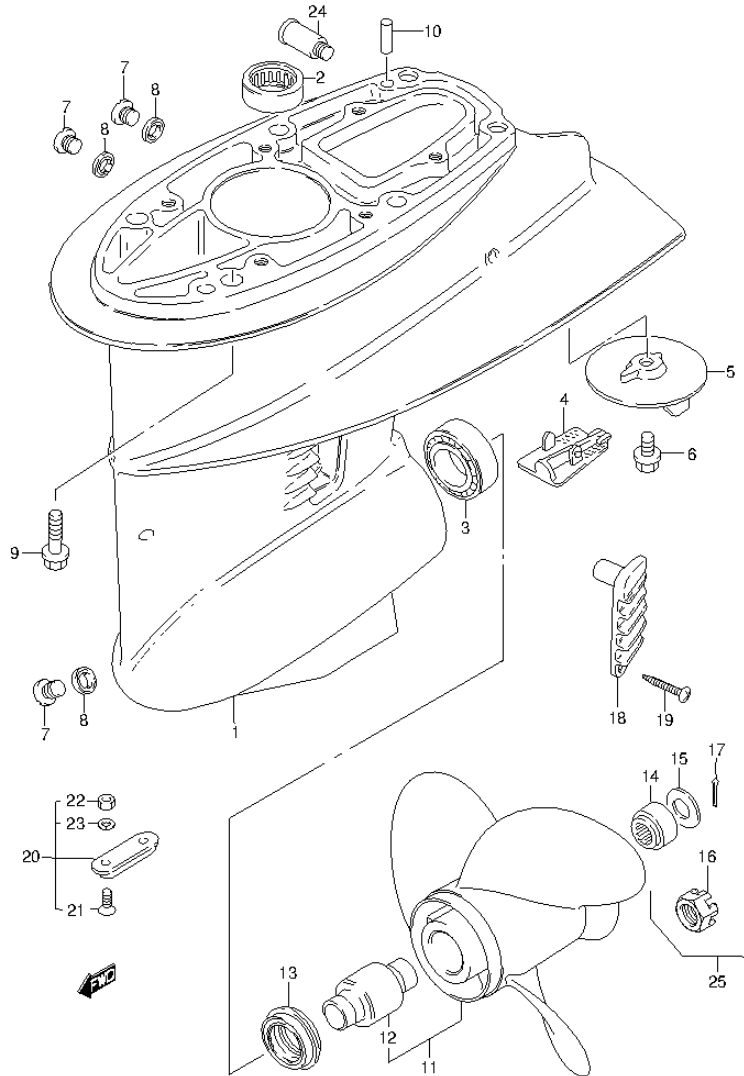


FIG.59 (1-G-2) GEAR CASE (DT30 P40)

REF NO.	PART NO.	DESCRIPTION	Q'TY	REMARKS
19	03142-04259	SCREW	2	
20	55300-95500	ZINC ASSY, PROTECTION	1	OPT
21	09126-06006	.SCREW (6X20)	2	OPT
22	29141-93J00	.NUT	2	OPT
23	29162-93J00	.LOCK WASHER (6.1X12.2X1.5)	2	OPT
24	55181-95200	ATTACHMENT, FLUSH HOSE	1	OPT
25	57630-96300	KIT, PROPELLER NUT	1	OPT

FIG.60

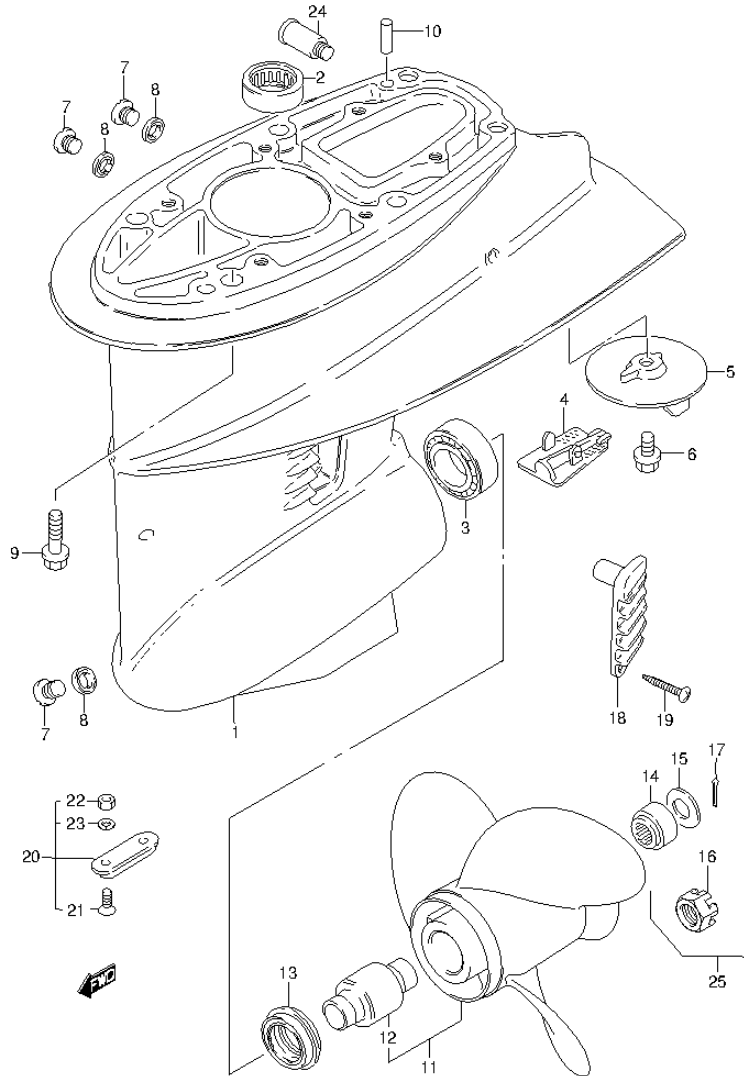


FIG.60 (1-G-3) GEAR CASE (DT30R P40)

REF NO.	PART NO.	DESCRIPTION	Q'TY	REMARKS
1	55100-91L20-0EP	CASE ASSY, GEAR (BLACK)	1	
2	09263-20046	.BEARING (20.6X27X25.4)	1	
3	09265-25L01	.BEARING (25X52X16.25)	1	
4	55114-96310	.COVER, GEAR CASE	1	
5	55125-96310	TRIM TAB	1	
6	09116-08147	BOLT (8X16)	1	
7	09248-10008	PLUG (10X7.5)	3	
8	09168-10022	GASKET (10X17X1.5)	3	
9	09116-08154	BOLT (8X40)	6	
10	09202-06015	KNOCK PIN (L:20)	2	
11-1	58100-96371-019	PROPELLER (3X10-1/4X9) (BLACK)	1	
11-2	58100-96411-019	PROPELLER (3X10-1/4X10) (BLACK)	1	
11-3	58100-96421-019	PROPELLER (3X10-1/4X11) (BLACK)	1	
11-4	58100-91L00-019	PROPELLER (3X10-1/4X12) (BLACK)	1	
11-5	58100-91L10-019	PROPELLER (3X10-1/4X13) (BLACK)	1	
11-6	58200-96400	PROPELLER (3X10-1/4X13)	1	OPT PS1300 SUS
11-7	58100-95D01-019	PROPELLER (3X10-1/4X14) (BLACK)	1	
11-8	58100-96471-019	PROPELLER (3X10-1/4X10) (BLACK)	1	
11-9	58100-96481-019	PROPELLER (3X10-1/4X12) (BLACK)	1	
12	58120-96401	.BUSH	1	
13	57632-91L00	STOPPER, PROPELLER BUSH	1	
14	57633-96300	SPACER, PROPELLER NUT	1	
15	09160-14028	WASHER (14.5X30X2.5)	1	
16	09141-14008	NUT	1	
17	09204-03003	COTTER PIN (D:3.6,L:25)	1	
18	17631-91L00	FILTER, WATER	2	

FIG.60

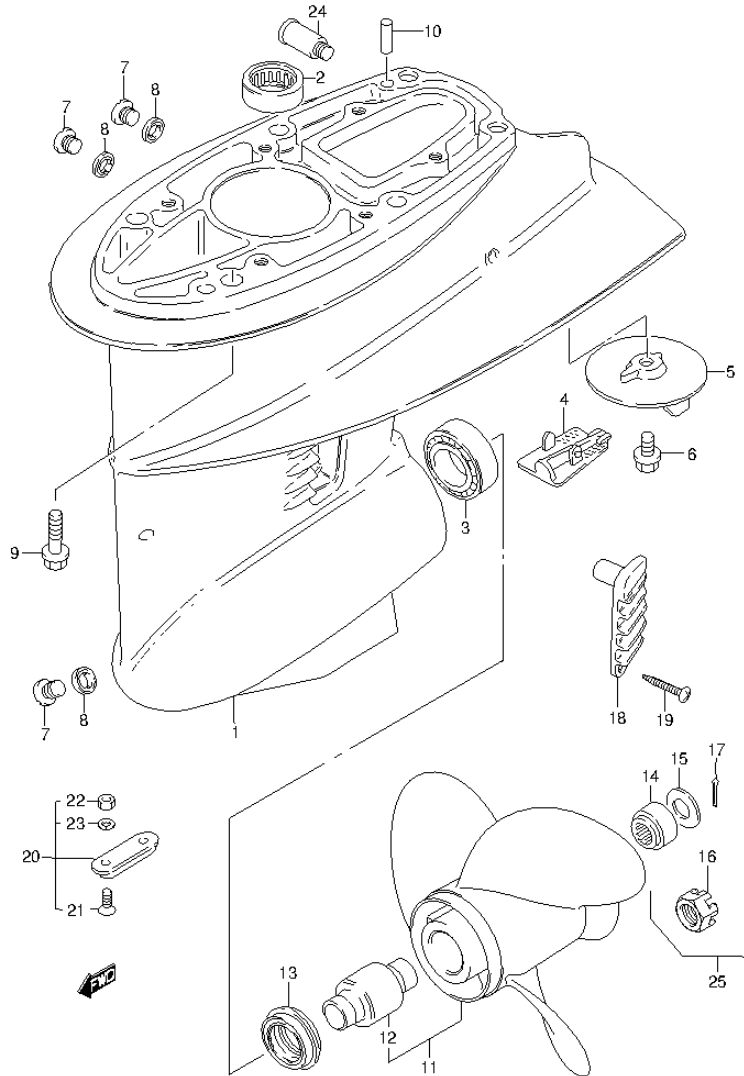


FIG.60 (1-G-4) GEAR CASE (DT30R P40)

REF NO.	PART NO.	DESCRIPTION	Q'TY	REMARKS
19	03142-04259	SCREW	2	
20	55300-95500	ZINC ASSY, PROTECTION	1	OPT
21	09126-06006	.SCREW (6X20)	2	OPT
22	29141-93J00	.NUT	2	OPT
23	29162-93J00	.LOCK WASHER (6.1X12.2X1.5)	2	OPT
24	55181-95200	ATTACHMENT, FLUSH HOSE	1	OPT
25	57630-96300	KIT, PROPELLER NUT	1	OPT



FIG.61

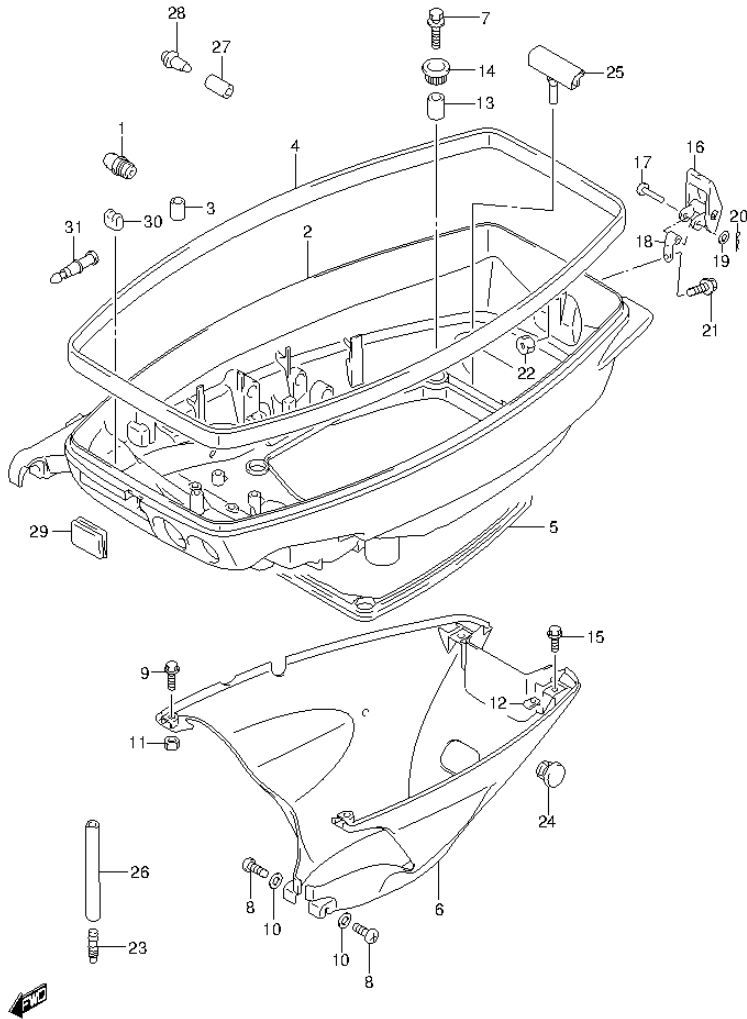


FIG.61 (1-G-5) UNDER COVER (DT25K P36)

REF NO.	PART NO.	DESCRIPTION	Q'TY	REMARKS
1	22511-99011	NIPPLE	1	
2	61110-91L20-0EP	COVER, ENGINE LOWER (BLACK)	1	
3	09205-10006	.SPRING PIN (10.2X10)	1	
4	61112-91L00	RUBBER, UNDER COVER	1	
5	61113-91L00	SEAL, UNDER COVER	1	
6	61131-91L00-RB4	COVER, ENGINE HOLDER (BLACK)	1	
7	09116-06230	BOLT (6X25)	4	
8	09125-05046	SCREW (5X12)	2	
9	09116-06223	BOLT (6X12)	2	
10	09160-05029	WASHER (5.5X12X0.8)	2	
11	09140-06020	NUT	2	
12	09148-06017	NUT	2	
13	09180-06289	SPACER (6.5X10X11.5)	4	
14	09320-10068	CUSHION	4	
15	09116-06227	BOLT (6X20)	2	
16	61610-90L00	FASTENER	1	
17	61616-93EL0	PIN, LEVER	1	
18	61642-90L00	HOLDER, FASTENER LEVER	1	
19	09161-04012	WASHER (4.2X11X1)	1	
20	09385-04003	CLIP	1	
21	09116-06225	BOLT (6X15)	1	
22	08310-00067	NUT	1	
23	61155-94500	TUBE, WATER INSPECTION	1	
24	09250-08007	CAP (OD:16)	2	
25	61138-944L0	COVER, WATER	1	
26	09352-50903-600	HOSE (5X9X600)	1	L:600->40
27	09352-70121-600	HOSE (7X12.1X600)	1	L:600->15
28	09409-08308-5ES	CLIP (BLACK)	1	
29	39669-94400	PLUG, LOWER COVER	1	
30	13625-94300	CAP, CHOKE ROD GUIDE	1	
31	36615-96300	TERMINAL, RESIN	2	

FIG.62

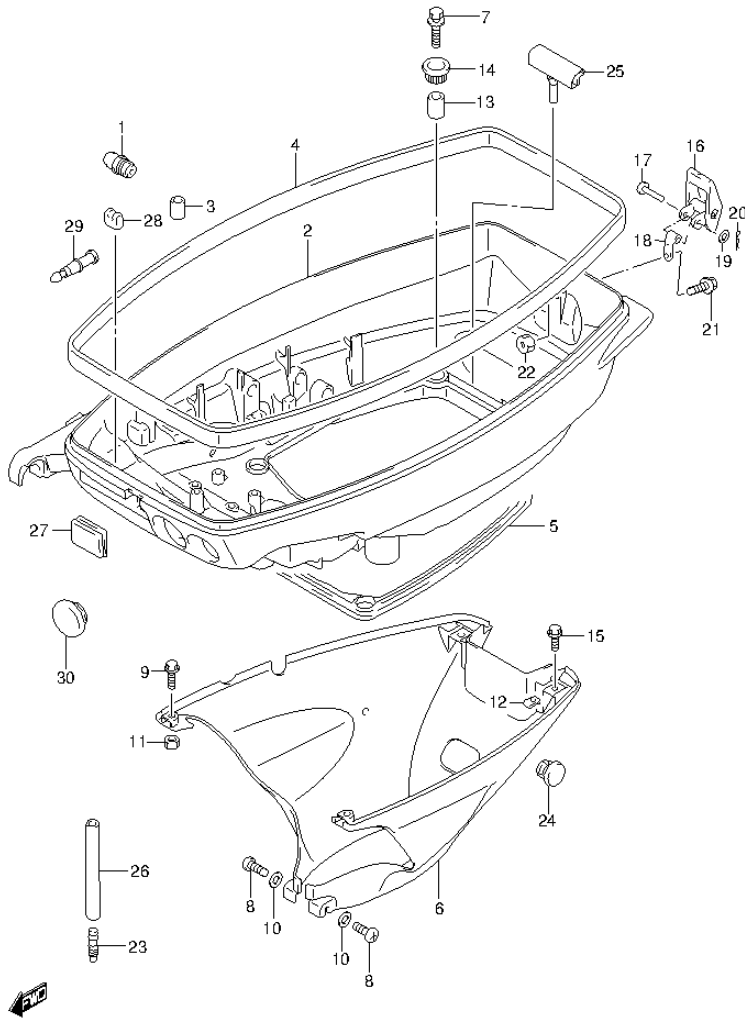


FIG.62 (1-G-6) UNDER COVER (DT30 P40)

REF NO.	PART NO.	DESCRIPTION	Q'TY	REMARKS
1	22511-99011	NIPPLE	1	
2	61110-91L20-0EP	COVER, ENGINE LOWER (BLACK)	1	
3	09205-10006	.SPRING PIN (10.2X10)	1	
4	61112-91L00	RUBBER, UNDER COVER	1	
5	61113-91L00	SEAL, UNDER COVER	1	
6	61131-91L00-RB4	COVER, ENGINE HOLDER (BLACK)	1	
7	09116-06230	BOLT (6X25)	4	
8	09125-05046	SCREW (5X12)	2	
9	09116-06223	BOLT (6X12)	2	
10	09160-05029	WASHER (5.5X12X0.8)	2	
11	09140-06020	NUT	2	
12	09148-06017	NUT	2	
13	09180-06289	SPACER (6.5X10X11.5)	4	
14	09320-10068	CUSHION	4	
15	09116-06227	BOLT (6X20)	2	
16	61610-90L00	FASTENER	1	
17	61616-93E0	PIN, LEVER	1	
18	61642-90L00	HOLDER, FASTENER LEVER	1	
19	09161-04012	WASHER (4.2X11X1)	1	
20	09385-04003	CLIP	1	
21	09116-06225	BOLT (6X15)	1	
22	08310-00067	NUT	1	
23	61155-94500	TUBE, WATER INSPECTION	1	
24	09250-08007	CAP (OD:16)	2	
25	61138-944L0	COVER, WATER	1	
26	09352-50903-600	HOSE (5X9X600)	1	L:600->40
27	39669-94400	PLUG, LOWER COVER	1	W/MANUAL STARTER
28	13625-94300	CAP, CHOKE ROD GUIDE	1	
29	36615-96300	TERMINAL, RESIN	2	W/MANUAL STARTER
30	09250-21003	PLUG (OD:28)	1	W/MANUAL STARTER FOR STARTING SW HOLE

FIG.63

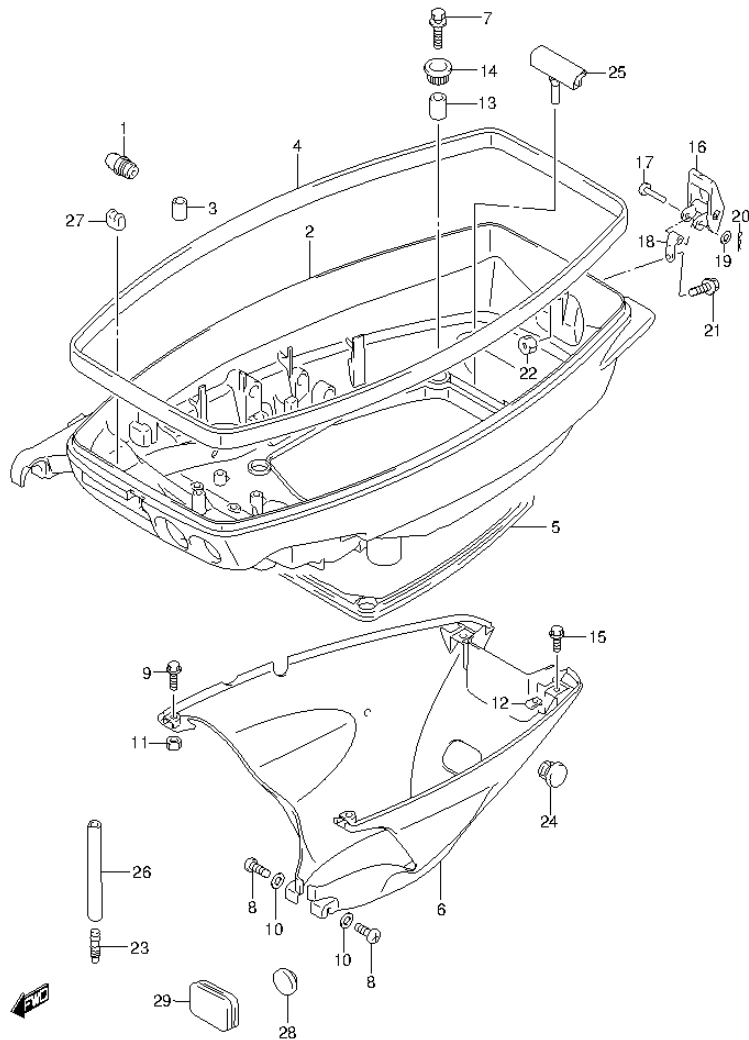


FIG.63 (1-G-7) UNDER COVER (DT30R P40)

REF NO.	PART NO.	DESCRIPTION	Q'TY	REMARKS
1	22511-99011	NIPPLE	1	
2	61110-91L20-0EP	COVER, ENGINE LOWER (BLACK)	1	
3	09205-10006	.SPRING PIN (10.2X10)	1	
4	61112-91L00	RUBBER, UNDER COVER	1	
5	61113-91L00	SEAL, UNDER COVER	1	
6	61131-91L00-RB4	COVER, ENGINE HOLDER (BLACK)	1	
7	09116-06230	BOLT (6X25)	4	
8	09125-05046	SCREW (5X12)	2	
9	09116-06223	BOLT (6X12)	2	
10	09160-05029	WASHER (5.5X12X0.8)	2	
11	09140-06020	NUT	2	
12	09148-06017	NUT	2	
13	09180-06289	SPACER (6.5X10X11.5)	4	
14	09320-10068	CUSHION	4	
15	09116-06227	BOLT (6X20)	2	
16	61610-90L00	FASTENER	1	
17	61616-93E0	PIN, LEVER	1	
18	61642-90L00	HOLDER, FASTENER LEVER	1	
19	09161-04012	WASHER (4.2X11X1)	1	
20	09385-04003	CLIP	1	
21	09116-06225	BOLT (6X15)	1	
22	08310-00067	NUT	1	
23	61155-94500	TUBE, WATER INSPECTION	1	
24	09250-08007	CAP (OD:16)	2	
25	61138-944L0	COVER, WATER	1	
26	09352-50903-600	HOSE (5X9X600)	1	L:600->40
27	13625-94300	CAP, CHOKE ROD GUIDE	1	
28	09250-16008	PLUG (OD:24)	1	EMG SW HOLE
29	63625-94300	CAP, THROTTLE CABLE	1	

FIG.64

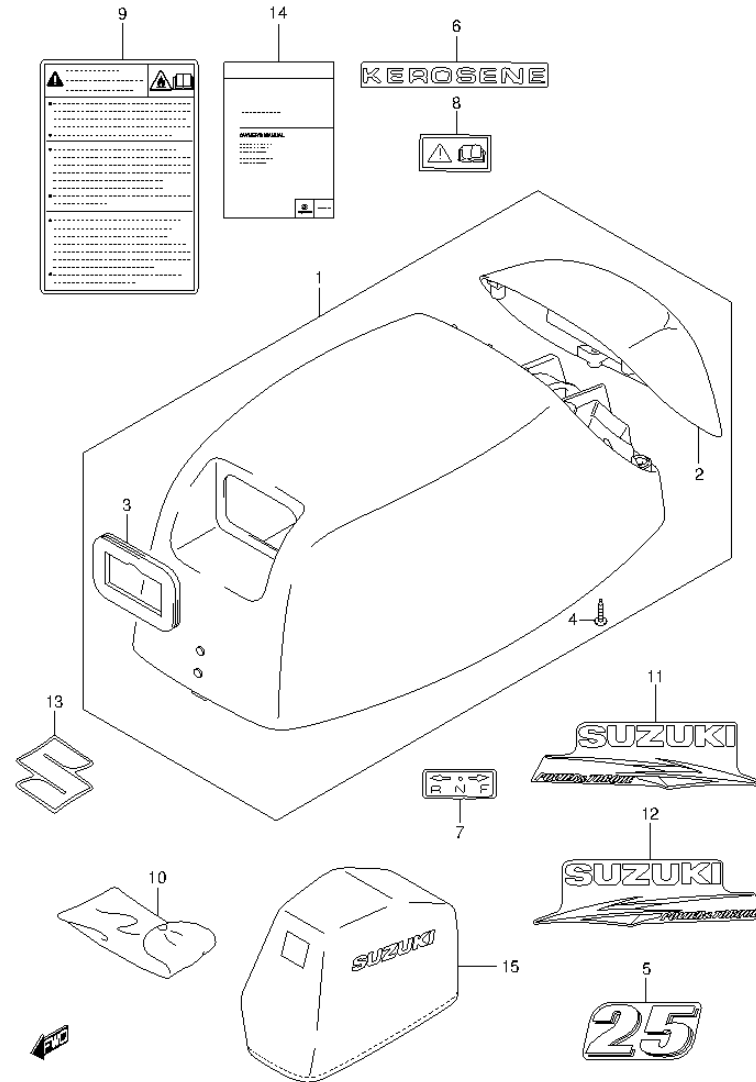


FIG.64 (1-G-8) ENGINE COVER (DT25K P36)

REF NO.	PART NO.	DESCRIPTION	Q'TY	REMARKS
1	61400-91L10-0EP	COVER SET, ENGINE (BLACK)	1	
2	61431-91L00-0EP	.HANDLE, TILT UP (BLACK)	1	
3	61622-96302	.RUBBER, RECOIL STARTER SEAL	1	
4	03542-06169	.SCREW	4	
5	61435-91L00	MARK, EMBLEM REAR (25)	1	
6	61449-93921	MARK, KEROSENE	1	
7	21131-94J00	MARK, CLUTCH SHIFT	1	
8	69712-93E10	LABEL, S.I.G.P.	1	
9	61458-89L00	LABEL, ENGINE COVER	1	
10	59800-90L00	TOOL ASSY	1	
11	61443-91L00	STRIPE, ENGINE COVER STBD	1	
12	61453-91L00	STRIPE, ENGINE COVER PORT	1	
13	68111-91L00	EMBLEM, "S"	1	
14	99011-91L50-063	MANUAL, OWNER'S	1	
15	68110-88L00	COVER, WEATHER	1	OPT

FIG.65

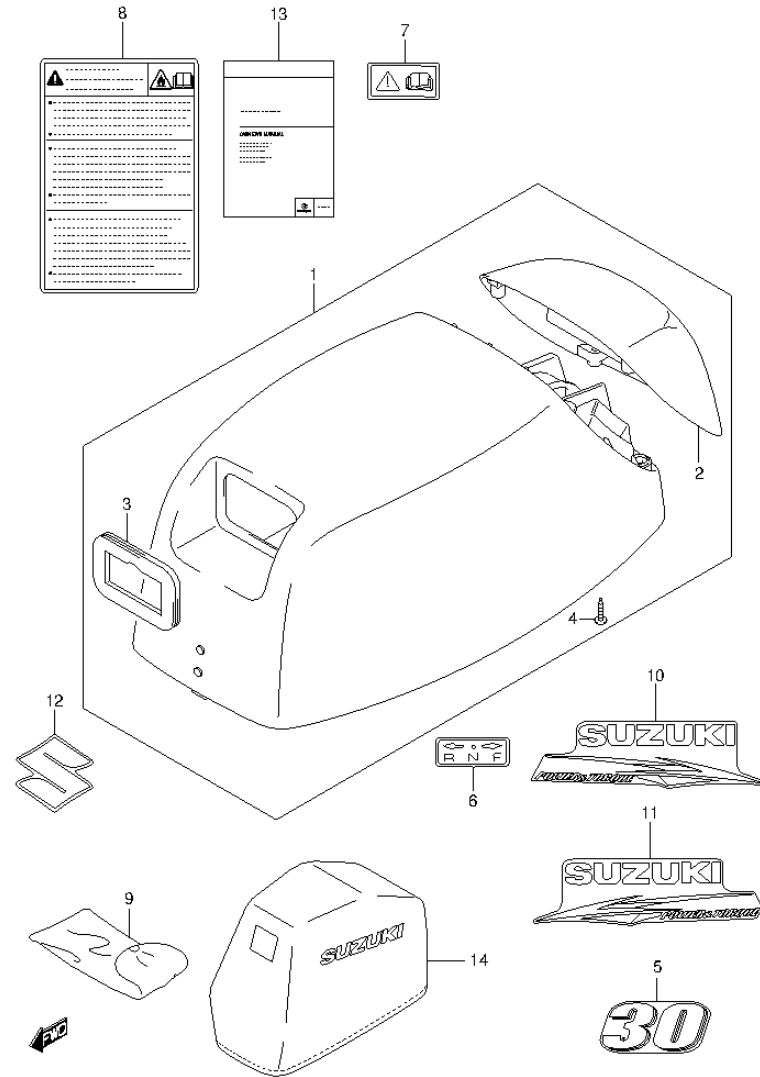


FIG.65 (1-G-9) ENGINE COVER (DT30 P40)

REF NO.	PART NO.	DESCRIPTION	Q'TY	REMARKS
1	61400-91L10-OEP	COVER SET, ENGINE (BLACK)	1	
2	61431-91L00-OEP	.HANDLE, TILT UP (BLACK)	1	
3	61622-96302	.RUBBER, RECOIL STARTER SEAL	1	
4	03542-06169	.SCREW	4	
5	61435-91L10	MARK, EMBLEM REAR (30)	1	
6	21131-94J00	MARK, CLUTCH SHIFT	1	
7	69712-93E10	LABEL, S.I.G.P.	1	
8	61458-89L00	LABEL, ENGINE COVER	1	
9	59800-90L00	TOOL ASSY	1	
10	61443-91L00	STRIPE, ENGINE COVER STBD	1	
11	61453-91L00	STRIPE, ENGINE COVER PORT	1	
12	68111-91L00	EMBLEM, "S"	1	
13	99011-91L40-063	MANUAL, OWNER'S	1	
14	68110-88L00	COVER, WEATHER	1	OPT

FIG.66

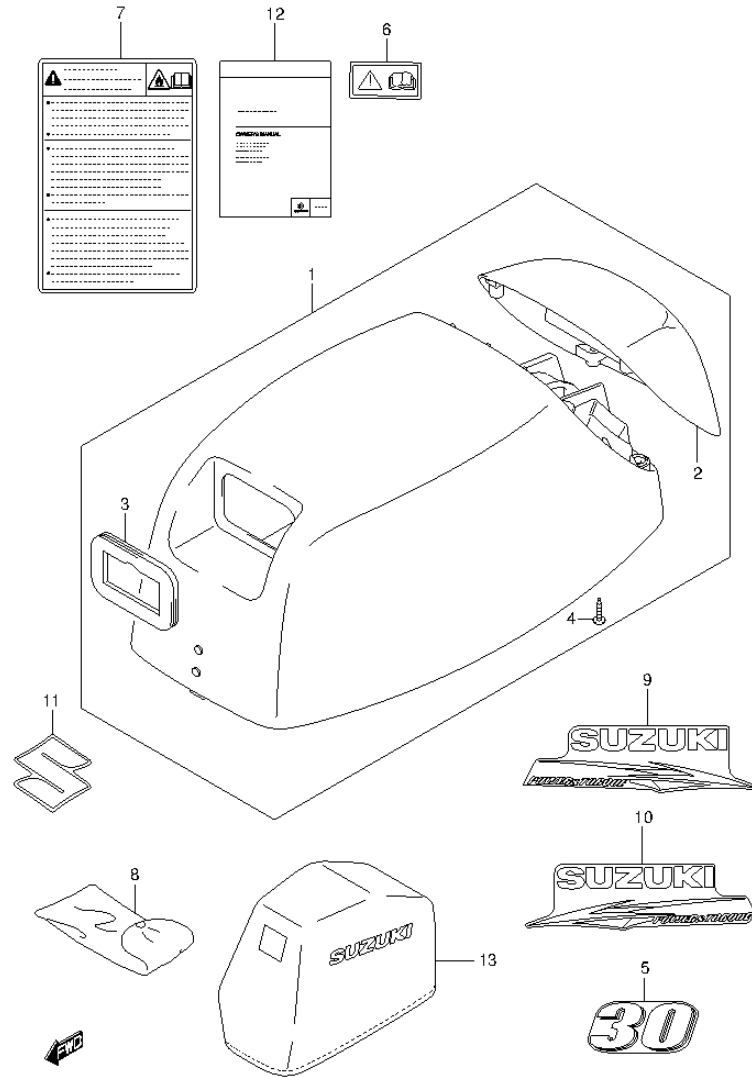


FIG.66 (1-G-10) ENGINE COVER (DT30R P40)

REF NO.	PART NO.	DESCRIPTION	Q'TY	REMARKS
1	61400-91L10-0EP	COVER SET, ENGINE (BLACK)	1	
2	61431-91L00-0EP	.HANDLE, TILT UP (BLACK)	1	
3	61622-96302	.RUBBER, RECOIL STARTER SEAL	1	
4	03542-06169	.SCREW	4	
5	61435-91L10	MARK, EMBLEM REAR (30)	1	
6	69712-93E10	LABEL, S.I.G.P.	1	
7	61458-89L00	LABEL, ENGINE COVER	1	
8	59800-90L00	TOOL ASSY	1	
9	61443-91L00	STRIPE, ENGINE COVER STBD	1	
10	61453-91L00	STRIPE, ENGINE COVER PORT	1	
11	68111-91L00	EMBLEM, "S"	1	
12	99011-91L40-063	MANUAL, OWNER'S	1	
13	68110-88L00	COVER, WEATHER	1	OPT

FIG.67

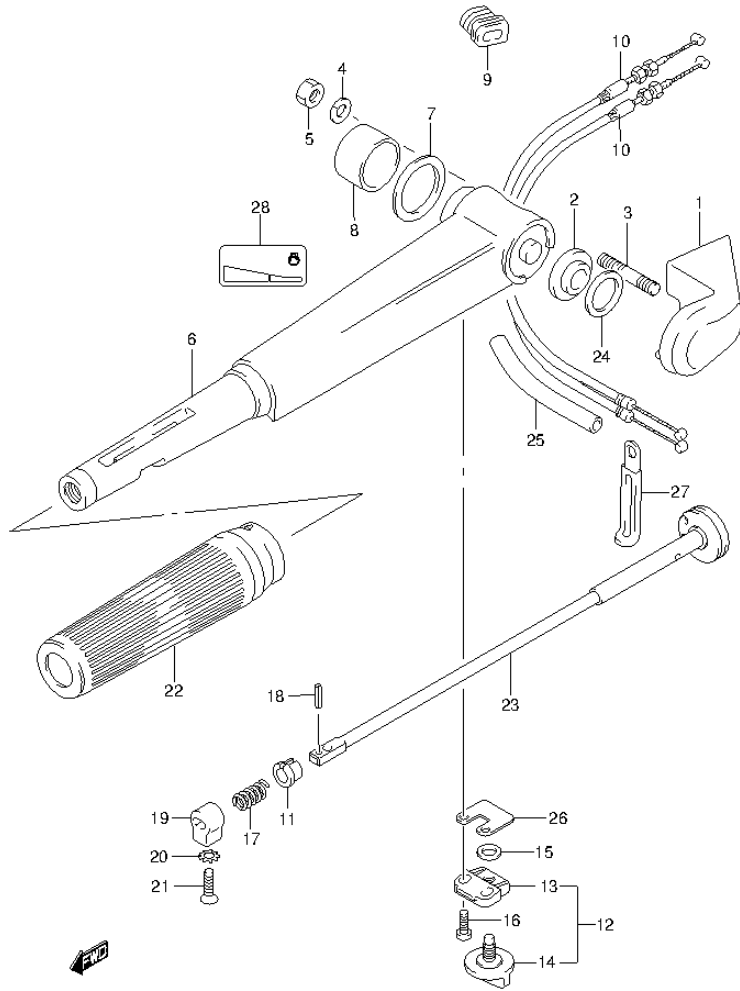


FIG.67 (1-G-11) TILLER HANDLE (DT25K P36)

REF NO.	PART NO.	DESCRIPTION	Q'TY	REMARKS
1	63121-91L10-OEP	COVER, TILLER HANDLE (BLACK)	1	
2	63114-94300	SPACER, HANDLE COVER	1	
3	09108-08300	STUD BOLT	2	
4	29162-93J10	LOCK WASHER (8.2X15.4X2.0)	2	
5	09140-08023-XC0	NUT	2	
6	63111-91L00-OEP	HANDLE, TILLER (BLACK)	1	
7	63115-96310	SPACER	1	
8	63116-96301	BUSH, TILLER HANDLE	1	
9	63625-96300	GROMMET	1	
10	63610-91L00	CABLE, THROTTLE	2	
11	63225-93200	BUSH, HANDLE ROD	1	
12	63240-94J10	ADJUSTER SET, HANDLE GRIP	1	
13	63241-986B0	SUPPORT, HANDLE ROD	1	
14	63244-94J00	KNOB, THROTTLE ADJUSTER	1	
15	09148-06008	NUT	1	
16	09136-05041	SCREW (5X20)	2	
17	09440-12027	SPRING	1	
18	09205-03038	SPRING PIN (3X14)	1	
19	63223-92D00	STOPPER, HANDLE ROD	1	
20	09163-06001	LOCK WASHER	1	
21	09126-06015	SCREW (6X23)	1	
22	63210-93E30	GRIP, HANDLE	1	
23	63220-91L00	ROD, HANDLE	1	
24-1	63118-94300	SHIM (0.3)	1	
24-2	63118-94310	SHIM (0.5)	1	OPT
25	18498-91J00	PROTECTOR, THROTTLE CABLE	1	
26	63225-94J00	PLATE, HANDLE ROD ADJUSTER	1	
27	29404-93J10	CLAMP, THROTTLE CABLE	1	
28	69714-94J00	MARK, ENGINE START	1	

FIG.68

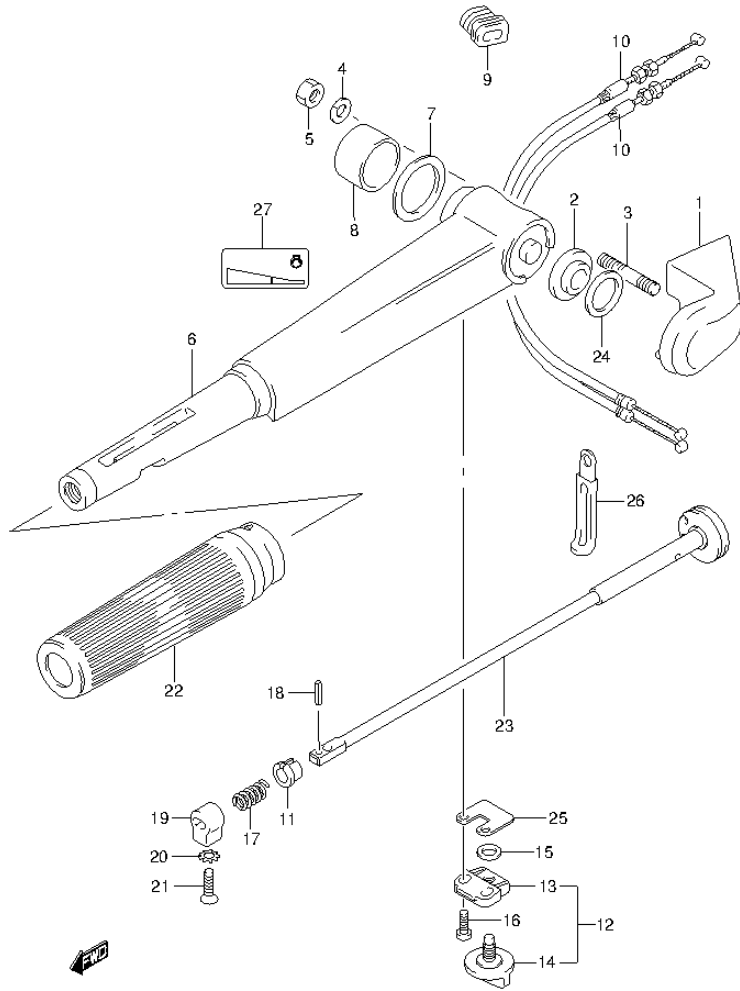


FIG.68 (1-G-12) TILLER HANDLE (DT30 P40)

REF NO.	PART NO.	DESCRIPTION	Q'TY	REMARKS
1	63121-91L10-0EP	COVER, TILLER HANDLE (BLACK)	1	
2	63114-94300	SPACER, HANDLE COVER	1	
3	09108-08300	STUD BOLT	2	
4	29162-93J10	LOCK WASHER (8.2X15.4X2.0)	2	
5	09140-08023-XC0	NUT	2	
6	63111-91L00-0EP	HANDLE, TILLER (BLACK)	1	
7	63115-96310	SPACER	1	
8	63116-96301	BUSH, TILLER HANDLE	1	
9	63625-96300	GROMMET	1	
10	63610-91L00	CABLE, THROTTLE	2	
11	63225-93200	BUSH, HANDLE ROD	1	
12	63240-94J10	ADJUSTER SET, HANDLE GRIP	1	
13	63241-986B0	SUPPORT, HANDLE ROD	1	
14	63244-94J00	KNOB, THROTTLE ADJUSTER	1	
15	09148-06008	NUT	1	
16	09136-05041	SCREW (5X20)	2	
17	09440-12027	SPRING	1	
18	09205-03038	SPRING PIN (3X14)	1	
19	63223-92D00	STOPPER, HANDLE ROD	1	
20	09163-06001	LOCK WASHER	1	
21	09126-06015	SCREW (6X23)	1	
22	63210-93E30	GRIP, HANDLE	1	
23	63220-91L00	ROD, HANDLE	1	
24-1	63118-94300	SHIM (0.3)	1	
24-2	63118-94310	SHIM (0.5)	1	OPT
25	63225-94J00	PLATE, HANDLE ROD ADJUSTER	1	
26	29404-93J10	CLAMP, THROTTLE CABLE	1	
27	69714-94J00	MARK, ENGINE START	1	



FIG.69

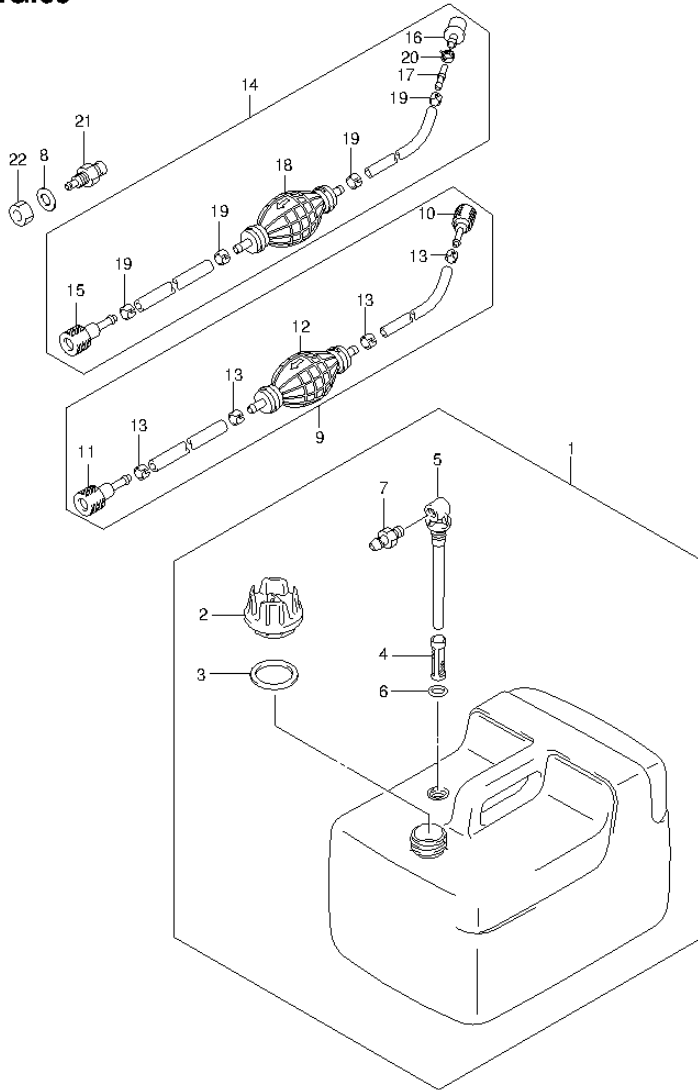


FIG.69 (1-G-13) FUEL TANK (RESIN, 12L) (DT25K P36)

REF NO.	PART NO.	DESCRIPTION	Q'TY	REMARKS
1	65000-99100	TANK ASSY, FUEL (12L)	1	
2	65520-99100	.CAP ASSY, FUEL TANK	1	
3	65561-95D00	.GASKET, TANK CAP	1	
4	65831-95D00	.FILTER, OUTLET	1	
5	65890-99100	.OUTLET ASSY	1	
6	65892-95D00	.O RING	1	
7	65740-99100	.PLUG, FUEL CONNECTOR	1	
8	09160-12066	WASHER (12.5X22X2.5)	1	
9	65700-95D04	HOSE, FUEL	1	FOR GASOLINE
10	65750-98505	.SOCKET, FUEL HOSE (IN)	1	
11	65750-95500	.SOCKET, FUEL HOSE (OUT)	1	
12	65770-99J01	.PUMP, SQUEEZE	1	
13	65781-98500	.CLIP	4	
14	65700-94416	HOSE, FUEL	1	FOR GASOLINE
15	65750-95500	.SOCKET, FUEL HOSE	1	
16	65830-95500	.FILTER ASSY, FUEL HOSE	1	
17	65842-94401	.TUBE	1	
18	65770-90J11	.PUMP, SQUEEZE	1	
19	65781-98500	.CLIP	4	
20	09401-10412	.CLIP	1	
21	65720-955L0	PLUG, FUEL CONNECTOR	1	FOR GASOLINE
22	65761-91L00	NUT, FUEL CONNECTOR PLUG	1	FOR GASOLINE

FIG.70

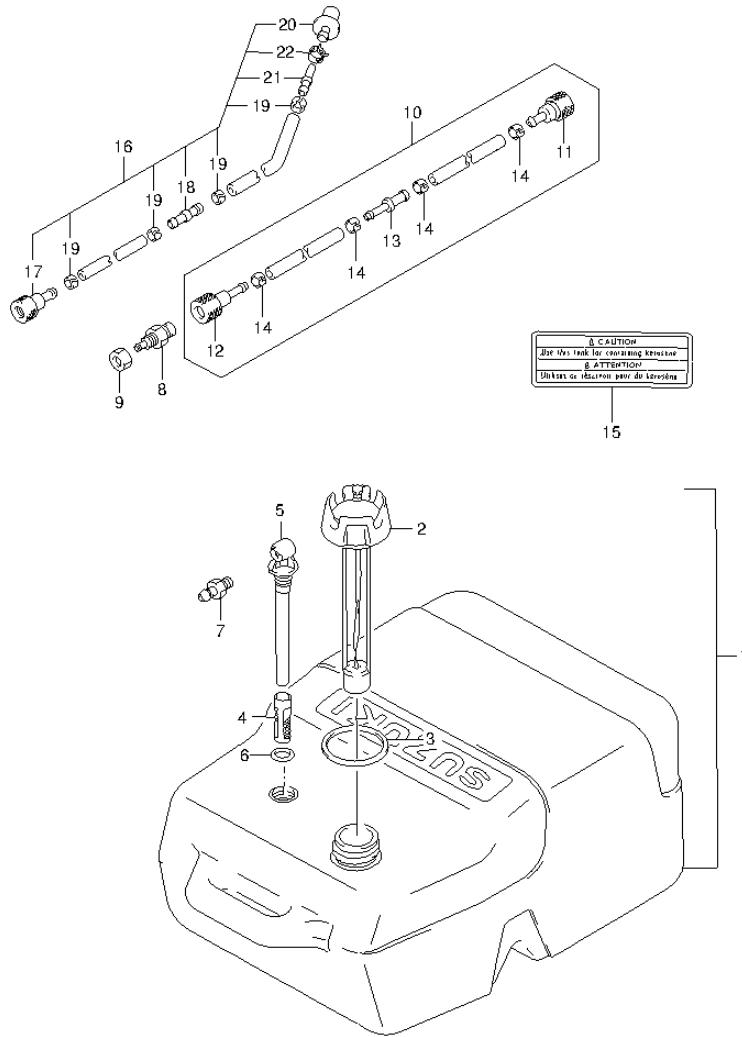


FIG.70 (1-G-14) FUEL TANK (RESIN, 25L) (DT25K P36)

REF NO.	PART NO.	DESCRIPTION	Q'TY	REMARKS
1	65000-95D01	TANK ASSY, FUEL (25L)	1	
2	65520-95D00	.CAP ASSY, FUEL TANK	1	
3	65561-95D00	.GASKET, TANK CAP	1	
4	65831-95D00	.FILTER, OUTLET	1	
5	65890-95D00	.OUTLET ASSY	1	
6	65892-95D00	.O RING, OUTLET	1	
7	65740-95D01	.PLUG, FUEL CONNECTOR	1	
8	65720-985L1	PLUG, FUEL CONNECTOR	1	FOR KEROSENE
9	09140-10032	NUT	1	FOR KEROSENE
10	65700-96362	HOSE, FUEL	1	FOR KEROSENE
11	65750-95500	.SOCKET (IN)	1	
12	65750-98505	.SOCKET (OUT)	1	
13	65779-93900	UNION	1	
14	65781-98500	.CLIP	4	
15	65318-93910	MARK, KEROSENE CAUTION	1	
16	65700-94424	HOSE, FUEL	1	FOR KEROSENE
17	65750-98505	.SOCKET, FUEL HOSE	1	
18	65779-93900	.UNION, FUEL HOSE	1	
19	65781-98500	.CLIP	4	
20	65830-95500	.FILTER	1	
21	65842-94401	.TUBE	1	
22	09401-10412	.CLIP	1	

FIG.71

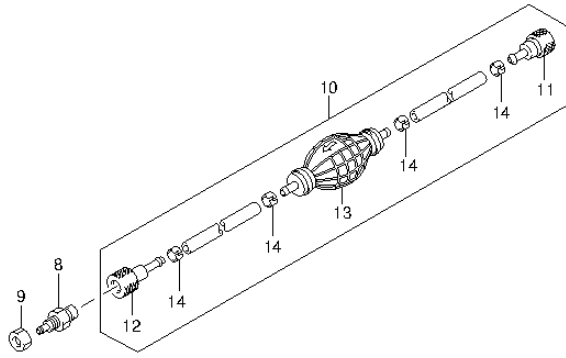


FIG.71 (1-G-15) FUEL TANK (RESIN, 25L) (DT30 P40)

REF NO.	PART NO.	DESCRIPTION	Q'TY	REMARKS
1	65000-95D01	TANK ASSY, FUEL (25L)	1	
2	65520-95D00	.CAP ASSY, FUEL TANK	1	
3	65561-95D00	.GASKET, TANK CAP	1	
4	65831-95D00	.FILTER, OUTLET	1	
5	65890-95D00	.OUTLET ASSY	1	
6	65892-95D00	.O RING, OUTLET	1	
7	65740-95D01	.PLUG, FUEL CONNECTOR	1	
8	65720-985L1	PLUG, FUEL CONNECTOR	1	
9	09140-10032	NUT	1	
10	65700-87DA1	HOSE, FUEL	1	
11	65750-95500	.SOCKET, FUEL HOSE (IN)	1	
12	65750-98505	.SOCKET, FUEL HOSE (OUT)	1	
13	65770-90L01	.PUMP, SQUEEZE	1	
14	65781-98500	.CLIP	4	

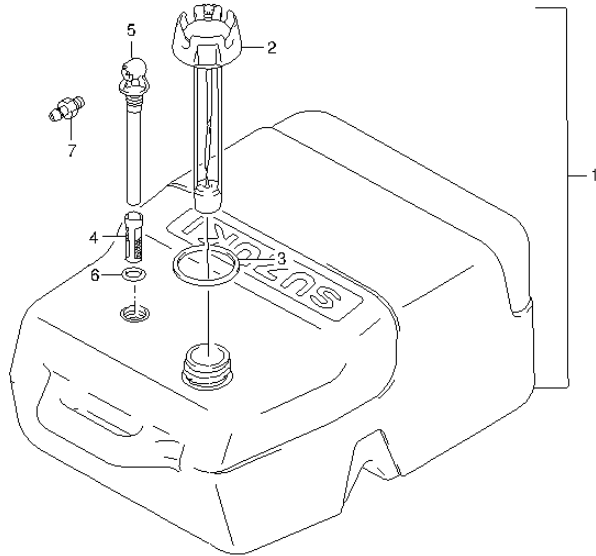


FIG.72

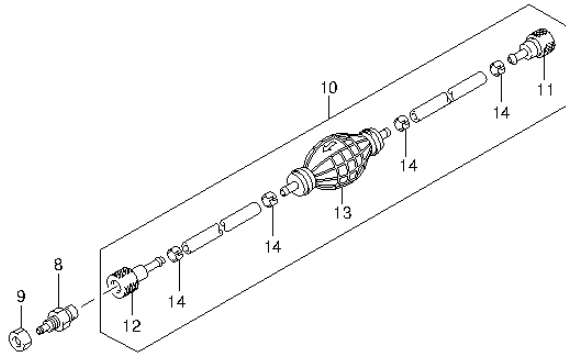
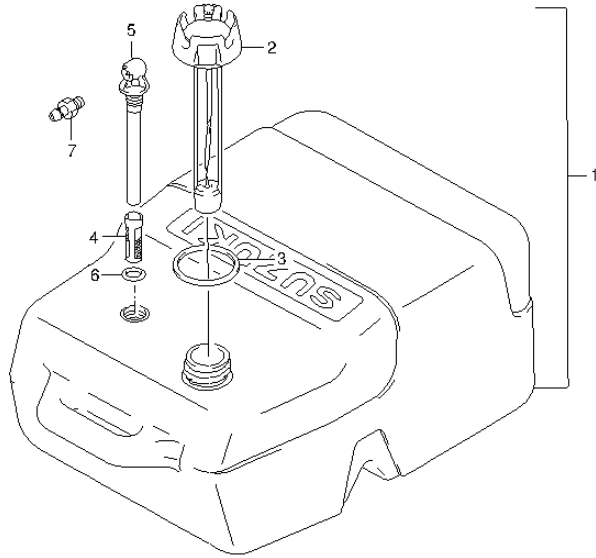
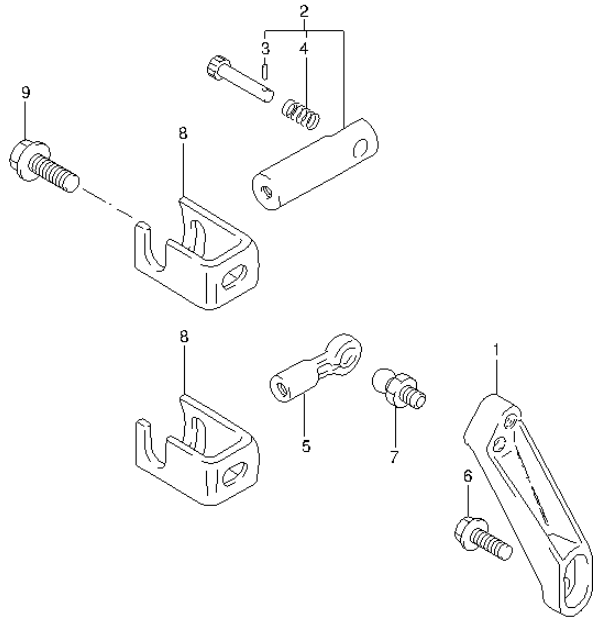


FIG.72 (1-H-2) FUEL TANK (RESIN, 25L) (DT30R P40)

REF NO.	PART NO.	DESCRIPTION	Q'TY	REMARKS
1	65000-95D01	TANK ASSY, FUEL (25L)	1	
2	65520-95D00	.CAP ASSY, FUEL TANK	1	
3	65561-95D00	.GASKET, TANK CAP	1	
4	65831-95D00	.FILTER, OUTLET	1	
5	65890-95D00	.OUTLET ASSY	1	
6	65892-95D00	.O RING, OUTLET	1	
7	65740-95D01	.PLUG, FUEL CONNECTOR	1	
8	65720-985L1	PLUG, FUEL CONNECTOR	1	
9	09140-10032	NUT	1	
10	65700-87DA1	HOSE, FUEL	1	
11	65750-95500	.SOCKET, FUEL HOSE (IN)	1	
12	65750-98505	.SOCKET, FUEL HOSE (OUT)	1	
13	65770-90L01	.PUMP, SQUEEZE	1	
14	65781-98500	.CLIP	4	



**FIG.73**



**FIG.73 (1-H-3) REMOCON PARTS (DT30R P40)**

REF NO.	PART NO.	DESCRIPTION	Q'TY	REMARKS
1	67414-91L00-0EP	LEVER, REMOCON SWITCH (BLACK)	1	
2	67440-93701	GUIDE, CLUTCH CABLE	1	
3	09205-02006	.SPRING PIN (2X12)	1	
4	09440-09042	.SPRING	1	
5	67466-95200	GUIDE, THROTTLE CABLE	1	
6	09116-06225	BOLT (6X15)	1	
7	09119-06047	PIVOT	1	
8	67341-94302	HOLDER, REMOCON CABLE	2	
9	09116-06225	BOLT (6X15)	2	

FIG.74

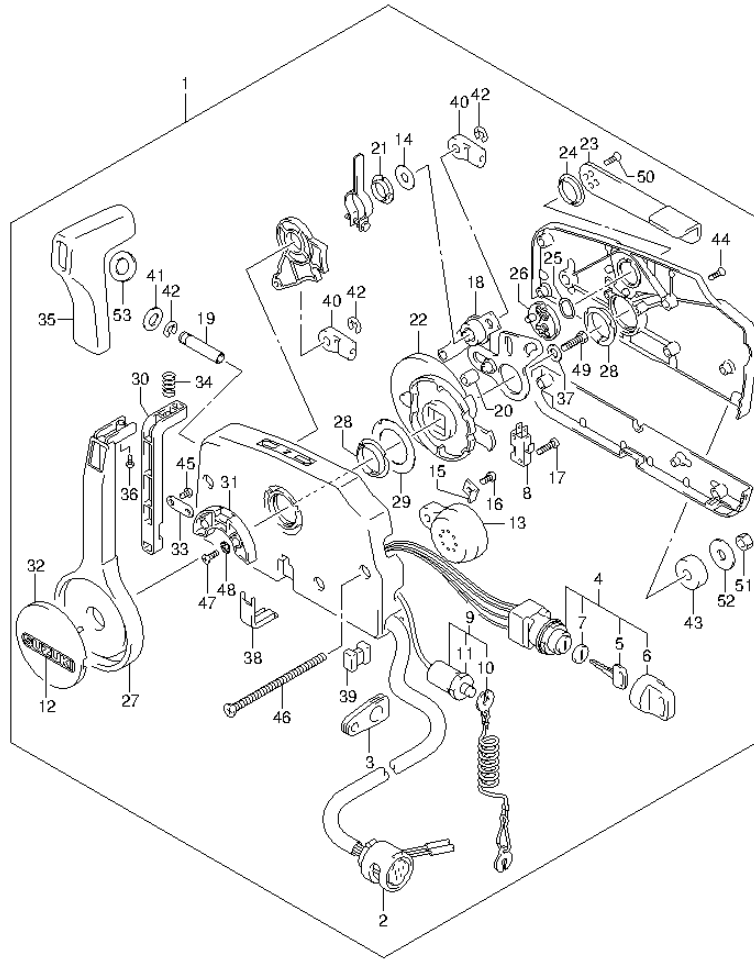


FIG.74 (1-H-4) REMOTE CONTROL (DT30R P40)

REF NO.	PART NO.	DESCRIPTION	Q'TY	REMARKS
1	67200-97E44	REMOTE CONTROL ASSY	1	<-67200-96394
2	36620-95D10	..WIRE ASSY, REMOCON	1	
3	36628-92E00	..GROMMET	1	
4	37110-99E01	..SWITCH ASSY, IGNITION	1	
5-1	37141-99E00	..KEY (931)	1	
5-2	37141-99E10	..KEY (932)	1	
5-3	37141-99E20	..KEY (933)	1	
5-4	37141-99E30	..KEY (934)	1	
5-5	37141-99E40	..KEY (935)	1	
5-6	37141-99E50	..KEY (936)	1	
5-7	37141-99E60	..KEY (937)	1	
5-8	37141-99E70	..KEY (938)	1	
5-9	37141-99E80	..KEY (939)	1	
5-10	37141-99E90	..KEY (940)	1	
5-11	37141-99EA0	..KEY (941)	1	
5-12	37141-99EB0	..KEY (942)	1	
6	37143-99E00	..CAP, KEY	1	
7	37149-93J00	..CAP, CYLINDER BODY	1	
8	37721-94601	..SWITCH, NEUTRAL	1	
9	37820-92E03	..SWITCH ASSY, EMERGENCY	1	
10	37823-92E01	..PLATE	1	
11	37826-92E00	..NUT	1	
12	68165-16B00-13L	..EMBLEM, SUZUKI (SILVER)	1	
13	38500-92X50	..BUZZER, WARNING	1	
14	67212-95600	..WASHER	1	
15	67213-92E00	..BRACKET, BUZZER	1	
16	09125-05042	..SCREW (5X10)	1	
17	67296-92E11	..SCREW, BUZZER BRKT	2	
18	67220-95620	..PLATE ASSY	1	
19	67223-99E00	..KNOB, BRAKE ADJUST	1	
20	67229-95600	..ROLLER	1	
21	67232-95600	..BUSH	1	
22	67238-87D00	..GEAR, DRIVE	1	
23	67241-99E10	..LEVER, FREE THROTTLE	1	

FIG.74

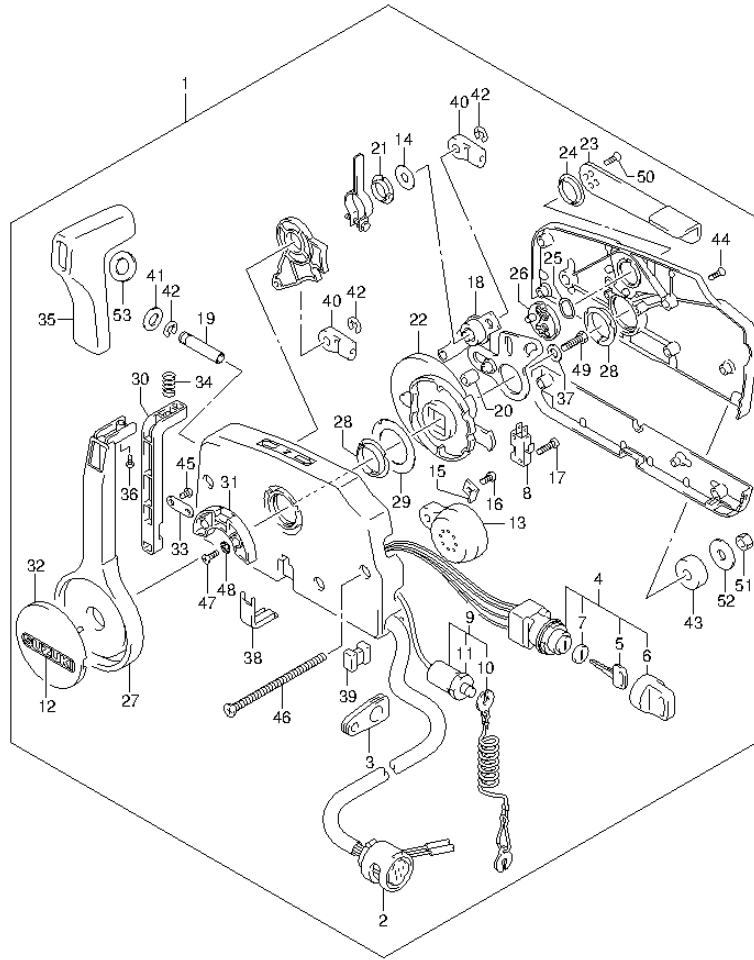
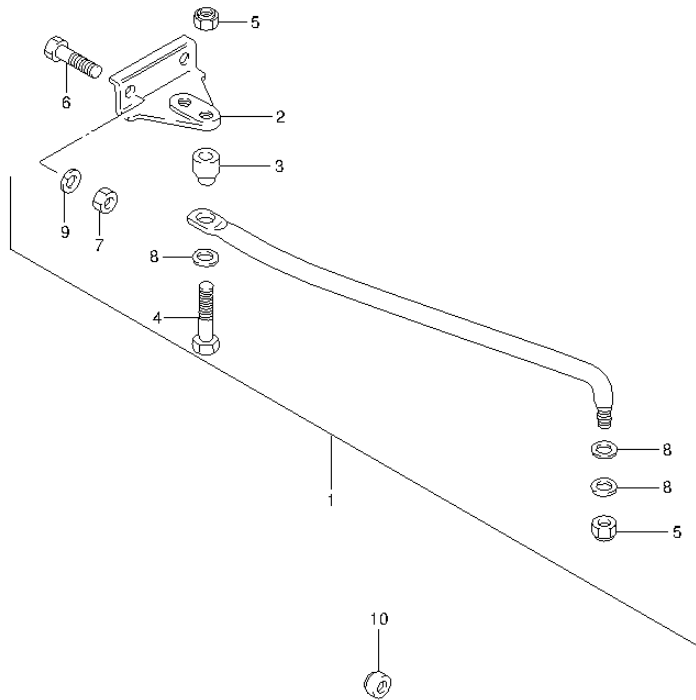


FIG.74 (1-H-5) REMOTE CONTROL (DT30R P40)

REF NO.	PART NO.	DESCRIPTION	Q'TY	REMARKS
24	67243-95600	.BUSH	1	
25	67244-95600	.WAVE WASHER	1	
26	67245-95600	.DRUM, FREE THROTTLE	1	
27	67251-99E10	.LEVER, HANDLE	1	
28	67252-95600	.BUSH	2	
29	67253-95600	.WASHER	1	
30	67255-99E00	.ARM, LOCK	1	
31	67256-95600	.HOLDER, NEUT LOCK	1	
32	67257-95610	.CAP, LEVER	1	
33	67258-99E00	.BRACKET	1	
34	67259-87D00	.SPRING, NEUTRAL ARM	1	
35	67261-99E00	.GRIP	1	
36	67296-94310	.SCREW, BUZZER BRKT	1	
37	67264-95600	.WASHER	1	
38	67267-93J00	.COVER, WIRE	1	
39	67273-95600	.SPACER	1	
40	67275-95600	.END, CABLE	2	
41	67288-92E00	.WASHER	1	
42	67292-94300	.E RING	3	
43	67294-95600	.SPACER	3	
44	67296-90J00	.SCREW, COVER	5	
45	67296-94300	.SCREW	2	
46	67296-95600	.SCREW	3	
47	67296-95610	.SCREW	2	
48	67297-95600	.WASHER	2	
49	09100-08232	.BOLT (8X30)	1	
50	09126-05003	.SCREW (5X12)	2	
51	09140-06020	.NUT	3	
52	09160-06104	.WASHER (6.5X24X2)	3	
53	37859-90J00	.SPACER	1	

**FIG.75**



**FIG.75 (1-H-6) DRAG LINK (DT30R P40)**

REF NO.	PART NO.	DESCRIPTION	Q'TY	REMARKS
1	67701-94420	DRAG LINK ASSY	1	
2	43755-96320	.ATTACHMENT, STEERING BRACKET	1	
3	67721-94310	.SPACER	1	
4	67725-99E10	.BOLT	1	
5	67726-99E00	.NUT	2	
6	09100-08309	.BOLT (8X35)	2	
7	09140-08023-XC0	.NUT	2	
8	67728-99E00	.WASHER	3	
9	29162-93J10	.LOCK WASHER	2	
10	41161-94400	SEAL, STEERING CABLE	1	



FIG.76

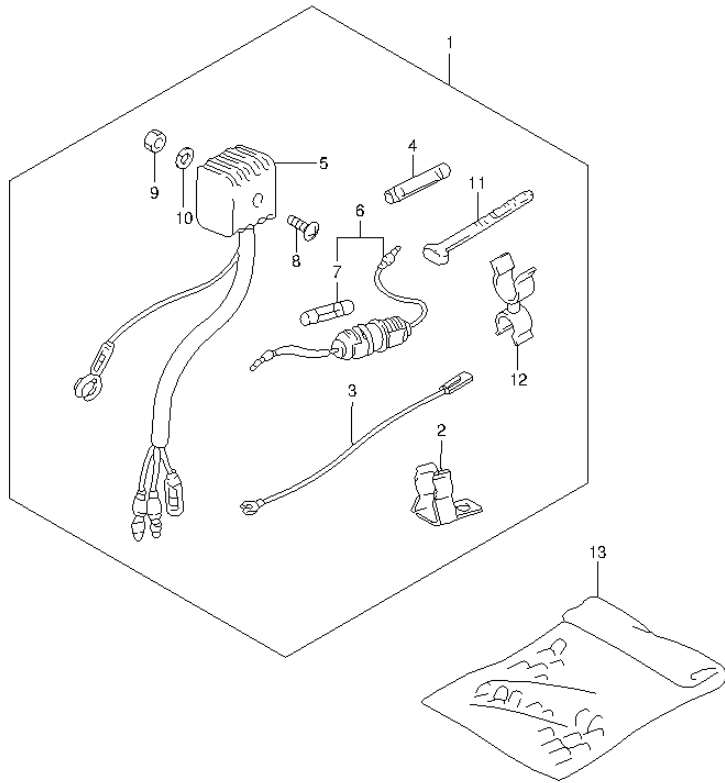


FIG.76 (1-H-7) OPT:ELECTRICAL (DT25K P36)

REF NO.	PART NO.	DESCRIPTION	Q'TY	REMARKS
1	32801-96304	RECTIFIER SET	1	
2	36791-95200	.HOLDER	1	
3	37801-98300	.LEAD, WIRE	1	
4	37132-93700	.WIRE, CONNECTOR	1	
5	32800-95D01	.RECTIFIER	1	
6	36740-95253	.CASE ASSY, FUSE	1	
7	09481-20001	..FUSE (20A)	1	
8	02142-05257	.SCREW	1	
9	08310-00057	.NUT	1	
10	08321-0105A	.WASHER	1	
11	09407-14403	.CLAMP (L:125)	1	
12	09408-00045	.CLAMP	1	
13	36990-87D00	TERMINAL & SLEEVE SET	1	

FIG.77

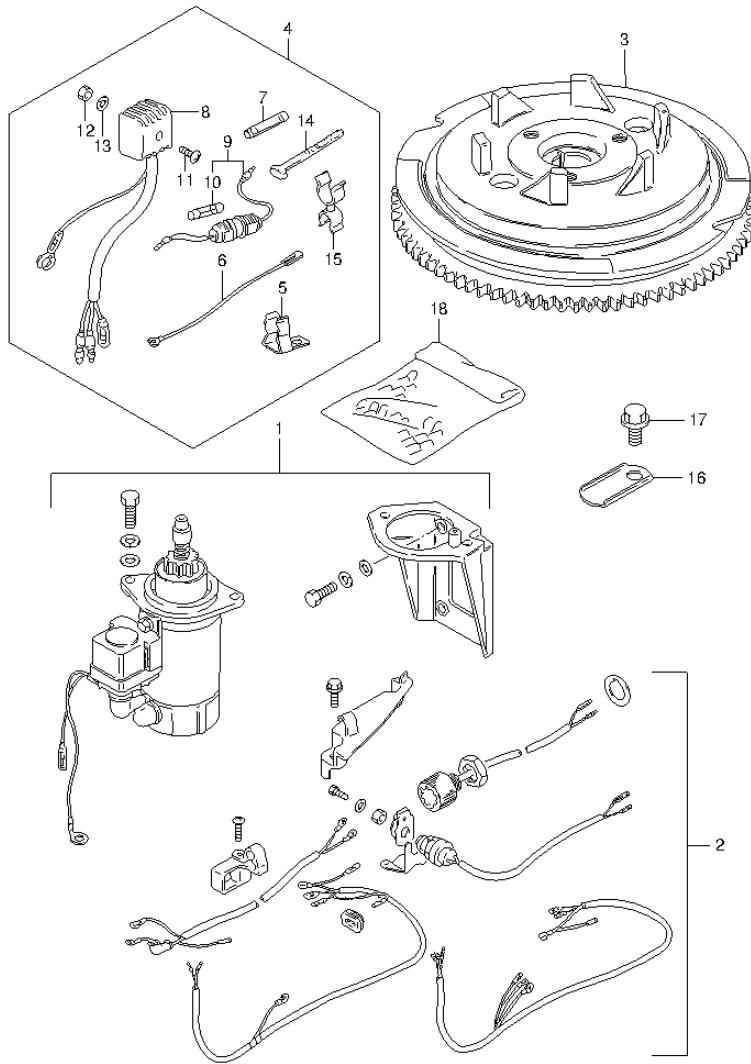


FIG.77 (1-H-8) OPT:ELECTRICAL (MANUAL STARTER) (DT30 P40)

REF NO.	PART NO.	DESCRIPTION	Q'TY	REMARKS
1	31101-96320-OEP	MOTOR SET, STARTER (BLACK)	1	
2	33800-96304	SWITCH, STARTER/CABLE SET	1	
3	32102-96462	FLYWHEEL	1	
4	32801-96304	RECTIFIER SET	1	
5	36791-95200	.HOLDER	1	
6	37801-98300	.LEAD, WIRE	1	
7	37132-93700	.WIRE, CONNECTOR	1	
8	32800-95D01	.RECTIFIER	1	
9	36740-95253	.CASE ASSY, FUSE	1	
10	09481-20001	..FUSE (20A)	1	
11	02142-05257	.SCREW	1	
12	08310-00057	.NUT	1	
13	08321-0105A	.WASHER	1	
14	09407-14403	.CLAMP (L:125)	1	
15	09408-00045	.CLAMP	1	
16	33815-94501	PROTECTOR, CABLE	1	
17	01550-06167	BOLT	1	
18	36990-87D00	TERMINAL & SLEEVE SET	1	

FIG.78

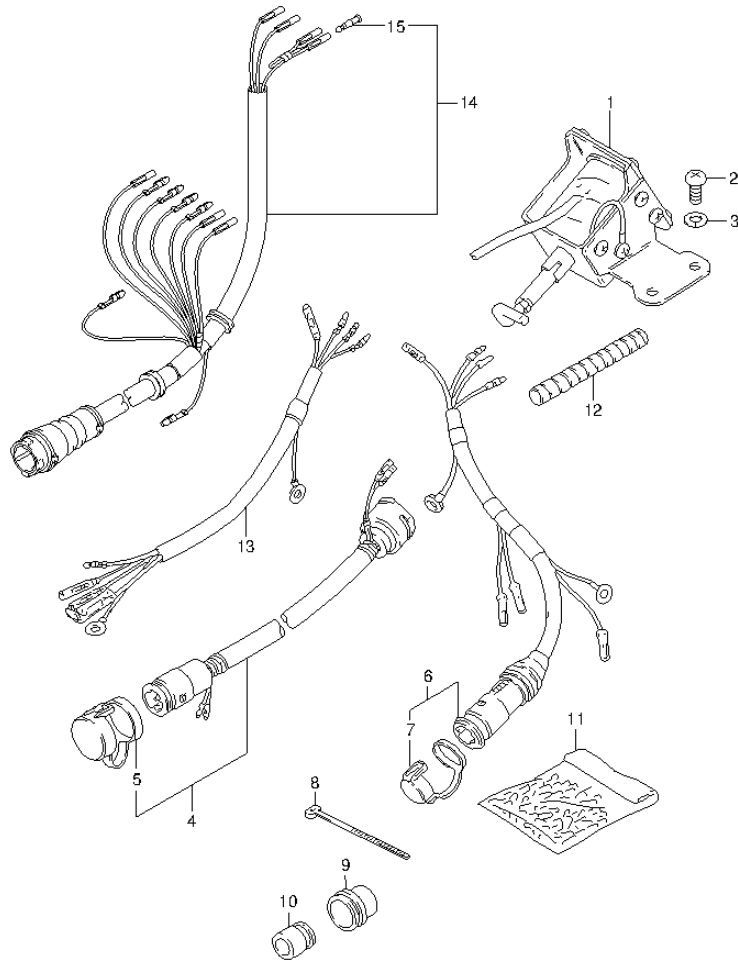


FIG.78 (1-H-9) OPT:ELECTRICAL (ELECTRIC STARTER) (DT30 P40)

REF NO.	PART NO.	DESCRIPTION	Q'TY	REMARKS
1	38600-96301	SOLENOID, CHOKE	1	
2	02112-05127	SCREW	2	
3	08321-0105A	WASHER	2	
4-1	36620-87D20	WIRING HARNESS, REMO-CON	1	L:5000
4-2	36620-95302	WIRING HARNESS, REMO-CON	1	L:2000
5	36631-94300	.CAP, REMO-CON HARNESS	1	
6	36630-96321	WIRING HARNESS, REMO-CON	1	
7	36631-94300	.CAP, REMO-CON HARNESS	1	
8	09407-25402	CLAMP (L:250)	1	
9	36612-94301	GROMMET, 1	1	
10	36613-94300	GROMMET, 2	1	
11	36990-87D00	TERMINAL & SLEEVE SET	1	
12	33833-91J00	TUBE	1	L:50
13	36630-96311	WIRING HARNESS, REMO-CON	1	
14	36620-95D00	WIRING HARNESS, REMO-CON	1	
15	36615-96300	.TERMINAL	4	

FIG.79

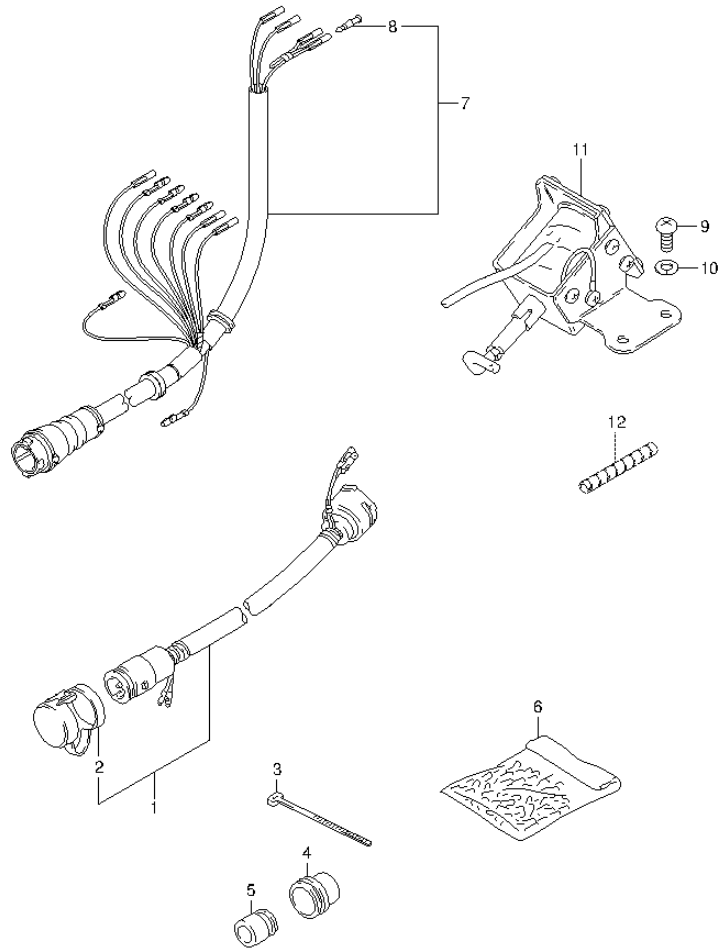


FIG.79 (1-H-10) OPT:ELECTRICAL (DT30R P40)

REF NO.	PART NO.	DESCRIPTION	Q'TY	REMARKS
1-1	36620-87D20	WIRING HARNESS, REMO-CON	1	L:5000
1-2	36620-95302	WIRING HARNESS, REMO-CON	1	L:2000
2	36631-94300	.CAP, REMO-CON HARNESS	1	
3	09407-25402	CLAMP (L:250)	1	
4	36612-94301	GROMMET, 1	1	
5	36613-94300	GROMMET, 2	1	
6	36990-87D00	TERMINAL & SLEEVE SET	1	
7	36620-95D00	WIRING HARNESS, REMO-CON	1	
8	36615-96300	.TERMINAL	4	
9	02112-05127	SCREW	2	
10	08321-0105A	WASHER	2	
11	38600-96301	SOLENOID, CHOKE	1	
12	33833-91J00	TUBE	1	L:50

FIG.80

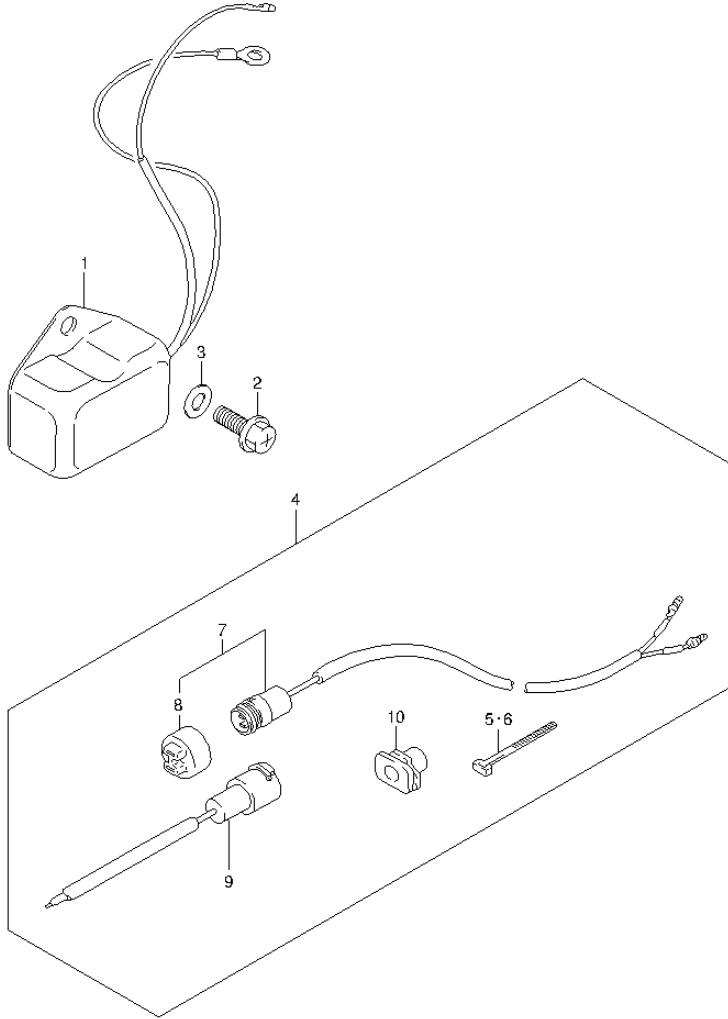
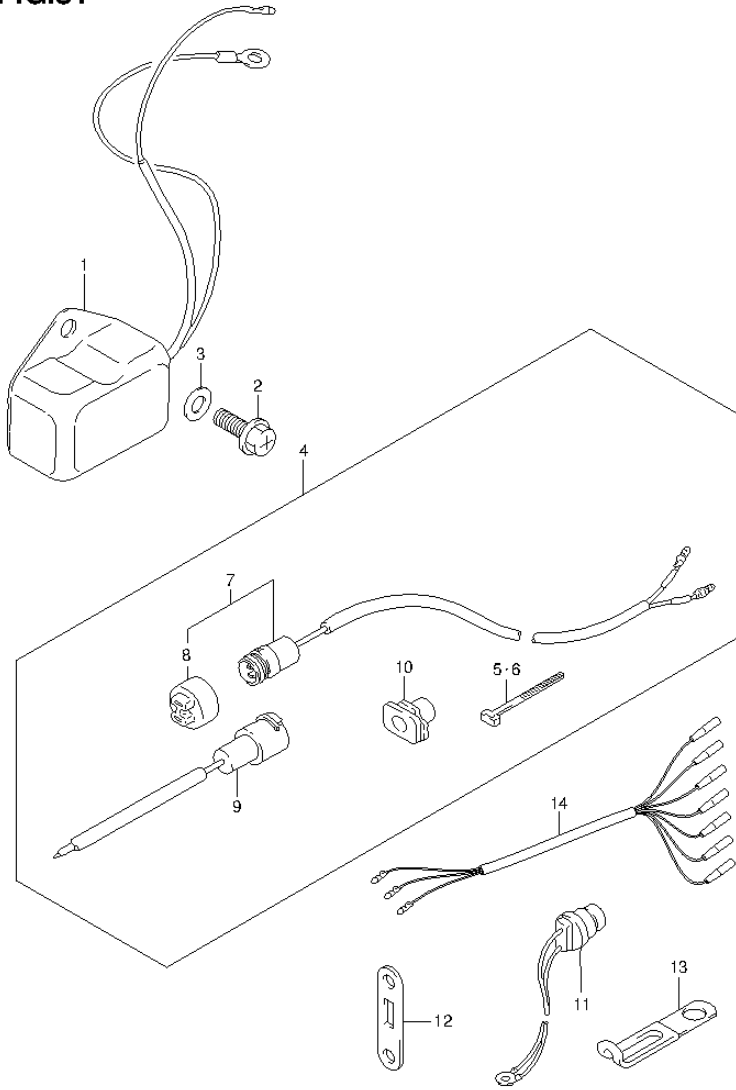


FIG.80 (1-H-11) OPT:REGULATOR (DT25K P36)

REF NO.	PART NO.	DESCRIPTION	Q'TY	REMARKS
1	32500-95722	REGULATOR, VOLTAGE	1	
2	02162-06127	SCREW	2	
3	08322-01067	WASHER	2	
4	39600-93910	RECEPTACLE SET	1	
5	09407-25402	.CLAMP (L:250)	1	
6	09407-10403	.CLAMP (L:95)	1	
7	39601-95D00	.RECEPTACLE ASSY, LIGHTING	1	
8	36634-93910	..CAP, LIGHTING RECEPTACLE	1	
9	39602-93900	.PLUG ASSY, LAMP CORD	1	
10	39603-94400	.GROMMET	1	

**FIG.81**



**FIG.81 (1-H-12) OPT:REGULATOR (DT30 P40)**

REF NO.	PART NO.	DESCRIPTION	Q'TY	REMARKS
1	32500-95722	REGULATOR, VOLTAGE	1	
2	02162-06127	SCREW	2	
3	08322-01067	WASHER	2	
4	39600-93910	RECEPTACLE SET	1	W/MANUAL STARTER
5	09407-25402	.CLAMP (L:250)	1	
6	09407-10403	.CLAMP (L:95)	1	
7	39601-95D00	.RECEPTACLE ASSY, LIGHTING	1	
8	36634-93910	..CAP, LIGHTING RECEPTACLE	1	
9	39602-93900	.PLUG ASSY, LAMP CORD	1	
10	39603-94400	.GROMMET	1	
11	34850-94700	SENSOR, HEAT	1	W/ELECTRIC STARTER
12	34853-94301	SUPPORT, HEAT SENSOR	1	W/ELECTRIC STARTER
13	09404-08205	CLAMP (L:45)	1	W/ELECTRIC STARTER
14	36630-92E00	WIRE ASSY, INSTRUMENT	1	W/ELECTRIC STARTER

FIG.82

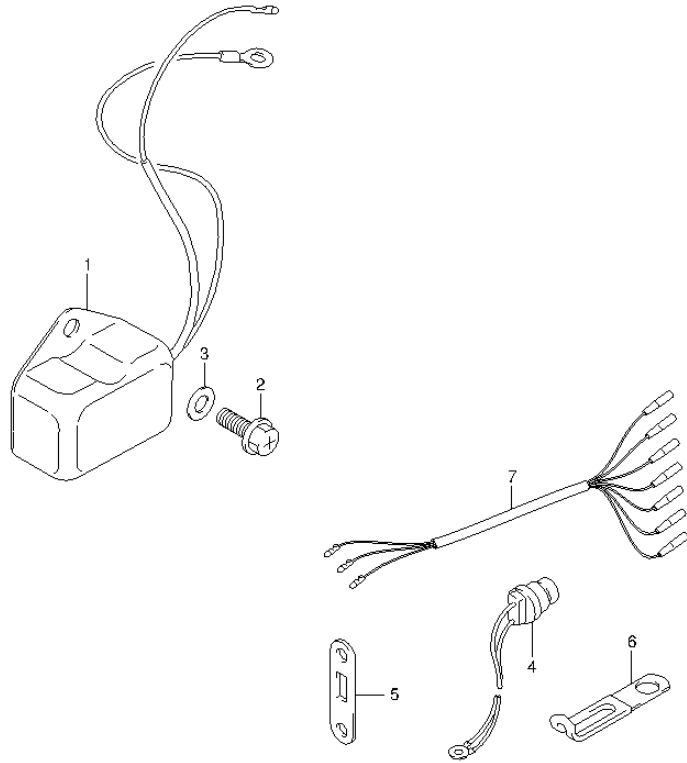


FIG.82 (1-H-13) OPT:REGULATOR (DT30R P40)

REF NO.	PART NO.	DESCRIPTION	Q'TY	REMARKS
1	32500-95722	REGULATOR, VOLTAGE	1	
2	02162-06127	SCREW	2	
3	08322-01067	WASHER	2	
4	34850-94700	SENSOR, HEAT	1	
5	34853-94301	SUPPORT, HEAT SENSOR	1	
6	09404-08205	CLAMP (L:45)	1	
7	36630-92E00	WIRE ASSY, INSTRUMENT	1	

FIG.83

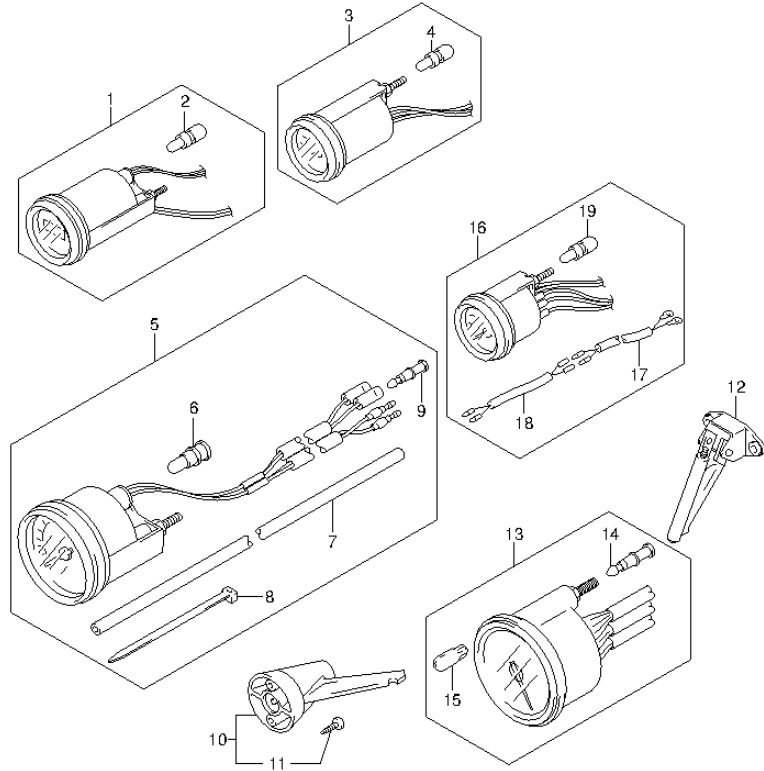


FIG.83 (1-H-14) OPT:METER (ELECTRIC STARTER) (DT30 P40)

REF NO.	PART NO.	DESCRIPTION	Q'TY	REMARKS
1-1	34500-93J00	METER ASSY, HOUR	1	BLACK
1-2	34500-93J11	METER ASSY, HOUR	1	WHITE
2	09471-12103	.BULB (12V,3W,T6.5)	1	
3-1	34600-93J00	METER ASSY, VOLTAGE	1	BLACK
3-2	34600-93J11	METER ASSY, VOLTAGE	1	WHITE
4	09471-12103	.BULB (12V,3W,T6.5)	1	
5-1	34100-93J20	SPEEDOMETER ASSY	1	MAX 80KM/H BLACK
5-2	34100-93J31	SPEEDOMETER ASSY	1	MAX 80KM/H WHITE
5-3	34100-93J40	SPEEDOMETER ASSY	1	MAX 45KNOTS BLACK
5-4	34100-93J51	SPEEDOMETER ASSY	1	MAX 45KNOTS WHITE
6	09471-12028	.BULB (12V,3.4W)	1	
7	34191-92E00	.TUBE	1	
8	09407-14407	.CLAMP (L:145)	2	
9	36615-96300	.TERMINAL, RESIN	2	
10	34190-95500	SENDER ASSY, SPEEDOMETER	1	
11	03112-06303	.SCREW	2	
12	34190-87D00	SENDER ASSY, SPEEDOMETER	1	
13-1	34200-93J20	TACHOMETER ASSY	1	BLACK
13-2	34200-93J31	TACHOMETER ASSY	1	WHITE
14	36615-96300	.TERMINAL	4	
15	09471-12028	.BULB (12V,3.4W)	1	
16-1	34300-93J00	GAUGE ASSY, FUEL	1	BLACK
16-2	34300-93J11	GAUGE ASSY, FUEL	1	WHITE
17	34310-92E00	.LEAD, FUEL GAUGE	1	
18	34360-92E00	.ADAPTER, FUEL GAUGE	1	
19	09471-12103	.BULB (12V,3W,T6.5)	1	



FIG.84

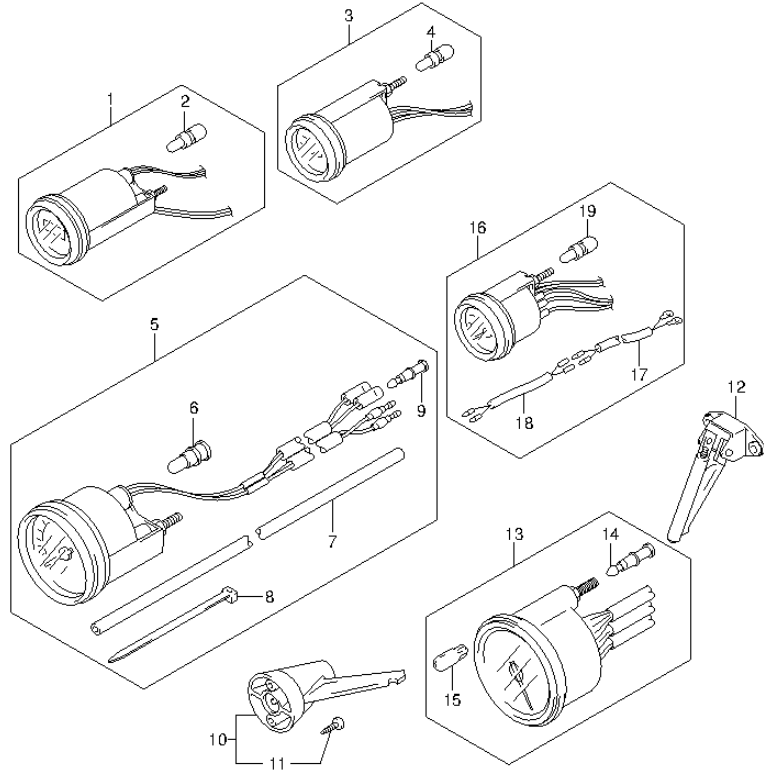


FIG.84 (1-H-15) OPT:METER (DT30R P40)

REF NO.	PART NO.	DESCRIPTION	Q'TY	REMARKS
1-1	34500-93J00	METER ASSY, HOUR	1	BLACK
1-2	34500-93J11	METER ASSY, HOUR	1	WHITE
2	09471-12103	.BULB (12V,3W,T6.5)	1	
3-1	34600-93J00	METER ASSY, VOLTAGE	1	BLACK
3-2	34600-93J11	METER ASSY, VOLTAGE	1	WHITE
4	09471-12103	.BULB (12V,3W,T6.5)	1	
5-1	34100-93J20	SPEEDOMETER ASSY	1	MAX 80KM/H BLACK
5-2	34100-93J31	SPEEDOMETER ASSY	1	MAX 80KM/H WHITE
5-3	34100-93J40	SPEEDOMETER ASSY	1	MAX 45KNOTS BLACK
5-4	34100-93J51	SPEEDOMETER ASSY	1	MAX 45KNOTS WHITE
6	09471-12028	.BULB (12V,3.4W)	1	
7	34191-92E00	.TUBE	1	
8	09407-14407	.CLAMP (L:145)	2	
9	36615-96300	.TERMINAL, RESIN	2	
10	34190-95500	SENDER ASSY, SPEEDOMETER	1	
11	03112-06303	.SCREW	2	
12	34190-87D00	SENDER ASSY, SPEEDOMETER	1	
13-1	34200-93J20	TACHOMETER ASSY	1	BLACK
13-2	34200-93J31	TACHOMETER ASSY	1	WHITE
14	36615-96300	.TERMINAL	4	
15	09471-12028	.BULB (12V,3.4W)	1	
16-1	34300-93J00	GAUGE ASSY, FUEL	1	BLACK
16-2	34300-93J11	GAUGE ASSY, FUEL	1	WKITE
17	34310-92E00	.LEAD, FUEL GAUGE	1	
18	34360-92E00	.ADAPTER, FUEL GAUGE	1	
19	09471-12103	.BULB (12V,3W,T6.5)	1	

FIG.85

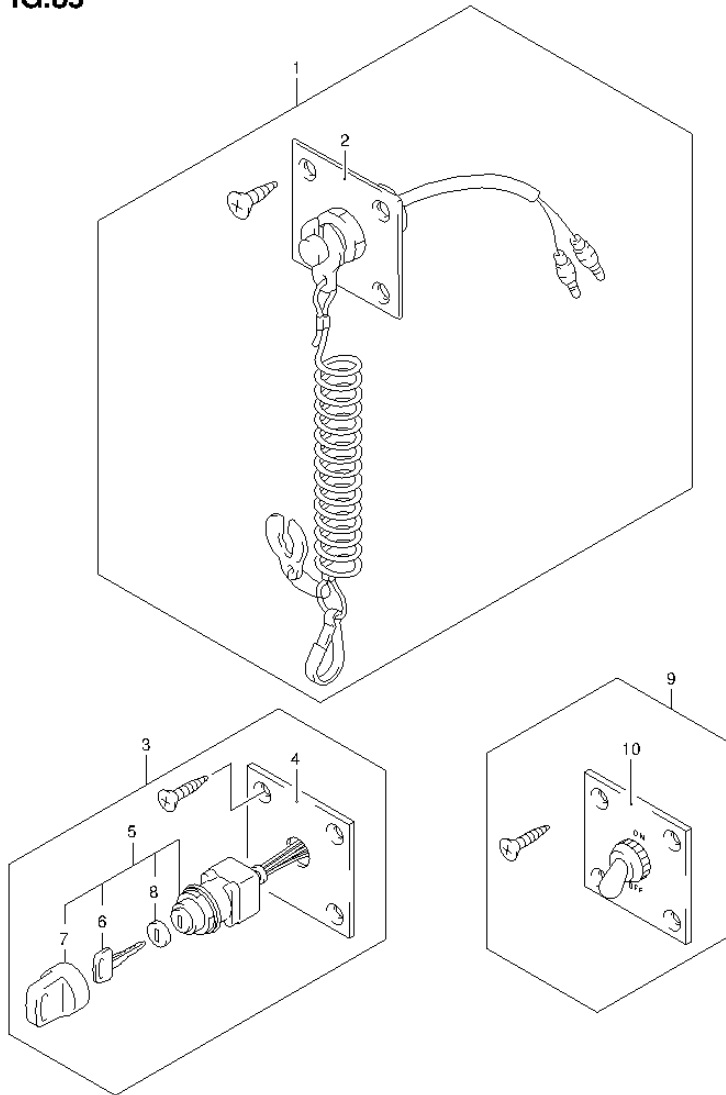


FIG.85 (1-I-2) OPT:SWITCH PANEL (ELECTRIC STARTER) (DT30 P40)

REF NO.	PART NO.	DESCRIPTION	Q'TY	REMARKS
1	37803-99E03	PANEL ASSY, EMERGENCY SWITCH	1	
2	37825-99E00	.PANEL	1	
3	37100-99E00	PANEL ASSY, IGNITION SWITCH	1	
4	37139-99E00	.PANEL	1	
5	37110-99E01	.SWITCH ASSY, IGNITION	1	
6-1	37141-99E00	..KEY (931)	1	
6-2	37141-99E10	..KEY (932)	1	
6-3	37141-99E20	..KEY (933)	1	
6-4	37141-99E30	..KEY (934)	1	
6-5	37141-99E40	..KEY (935)	1	
6-6	37141-99E50	..KEY (936)	1	
6-7	37141-99E60	..KEY (937)	1	
6-8	37141-99E70	..KEY (938)	1	
6-9	37141-99E80	..KEY (939)	1	
6-10	37141-99E90	..KEY (940)	1	
6-11	37141-99EA0	..KEY (941)	1	
6-12	37141-99EB0	..KEY (942)	1	
7	37143-99E00	..CAP, KEY	1	
8	37149-93J00	..CAP, CYLINDER BODY	1	
9	37210-93J00	PANEL ASSY, LIGHTING SW	1	
10	37212-93J00	.PANEL	1	

FIG.86

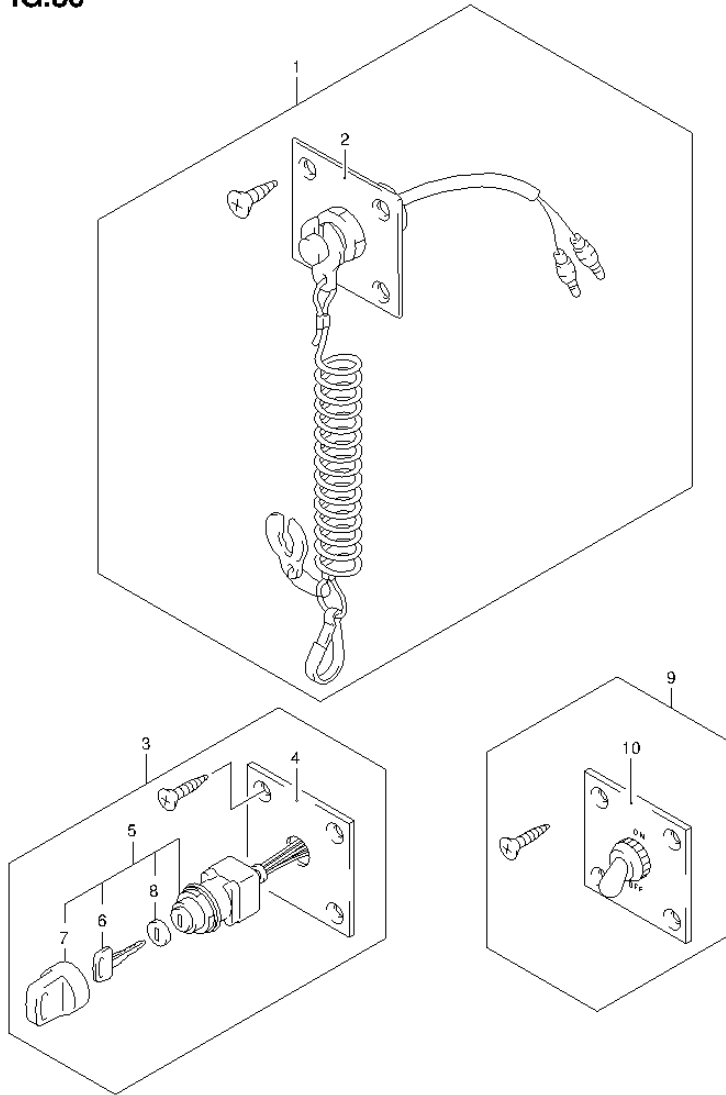


FIG.86 (1-I-3) OPT:SWITCH PANEL (DT30R P40)

REF NO.	PART NO.	DESCRIPTION	Q'TY	REMARKS
1	37803-99E03	PANEL ASSY, EMERGENCY SWITCH	1	
2	37825-99E00	.PANEL	1	
3	37100-99E00	PANEL ASSY, IGNITION SWITCH	1	
4	37139-99E00	.PANEL	1	
5	37110-99E01	.SWITCH ASSY, IGNITION	1	
6-1	37141-99E00	..KEY (931)	1	
6-2	37141-99E10	..KEY (932)	1	
6-3	37141-99E20	..KEY (933)	1	
6-4	37141-99E30	..KEY (934)	1	
6-5	37141-99E40	..KEY (935)	1	
6-6	37141-99E50	..KEY (936)	1	
6-7	37141-99E60	..KEY (937)	1	
6-8	37141-99E70	..KEY (938)	1	
6-9	37141-99E80	..KEY (939)	1	
6-10	37141-99E90	..KEY (940)	1	
6-11	37141-99EA0	..KEY (941)	1	
6-12	37141-99EB0	..KEY (942)	1	
7	37143-99E00	..CAP, KEY	1	
8	37149-93J00	..CAP, CYLINDER BODY	1	
9	37210-93J00	PANEL ASSY, LIGHTING SW	1	
10	37212-93J00	.PANEL	1	

FIG.87

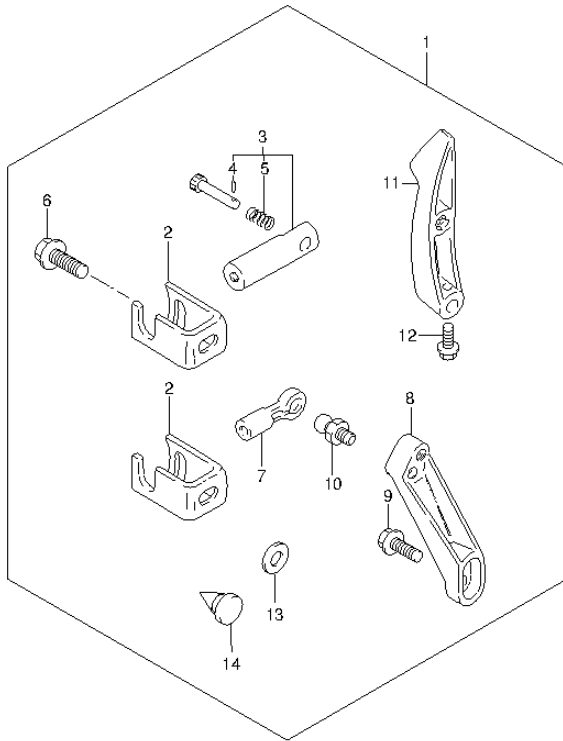


FIG.87 (1-I-4) OPT:REMOCON PARTS SET

REF NO.	PART NO.	DESCRIPTION	Q'TY	REMARKS
1	67130-91L00-0EP	REMOTE CONTROL PARTS SET (BLACK)	1	
2	67341-94302	.HOLDER, REMO-CON CABLE	2	
3	67440-93701	.GUIDE, CLUTCH CABLE	1	
4	09205-02006	..SPRING PIN (2X12)	1	
5	09440-09042	..SPRING	1	
6	09116-06237	.BOLT (6X15)	2	
7	67466-95200	.CONNECTOR, REMO-CON CABLE	1	
8	67414-91L00-0EP	.LEVER, REMO-CON THROTTLE (BLACK)	1	
9	09116-06094	.BOLT (6X15)	1	
10	09119-06047	.PIVOT	1	
11	21111-96303-0EP	.LEVER, CLUTCH (BLACK)	1	
12	09103-06093	.BOLT (6X20)	1	
13	09160-05024	.WASHER (5.5X16X1.5)	1	
14	09250-06012	.PLUG (OD:10)	1	

FIG.88

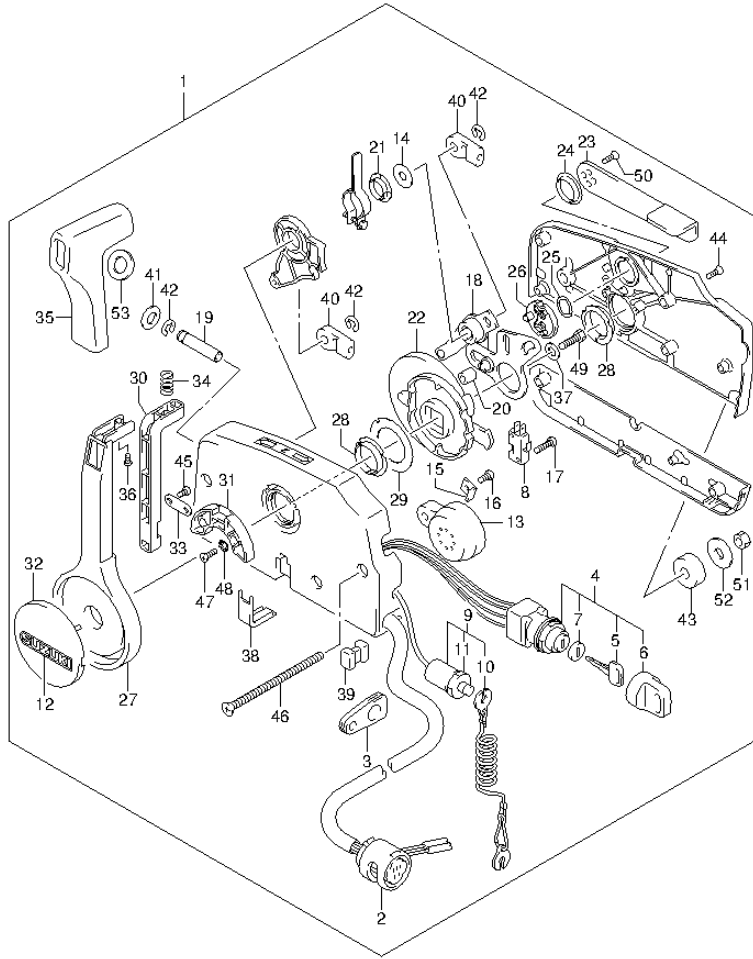
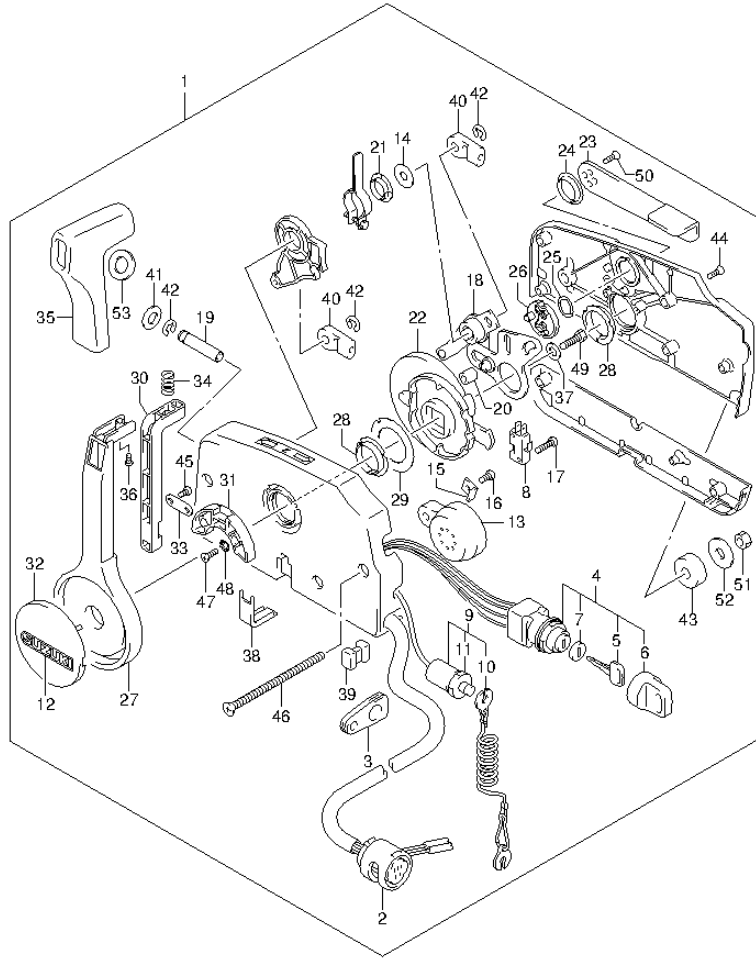


FIG.88 (1-I-5) OPT:REMOTE CONTROL (W/IGNITION SWITCH) (DT25K P36)

REF NO.	PART NO.	DESCRIPTION	Q'TY	REMARKS
1	67200-97E44	REMOTE CONTROL ASSY	1	
2	36620-95D10	..WIRE ASSY, REMOCON	1	
3	36628-92E00	..GROMMET	1	
4	37110-99E01	..SWITCH ASSY, IGNITION	1	
5-1	37141-99E00	..KEY (931)	1	
5-2	37141-99E10	..KEY (932)	1	
5-3	37141-99E20	..KEY (933)	1	
5-4	37141-99E30	..KEY (934)	1	
5-5	37141-99E40	..KEY (935)	1	
5-6	37141-99E50	..KEY (936)	1	
5-7	37141-99E60	..KEY (937)	1	
5-8	37141-99E70	..KEY (938)	1	
5-9	37141-99E80	..KEY (939)	1	
5-10	37141-99E90	..KEY (940)	1	
5-11	37141-99EA0	..KEY (941)	1	
5-12	37141-99EB0	..KEY (942)	1	
6	37143-99E00	..CAP, KEY	1	
7	37149-93J00	..CAP, CYLINDER BODY	1	
8	37721-94601	..SWITCH, NEUTRAL	1	
9	37820-92E03	..SWITCH ASSY, EMERGENCY	1	
10	37823-92E01	..PLATE	1	
11	37826-92E00	..NUT	1	
12	68165-16B00-13L	..EMBLEM, SUZUKI (SILVER)	1	
13	38500-92X50	..BUZZER, WARNING	1	
14	67212-95600	..WASHER	1	
15	67213-92E00	..BRACKET, BUZZER	1	
16	09125-05042	..SCREW (5X10)	1	
17	67296-92E11	..SCREW, BUZZER BRKT	2	
18	67220-95620	..PLATE ASSY	1	
19	67223-99E10	..KNOB, BRAKE ADJUST	1	
20	67229-95600	..ROLLER	1	
21	67232-95600	..BUSH	1	
22	67238-87D00	..GEAR, DRIVE	1	
23	67241-99E10	..LEVER, FREE THROTTLE	1	

FIG.88

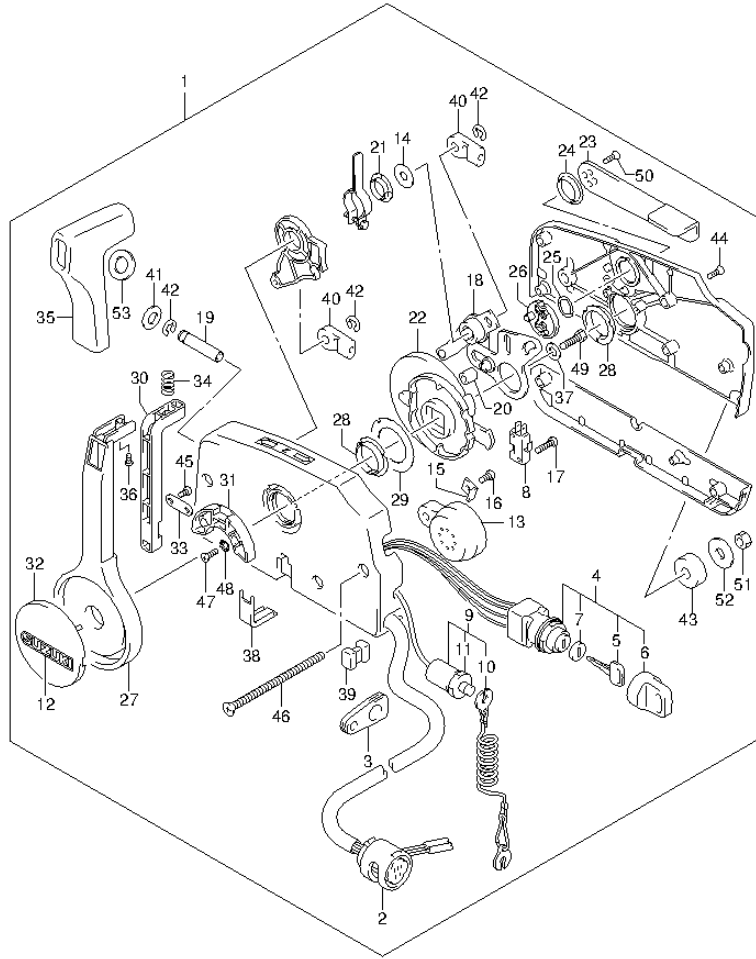
FIG.88 (1-1-6) OPT:REMOTE CONTROL (W/IGNITION SWITCH) (DT25K P36)



REF NO.	PART NO.	DESCRIPTION	Q'TY	REMARKS
24	67243-95600	.BUSH	1	
25	67244-95600	.WAVE WASHER	1	
26	67245-95600	.DRUM, FREE THROTTLE	1	
27	67251-99E10	.LEVER, HANDLE	1	
28	67252-95600	.BUSH	2	
29	67253-95600	.WASHER	1	
30	67255-99E00	.ARM, LOCK	1	
31	67256-95600	.HOLDER, NEUT LOCK	1	
32	67257-99E00	.CAP, LEVER	1	
33	67258-99E00	.BRACKET	1	
34	67259-87D00	.SPRING, NEUTRAL ARM	1	
35	67261-99E00	.GRIP	1	
36	67296-94310	.SCREW, BUZZER BRKT	1	
37	67264-95600	.WASHER	1	
38	67267-93J00	.COVER, WIRE	1	
39	67273-95600	.SPACER	1	
40	67275-95600	.END, CABLE	2	
41	67288-92E00	.WASHER	1	
42	67292-94300	.E RING	3	
43	67294-95600	.SPACER	3	
44	67296-90J00	.SCREW, COVER	5	
45	67296-94300	.SCREW	2	
46	67296-95600	.SCREW	3	
47	67296-95610	.SCREW	2	
48	67297-95600	.WASHER	2	
49	09100-08232	.BOLT (8X30)	1	
50	09126-05003	.SCREW (5X12)	2	
51	09140-06020	.NUT	3	
52	09160-06104	.WASHER (6.5X24X2)	3	
53	37859-90J00	.SPACER	1	

FIG.89

FIG.89 (1-1-7) OPT:REMOTE CONTROL (W/IGNITION SWITCH) (DT30 P40)



REF NO.	PART NO.	DESCRIPTION	Q'TY	REMARKS
1	67200-97E44	REMOTE CONTROL ASSY	1	
2	36620-95D10	..WIRE ASSY, REMOCON	1	
3	36628-92E00	..GROMMET	1	
4	37110-99E01	..SWITCH ASSY, IGNITION	1	
5-1	37141-99E00	..KEY (931)	1	
5-2	37141-99E10	..KEY (932)	1	
5-3	37141-99E20	..KEY (933)	1	
5-4	37141-99E30	..KEY (934)	1	
5-5	37141-99E40	..KEY (935)	1	
5-6	37141-99E50	..KEY (936)	1	
5-7	37141-99E60	..KEY (937)	1	
5-8	37141-99E70	..KEY (938)	1	
5-9	37141-99E80	..KEY (939)	1	
5-10	37141-99E90	..KEY (940)	1	
5-11	37141-99EA0	..KEY (941)	1	
5-12	37141-99EB0	..KEY (942)	1	
6	37143-99E00	..CAP, KEY	1	
7	37149-93J00	..CAP, CYLINDER BODY	1	
8	37721-94601	..SWITCH, NEUTRAL	1	
9	37820-92E03	..SWITCH ASSY, EMERGENCY	1	
10	37823-92E01	..PLATE	1	
11	37826-92E00	..NUT	1	
12	68165-16B00-13L	..EMBLEM, SUZUKI (SILVER)	1	
13	38500-92X50	..BUZZER, WARNING	1	
14	67212-95600	..WASHER	1	
15	67213-92E00	..BRACKET, BUZZER	1	
16	09125-05042	..SCREW (5X10)	1	
17	67296-92E11	..SCREW, BUZZER BRKT	2	
18	67220-95620	..PLATE ASSY	1	
19	67223-99E10	..KNOB, BRAKE ADJUST	1	
20	67229-95600	..ROLLER	1	
21	67232-95600	..BUSH	1	
22	67238-87D00	..GEAR, DRIVE	1	
23	67241-99E10	..LEVER, FREE THROTTLE	1	

FIG.89

FIG.89 (1-1-8) OPT:REMOTE CONTROL (W/IGNITION SWITCH) (DT30 P40)

REF NO.	PART NO.	DESCRIPTION	Q'TY	REMARKS
24	67243-95600	.BUSH	1	
25	67244-95600	.WAVE WASHER	1	
26	67245-95600	.DRUM, FREE THROTTLE	1	
27	67251-99E10	.LEVER, HANDLE	1	
28	67252-95600	.BUSH	2	
29	67253-95600	.WASHER	1	
30	67255-99E00	.ARM, LOCK	1	
31	67256-95600	.HOLDER, NEUT LOCK	1	
32	67257-99E00	.CAP, LEVER	1	
33	67258-99E00	.BRACKET	1	
34	67259-87D00	.SPRING, NEUTRAL ARM	1	
35	67261-99E00	.GRIP	1	
36	67296-94310	.SCREW, BUZZER BRKT	1	
37	67264-95600	.WASHER	1	
38	67267-93J00	.COVER, WIRE	1	
39	67273-95600	.SPACER	1	
40	67275-95600	.END, CABLE	2	
41	67288-92E00	.WASHER	1	
42	67292-94300	.E RING	3	
43	67294-95600	.SPACER	3	
44	67296-90J00	.SCREW, COVER	5	
45	67296-94300	.SCREW	2	
46	67296-95600	.SCREW	3	
47	67296-95610	.SCREW	2	
48	67297-95600	.WASHER	2	
49	09100-08232	.BOLT (8X30)	1	
50	09126-05003	.SCREW (5X12)	2	
51	09140-06020	.NUT	3	
52	09160-06104	.WASHER (6.5X24X2)	3	
53	37859-90J00	.SPACER	1	

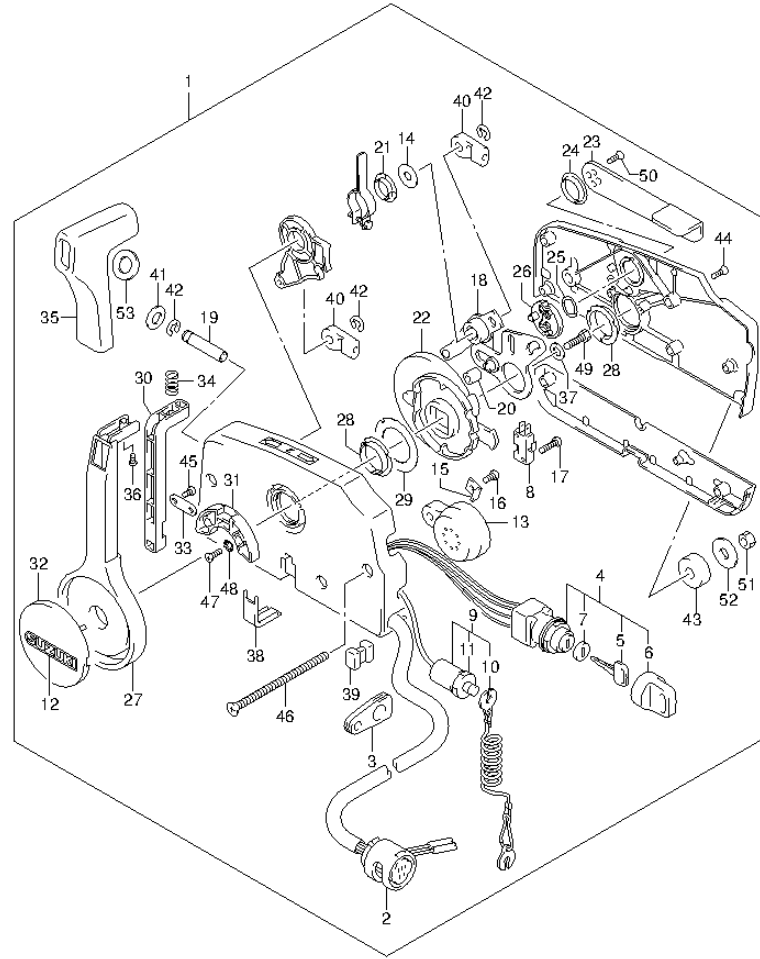




FIG.90

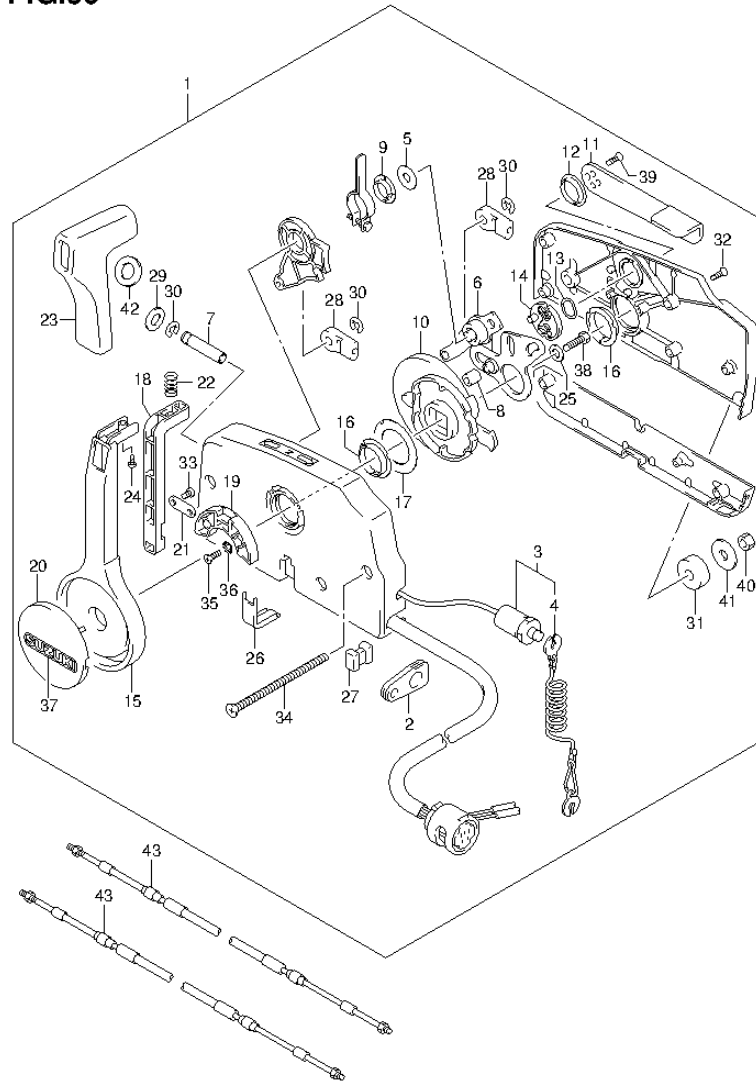
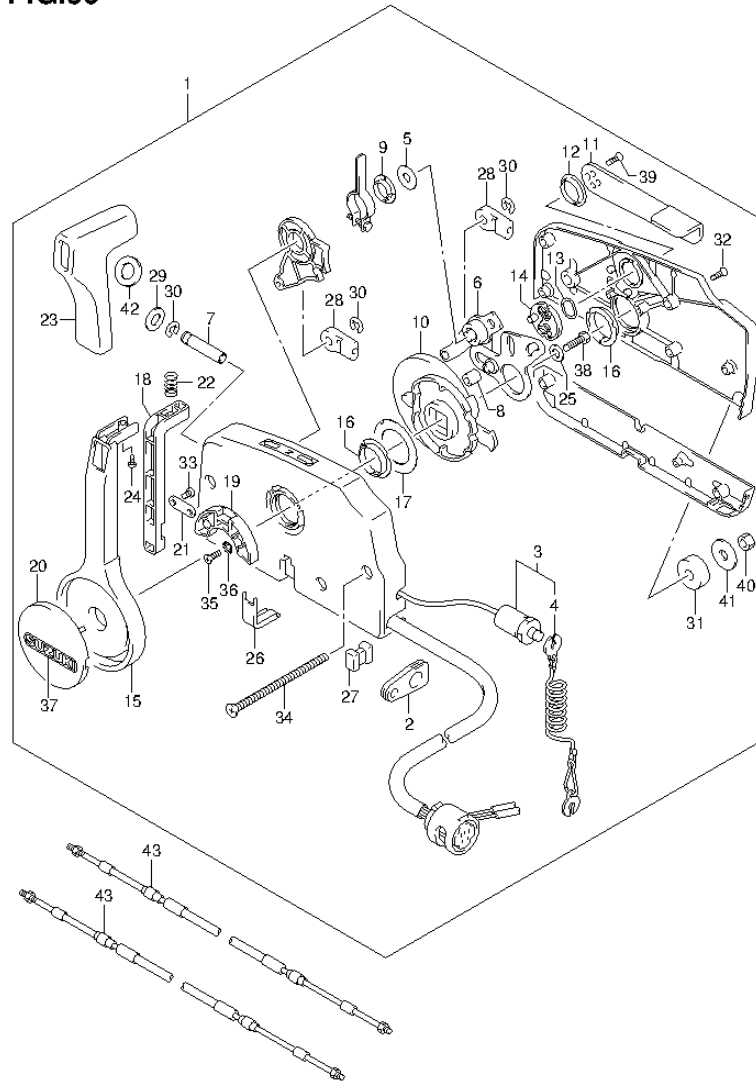


FIG.90 (1-I-9) OPT:REMOTE CONTROL (N/IGNITION SWITCH)

REF NO.	PART NO.	DESCRIPTION	Q'TY	REMARKS
1	67200-939B4	REMOTE CONTROL ASSY	1	
2	36628-92E00	.GROMMET, WIRE HARNESS	1	
3	37830-95D02	.SWITCH ASSY, EMERGENCY & STOP	1	
4	37823-92E01	.PLATE, LOCK	1	
5	67212-95600	.WASHER	1	
6	67220-95620	.PLATE ASSY	1	
7	67223-99E10	.KNOB, BRAKE ADJUST	1	
8	67229-95600	.ROLLER	1	
9	67232-95600	.BUSH	1	
10	67238-87D00	.GEAR, DRIVE	1	
11	67241-99E10	.LEVER, FREE THROTTLE	1	
12	67243-95600	.BUSH	1	
13	67244-95600	.WAVE WASHER	1	
14	67245-95600	.DRUM, FREE THROTTLE	1	
15	67251-99E10	.LEVER, HANDLE	1	
16	67252-95600	.BUSH	2	
17	67253-95600	.WASHER	1	
18	67255-99E00	.ARM, LOCK	1	
19	67256-95600	.HOLDER, NEUTRAL LOCK	1	
20	67257-99E00	.CAP, LEVER	1	
21	67258-99E00	.BRACKET	1	
22	67259-87D00	.SPRING, NEUTRAL ARM	1	
23	67261-99E00	.GRIP	1	
24	67296-94310	.SCREW	1	
25	67264-95600	.WASHER	1	
26	67267-93J00	.COVER, WIRE	1	
27	67273-95600	.SPACER	1	
28	67275-95600	.END, CABLE	2	
29	67288-92E00	.WASHER, BRAKE ADJ KNOB	1	
30	67292-94300	.E RING	3	
31	67294-95600	.SPACER	3	
32	67296-90J00	.SCREW, REAR COVER	5	
33	67296-94300	.SCREW	2	
34	67296-95600	.SCREW	3	

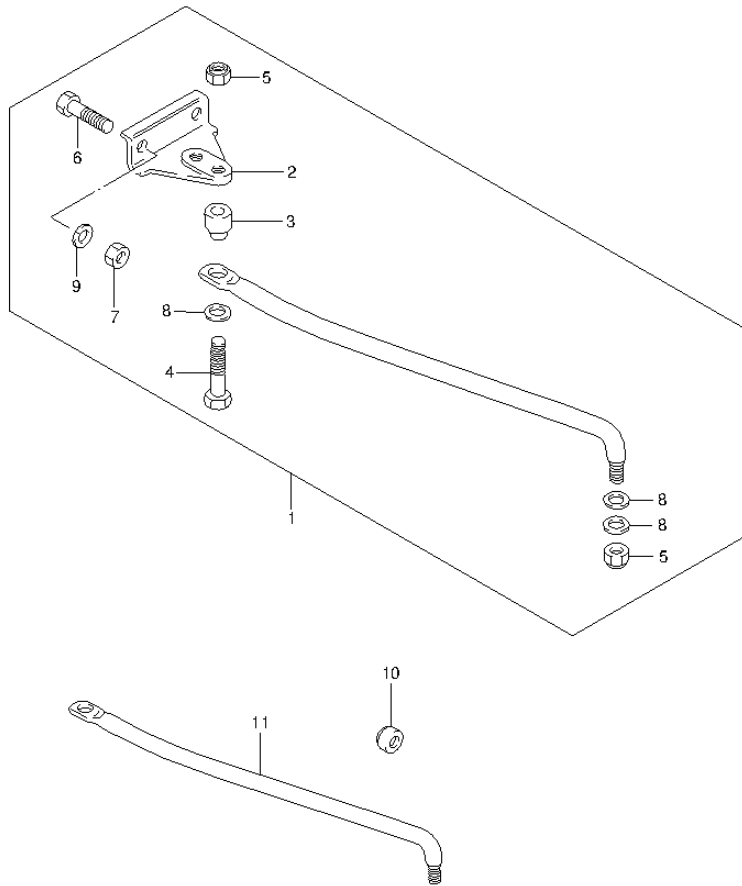
FIG.90

FIG.90 (1-I-10) OPT:REMOTE CONTROL (N/IGNITION SWITCH)



REF NO.	PART NO.	DESCRIPTION	Q'TY	REMARKS
35	67296-95610	.SCREW	2	
36	67297-95600	.WASHER	2	
37	68165-16B00-13L	.EMBLEM, SUZUKI (SILVER)	1	
38	09100-08232	.BOLT (8X30)	1	
39	09126-05003	.SCREW (5X12)	2	
40	09140-06020	.NUT	3	
41	09160-06104	.WASHER (6.5X24X2)	3	
42	37859-90J00	.SPACER	1	
43-1	67320-93J00	CABLE ASSY, REMOCON 8F (2.4M)	2	
43-2	67320-93J10	CABLE ASSY, REMOCON 10F (3.1M)	2	
43-3	67320-93J20	CABLE ASSY, REMOCON 12F (3.7M)	2	
43-4	67320-93J30	CABLE ASSY, REMOCON 14F (4.2M)	2	
43-5	67320-93J40	CABLE ASSY, REMOCON 16F (4.8M)	2	
43-6	67320-93J50	CABLE ASSY, REMOCON 18F (5.4M)	2	
43-7	67320-93J60	CABLE ASSY, REMOCON 20F (6.1M)	2	
43-8	67320-93J70	CABLE ASSY, REMOCON 22F (6.7M)	2	
43-9	67320-93J80	CABLE ASSY, REMOCON 24F (7.3M)	2	

**FIG.91**



**FIG.91 (1-I-11) OPT:DRAG LINK**

REF NO.	PART NO.	DESCRIPTION	Q'TY	REMARKS
1	67701-94420	DRAG LINK ASSY	1	
2	43755-96320	.ATTACHMENT, STEERING BRACKET	1	
3	67721-94310	.SPACER	1	
4	67725-99E10	.BOLT	1	
5	67726-99E00	.NUT	2	
6	09100-08309	.BOLT (8X35)	2	
7	09140-08023-XC0	.NUT	2	
8	67728-99E00	.WASHER	3	
9	29162-93J10	.LOCK WASHER	2	
10	41161-94400	SEAL, STEERING CABLE	1	
11	67711-97E60	DRAG LINK	1	

PART NO.	FIG.NO.-REF.NO.	PART NO.	FIG.NO.-REF.NO.	PART NO.	FIG.NO.-REF.NO.
10000		12161-91L00	4-8	13250-93012	10-7
			5-8		11-6
			6-8		12-6
		12200-91L40	4-7	13251-93320	11-7
			5-7		12-7
11111-91L20	2-3		6-7	13254-98300	10-9
	3-3	12211-96311	4-11		11-8
11111-91L30	1-3		4-12		12-8
11119-91L00	1-6		5-11	13254-98410	10-8
	2-6		5-12	13261-95200	10-34
	3-6		6-11	13265-94360	10-21
11141-96344	1-4		6-12	13268-96111	10-12
	2-4	12221-91L30	4-13		11-10
	3-4		5-13		12-10
11161-91L10	1-1		6-13	13269-93311	11-4
	2-1	12231-91L30	4-15		12-4
	3-1		5-15	13269-98100	10-4
11162-96310	1-2		6-15	13270-94350	10-6
	2-2	12232-91L30	4-14	13271-93311	11-3
	3-2		5-14		12-3
11300-91L30	2-8		6-14	13282-94350	10-26
	3-8	12240-91L30	4-17	13370-28110	10-11
11300-91L40	1-8		5-17		11-9
11411-91L00	13-1		6-17		12-9
	14-1	12481-91L10	7-3	13370-94350	10-10
	15-1	12481-96380-0EP	8-4	13392-58600	10-22
11413-96310	13-2		9-4		11-13
	14-2	13121-96400	7-4		12-13
	15-2	13125-93010	8-5	13415-94350	10-19
11431-91L00	16-2		9-5	13418-94360	10-20
	17-2	13125-95210	7-5	13419-94400	10-32
	18-2	13150-91L00	7-8	13441-94350	10-24
11433-91L00	16-1		8-8	13443-94350	10-28
	17-1		9-8	13446-94360	10-31
	18-1	13152-91L00	7-9	13450-94350	10-23
12100-91L00-050	4-23		8-9	13461-94350	10-27
	5-24		9-9	13521-78100	10-25
	6-24	13153-91L00	7-10	13534-96300	10-17
12110-91L00-0B0	4-1		8-10		11-11
	5-1		9-10		12-11
	6-1	13200-96461	10-1	13580-96351	10-30
12140-91L00	5-2	13200-964J0	11-1	13616-93900	10-13
	6-2		12-1	13625-94300	61-30
12140-91L10	4-2	13235-94350	10-5		62-28
12140-96351-050	4-24		11-5		63-27
	5-25		12-5	13631-93501	10-35
	6-25	13240-94620	11-18		11-21
12151-91L00	4-3		12-18		12-21
	5-3	13245-94350	10-18	13651-94350	10-15
	6-3	13245-96400	10-33		10-16

PART NO.	FIG.NO.-REF.NO.	PART NO.	FIG.NO.-REF.NO.	PART NO.	FIG.NO.-REF.NO.
13651-95300	10-14		21-16	17563-96301	22-8
13681-96301	11-14	15410-94400	19-11		23-8
	12-14		20-12		24-8
13682-96300	11-15		21-12	17564-96301	22-9
	12-15	15413-87D10	19-13		23-9
	11-19		20-14		24-9
13694-96300	12-19		21-14	17565-96300	22-10
13811-96300	8-18	15420-96300	19-20		23-10
	9-18	15430-87D10	19-12		24-10
	7-19		20-13	17566-96302	22-11
13811-96351	7-16		21-13		23-11
14131-91L10	8-15	15851-94300	20-5		24-11
	9-15		21-5	17631-91L00	58-18
14141-91L10	7-17	16710-95211	1-18		59-18
	8-16		2-18		60-18
	9-16		3-19	17670-93953	1-14
14151-96311	7-15	16911-92E20	19-10		2-14
	8-14		20-18		3-14
	9-14		21-18	17681-91L10	1-19
14211-91L00	16-4	17400-94412	22-21		2-19
	17-4-2		23-21		3-20
	18-4-2		24-21	17685-96300	1-20
14211-91L10	17-4-1	17410-92L00	22-1		2-20
	18-4-1		23-1		3-21
	16-6		24-1	18100-91L00	25-1
14212-91L00	17-6	17431-91L00	22-2		26-1
	18-6		23-2-2		27-1
15100-94311	20-1		24-2-2	18120-91L00	25-2
	21-1	17431-91L10	23-2-1		26-2
	19-1		24-2-1		27-2
15100-9436V	20-2		22-3	18130-91L00	25-3
15170-94320	21-2	17432-96300	23-3		26-3
	19-2		24-3		27-3
15170-94460	20-3	17453-95D00	22-23	18132-89L00	25-8
15183-94301	21-3		23-23		26-8
	20-4		24-23		27-8
15186-94300	21-4	17461-964L0	22-4	18142-96300	25-4
	19-7		23-4		26-4
15211-91J00-170	19-6		24-4		27-4
15211-91J00-180	20-8	17471-92L00	22-5	18151-96310	25-5
15211-91J00-195	20-9		23-5		26-5
	21-8		24-5		27-5
	21-9	17472-96303	22-6	18210-93002	25-6
15211-91J00-320	20-11		23-6		26-6
	21-11		24-6		27-6
15321-96300	19-5	17560-91L00	22-7	18280-96320	25-7
15321-99710	20-7		23-7-2		26-7
	21-7		24-7-2		27-7
15322-96300	19-15	17560-91L10	23-7-1	18290-91L00	25-9
15331-94300	20-16		24-7-1		26-9

PART NO.	FIG.NO.-REF.NO.	PART NO.	FIG.NO.-REF.NO.	PART NO.	FIG.NO.-REF.NO.
18293-96310	27-9	21111-96303-0EP	33-29	25215-96301	31-34
	25-10		87-11		32-34
	26-10	21111-96311	31-1		33-27
18411-96301	27-10		32-1	25222-96300	31-26
	25-13	21120-91L00	31-2		32-26
	26-13		32-2		33-19
18498-91J00	27-13		33-1	25231-96301	31-27
	67-25	21131-94J00	64-7		32-27
	18642-96301		65-6		33-20
18652-96300	28-12		31-3	25232-96302	31-28
	29-21	21142-96300	32-3		32-28
	30-21		31-4		33-21
18711-91L10	28-13	21210-96300	32-4	25311-96303	31-29
	29-22		33-2		32-29
	30-22		31-5		33-22
18721-91L10	25-14	21241-96300	32-5	29116-93J10	52-41
	26-14		33-3		53-46
	27-14	21242-91L00	31-6		54-46
19121-91L00	25-19		32-6	29125-93J10	51-22
	26-19	21311-91L00	31-7		55-27
	28-1		32-7		56-27
19131-95502	29-1		33-4	29141-93J00	57-27
	30-1	21312-96300	31-8		22-13
	28-2		32-8		23-13
19131-96300	29-2		52-2		24-13
	30-2	22511-99011	53-2		31-16
	29-3		54-2		32-16
19132-96300	30-3		61-1		33-10
	28-3		62-1		58-22
	19135-96301		63-1		59-22
19135-96350	30-4		31-9	29141-93J20	60-22
	28-4	23111-91L10	32-9	29162-93J00	51-30
	29-5		33-5		22-14
19141-96301	30-5		31-10		23-14
	29-6	23131-93900	32-10		24-14
	30-6		33-6		58-23
19656-96300	29-7		31-11		59-23
	19720-91L00	23131-94300	32-11		60-23
	30-7		33-7	29162-93J10	51-18
19761-91L00	29-8		31-12		52-39
	30-8	23311-95J00	32-12		53-44
	19761-96351		33-8		54-44
19811-91L10	28-5		32-24-1		67-4
	29-9	25111-91L01	33-17-1		68-4
	30-9		31-24		75-9
19859-94300	29-10		32-24-2		91-9
	30-10	25111-91L11	33-17-2	29404-93J10	1-17
			31-25		2-17
20000		25211-91L00	32-25		3-17
			33-18		3-17
					19-21

PART NO.	FIG.NO.-REF.NO.	PART NO.	FIG.NO.-REF.NO.	PART NO.	FIG.NO.-REF.NO.
	20-15	31911-91L00	14-4	33820-89E01	46-3
	21-15		15-4		47-2
	39-8	32102-96462	40-1	33833-91J00	39-5
	40-8		41-1		40-5
	41-8		77-3		41-5
	42-7	32102-96472	39-1		48-1
	42-12	32120-96320	39-2		49-7
	43-9		40-2-2		50-8
	43-14	32120-96330	40-2-1		78-12
	44-9		41-2		79-12
	44-14	32140-96310	39-3	34100-93J20	83-5-1
	45-2		40-3		84-5-1
	46-13		41-3	34100-93J31	83-5-2
	47-12	32150-91L00	39-4		84-5-2
	67-27		40-4	34100-93J40	83-5-3
	68-26		41-4		84-5-3
		32500-95722	80-1	34100-93J51	83-5-4
			81-1		84-5-4
			82-1	34190-87D00	83-12
		32800-95D01	43-1		84-12
			44-1	34190-95500	83-10
			76-5		84-10
			77-8	34191-92E00	83-7
		32801-96304	76-1		84-7
			77-4	34200-93J20	83-13-1
			42-1		84-13-1
31100-94401	37-1	32890-91L00	43-3	34200-93J31	83-13-2
	38-1		44-3		84-13-2
31101-96320-0EP	77-1		43-10	34300-93J00	83-16-1
31131-96300	37-7	32900-91L00	44-10		84-16-1
	38-7		42-8	34300-93J11	83-16-2
31132-96300	37-8	32900-91L10	42-2		84-16-2
	38-8	32916-92L00	43-4	34310-92E00	83-17
31135-89J00	37-9		44-4		84-17
	38-9		43-12	34360-92E00	83-18
31173-89J00	37-6	33410-96300	44-12		84-18
	38-6		42-10	34500-93J00	83-1-1
31281-93340	37-10	33410-96311	43-15		84-1-1
	38-10	33510-90L00	44-15	34500-93J11	83-1-2
31310-96300	37-2		42-13		84-1-2
	38-2	33510-95520	77-2	34600-93J00	83-3-1
31312-96300	37-4	33800-96304	46-7		84-3-1
	38-4	33810-96305	47-6	34600-93J11	83-3-2
31320-94400	37-3		46-8		84-3-2
	38-3	33811-96300	47-7	34850-94700	81-11
31360-96300	37-5		46-9		82-4
	38-5	33815-94501	47-8	34853-94301	81-12
31800-94401	37-12		77-16		82-5
	38-12		46-11	36610-91L00	45-1
31805-96350	37-13	33816-96300	47-10		46-1
	38-13				

PART NO.	FIG.NO.-REF.NO.	PART NO.	FIG.NO.-REF.NO.	PART NO.	FIG.NO.-REF.NO.
36612-93900	50-12		78-11		86-6-8
36612-94301	78-9		79-6		88-5-8
	79-4	37100-99E00	85-3		89-5-8
36613-94300	78-10		86-3	37141-99E80	74-5-9
	79-5	37110-99E01	74-4		85-6-9
36615-96300	61-31		85-5		86-6-9
	62-29		86-5		88-5-9
	78-15		88-4		89-5-9
	79-8		89-4	37141-99E90	74-5-10
	83-9	37132-93700	76-4		85-6-10
	83-14		77-7		86-6-10
	84-9	37139-99E00	85-4		88-5-10
	84-14		86-4		89-5-10
36620-87D20	78-4-1	37141-99E00	74-5-1	37141-99EA0	74-5-11
	79-1-1		85-6-1		85-6-11
36620-95302	78-4-2		86-6-1		86-6-11
	79-1-2		88-5-1		88-5-11
36620-95D00	78-14		89-5-1		89-5-11
	79-7	37141-99E10	74-5-2	37141-99EB0	74-5-12
36620-95D10	74-2		85-6-2		85-6-12
	88-2		86-6-2		86-6-12
	89-2		88-5-2		88-5-12
36628-92E00	74-3		89-5-2		89-5-12
	88-3	37141-99E20	74-5-3	37143-99E00	74-6
	89-3		85-6-3		85-7
	90-2		86-6-3		86-7
36630-92E00	81-14		88-5-3		88-6
	82-7		89-5-3		89-6
36630-96311	50-9	37141-99E30	74-5-4	37149-93J00	74-7
	78-13		85-6-4		85-8
36630-96321	50-10		86-6-4		86-8
	78-6		88-5-4		88-7
36631-94300	50-11		89-5-4		89-7
	78-5	37141-99E40	74-5-5	37160-96322	49-1
	78-7		85-6-5	37210-93J00	85-9
	79-2		86-6-5		86-9
36634-93910	80-8		88-5-5	37212-93J00	85-10
	81-8		89-5-5		86-10
36740-95253	46-5	37141-99E50	74-5-6	37721-94601	74-8
	47-4		85-6-6		88-8
	76-6		86-6-6		89-8
	77-9		88-5-6	37721-96354	49-2
36791-95200	76-2		89-5-6		50-1
	77-5	37141-99E60	74-5-7	37725-94302	49-3
36894-95201	51-21		85-6-7		50-2
	55-26		86-6-7	37726-96303	49-4
	56-26		88-5-7		50-3
	57-26		89-5-7	37801-98300	76-3
36990-87D00	76-13	37141-99E70	74-5-8		77-6
	77-18		85-6-8	37803-99E03	85-1

PART NO.	FIG.NO.-REF.NO.	PART NO.	FIG.NO.-REF.NO.	PART NO.	FIG.NO.-REF.NO.
	86-1	41111-91L00-0EP	51-1		54-16
37820-92E03	74-9	41121-91L00-0EP	51-6	45252-91L00	52-19
	88-9	41130-91L00	51-12		53-19
	89-9	41151-94500	51-13		54-18
37823-92E01	74-10	41161-94400	75-10	45255-96302	52-20
	88-10		91-10		53-20
	89-10	41200-91L00	51-23		54-19
37823-97J00	90-4	41211-93003	51-2	45257-96300	52-21
	48-3		51-7		53-21
	49-9		51-11-2		54-20
37825-99E00	85-2	41211-93900	51-11-1	45260-96300	52-22
	86-2	41211-93920	51-11-3		53-22
37826-92E00	74-11	41212-91LL0-0EP	51-3		54-21
	88-11		51-8	45311-91L00-0EP	52-24
	89-11	41213-94J01	51-4		53-24
37826-97J00	48-4		51-9		54-23
	49-10	41225-94400	51-24	45420-91LL0	51-25
37830-92L01	48-2	43111-91L02-0EP	52-1	45425-94J00	51-26
	49-8		53-1	45700-91L10	53-35
37830-95D02	90-3		54-1		54-35
37835-95D00	48-5	43411-96300	52-12	45731-96312	53-36
	49-11		53-12		54-36
37859-90J00	74-53		54-11		
	88-53	43421-91L00	52-13		
	89-53		53-13		
	90-42		54-12		
38500-92X50	74-13	43710-91L00	52-3		
	88-13		53-3		
	89-13		54-3		
38600-96301	50-6	43741-91L00-0EP	52-5		
	78-1		53-5	52110-91L20-0EP	56-4-1
	79-11		54-5		57-4-1
39600-93910	80-4	43751-91L00-0EP	52-6	52110-91L30-0EP	55-4
	81-4		53-6		56-4-2
39601-95D00	80-7		54-6		57-4-2
	81-7	43753-96310	52-7	52113-96330	16-3
39602-93900	80-9		53-7		17-3
	81-9	43755-96320	52-37		18-3
39603-94400	80-10		53-42	54121-96301	55-6
	81-10		54-42		56-6
39669-94400	61-29		75-2		57-6
	62-27		91-2	54130-96320	55-9
		45231-91L00	52-16		56-9
			53-16		57-9
			54-15	54137-91L10-0EP	55-8
		45241-91L00	52-18		56-8
			53-18		57-8
			54-17	54138-96300	55-18
40000		45246-91L00	52-17		56-18
			53-17		57-18

PART NO.	FIG.NO.-REF.NO.	PART NO.	FIG.NO.-REF.NO.	PART NO.	FIG.NO.-REF.NO.
54151-96300	55-13		36-8		59-11-8
	56-13	57134-96301	34-9		60-11-8
	57-13		35-9	58100-96481-019	58-11-9
54160-96310	55-5		36-9		59-11-9
	56-5	57311-91L00	34-10		60-11-9
	57-5		35-10	58120-96401	58-12
54165-96310	55-14		36-10		59-12
	56-14	57510-91L00	34-14		60-12
	57-14		35-14	58200-96400	58-11-6
54211-91L10-0EP	55-19		36-14		59-11-6
	56-19	57521-91L00	34-24		60-11-6
	57-19		35-24	59412-91J00	19-9
54212-91L10-0EP	55-20		36-24	59800-90L00	64-10
	56-20	57610-96311	34-22		65-9
	57-20		35-22		66-8
54221-91L10-0EP	55-21		36-22		
	56-21	57621-91L10	34-18		
	57-21		35-18		
55100-91L20-0EP	58-1		36-18		
	60-1	57630-96300	58-25		
55100-91L30-0EP	59-1		59-25	61110-91L20-0EP	61-2
55114-96310	58-4		60-25		62-2
	59-4	57631-96301	34-16		63-2
	60-4		35-16	61112-91L00	61-4
	58-5		36-16		62-4
55125-96310	59-5	57632-91L00	58-13		63-4
	60-5		59-13	61113-91L00	61-5
	58-24		60-13		62-5
55181-95200	59-24	57633-96300	58-14		63-5
	60-24		59-14	61131-91L00-RB4	61-6
	58-20		60-14		62-6
55300-95500	59-20	58100-91L00-019	58-11-4		63-6
	60-20		59-11-4	61138-944L0	61-25
	34-26		60-11-4		62-25
56120-91L10-0EP	35-26	58100-91L10-019	58-11-5		63-25
	36-26		59-11-5	61155-94500	61-23
	48-8		60-11-5		62-23
56123-986L0	22-16	58100-95D01-019	58-11-7		63-23
56130-91L10-0EP	23-16		59-11-7	61400-91L10-0EP	64-1
	24-16		60-11-7		65-1
	22-22	58100-96371-019	58-11-1		66-1
56130-96320-0EP	23-22		59-11-1	61431-91L00-0EP	64-2
	24-22		60-11-1		65-2
	34-1	58100-96411-019	58-11-2		66-2
	35-1-2		59-11-2	61435-91L00	64-5
	36-1-2		60-11-2	61435-91L10	65-5
57110-91L00	35-1-1	58100-96421-019	58-11-3		66-5
	36-1-1		59-11-3	61443-91L00	64-11
57110-91L10	34-8		60-11-3		65-10
57133-96302	35-8	58100-96471-019	58-11-8		66-9

60000

PART NO.	FIG.NO.-REF.NO.	PART NO.	FIG.NO.-REF.NO.	PART NO.	FIG.NO.-REF.NO.
61449-93921	64-6	63244-94J00	67-14		70-18
61453-91L00	64-12		68-14	65781-98500	69-13
	65-11	63610-91L00	67-10		69-19
	66-10		68-10		70-14
61458-89L00	64-9	63625-94300	63-29		70-19
	65-8	63625-96300	67-9		71-14
	66-7		68-9		72-14
61472-94J00	25-22	65000-95D01	70-1	65830-95500	69-16
	26-22		71-1		70-20
	27-20		72-1	65831-95D00	69-4
61610-90L00	61-16	65000-99100	69-1		70-4
	62-16	65318-93910	70-15		71-4
	63-16	65520-95D00	70-2		72-4
61616-93EL0	61-17		71-2	65842-94401	69-17
	62-17		72-2		70-21
	63-17	65520-99100	69-2	65890-95D00	70-5
61622-96302	64-3	65561-95D00	69-3		71-5
	65-3		70-3		72-5
	66-3		71-3	65890-99100	69-5
61642-90L00	61-18		72-3	65892-95D00	69-6
	62-18	65700-87DA1	71-10		70-6
	63-18		72-10		71-6
63111-91L00-0EP	67-6	65700-94416	69-14		72-6
	68-6	65700-94424	70-16	67100-96300	52-35
63114-94300	67-2	65700-95D04	69-9		53-40
	68-2	65700-96362	70-10		54-40
63115-96310	67-7	65720-955L0	69-21	67110-99710	52-40
	68-7	65720-985L1	70-8		53-45
63116-96301	67-8		71-8		54-45
	68-8		72-8	67130-91L00-0EP	87-1
63118-94300	67-24-1	65740-95D01	70-7	67200-939B4	90-1
	68-24-1		71-7	67200-97E44	74-1
63118-94310	67-24-2		72-7		88-1
	68-24-2	65740-99100	69-7		89-1
63121-91L10-0EP	67-1	65750-95500	69-11	67212-95600	74-14
	68-1		69-15		88-14
63210-93E30	67-22		70-11		89-14
	68-22		71-11		90-5
63220-91L00	67-23		72-11	67213-92E00	74-15
	68-23	65750-98505	69-10		88-15
63223-92D00	67-19		70-12		89-15
	68-19		70-17	67220-95620	74-18
63225-93200	67-11		71-12		88-18
	68-11		72-12		89-18
63225-94J00	67-26	65761-91L00	69-22		90-6
	68-25	65770-90J11	69-18	67223-99E00	74-19
63240-94J10	67-12	65770-90L01	71-13	67223-99E10	88-19
	68-12		72-13		89-19
63241-986B0	67-13	65770-99J01	69-12		90-7
	68-13	65779-93900	70-13	67229-95600	74-20

PART NO.	FIG.NO.-REF.NO.	PART NO.	FIG.NO.-REF.NO.	PART NO.	FIG.NO.-REF.NO.
67232-95600	88-20	67258-99E00	90-20	67296-94310	89-45
	89-20		74-33		90-33
	90-8		88-33		74-36
	74-21		89-33		88-36
67238-87D00	88-21	67259-87D00	90-21	67296-95600	89-36
	89-21		74-34		90-24
	90-9		88-34		74-46
	74-22		89-34		88-46
67241-99E10	88-22	67261-99E00	90-22	67296-95610	89-46
	89-22		74-35		90-34
	90-10		88-35		74-47
	74-23		89-35		88-47
67243-95600	88-23	67264-95600	90-23	67297-95600	89-47
	89-23		74-37		90-35
	90-11		88-37		74-48
	74-24		89-37		88-48
67244-95600	88-24	67267-93J00	90-25	67320-93J00	89-48
	89-24		74-38		90-36
	90-12		88-38		90-43-1
	74-25		89-38		90-43-2
67245-95600	88-25	67273-95600	90-26	67320-93J20	90-43-3
	89-25		74-39		90-43-4
	90-13		88-39		90-43-5
	74-26		89-39		90-43-6
67251-99E10	88-26	67275-95600	90-27	67320-93J60	90-43-7
	89-26		74-40		90-43-8
	90-14		88-40		90-43-9
	74-27		89-40		73-8
67252-95600	88-27	67288-92E00	90-28	67414-91L00-0EP	87-2
	89-27		74-41		73-1
	90-15		88-41		87-8
	74-28		89-41		73-2
67253-95600	88-28	67292-94300	90-29	67440-93701	87-3
	89-28		74-42		73-5
	90-16		88-42		87-7
	74-29		89-42		75-1
67255-99E00	88-29	67294-95600	90-30	67701-94420	91-1
	89-29		74-43		91-11
	90-17		88-43		75-3
	74-30		89-43		91-3
67256-95600	88-30	67296-90J00	90-31	67725-99E10	75-4
	89-30		74-44		91-4
	90-18		88-44		75-5
	74-31		89-44		91-5
67257-95610	88-31	67296-92E11	90-32	67728-99E00	75-8
	89-31		74-17		91-8
	90-19		88-17		64-15
	74-32		89-17		65-14
67257-99E00	88-32	67296-94300	74-45	68110-88L00	66-13
89-32	88-45		68111-91L00		64-13

PART NO.	FIG.NO.-REF.NO.	PART NO.	FIG.NO.-REF.NO.	PART NO.	FIG.NO.-REF.NO.
68165-16B00-13L	65-12	68165-16B00-13L	44-13	01580-08257	14-5
	66-11		45-3		15-5
	74-12		46-10		26-20
	88-12		46-14-1		37-11
69711-93E10	89-12	69711-93E10	46-14-2	02112-05127	38-11
	90-37		47-9		78-2
	25-11		47-13		79-9
	26-11		77-17		11-16
69712-93E10	27-11	69712-93E10	1-21	02112-05207	12-16
	64-8		2-21		7-11
	65-7		3-22		8-11
	66-6		25-15		9-11
69714-94J00	67-28	69714-94J00	25-16	02112-35087	39-9
	68-27		26-15		40-9
			26-16		41-9
			27-15		39-10
90000		90000	27-16	02112-35127	40-10
			1-7		41-10
			1-13		50-7
			2-7		39-11
99000-81159-50M	25-12	99000-81159-50M	2-13	02112-35207	40-11
	26-12		3-7		41-11
	27-12		3-13		39-12
	65-13		7-1		40-12
99011-91L40-063	66-12	99011-91L40-063	8-1	02122-06167	41-12
	64-14		9-1		13-3
			7-18		14-3
			8-13		15-3
99011-91L50-063		99011-91L50-063	9-13	02122-0616A	7-13
			28-10		8-12
			29-19		9-12
			30-19		43-2
00000		00000	25-17	02142-05257	44-2
			25-20		76-8
			26-17		77-11
			27-17		7-12
01411-0620A	7-7	01411-0620A	1-11	02142-06357	8-17
	8-3		2-11		9-17
	9-3		3-11		80-2
	7-6		1-10		81-2
01411-0820A	8-6	01411-0820A	2-10	02162-06127	82-2
	9-6		2-10		82-2
	20-6		3-10		83-11
	21-6		1-12		84-11
01547-06407	42-6	01547-06407	2-12	03112-06303	58-19
	43-8		3-12		59-19
	44-8		1-5		60-19
	37-14		2-5		46-12
01550-06127	38-14	01550-06127	3-5	03241-0625A	47-11
	42-11		19-4		64-4
	43-13		19-3		65-4
01550-06167		01550-06167		03542-06169	



PART NO.	FIG.NO.-REF.NO.	PART NO.	FIG.NO.-REF.NO.	PART NO.	FIG.NO.-REF.NO.
04211-09109	66-4	08331-41406	34-4	09116-06225	62-9
	1-9		35-4		63-9
	2-9		36-4		31-15
	3-9		49-5		32-15
08113-60060	34-27	09100-05104	50-4	09116-06226	53-37
	35-27		31-13		54-37
08211-15203	36-27	09100-06174	32-13	09100-06175	61-21
	34-11-6		28-6		62-21
	35-11-6		29-11		63-21
	36-11-6		29-12		73-6
08211-15204	34-11-8	09100-08232	30-11	09116-06227	73-9
	35-11-8		30-12		55-7
08211-20253	36-11-8	09100-08309	74-49	09116-06229	56-7
	34-2		88-49		57-7
	35-2		89-49		22-19
	36-2		90-38		23-19
08221-30404	34-25-1	09100-08311	52-38	09100-08313	24-19
	35-25-1		53-43		31-14
	36-25-1		54-43		32-14
	76-9		75-6		33-9
08310-00057	77-12	09100-08318	91-6	09116-06230	33-31
	37-15		51-15		61-15
	37-17		51-16		62-15
	38-15		55-10		63-15
08310-00067	38-17	09100-10319	56-10	09116-06232	34-30
	61-22		57-10		35-30
	62-22		55-15		36-30
	63-22		56-15		61-7
08316-10067	7-2	09103-06093	57-15	09116-06234	62-7
	8-2		87-12		63-7
	9-2		25-18		55-22
	7-14		26-18		56-22
08316-10087	8-7	09108-06098	27-18	09116-06234	57-22
	9-7		22-12		16-5
	19-14		23-12		17-5
	20-17		24-12		18-5
08321-0105A	21-17	09108-08300	67-3	09116-06237	87-6
	11-17		68-3		58-6
	12-17		52-26		59-6
	76-10		53-26		60-6
08321-01067	77-13	09111-10066	54-25	09116-08149	52-8
	78-3		51-28		53-8
	79-10		53-38		54-7
	37-16		54-38		55-23
08321-01067	37-18	09111-10068	51-29	09116-08154	56-23
	38-16		52-25		57-23
	38-18		53-25		58-9
	80-3		54-24		59-9
08322-01067	81-3	09116-05010	87-9	09118-08169	60-9
	82-3		51-25		55-3
			52-25		
			53-25		

PART NO.	FIG.NO.-REF.NO.	PART NO.	FIG.NO.-REF.NO.	PART NO.	FIG.NO.-REF.NO.
09118-08172	56-3	09119-05010	54-41	09140-10032	43-5
	57-3		67-5		44-5
	55-2		68-5		28-7
	56-2		75-7		29-14
09119-05010	57-2	09119-06047	91-7	09160-06084	30-14
	29-13		52-27		74-52
	30-13		53-27		88-52
	73-7		54-26		89-52
09119-08104	87-10	09125-05042	70-9	09160-06104	90-41
	52-14		88-16		51-20
	53-14		89-16		52-43
	54-13		91-16		53-48
09125-05042	74-16	09141-14008	40-6	09140-18024	54-48
	88-16		41-6		51-31
	89-16		58-16		55-11
	61-8		59-16		55-16
09125-05046	62-8	09148-06008	60-16	09160-10082	53-48
	63-8		67-15		56-11
	74-50		68-15		56-16
	88-50		61-12		56-25
09126-05003	89-50	09148-06017	62-12	09141-14008	57-11
	90-39		63-12		57-16
	58-21		34-12		57-25
	59-21		35-12		55-17
09126-06006	60-21	09159-08046	36-12	09160-10083	56-17
	67-21		52-42		57-17
	68-21		53-47		42-4
	67-16		54-47		43-6
09126-06015	68-16	09159-08059	55-12	09160-12007	44-6
	31-35		55-24		69-8
	32-35		56-12		58-15
	33-28		56-24		59-15
09136-05041	10-37	09159-10L07	57-12	09160-12066	60-15
	11-20		57-24		34-11-1
	12-20		51-19		35-11-1
	28-11		52-23		36-11-1
09139-04004	29-20	09160-04012	53-23	09160-14028	34-11-2
	30-20		54-22		35-11-2
	49-6		33-30		36-11-2
	50-5		87-13		34-11-3
09140-04007	61-11	09159-22006	28-16	09160-05024	34-11-3
	62-11		29-25		35-11-3
	63-11		30-25		36-11-3
	74-51		31-17		34-11-7
09140-05005	88-51	09160-05029	32-17	09160-05024	36-11-7
	89-51		33-11		36-11-2
	90-40		61-10		35-11-4
	51-17		62-10		36-11-4
09140-08023-XC0	52-36	09160-05029	63-10	09160-15030	34-11-5
	53-41		42-3		35-11-5

PART NO.	FIG.NO.-REF.NO.	PART NO.	FIG.NO.-REF.NO.	PART NO.	FIG.NO.-REF.NO.
	36-11-5	09166-17005	34-6		32-18
09160-16053	48-6		35-6		33-12
09160-18042	39-7		36-6	09200-05011	52-28
	40-7	09167-20021	34-7		53-28
	41-7		35-7		54-27
09160-20068	34-23-1		36-7	09202-05021	34-19
	35-23-1	09168-10022	58-8		35-19
	36-23-1		59-8		36-19
09160-20069	34-23-2		60-8	09202-06015	58-10
	35-23-2	09169-18001	4-6		59-10
	36-23-2		5-6		60-10
09160-20070	34-23-3		6-6	09202-06023	55-1
	35-23-3	09180-06105	28-8		56-1
	36-23-3		29-15		57-1
09160-20071	34-23-4		30-15	09204-01002	28-15
	35-23-4	09180-06186	28-9		29-24
	36-23-4		29-16		30-24
09160-20072	34-23-5		30-16		31-19
	35-23-5	09180-06289	61-13		32-19
	36-23-5		62-13		33-13
09160-20073	34-23-6		63-13		52-29
	35-23-6	09180-09024	51-14		53-29
	36-23-6	09181-16008	34-15		54-28
09160-25032	34-3-4		35-15	09204-03003	58-17
	35-3-4		36-15		59-17
	36-3-4	09181-24001	4-10		60-17
09160-25033	34-3-5		5-10	09205-02004	31-30
	35-3-5		6-10		32-30
	36-3-5	09181-25190	34-3-1		33-23
09160-25034	34-3-6		35-3-1	09205-02006	52-34
	35-3-6		36-3-1		53-34
09160-25035	36-3-6	09181-25248	34-3-2		54-33
	34-3-7		35-3-2		73-3
	35-3-7		36-3-2		87-4
	36-3-7	09181-25251	34-3-3	09205-03021	31-31
09160-40005	52-9		35-3-3		32-31
	53-9		36-3-3		33-24
09160-50002	54-8	09181-25268	34-3-8	09205-03038	67-18
	4-16		35-3-8		68-18
	5-16		36-3-8	09205-04002	29-17
	6-16	09181-30158	34-25-2		30-17
09161-04012	61-19		35-25-2	09205-06013	52-4
	62-19		36-25-2		53-4
	63-19	09181-30162	34-25-3		54-4
09162-10005	51-32		35-25-3	09205-06021	51-5
09163-06001	67-20		36-25-3		51-10
	68-20	09200-05006	28-14	09205-10006	61-3
09164-06015	25-21		29-23		62-3
	26-21		30-23		63-3
	27-19		31-18	09209-08016	34-17

PART NO.	FIG.NO.-REF.NO.	PART NO.	FIG.NO.-REF.NO.	PART NO.	FIG.NO.-REF.NO.
	35-17		24-20		44-7
09248-10008	36-17	09280-75002	34-13	09343-03510	1-15
	58-7		35-13		2-15
	59-7		36-13		3-15
	60-7	09280-76005	42-9	09352-50903-600	61-26
09250-06012	33-32		43-11		62-26
	87-14		44-11		63-26
09250-08007	61-24	09282-15L01	4-22	09352-70121-600	61-27
	62-24		5-23	09355-40805-600	22-26
	63-24		6-23		23-26
09250-16008	63-28	09283-30L02	4-21		24-26
09250-21003	62-30		5-22	09355-50108-150	19-18
09250-33001	54-34		6-22	09355-50108-300	19-17
09260-10005	31-20	09283-30L03	4-20		19-19
	32-20		5-21	09359-50823-600	19-16
	33-14		6-21	09367-04005	22-27
09262-30L01	4-18	09284-40001	52-10		23-27
	5-19		53-10		24-27
	6-19		54-9	09381-18002	4-4
09262-30L02	5-18	09289-17004	22-25		5-4
	6-18		23-25		6-4
09263-18L01	4-5		24-25	09383-08004	31-23
	5-5	09289-17L01	22-18		32-23
	6-5		23-18	09385-04003	61-20
09263-20046	58-2		24-18		62-20
	59-2	09289-20L01	34-29		63-20
	60-2		35-29	09401-06406	1-16
09263-20047	34-28		36-29		2-16
	35-28	09289-39L01	4-19		3-16
	36-28		5-20	09401-08410	19-8
09263-24018	4-9		6-20		20-10
09263-24L01	5-9	09306-10001	29-18		21-10
	6-9		30-18	09401-10412	69-20
09265-17002	22-17		31-21		70-22
	22-24		32-21	09404-06435	3-18
	23-17		33-15	09404-08205	81-13
	23-24	09306-22004	52-11		82-6
	24-17		53-11	09404-12201	48-7
	24-24		54-10	09407-10403	80-6
09265-25015	59-3	09319-04001	52-30		81-6
09265-25L01	58-3		53-30	09407-14403	46-4
	60-3		54-29		47-3
09280-08005	31-32	09320-04009	10-36		76-11
	32-32		11-22		77-14
	33-25		12-22	09407-14407	39-14
09280-13005	31-33	09320-10068	61-14		40-14
	32-33		62-14		41-14
	33-26		63-14		83-8
09280-50005	22-20	09320-12011	42-5		84-8
	23-20		43-7	09407-25402	78-8



## **SUZUKI DT25/30 PARTS CATALOGUE**

---

SUZUKI MOTOR CORPORATION All rights reserved

No part of this document may be reproduced or transmitted in any form or by any means, electronic or mechanical, for any purpose, without the express written permission of Suzuki Motor Corporation.

SUZUKI MOTOR CORPORATION

Technical Readiness Group, Automobile Field Quality Assurance Department, Quality Control  
300 Takatsuka, Minami, Hamamatsu, Japan

---

Reprint Prohibited

**SUZUKI MOTOR CORPORATION**