



PARTS CATALOGUE

F350CB-Y12 (6AW6)

F350CB
PARTS CATALOGUE
©2012 by Yamaha Motor Co., Ltd.
1st edition, February 2012
All rights reserved.
Any reprinting or unauthorized use
without the written permission of
Yamaha Motor Co., Ltd.
is expressly prohibited.
Printed in Japan.

FOREWORD

This Parts Catalogue is related to the parts for the model(s) on the cover page. When you are ordering replacement parts, please refer to this Parts Catalogue and quote both part numbers and part names correctly.

1. Modifications or additions which have been made after the issue of the Parts Catalogue will be announced in the Parts News.
It is advisable that you make the necessary corrections to the Parts Catalogue according to the Parts News.

2. Abbreviations

The following abbreviations are used in this Parts Catalogue.

“UR” Use specified parts number.

“UN” Use as many as needed.

“AP” Alternate Parts

“LM” Locally Made (Parts need to be ordered locally)

“F#” Frame No. (Applicable machine No.)

“O/S” Over Size

3. The number of components for assembly

- Parts, which are to be supplied in an assembly, are listed with a dot (.) in front of the part name as shown below.
- The numeral appearing to the right of each component part indicates the quantity of parts for each assembly unit.

PART NO.	DESCRIPTION	Q'TY	REMARKS
2F5-83310-60	FRONT FLASHER LIGHT ASSY	2	
115-83311-60	.BULB (6V-18W)	1	

4. Applicable colours of graphics are represented in the “REMARKS” as shown below.

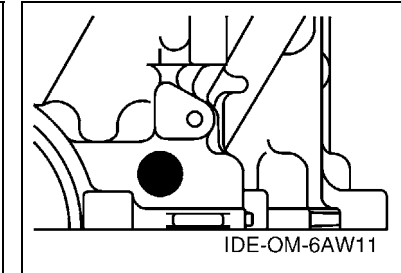
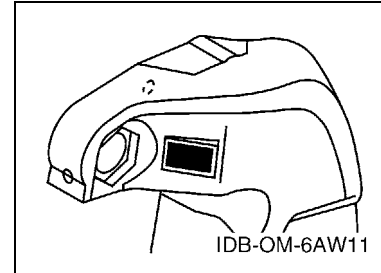
PART NO.	DESCRIPTION	Q'TY	REMARKS
2N4-24110-00-X5	FUEL TANK COMP.	2	MXR
3J1-24240-10	.GRAPHIC, FUEL TANK	1	FOR MXR

5. Note that the illustrations for reference in finding parts numbers are not to be used for assembling. When assembling, please use the applicable service manual.

6. The asterisk (*) before a reference number indicates modified items after the first edition.

7. Applicable Serial No.

Engine Serial No.



8. Applicable Engine Starting Serial No.

Model	Serial No.	Model	Serial No.
F350CB	6AW-1006601		

9. Applicable Colour Code

Abbreviation	Colour Name	Colour Code
DBN1	DARK BLUISH GRAY 1	008D

10. Quantity Column Information

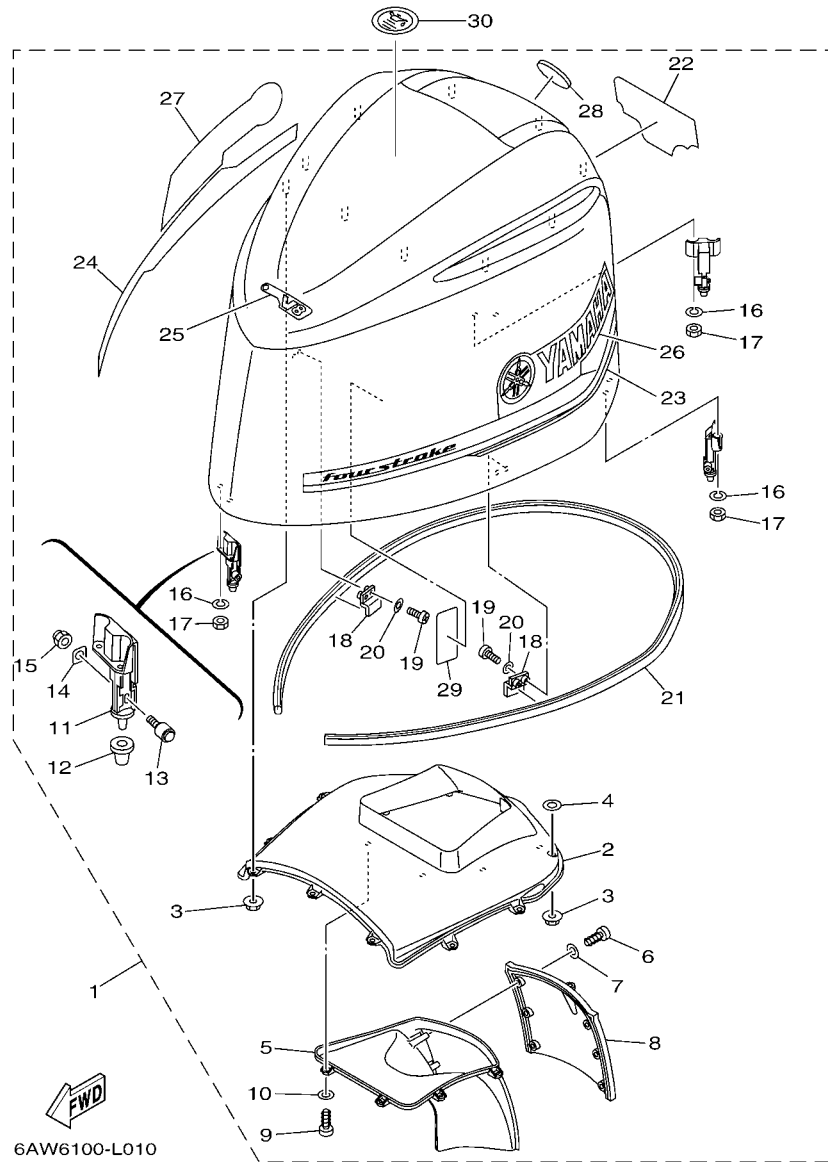
Column No.	Name Of Q'ty Column	Applicable Model
1	XCB	F350XCB
2	UCB	F350UCB

CONTENTS

TOP COWLING	1
CYLINDER & CRANKCASE 1	3
CRANKSHAFT & PISTON	5
CYLINDER & CRANKCASE 2	6
CYLINDER & CRANKCASE 3	8
CYLINDER & CRANKCASE 4	9
VALVE	10
INTAKE 1	13
INTAKE 2	15
INTAKE 3	16
THROTTLE BODY ASSY 1	18
THROTTLE BODY ASSY 2	19
FUEL INJECTION PUMP 1	20
FUEL INJECTION PUMP 2	22
FUEL 1	23
FUEL 2	24
GENERATOR	25
ELECTRICAL 1	26
ELECTRICAL 2	27
ELECTRICAL 3	29
ELECTRICAL 4	30
ELECTRICAL 5	32
STARTING MOTOR	34
BOTTOM COWLING 1	35
BOTTOM COWLING 2	37
BOTTOM COWLING 3	39
CONTROL	40
BRACKET 1	42
BRACKET 2	45
POWER TRIM & TILT ASSY 1	47
POWER TRIM & TILT ASSY 2	50
UPPER CASING	51
OIL PAN	54
LOWER CASING & DRIVE 1	55
LOWER CASING & DRIVE 2	59
OPTIONAL PARTS	61
REPAIR KIT 1	62
REPAIR KIT 2	63

INDEX

NUMERICAL INDEX	65
-----------------------	----



6AW6100-L010

FIG. 1 TOP COWLING

REF. NO.	PART NO.	DESCRIPTION	XCB	UCB		REMARKS
1	6AW-42610-20	TOP COWLING ASSY	1	1		
2	6AW-42613-00	.MOLDING, AIR DUCT	1	1		
3	90179-06M28	.NUT	10	10		
4	6CB-42545-00	.WASHER, PLAIN	3	3		
5	6AW-42635-00	.DUCT, WATER SEPARATOR	1	1		
6	97780-60516	.SCREW, TAPPING	6	6		
7	92995-06200	.WASHER	6	6		
8	6AW-42532-00	.COVER	1	1		
9	97780-60516	.SCREW, TAPPING	7	7		
10	92995-06200	.WASHER	7	7		
11	6AW-42647-00-9S	.HOLDER, CLAMP BAND	3	3		
12	6AW-42663-00	.DAMPER	3	3		
13	6AW-4264A-00	.HOOK ASSY	3	3		
14	6AW-42646-10	.PLATE, CLAMP	3	3		
15	95780-08300	.NUT, FLANGE	3	3		
16	92990-06100	.WASHER, SPRING	6	6		
17	95380-06600	.NUT, HEXAGON	6	6		
18	6AW-42477-00	.PLATE, LOCK	2	2		
19	97885-05010	.SCREW, PAN HEAD	4	4		
20	92995-05600	.WASHER	4	4		
21	6AW-42628-20	.SEAL	1	1		
22	6AW-42678-00	.GRAPHIC, REAR	1	1		
23	6AW-42675-00	.GRAPHIC, SIDE 1	1	1		
24	6AW-42676-00	.GRAPHIC, SIDE 2	1	1		
25	6AW-42677-00	.GRAPHIC, FRONT	1	1		
26	6AW-42681-00	.MARK, COWLING	1	1		
27	6AW-42682-00	.MARK, COWLING	1	1		

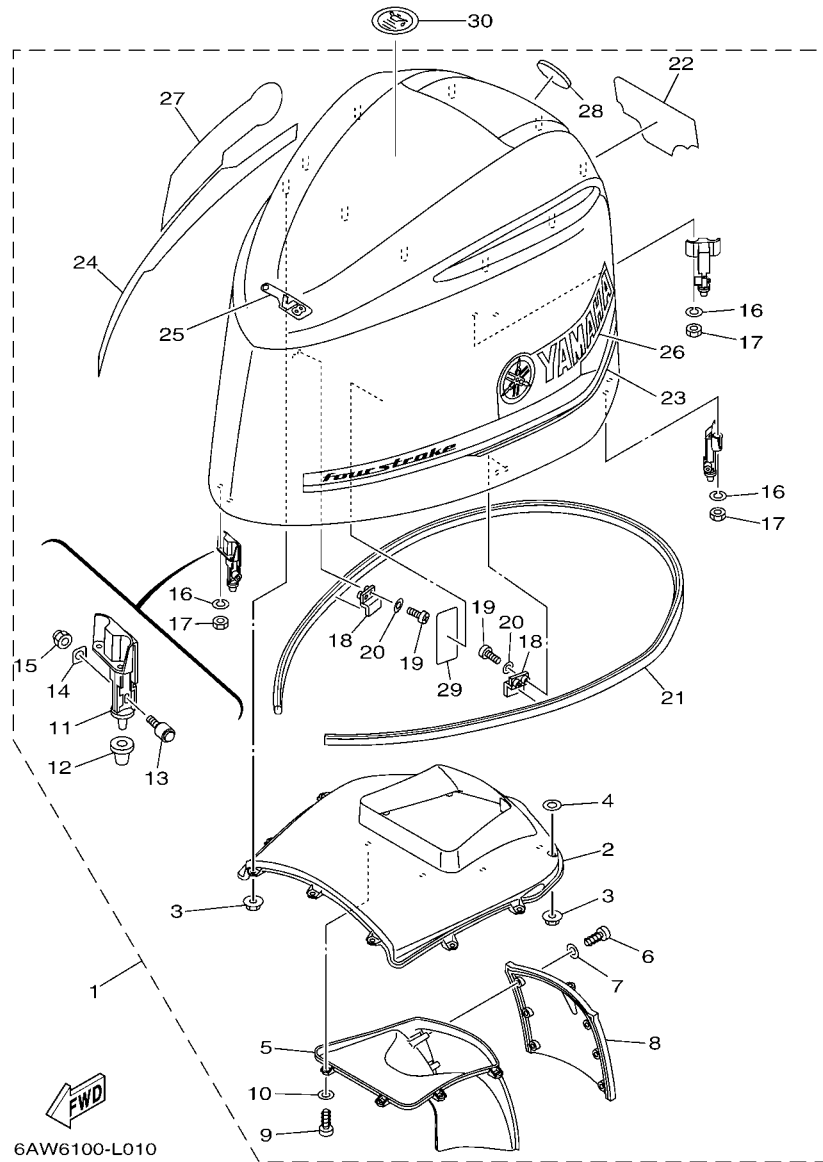


FIG. 1 TOP COWLING

REF. NO.	PART NO.	DESCRIPTION	XCB	UCB		REMARKS
28	6AW-42697-10	.TUNING FORK MARK	1	1		
29	6AH-42735-00	.PROTECTOR	1	1		
30	67F-13434-20	LABEL, CAUTION	1	1		

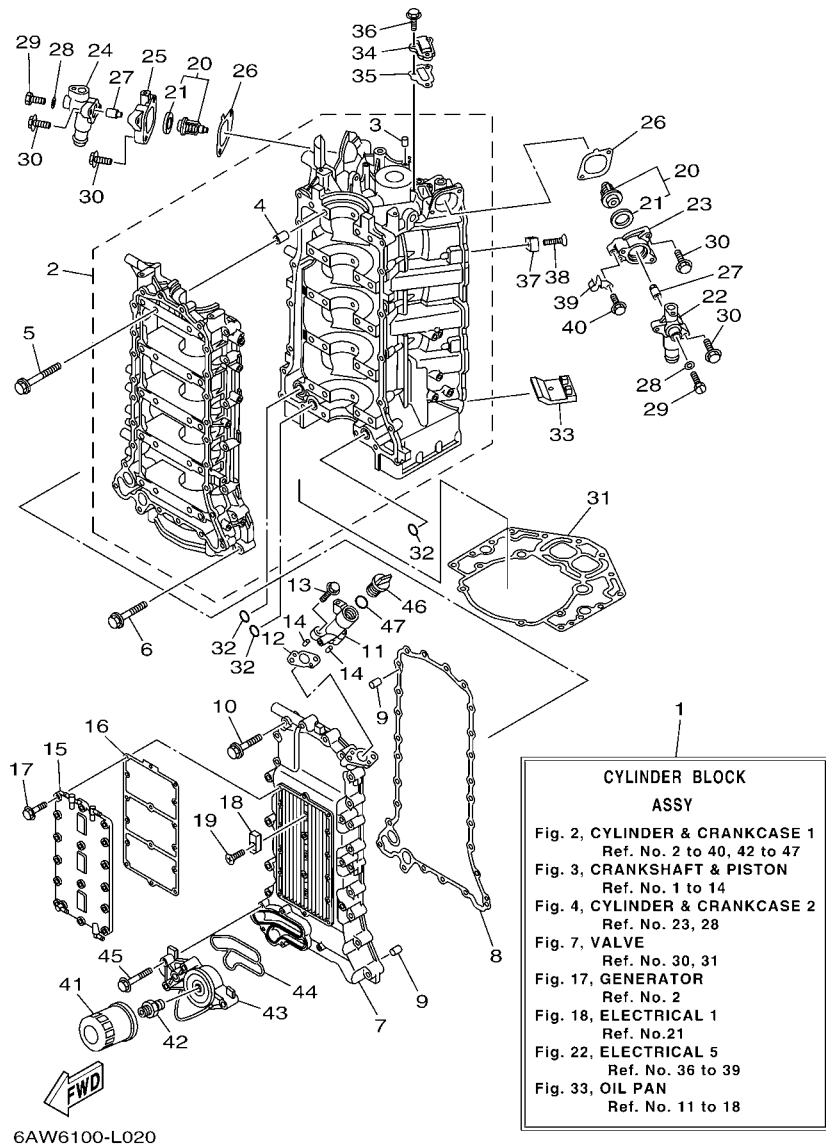


FIG. 2 CYLINDER & CRANKCASE 1

REF. NO.	PART NO.	DESCRIPTION	XCB	UCB	REMARKS
1	6AW-W009B-04-9S	CYLINDER BLOCK ASSY	1	1	
2	6AW-15100-04	CRANKCASE ASSY	1	1	
3	93606-12019	.PIN, DOWEL	3	3	
4	91814-18002	.PIN, DOWEL	10	10	
5	6P2-15187-00	BOLT	20	20	
6	90105-08175	BOLT, FLANGE	18	18	
7	6AW-15411-02-9S	COVER, CRANKCASE 1	1	1	
8	6AW-15451-00	GASKET, CRANKCASE COVER 1	1	1	
9	93606-12019	PIN, DOWEL	2	2	
10	90105-08175	BOLT, FLANGE	26	26	
11	6AW-15319-00-9S	JOINT	1	1	
12	6AW-15364-00	GASKET, OIL PLUG	1	1	
13	90105-06155	BOLT, FLANGE	2	2	
14	93604-08062	PIN, DOWEL	2	2	
15	6AW-15421-00-9S	COVER, CRANKCASE 2	1	1	
16	6AW-15461-00	GASKET, CRANKCASE COVER 2	1	1	
17	90105-06037	BOLT, FLANGE	16	16	
18	63P-11325-01	ANODE	3	3	
19	90151-06M02	SCREW, COUNTERSUNK	3	3	
20	6AW-12411-00	THERMOSTAT	2	2	
21	6AW-12412-00	.SEAL, THERMOSTAT	1	1	
22	6AW-12413-00-9S	COVER, THERMOSTAT	1	1	
23	6AW-12422-00-9S	COVER, HOUSING	1	1	
24	6AW-1241B-00-9S	COVER, THERMOSTAT 2	1	1	
25	6AW-1242B-00-9S	COVER, HOUSING 2	1	1	
26	6AW-12427-00	GASKET, HOUSING COVER 1	2	2	
27	6AW-1132R-00	ANODE 6	2	2	

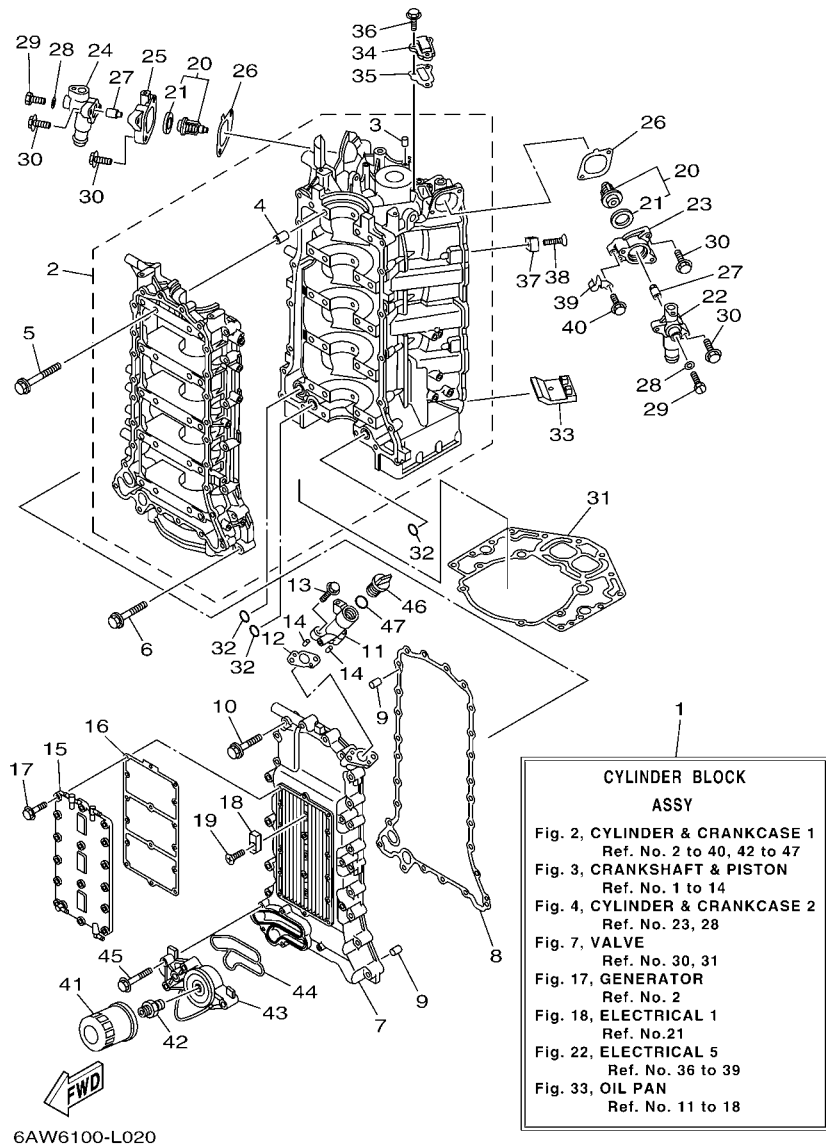
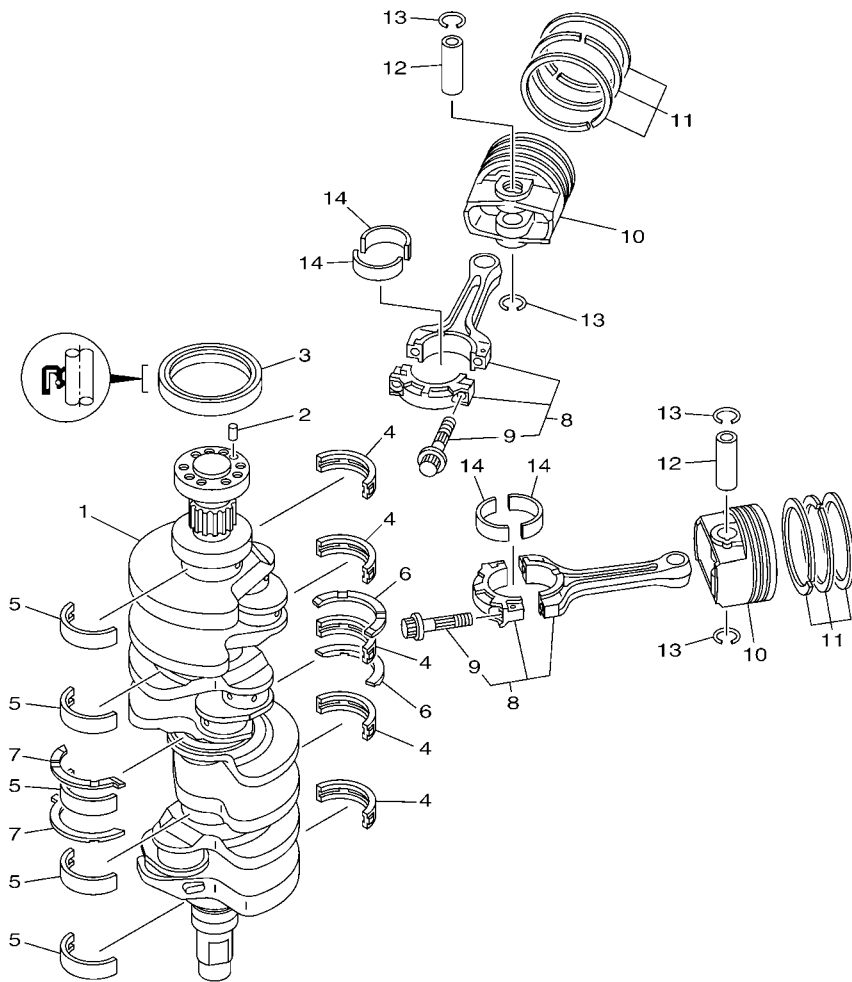


FIG. 2 CYLINDER & CRANKCASE 1

REF. NO.	PART NO.	DESCRIPTION	XCB	UCB	REMARKS
28	90430-05002	GASKET	2	2	
29	90105-05012	BOLT, FLANGE	2	2	
30	90105-06028	BOLT, FLANGE	8	8	
31	6AW-11351-00	GASKET, CYLINDER	1	1	
32	93210-26658	O-RING	3	3	
33	6AW-14664-00	GROMMET, WATER SHUT	2	2	
34	6AW-1131M-00-9S	COVER	1	1	
35	6AW-11381-00	GASKET 1	1	1	
36	90105-06039	BOLT, FLANGE	3	3	
37	6AW-1132P-00	ANODE 5	8	8	
38	98780-06530	SCREW, FLAT HEAD	8	8	
39	90462-12008	CLAMP	1	1	
40	95895-06012	BOLT, FLANGE	1	1	
41	N26-13440-00	ELEMENT ASSY, OIL CLEANER	1	1	
42	90401-19001	BOLT, UNION	1	1	
43	6AW-13446-00-9S	CONNECTOR	1	1	
44	6AW-13477-00	GASKET	1	1	
45	95885-06045	BOLT, FLANGE	5	5	
46	6G8-15363-00	PLUG, OIL	1	1	
47	93210-24M79	O-RING	1	1	



FWD
6AW6100-L030

FIG. 3 CRANKSHAFT & PISTON

REF. NO.	PART NO.	DESCRIPTION	XCB	UCB	REMARKS
1	6AW-11411-10	CRANKSHAFT	1	1	
2	93606-12019	PIN, DOWEL	1	1	
3	93102-85004	OIL SEAL	1	1	
4	6AW-11416-00	PLANE BEARING, CRANKSHAFT 1	5	5	UR YELLOW
	6AW-11416-10	PLANE BEARING, CRANKSHAFT 1	5	5	UR GREEN
	6AW-11416-20	PLANE BEARING, CRANKSHAFT 1	5	5	UR BROWN
	6AW-11416-30	PLANE BEARING, CRANKSHAFT 1	5	5	UR BLACK
	6AW-11416-40	PLANE BEARING, CRANKSHAFT 1	5	5	UR BLUE
5	6AW-11417-00	PLANE BEARING, CRANKSHAFT 2	5	5	UR YELLOW
	6AW-11417-10	PLANE BEARING, CRANKSHAFT 2	5	5	UR GREEN
	6AW-11417-20	PLANE BEARING, CRANKSHAFT 2	5	5	UR BROWN
	6AW-11417-30	PLANE BEARING, CRANKSHAFT 2	5	5	UR BLACK
	6AW-11417-40	PLANE BEARING, CRANKSHAFT 2	5	5	UR BLUE
6	6AW-11426-00	BEARING, THRUST 1	2	2	
7	6AW-11427-00	BEARING, THRUST 2	2	2	
8	6AW-W1165-00	CONNECTING ROD ASSY	8	8	
9	63P-11654-10	.BOLT, CONNECTING ROD	2	2	
10	6AW-11631-10-93	PISTON (STD)	8	8	
11	6AW-11603-00	PISTON RING SET (STD)	8	8	
12	63P-11633-10	PIN, PISTON	8	8	
13	63P-11634-00	CLIP, PISTON PIN	16	16	
14	6AW-11656-00	PLANE BEARING, CONNECTING ROD	16	16	UR GREEN
	6AW-11656-10	PLANE BEARING, CONNECTING ROD	16	16	UR BLUE
	6AW-11656-20	PLANE BEARING, CONNECTING ROD	16	16	UR RED
	6AW-11656-30	PLANE BEARING, CONNECTING ROD	16	16	UR PURPLE

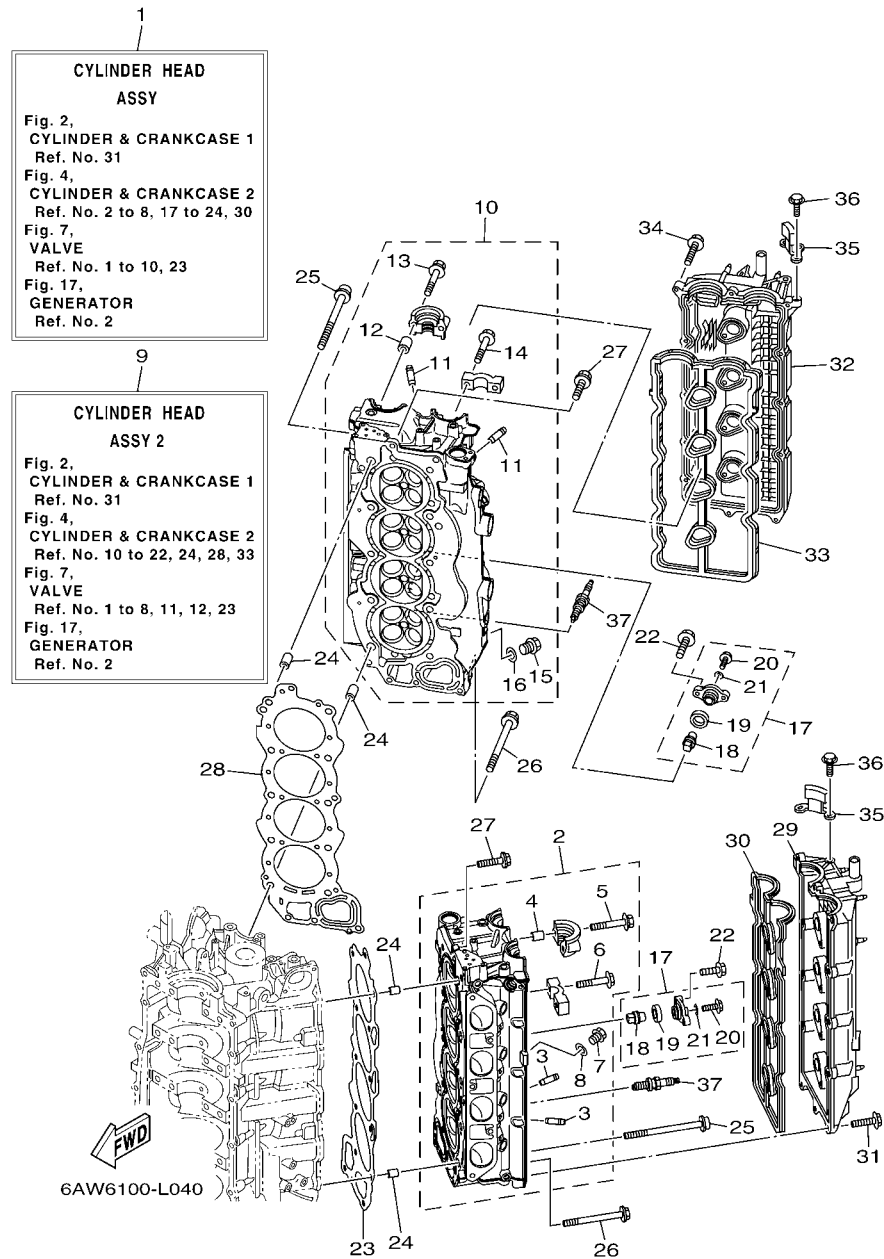


FIG. 4 CYLINDER & CRANKCASE 2

REF. NO.	PART NO.	DESCRIPTION	XCB	UCB	REMARKS
1	6AW-W009A-01-9S	CYLINDER HEAD ASSY	1	1	
2	6AW-11110-10	CYLINDER HEAD ASSY	1	1	
3	6S5-11133-10	.GUIDE, VALVE 1	16	16	
4	91809-08006	.PIN, DOWEL	4	4	
5	90119-07001	.BOLT, WITH WASHER	4	4	
6	90119-07234	.BOLT, WITH WASHER	16	16	
7	90340-18M09	.PLUG, STRAIGHT SCREW	1	1	
8	90430-18130	.GASKET	1	1	
9	6AW-W009C-01-9S	CYLINDER HEAD ASSY 2	1	1	
10	6AW-11120-10	CYLINDER HEAD ASSY 2	1	1	
11	6S5-11133-10	.GUIDE, VALVE 1	16	16	
12	91809-08006	.PIN, DOWEL	4	4	
13	90119-07001	.BOLT, WITH WASHER	4	4	
14	90119-07234	.BOLT, WITH WASHER	16	16	
15	90340-18M09	.PLUG, STRAIGHT SCREW	1	1	
16	90430-18130	.GASKET	1	1	
17	67F-11301-00	ANODE COVER ASSY	10	10	
18	67F-11325-01	.ANODE	1	1	
19	67F-11328-00	.GROMMET, ANODE	1	1	
20	90105-06M07	.BOLT, FLANGE	1	1	
21	90430-06M03	.GASKET	1	1	
22	95885-08025	BOLT, FLANGE	20	20	
23	6AW-11181-00	GASKET, CYLINDER HEAD 1	1	1	
24	90387-11005	COLLAR	4	4	
25	90155-11002	SCREW, FLAT FILLISTER	20	20	
26	90105-08220	BOLT, FLANGE	6	6	
27	90119-08115	BOLT, WITH WASHER	2	2	

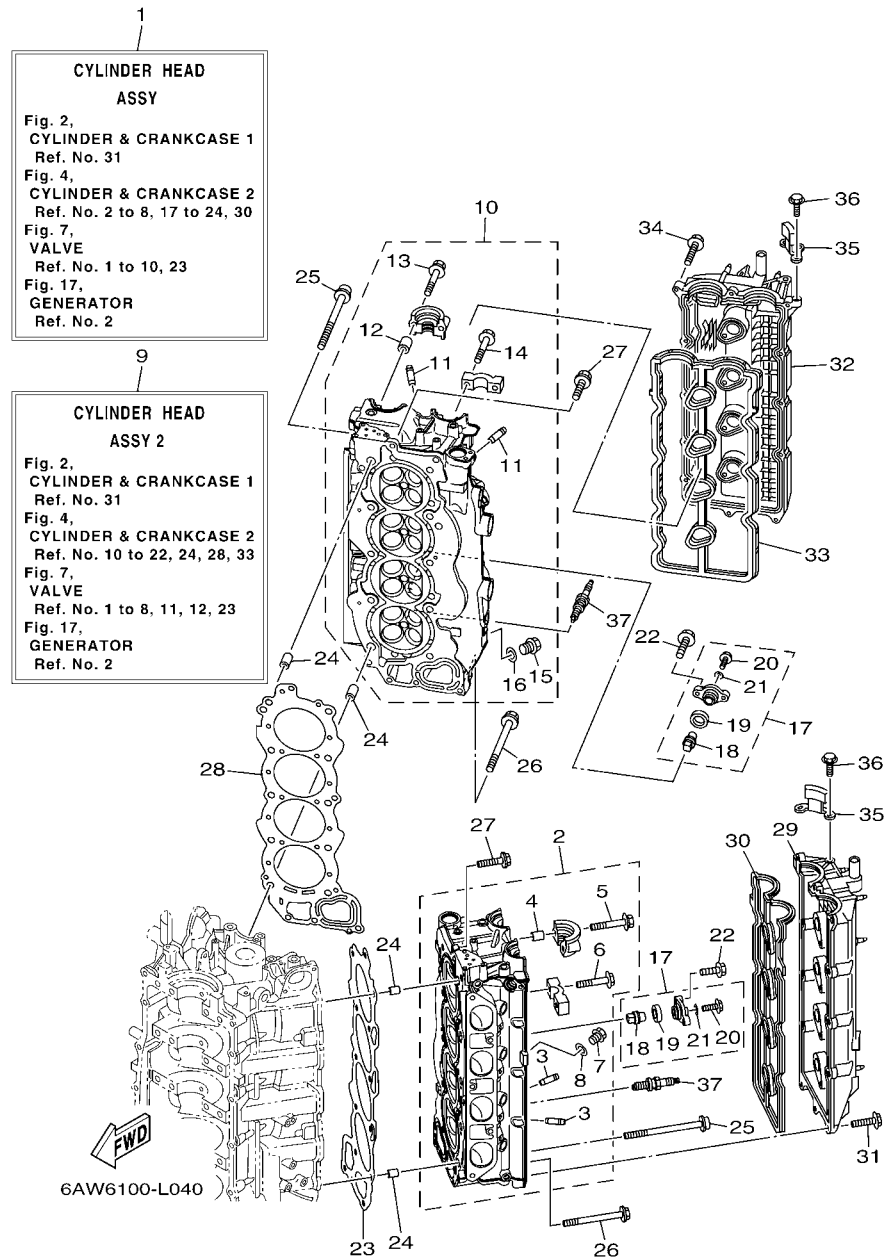
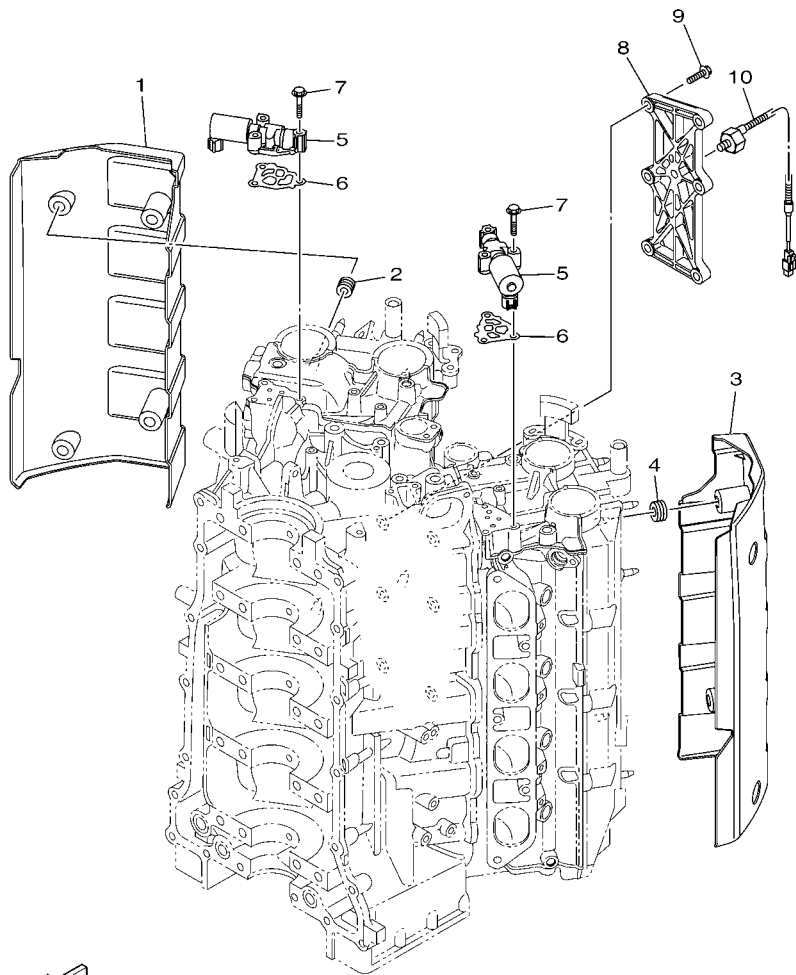


FIG. 4 CYLINDER & CRANKCASE 2

REF. NO.	PART NO.	DESCRIPTION	XCB	UCB	REMARKS
28	6AW-11182-00	GASKET, CYLINDER HEAD 2	1	1	
29	6AW-11191-10	COVER, CYLINDER HEAD 1	1	1	
30	6AW-11193-10	GASKET, HEAD COVER 1	1	1	
31	95895-06030	BOLT, FLANGE	16	16	
32	6AW-11192-10	COVER, CYLINDER HEAD 2	1	1	
33	6AW-11194-10	GASKET, HEAD COVER 2	1	1	
34	95895-06030	BOLT, FLANGE	16	16	
35	6AW-15142-00	GUIDE 1	2	2	
36	95885-06014	BOLT, FLANGE	4	4	
37	94702-00400	PLUG, SPARK (NGK LFR6A-11)	8	8	

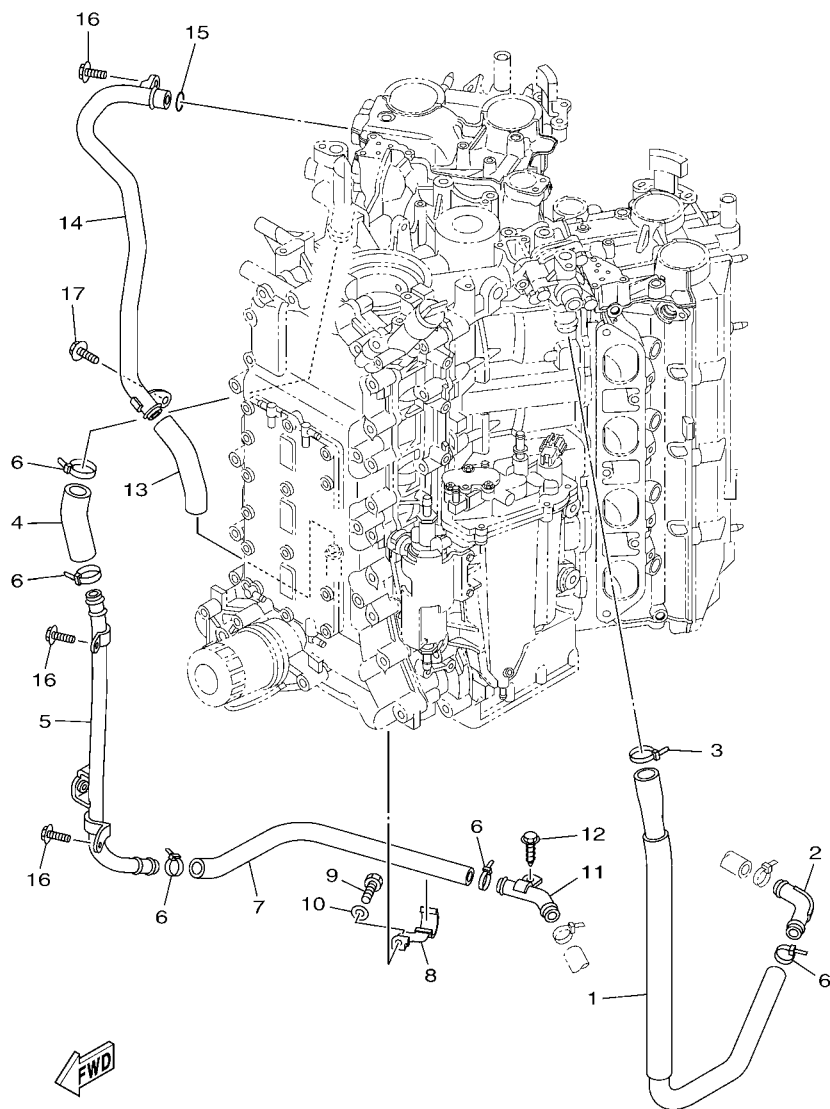



6AW6100-L050

FIG. 5 CYLINDER & CRANKCASE 3

REF. NO.	PART NO.	DESCRIPTION	XCB	UCB				REMARKS
1	6AW-11186-10	COVER, CYLINDER HEAD SIDE 2	1	1				
2	90480-12314	GROMMET	4	4				
3	6AW-11187-10	COVER, CYLINDER HEAD SIDE 3	1	1				
4	90480-12314	GROMMET	4	4				
5	6CB-86120-00	SOLENOID VALVE ASSY	2	2				
6	6CB-1242F-00	GASKET, FILTER	2	2				
7	90105-06035	BOLT, FLANGE	6	6				
8	6AW-1135A-00	BRACKET	1	1				
9	90105-08240	BOLT, FLANGE	6	6				
10	6P2-85780-00	SENSOR, KNOCK	1	1				

FIG. 6 CYLINDER & CRANKCASE 4



REF. NO.	PART NO.	DESCRIPTION	XCB	UCB		REMARKS
1	6AW-1243A-00	HOSE 1	1	1		
2	6AW-12477-00	PIPE 7	1	1		
3	90465-11M59	CLAMP	1	1		
4	6AW-1243E-00	HOSE 2	1	1		
5	6AW-12484-00	PIPE 4	1	1		
6	90465-11M59	CLAMP	5	5		
7	6AW-1244G-00	HOSE, 4	1	1		
8	6AW-12491-10	CLAMP 1	1	1		
9	97095-06014	BOLT	1	1		
10	92995-06600	WASHER	1	1		
11	6AW-12476-00	PIPE 6	1	1		
12	90109-06M86	BOLT	1	1		
13	6AW-1244J-00	HOSE 6	1	1		
14	6AW-11378-00	HOSE 2	1	1		
15	93210-207A0	O-RING	1	1		
16	95885-06014	BOLT, FLANGE	3	3		
17	95885-06010	BOLT, FLANGE	1	1		

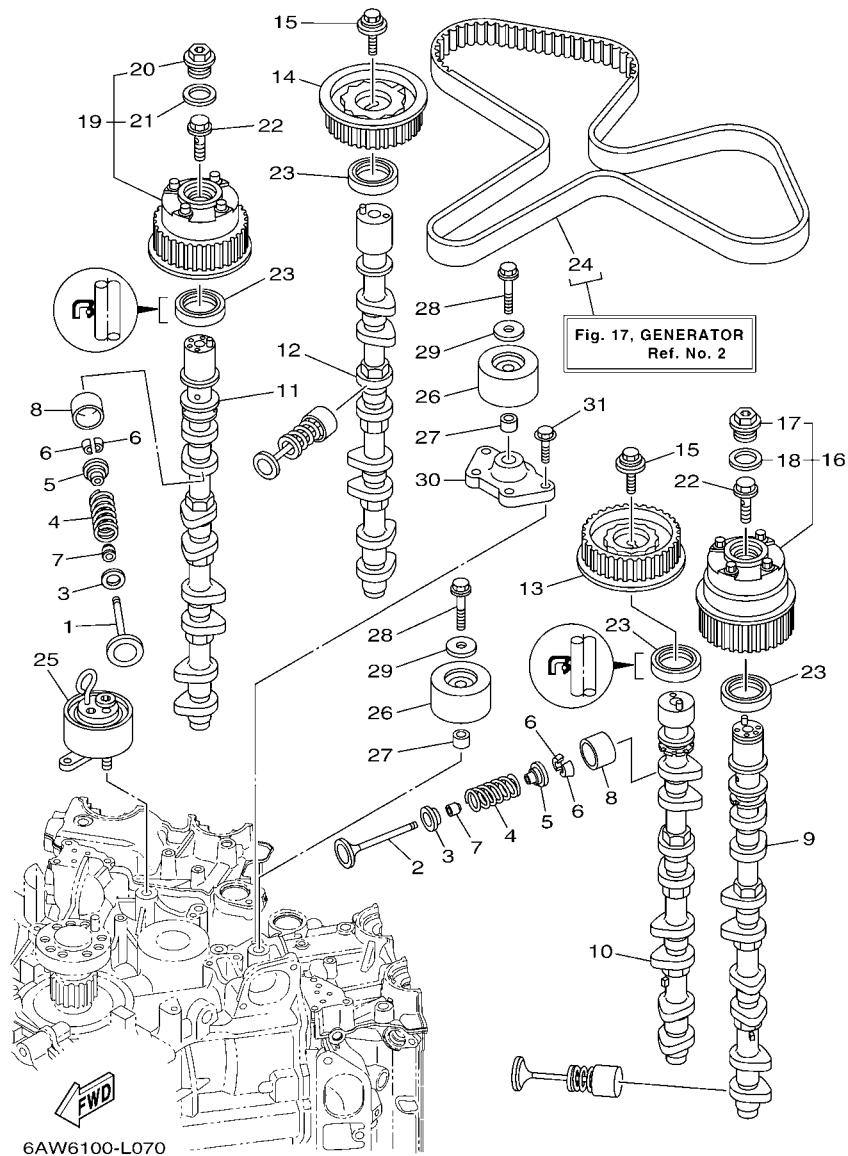


FIG. 7 VALVE

REF. NO.	PART NO.	DESCRIPTION	XCB	UCB	REMARKS
1	6CB-12111-00	VALVE, INTAKE	16	16	
2	6CB-12121-00	VALVE, EXHAUST	16	16	
3	K0F-A3743-00	SEAT, VALVE SPRING	32	32	
4	6CB-12113-00	SPRING, VALVE INNER	32	32	
5	K0F-A3741-00	RETAINER, VALVE SPRING	32	32	
6	K0F-A3742-00	LOCK, VALVE SPRING RETAINER	64	64	
7	51Y-12119-00	SEAL, VALVE STEM	32	32	
8	K0F-A3751-00	LIFTER, VALVE (3.000)	32	32	UR
	K0F-A3751-10	LIFTER, VALVE (3.025)	32	32	UR
	K0F-A3751-20	LIFTER, VALVE (3.050)	32	32	UR
	K0F-A3751-30	LIFTER, VALVE (3.075)	32	32	UR
	K0F-A3751-40	LIFTER, VALVE (3.100)	32	32	UR
	K0F-A3751-50	LIFTER, VALVE (3.122)	32	32	UR
	K0F-A3751-60	LIFTER, VALVE (3.142)	32	32	UR
	K0F-A3751-70	LIFTER, VALVE (3.162)	32	32	UR
	K0F-A3751-80	LIFTER, VALVE (3.182)	32	32	UR
	K0F-A3751-90	LIFTER, VALVE (3.202)	32	32	UR
	K0F-A3751-A0	LIFTER, VALVE (3.222)	32	32	UR
	K0F-A3751-B0	LIFTER, VALVE (3.242)	32	32	UR
	K0F-A3751-C0	LIFTER, VALVE (3.262)	32	32	UR
	K0F-A3751-D0	LIFTER, VALVE (3.282)	32	32	UR
	K0F-A3751-E0	LIFTER, VALVE (3.302)	32	32	UR
	K0F-A3751-F0	LIFTER, VALVE (3.322)	32	32	UR
	K0F-A3751-G0	LIFTER, VALVE (3.342)	32	32	UR
	K0F-A3751-H0	LIFTER, VALVE (3.362)	32	32	UR
	K0F-A3751-J0	LIFTER, VALVE (3.382)	32	32	UR
	K0F-A3751-K0	LIFTER, VALVE (3.402)	32	32	UR

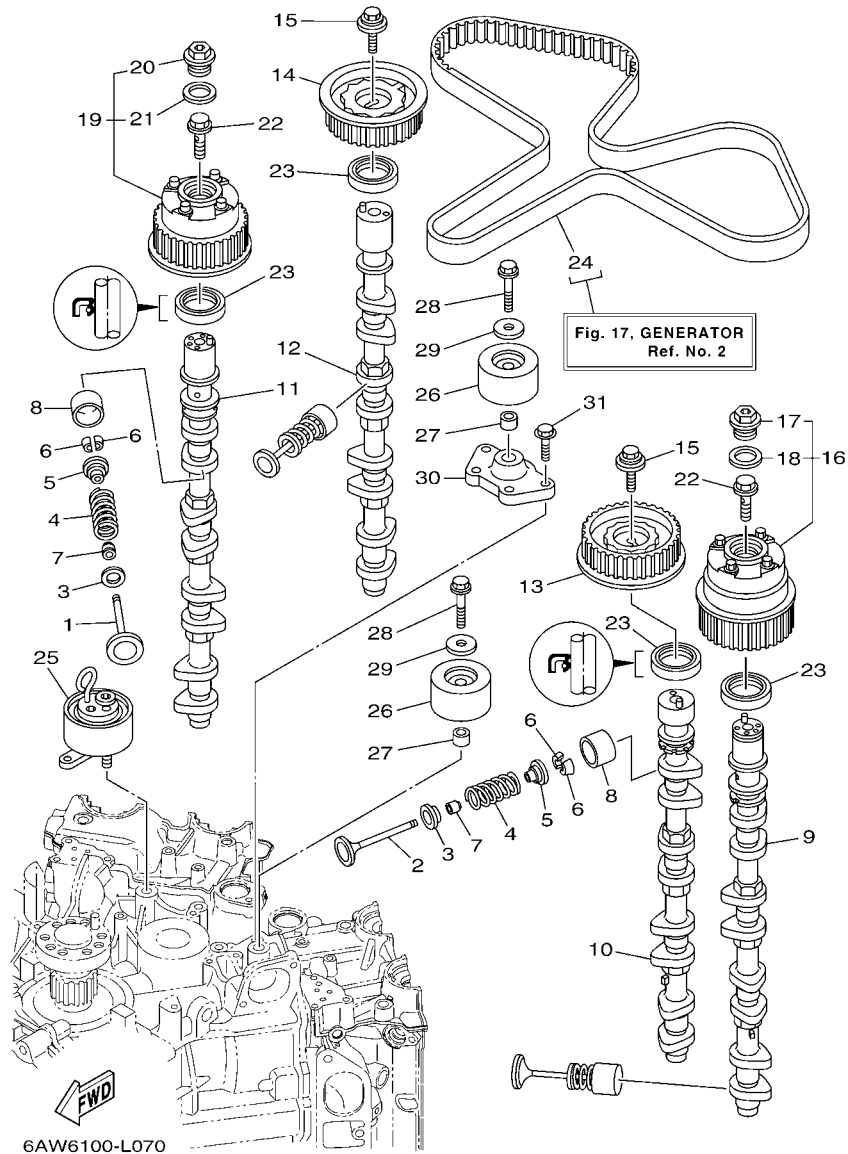


FIG. 7 VALVE

REF. NO.	PART NO.	DESCRIPTION	XCB	UCB		REMARKS
8	K0F-A3751-L0	LIFTER, VALVE (3.422)	32	32		UR
	K0F-A3751-M0	LIFTER, VALVE (3.442)	32	32		UR
	K0F-A3751-N0	LIFTER, VALVE (3.462)	32	32		UR
	K0F-A3751-P0	LIFTER, VALVE (3.482)	32	32		UR
	K0F-A3751-R0	LIFTER, VALVE (3.502)	32	32		UR
	K0F-A3751-S0	LIFTER, VALVE (3.522)	32	32		UR
	K0F-A3751-T0	LIFTER, VALVE (3.542)	32	32		UR
	K0F-A3753-00	LIFTER, VALVE (3.562)	32	32		UR
	K0F-A3753-10	LIFTER, VALVE (3.582)	32	32		UR
	K0F-A3753-20	LIFTER, VALVE (3.602)	32	32		UR
	K0F-A3753-30	LIFTER, VALVE (3.625)	32	32		UR
	K0F-A3753-40	LIFTER, VALVE (3.650)	32	32		UR
	K0F-A3753-50	LIFTER, VALVE (3.675)	32	32		UR
	K0F-A3753-60	LIFTER, VALVE (3.700)	32	32		UR
	K0F-A3753-70	LIFTER, VALVE (3.725)	32	32		UR
9	6AW-12171-10	CAMSHAFT 1	1	1		
10	6AW-12181-10	CAMSHAFT 2	1	1		
11	6AW-12172-10	CAMSHAFT 3	1	1		
12	6AW-12182-10	CAMSHAFT 4	1	1		
13	6AW-11537-00	GEAR, DRIVEN	1	1		
14	6AW-11567-00	GEAR, DRIVEN 2	1	1		
15	90119-10050	BOLT, WITH WASHER	2	2		
16	6AW-12645-00	PULLEY ASSY 1	1	1		
17	6P2-12623-00	.BOLT	1	1		
18	6P2-12663-00	.GASKET	1	1		
19	6AW-1264A-00	PULLEY ASSY 2	1	1		
20	6P2-12623-00	.BOLT	1	1		

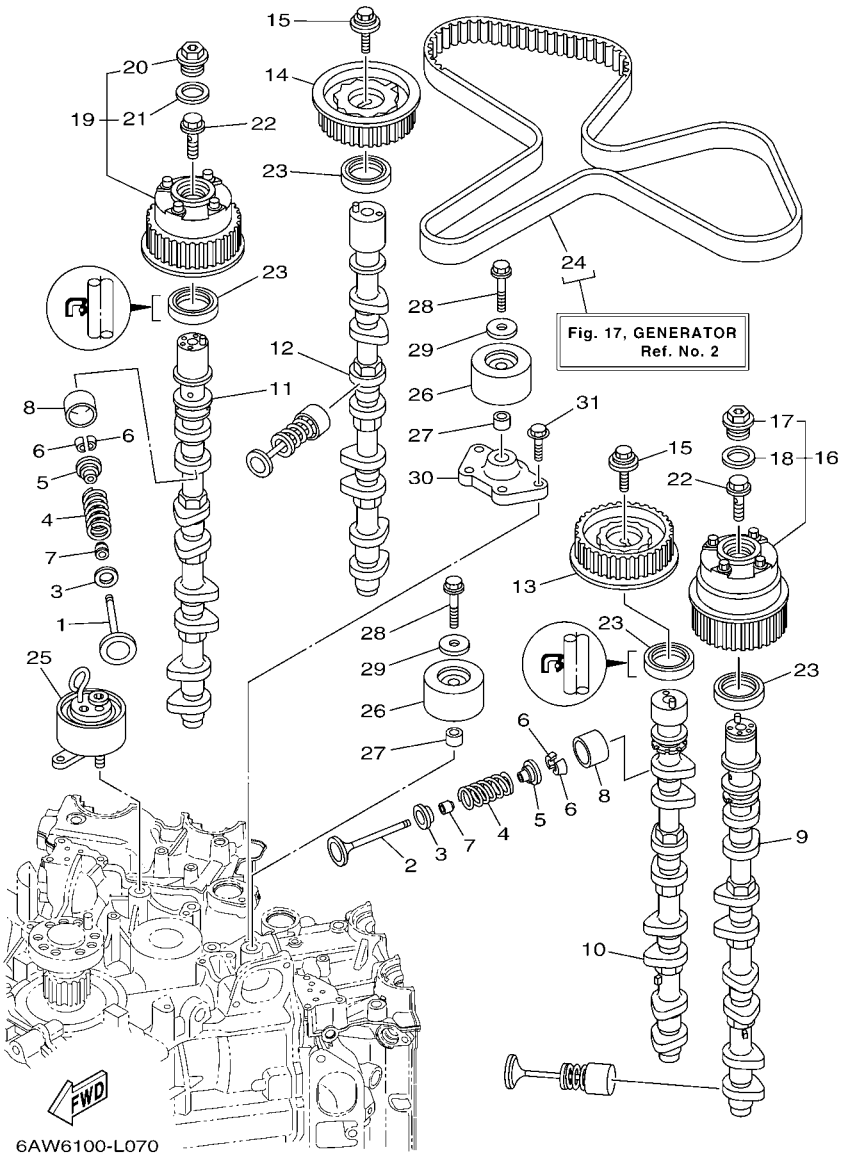
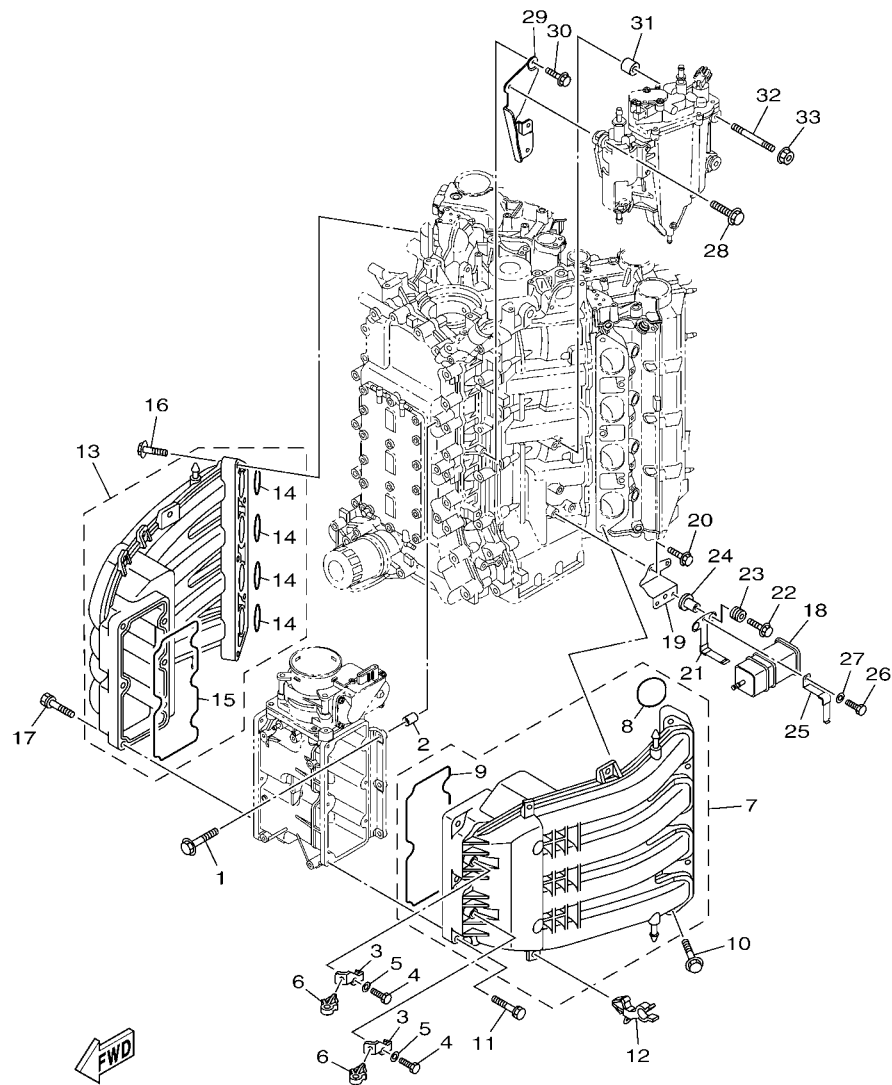


FIG. 7 VALVE

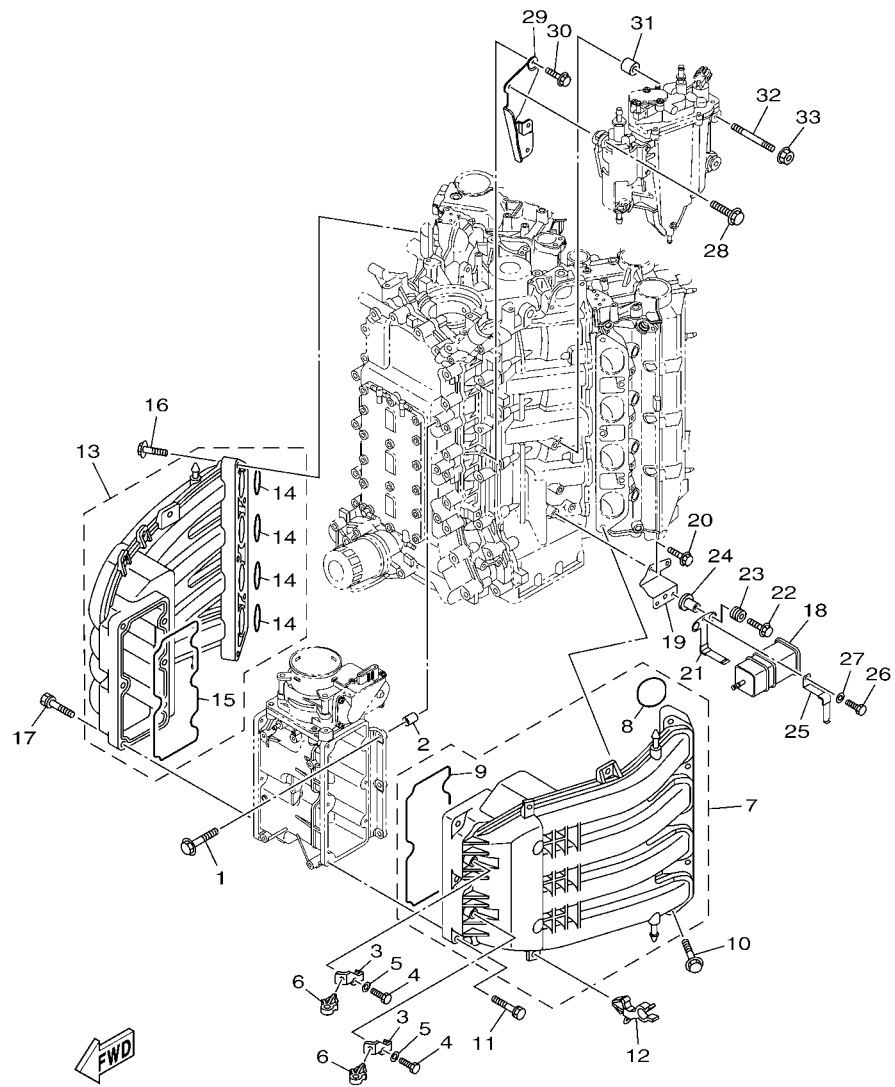
REF. NO.	PART NO.	DESCRIPTION	XCB	UCB	REMARKS
21	6P2-12663-00	.GASKET	1	1	
22	6P2-12615-00	BOLT	2	2	
23	93102-38008	OIL SEAL	4	4	
24	6AW-W4624-00	BELT (WITH ROTOR BOLTS)	1	1	
25	6P2-11590-01	TENSIONER ASSY	1	1	
26	6P2-15512-00	GEAR, IDLER 1	2	2	
27	99530-14016	PIN, DOWEL	2	2	
28	90119-10M07	BOLT, WITH WASHER	2	2	
29	90201-10M01	WASHER, PLATE	2	2	
30	6AW-15544-00	STAY 1	1	1	
31	90105-08178	BOLT, FLANGE	4	4	



6AW6100-L080

FIG. 8 INTAKE 1

REF. NO.	PART NO.	DESCRIPTION	XCB	UCB		REMARKS
1	95875-08035	BOLT, FLANGE	6	6		
2	99530-10114	PIN, DOWEL	2	2		
3	6AW-13782-00	STAY	2	2		
4	97095-06012	BOLT	2	2		
5	92995-06600	WASHER	2	2		
6	90464-09023	CLAMP	2	2		
7	6AW-13641-10	MANIFOLD, INTAKE 1	1	1		
8	6AW-13645-00	.GASKET, MANIFOLD 1	4	4		
9	6AW-13646-00	.GASKET, MANIFOLD 2	1	1		
10	90119-08022	BOLT, WITH WASHER	5	5		
11	90119-06MA6	BOLT, WITH WASHER	5	5		
12	90464-17006	CLAMP	2	2		
13	6AW-13641-10	MANIFOLD, INTAKE 1	1	1		
14	6AW-13645-00	.GASKET, MANIFOLD 1	4	4		
15	6AW-13646-00	.GASKET, MANIFOLD 2	1	1		
16	90119-08022	BOLT, WITH WASHER	5	5		
17	90119-06MA6	BOLT, WITH WASHER	5	5		
18	6P2-24170-00	CANISTER ASSY	1	1		
19	6AW-2134X-10	BRACKET, CANISTER	1	1		
20	95875-06016	BOLT, FLANGE	2	2		
21	69J-2134X-00	BRACKET, CANISTER	1	1		
22	90119-06M17	BOLT, WITH WASHER	2	2		
23	90480-10M23	GROMMET	2	2		
24	90387-06M60	COLLAR	2	2		
25	69J-2419A-01	HOLDER	1	1		
26	97095-06016	BOLT	1	1		
27	92995-06600	WASHER	1	1		



6AW6100-L080

FIG. 8 INTAKE 1

REF. NO.	PART NO.	DESCRIPTION	XCB	UCB		REMARKS
28	90119-06M24	BOLT, WITH WASHER	2	2		
29	6AW-24419-00	BRKT., SEPARATOR	1	1		
30	95875-06016	BOLT, FLANGE	2	2		
31	90387-06276	COLLAR	2	2		
32	90116-06046	BOLT, STUD	2	2		
33	90179-06M28	NUT	2	2		

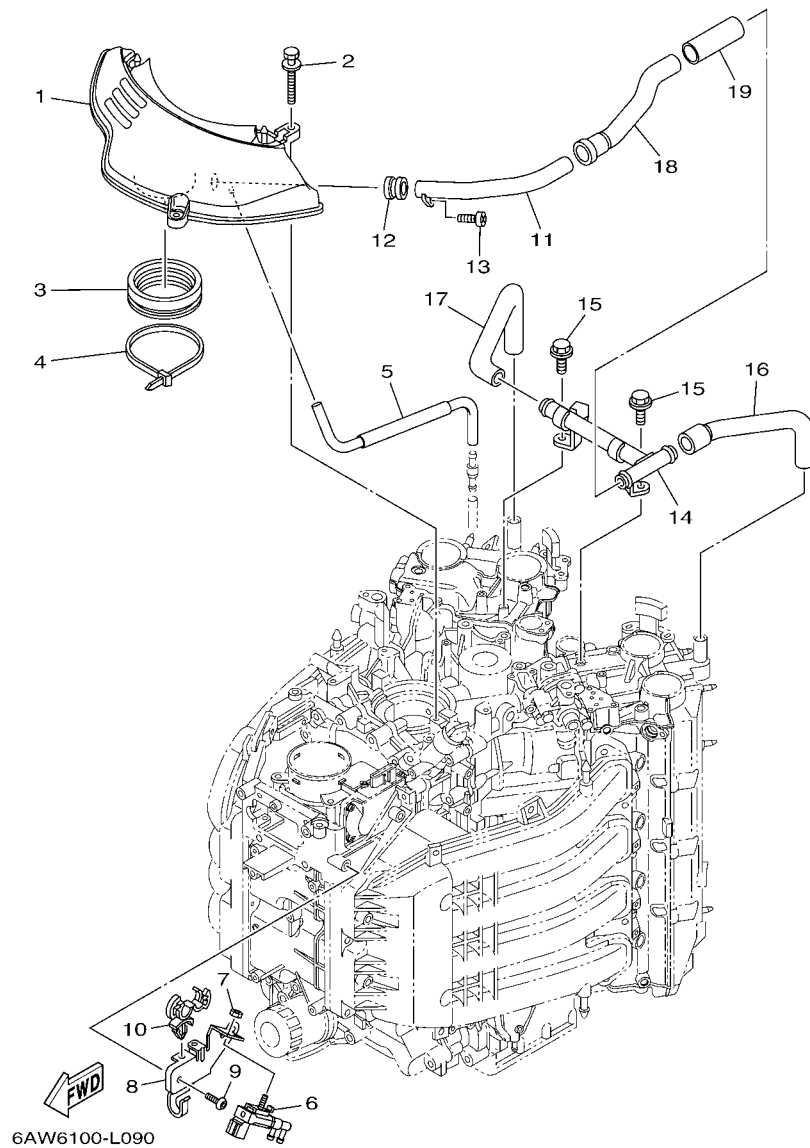
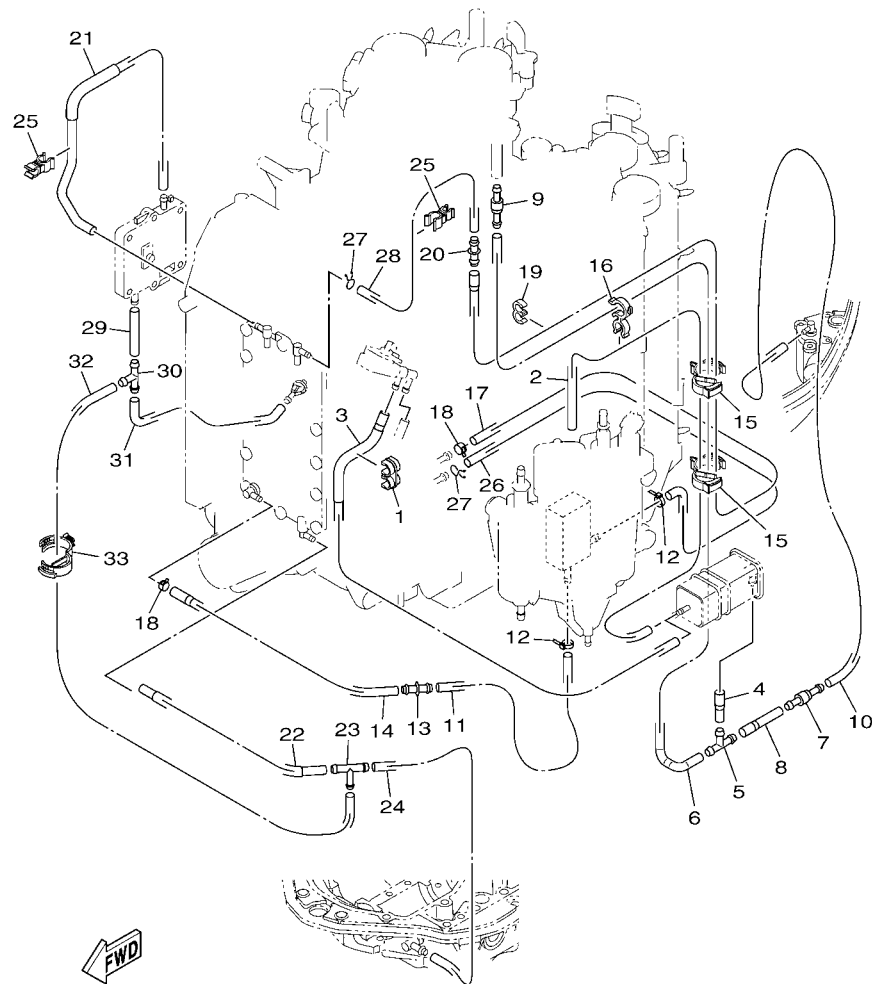


FIG. 9 INTAKE 2

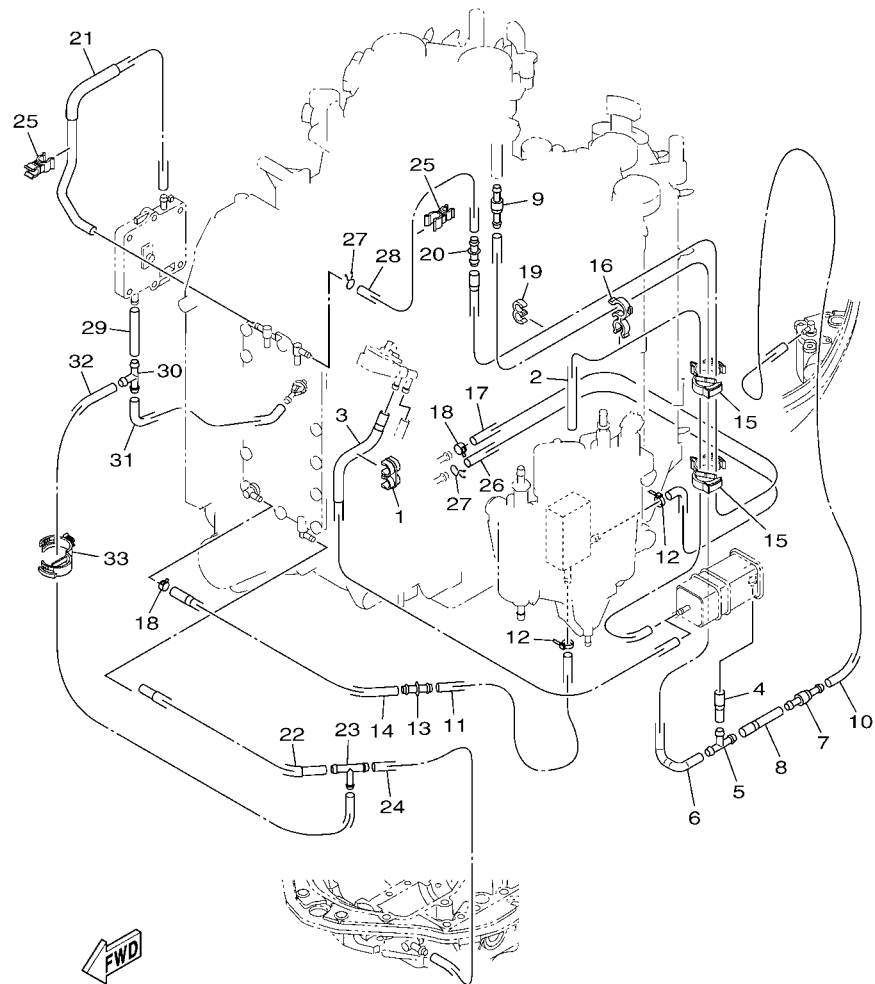
REF. NO.	PART NO.	DESCRIPTION	XCB	UCB		REMARKS
1	6AW-14440-00	SILENCER ASSY, INTAKE	1	1		
2	90119-06M35	BOLT, WITH WASHER	3	3		
3	6AW-1441J-00	PIPE, SILENCER	1	1		
4	90464-99004	CLAMP	1	1		
5	6AW-14419-00	PIPE	1	1		
6	6C5-86120-00	SOLENOID VALVE ASSY	1	1		
7	95380-06600	NUT, HEXAGON	1	1		
8	6AW-8611A-00	HOLDER SOLENOID	1	1		
9	90111-06111	BOLT, HEX. SOCKET BUTTON	2	2		
10	90464-18246	CLAMP	1	1		
11	6AW-15373-00	PIPE, BREATHER	1	1		
12	6AW-14445-00	GROMMET	1	1		
13	97780-60620	SCREW, TAPPING	1	1		
14	6AW-15393-00	PIPE, BREATHER 2	1	1		
15	97575-06514	BOLT, WITH WASHER	2	2		
16	6AW-1531A-00	HOSE, BREATHER 1	1	1		
17	6AW-1531A-10	HOSE, BREATHER 1	1	1		
18	6AW-1532A-00	HOSE, BREATHER 2	1	1		
19	90446-32002	HOSE (L90)	1	1		



6AW6100-L100

FIG. 10 INTAKE 3

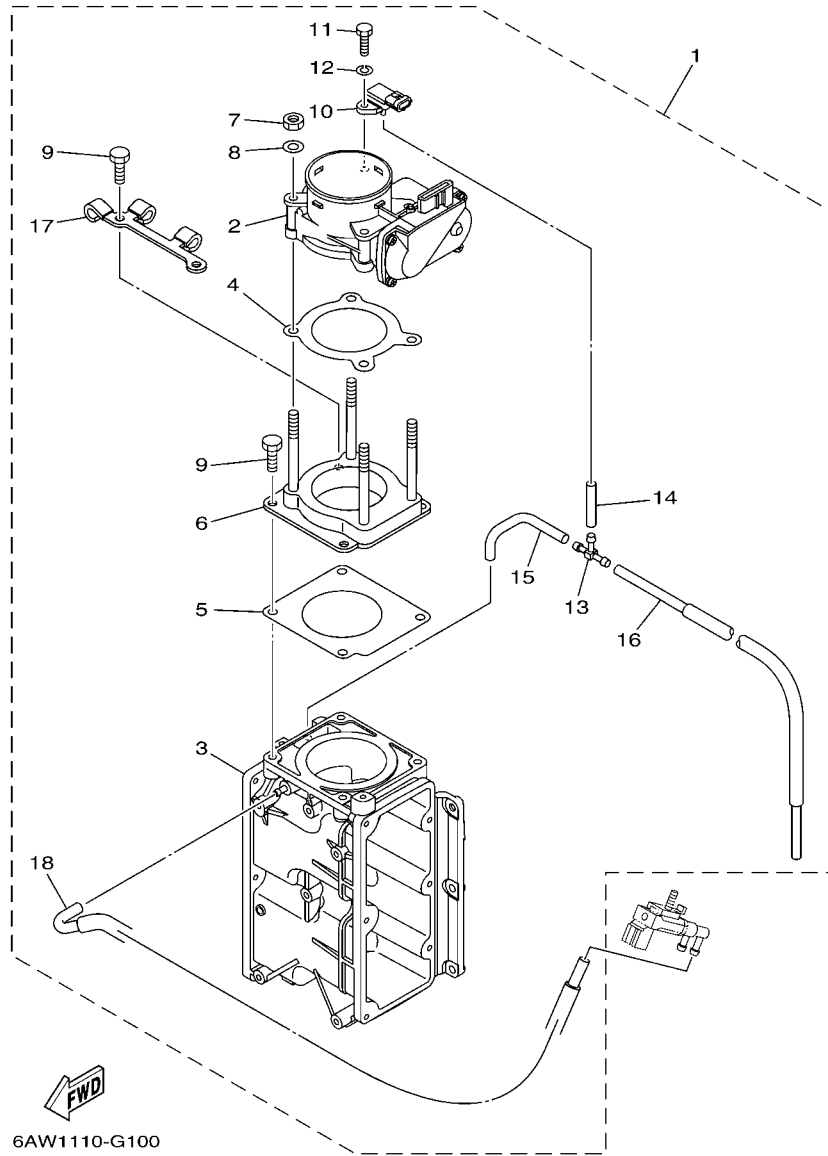
REF. NO.	PART NO.	DESCRIPTION	XCB	UCB		REMARKS
1	90464-12224	CLAMP	1	1		
2	6AW-1475A-10	PIPE 1	1	1		
3	6AW-24312-10	PIPE 2	1	1		
4	6AW-13545-10	HOSE 1	1	1		
5	688-24378-00	PIPE, JOINT 3	1	1		
6	6AW-13548-10	HOSE, AIR 4	1	1		
7	6E5-21744-00	BREATHER	1	1		
8	6CB-13548-00	HOSE, AIR 4	1	1		
9	6E5-21744-00	BREATHER	1	1		
10	6AW-13547-10	HOSE 3	1	1		
11	90445-09104	HOSE (L300)	1	1		
12	90465-11M10	CLAMP	2	2		
13	6CE-24376-00	PIPE, JOINT 1	1	1		
14	6AW-12589-00	HOSE 6	1	1		
15	90464-32002	CLAMP	2	2		
16	90464-09M42	CLAMP	1	1		
17	6AW-12576-20	HOSE 1	1	1		
18	90467-11136	CLIP	2	2		
19	90464-60067	CLAMP	1	1		
20	6CE-24376-00	PIPE, JOINT 1	1	1		
21	6AW-12577-00	HOSE 2	1	1		
22	6AW-12578-00	HOSE 3	1	1		
23	68F-14485-00	PIPE, JOINT	1	1		
24	6AW-12579-10	HOSE 4	1	1		
25	90464-10010	CLAMP	2	2		
26	90445-09120	HOSE (L600)	1	1		
27	90467-08M10	CLIP	2	2		



6AW6100-L100

FIG. 10 INTAKE 3

REF. NO.	PART NO.	DESCRIPTION	XCB	UCB		REMARKS
28	6AW-12483-00	PIPE 3	1	1		
29	90445-09026	HOSE (L68)	1	1		
30	688-24378-00	PIPE, JOINT 3	1	1		
31	6AW-12482-10	PIPE 2	1	1		
32	6AW-12588-00	HOSE 5	1	1		
33	90464-30003	CLAMP	1	1		

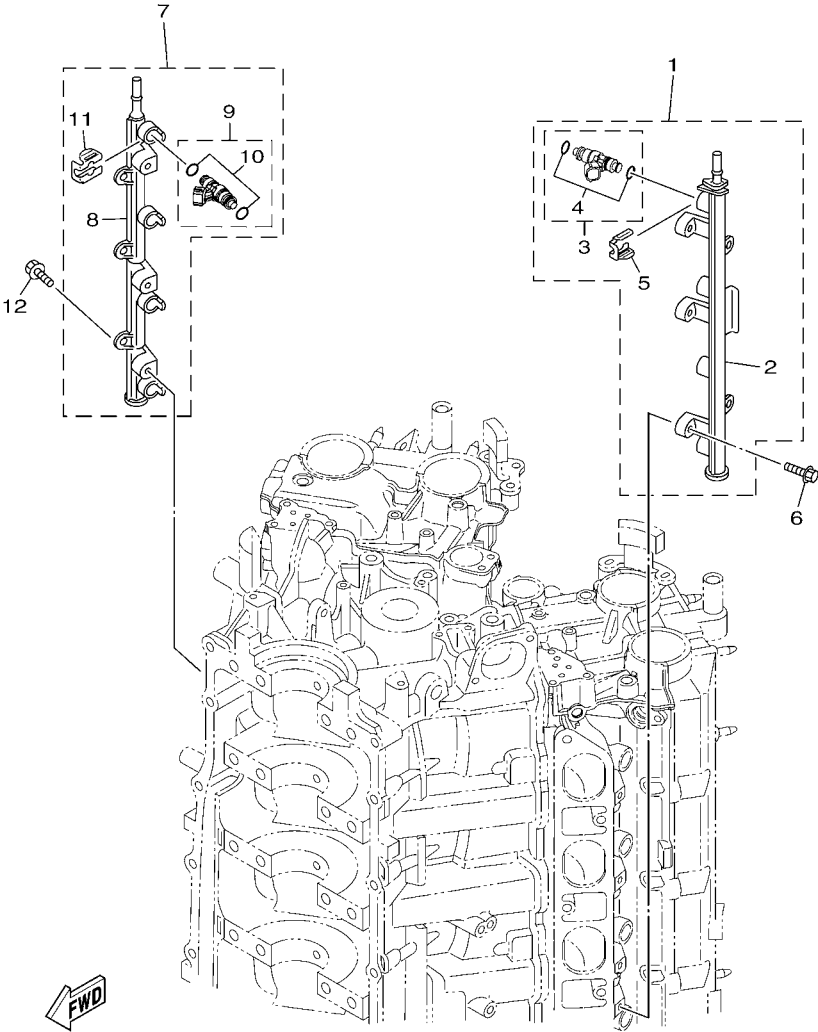


6AW1110-G100

FIG. 11 THROTTLE BODY ASSY 1

REF. NO.	PART NO.	DESCRIPTION	XCB	UCB		REMARKS
1	6AW-13750-01	THROTTLE BODY ASSY	1	1		
2	6AW-13751-00	.BODY, THROTTLE 1	1	1		
3	6AW-13711-01	.MIXING BODY	1	1		
4	6AW-13556-00	.GASKET, MANIFOLD	1	1		
5	6AW-13557-00	.GASKET	1	1		
6	6AW-14360-00	.THROTTLE DAMPER ASSY	1	1		
7	6P2-13588-00	.NUT	4	4		
8	6P2-13578-00	.WASHER	4	4		
9	6P2-14496-00	.BOLT	4	4		
10	6P2-82380-00	.SENSOR, PRESSURE	1	1		
11	6P2-13573-00	.BOLT 1	1	1		
12	68V-14356-00	.WASHER, SPRING	1	1		
13	4N0-14251-00	.NIPPLE	1	1		
14	5JW-24311-00	.PIPE, FUEL 1	1	1		
15	6AW-82364-00	.HOSE 2	1	1		
16	6AW-82365-00	.HOSE 3	1	1		
17	6AW-11188-00	.CLIP, PIPE	1	1		
18	6AW-82366-00	.HOSE 4	1	1		

FIG. 12 THROTTLE BODY ASSY 2



6AW6100-L120

REF. NO.	PART NO.	DESCRIPTION	XCB	UCB	REMARKS
1	6AW-13160-10	DELIVERY PIPE ASSY 1	1	1	
2	6AW-13161-10	.PIPE, DELIVERY 1	1	1	
3	6AW-13761-00	.INJECTOR	4	4	
4	6AW-1410B-00	..PACKING KIT	1	1	
5	6AW-13577-10	.CLIP	4	4	
6	90105-06M08	BOLT, FLANGE	3	3	
7	6AW-13170-10	DELIVERY PIPE ASSY 2	1	1	
8	6AW-13171-10	.PIPE, DELIVERY 2	1	1	
9	6AW-13761-00	.INJECTOR	4	4	
10	6AW-1410B-00	..PACKING KIT	1	1	
11	6AW-13577-10	.CLIP	4	4	
12	90105-06M08	BOLT, FLANGE	3	3	

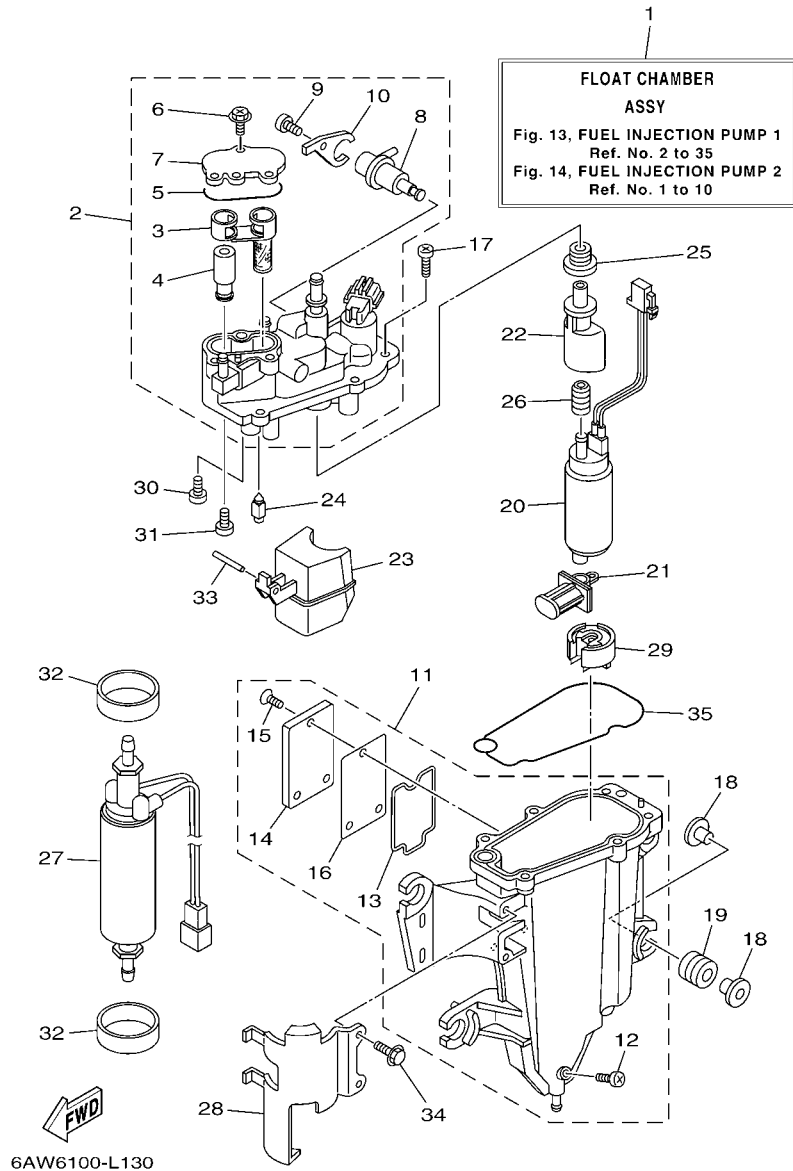


FIG. 13 FUEL INJECTION PUMP 1

REF. NO.	PART NO.	DESCRIPTION	XCB	UCB		REMARKS
1	6AW-14180-20	FLOAT CHAMBER ASSY	1	1		
2	6AW-14182-10	COVER, FLOAT CHAMBER	1	1		
3	6CB-24501-01	.FILTER, FUEL	1	1		
4	6CB-24460-00	.RELIEF VALVE ASSY	1	1		
5	6CB-13016-00	.O-RING	1	1		
6	6CB-14216-00	.SCREW	3	3		
7	6CB-24217-00	.COVER	1	1		
8	6CB-13906-01	.REGULATOR, PRESSURE	1	1		
9	6CB-14564-00	.SCREW	1	1		
10	6CB-14146-00	.PLATE	1	1		
11	6CB-14181-01	BODY, FLOAT CHAMBER 1	1	1		
12	6P2-14191-00	.PLUG, DRAIN	1	1		
13	6CB-14239-00	.SEAL	1	1		
14	6CB-24452-10	.COVER	1	1		
15	6CB-14429-01	.SCREW	3	3		
16	6CB-24482-00	.GASKET 1	1	1		
17	63P-14567-00	SCREW	6	6		
18	69J-13716-00	COLLAR	8	8		
19	6CB-13593-00	DAMPER	4	4		
20	6AW-13907-10	FUEL PUMP COMP.	1	1		
21	63P-13915-00	FILTER	1	1		
22	6AW-13132-00	JOINT	1	1		
23	6CB-14985-00	FLOAT	1	1		
24	6CB-14546-00	VALVE, NEEDLE	1	1		
25	6CB-1447B-00	BUSH 1	1	1		
26	6AW-13781-00	DAMPER, PUMP	1	1		
27	6CB-24410-00	FUEL PUMP ASSY	1	1		

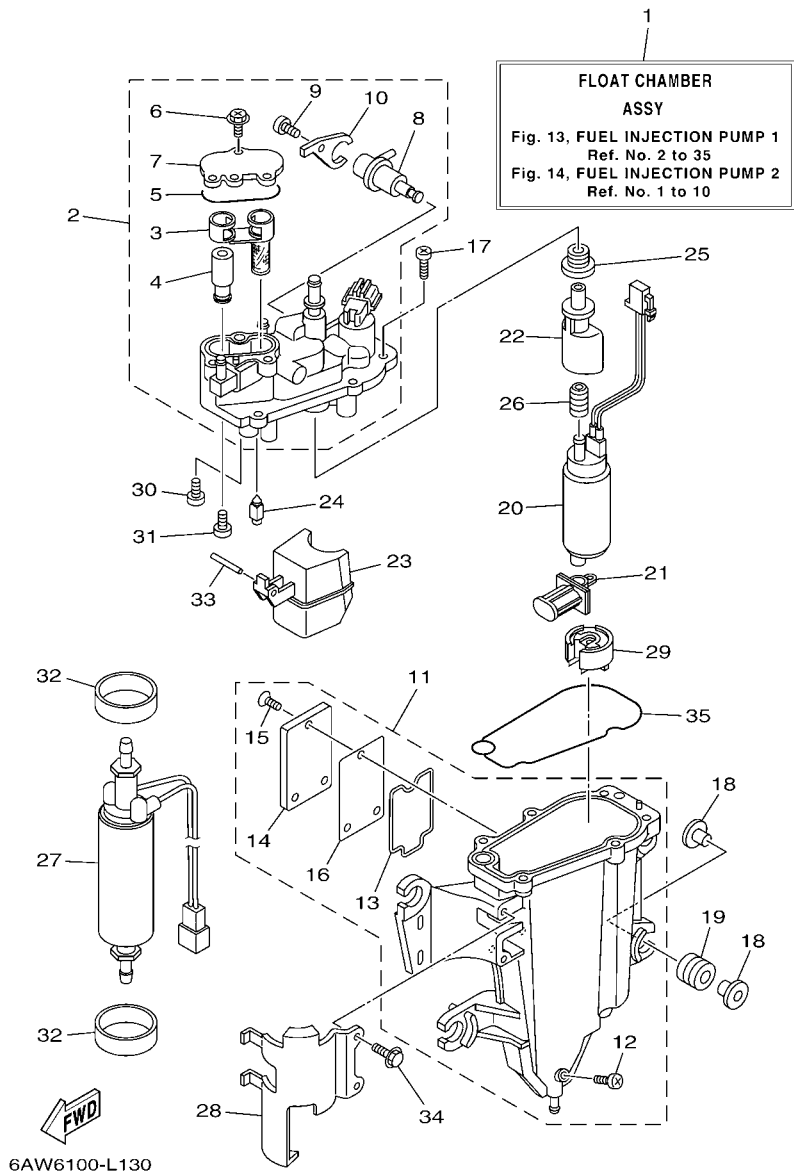


FIG. 13 FUEL INJECTION PUMP 1

REF. NO.	PART NO.	DESCRIPTION	XCB	UCB	REMARKS
28	6AW-24491-10	BRACKET, FUEL PUMP	1	1	
29	6AW-13784-00	COVER, PUMP	1	1	
30	4SV-24453-00	SCREW	1	1	
31	98507-04008	SCREW, PAN HEAD	1	1	
32	6CB-24492-00	BUSH, FUEL PUMP	2	2	
33	6P2-14386-00	PIN, FLOAT	1	1	
34	6CB-24592-00	BOLT	2	2	
35	6CB-14984-00	GASKET, FLOAT CHAMBER	1	1	

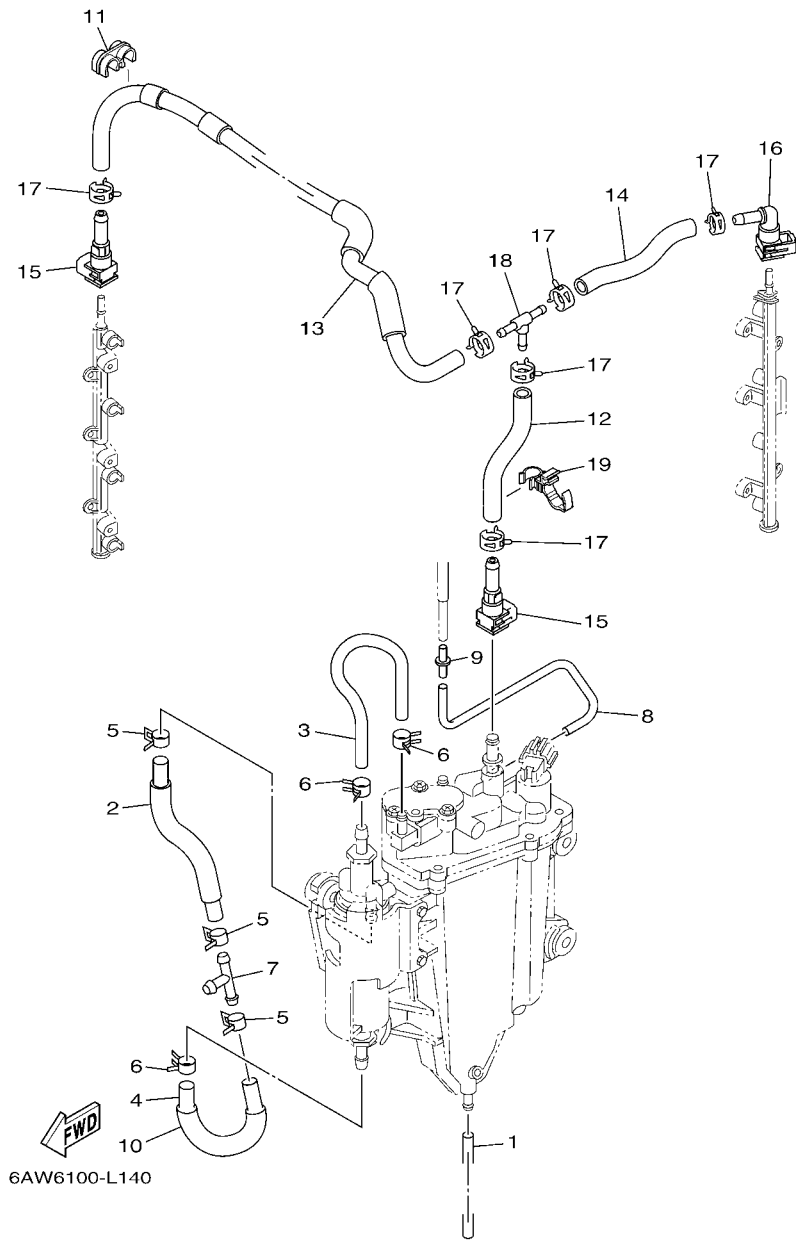


FIG. 14 FUEL INJECTION PUMP 2

REF. NO.	PART NO.	DESCRIPTION	XCB	UCB	REMARKS
1	6P2-14149-00	PIPE	1	1	
2	6AW-24323-20	PIPE 12	1	1	
3	6AW-24324-20	PIPE 13	1	1	
4	6AW-24317-20	PIPE 7	1	1	
5	69J-14137-00	CLIP	3	3	
6	68V-13577-00	CLIP	3	3	
7	6E5-24378-00	PIPE, JOINT 3	1	1	
8	6AW-13532-00	HOSE, VACUUM SENSING 3	1	1	
9	6P2-24376-00	PIPE, JOINT 1	1	1	
10	90446-18002	HOSE	1	1	
11	90464-12224	CLAMP	1	1	
12	6AW-13971-30	PIPE, FUEL 1	1	1	
13	6AW-13973-30	PIPE, FUEL 3	1	1	
14	6AW-13974-30	PIPE, FUEL 4	1	1	
15	6AW-24300-10	FUEL PIPE JOINT	2	2	
16	6AW-24300-00	FUEL PIPE JOINT	1	1	
17	68V-13577-00	CLIP	6	6	
18	6CB-24461-00	PIPE, JOINT	1	1	
19	90464-12012	CLAMP	1	1	

FIG. 15 FUEL 1

REF. NO.	PART NO.	DESCRIPTION	XCB	UCB	REMARKS
1	689-85547-00	DAMPER	1	1	
2	6AW-24377-01	PIPE, JOINT 2	1	1	
3	6AW-24311-11	PIPE, FUEL 1	1	1	
4	6E5-24351-51	BAND 1	1	1	
5	90465-11M10	CLAMP	3	3	
6	6P3-24560-22	FILTER ASSY	1	1	
7	6P3-24562-21	.CUP, FILTER	1	1	
8	6P3-24519-00	..CLIP	1	1	
9	6P3-24469-00	..FLOAT, WATER LEVEL	1	1	
10	6P3-24564-00	.GASKET	1	1	
11	6P3-24563-01	.ELEMENT, FILTER	1	1	
12	90119-06M17	BOLT, WITH WASHER	2	2	
13	90387-06M60	COLLAR	2	2	
14	90480-10M23	GROMMET	2	2	
15	6AW-24596-00	COVER	1	1	
16	97095-06012	BOLT	2	2	
17	92995-06600	WASHER	2	2	
18	90464-11121	CLAMP	1	1	
19	90464-20181	CLAMP	1	1	
20	6AW-24313-10	PIPE 3	1	1	
21	6AW-24422-00	PLATE	1	1	
22	95895-06012	BOLT, FLANGE	1	1	
23	90464-11009	CLAMP	2	2	
24	6AW-44117-00	BRACKET	1	1	
25	95895-06025	BOLT, FLANGE	2	2	
26	69J-28100-01	TOOL KIT	1	1	AP

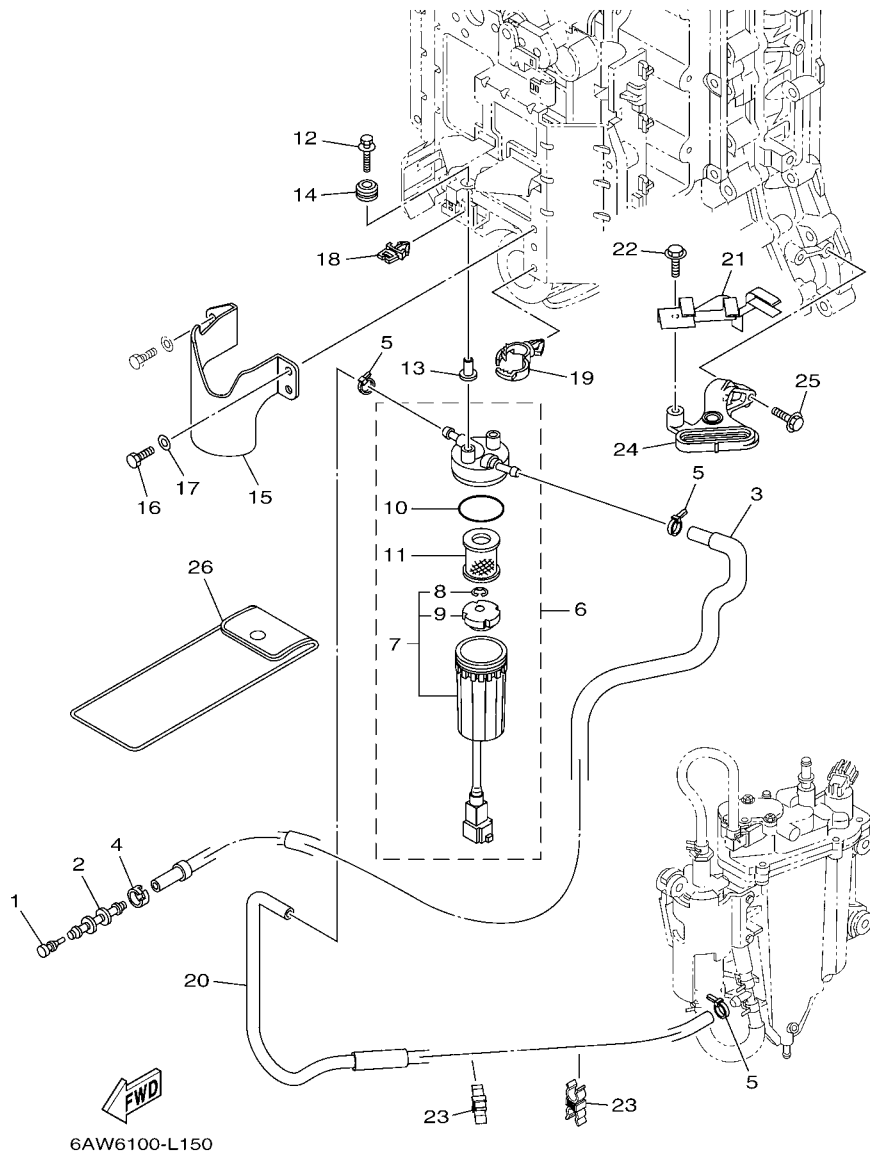
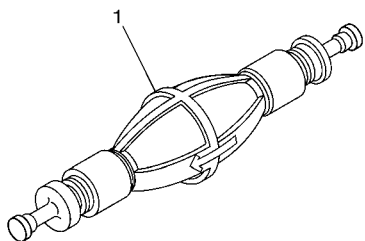
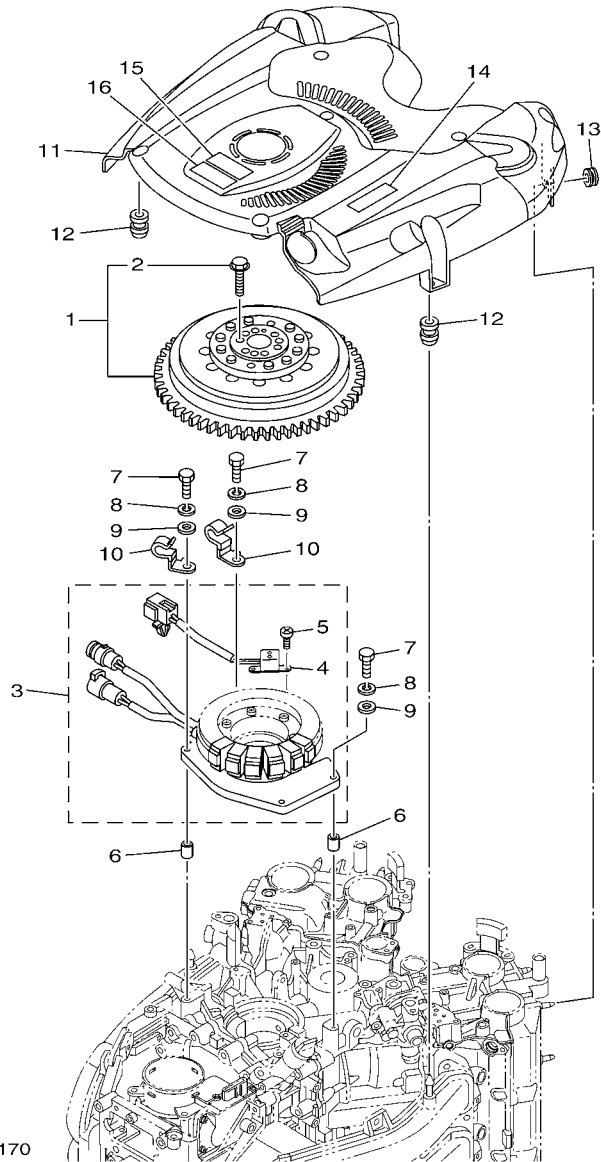


FIG. 16 FUEL 2



 6AW6100-L160

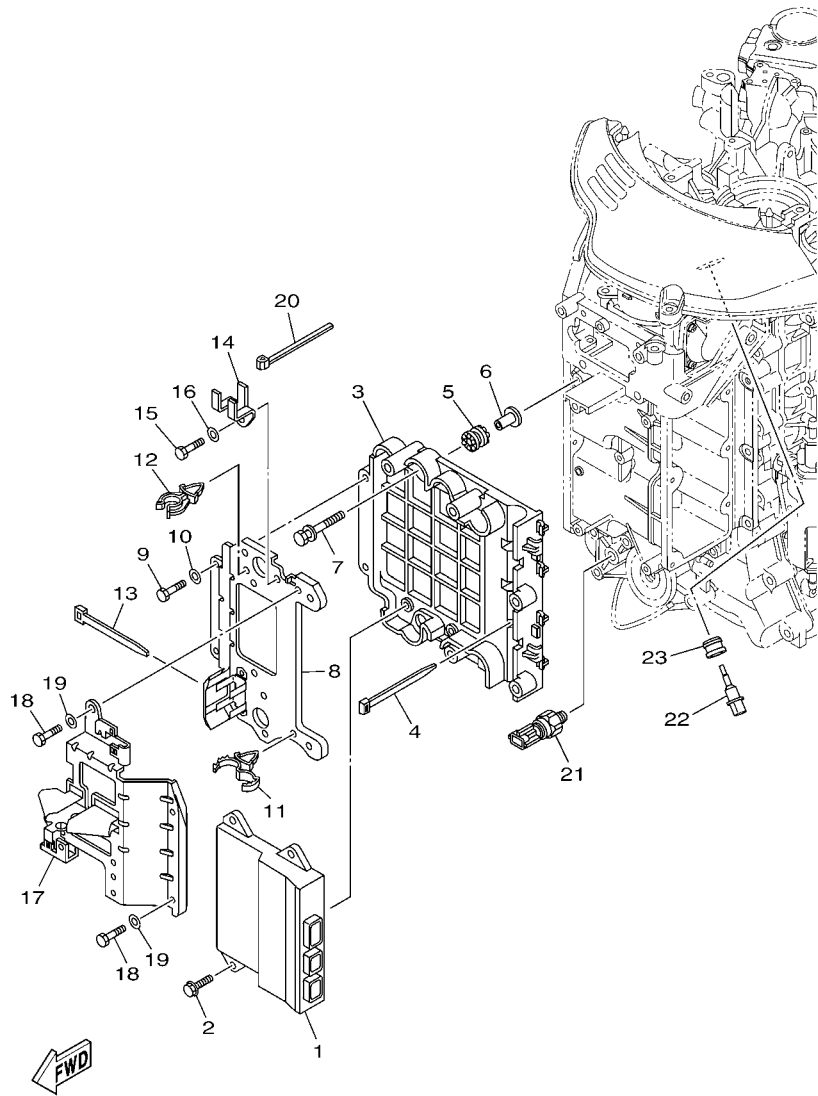
REF. NO.	PART NO.	DESCRIPTION	XCB	UCB			REMARKS
1	6AW-24360-01	PRIMER PUMP ASSY	1	1			AP



6AW6100-L170

FIG. 17 GENERATOR

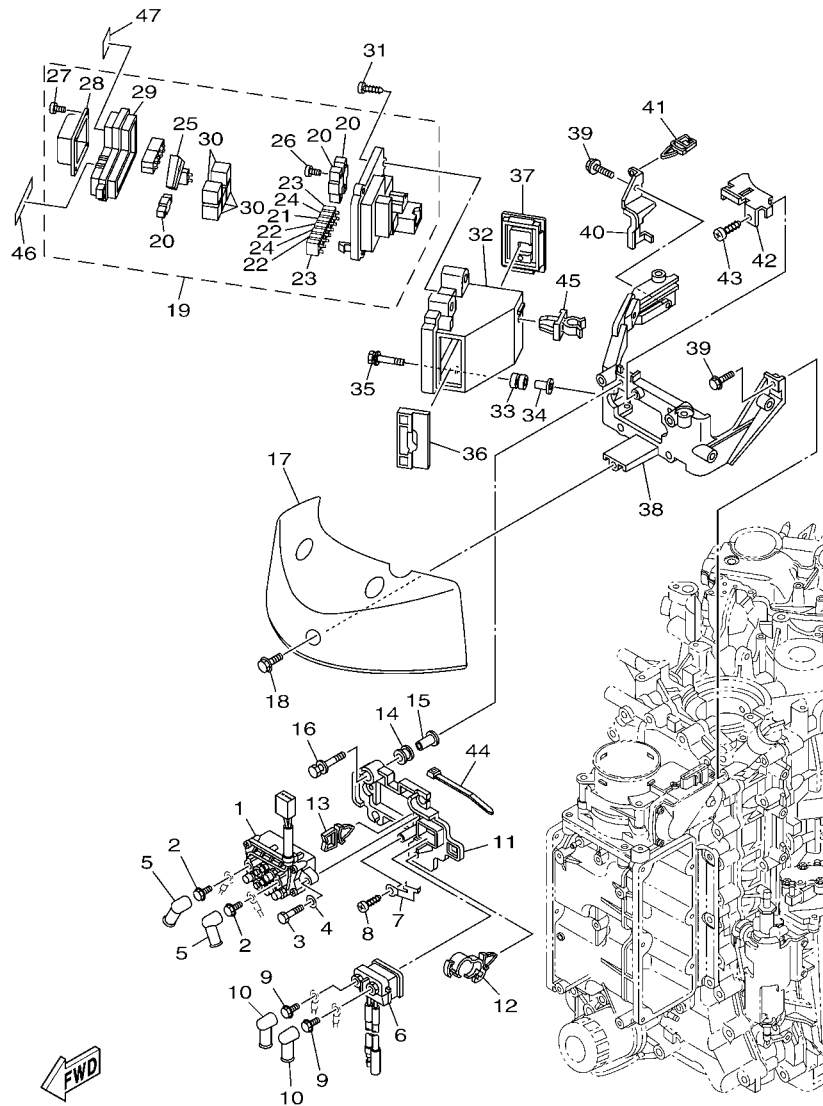
REF. NO.	PART NO.	DESCRIPTION	XCB	UCB		REMARKS
1	6AW-W8145-01	ROTOR ASSY WITH BOLTS	1	1		
2	6AW-W9011-00	.BOLT SET (FOR ROTOR ASSY)	1	1		
3	6AW-81460-00	BASE ASSY	1	1		
4	6AW-85580-00	.COIL, PULSER	1	1		
5	63D-81345-00	.SCREW, WITH WASHER (M5X12)	2	2		
6	99530-08012	PIN, DOWEL	2	2		
7	97095-06030	BOLT	4	4		
8	92995-06100	WASHER, SPRING	4	4		
9	92995-06600	WASHER	4	4		
10	90462-10042	CLAMP	2	2		
11	6AW-81337-01	COVER, FLYWHEEL	1	1		
12	663-82317-01	DAMPER, IGNITION COIL	4	4		
13	90480-12314	GROMMET	2	2		
14	6AW-13437-51	MARK, CAUTION	1	1		
15	6AH-81994-40	LABEL, SAFETY	1	1		
16	6AH-81994-50	LABEL, SAFETY	1	1		



6AW6100-L180

FIG. 18 ELECTRICAL 1

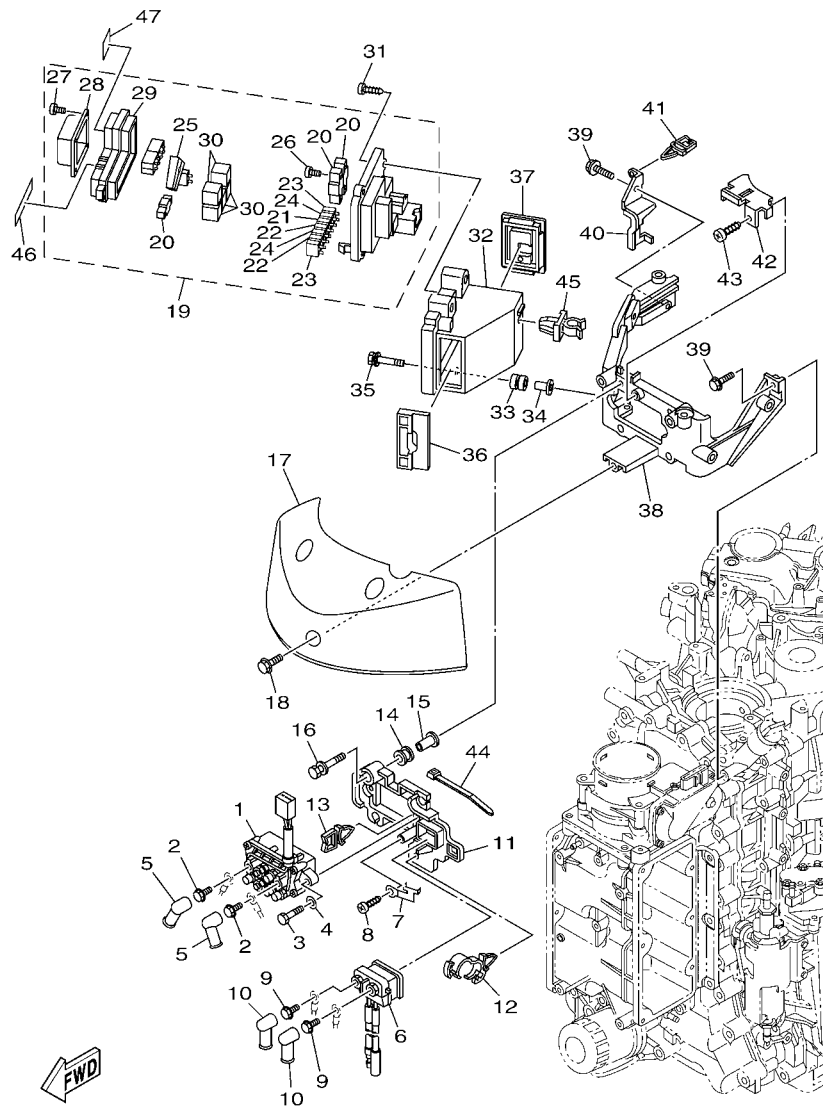
REF. NO.	PART NO.	DESCRIPTION	XCB	UCB		REMARKS
1	6AW-8591A-41	ENGINE CONTROL UNIT ASSY	1	1		
2	90119-06M82	BOLT, WITH WASHER	4	4		
3	6AW-85991-00	BRACKET, UNIT	1	1		
4	90465-14M66	CLAMP	4	4		
5	60V-85564-00	GROMMET	4	4		
6	90387-06176	COLLAR	4	4		
7	68F-85119-00	BOLT	4	4		
8	6AW-8591C-00	CASE, ECU	1	1		
9	97095-06012	BOLT	5	5		
10	92995-06600	WASHER	5	5		
11	90464-18246	CLAMP	1	1		
12	90464-16240	CLAMP	1	1		
13	90465-13M24	CLAMP	1	1		
14	6AW-82544-01	CLAMP	1	1		
15	97095-06012	BOLT	1	1		
16	92995-06600	WASHER	1	1		
17	6AW-82588-00	PLATE	1	1		
18	97095-06012	BOLT	4	4		
19	92995-06600	WASHER	4	4		
20	90465-14M66	CLAMP	1	1		
21	6AW-83651-00	SENDER, OIL PRESSURE	1	1		
22	63P-85886-00	SENSOR, AIR TEMPERATURE	1	1		
23	63P-14435-00	GROMMET	1	1		



6AW6100-L190

FIG. 19 ELECTRICAL 2

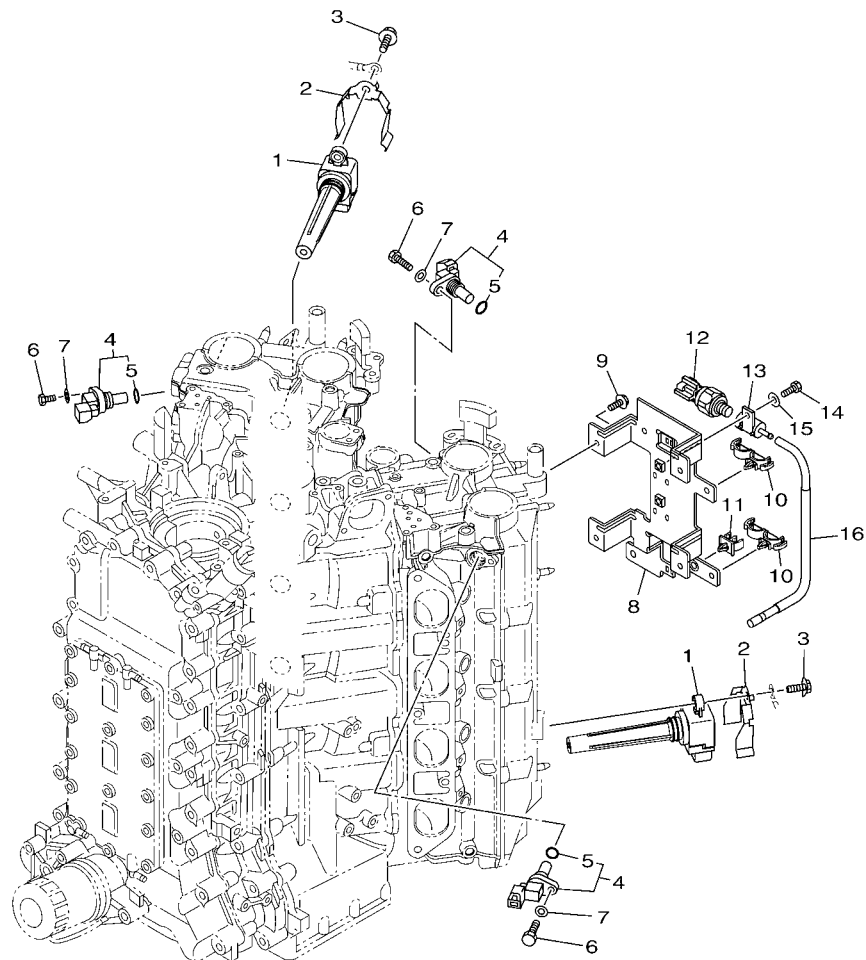
REF. NO.	PART NO.	DESCRIPTION	XCB	UCB	REMARKS
1	6AW-81950-00	RELAY ASSY	1	1	
2	97595-06610	BOLT, WITH WASHER	2	2	
3	97013-06020	BOLT	2	2	
4	92903-06600	WASHER, PLATE	2	2	
5	6G5-82119-10	COVER, LEAD WIRE	2	2	
6	6AW-8194A-00	RELAY	1	1	
7	68V-81953-00	STAY, RELAY	1	1	
8	97780-60620	SCREW, TAPPING	1	1	
9	97595-06610	BOLT, WITH WASHER	2	2	
10	6G5-82119-00	COVER, LEAD WIRE	2	2	
11	6AW-81952-00	HOLDER, RELAY	1	1	
12	90464-12183	CLAMP	1	1	
13	90464-11121	CLAMP	1	1	
14	6A0-82317-00	DAMPER, IGNITION COIL	4	4	
15	90387-06119	COLLAR	4	4	
16	90119-06M59	BOLT, WITH WASHER	4	4	
17	6AW-81942-00	COVER	1	1	
18	95895-06016	BOLT, FLANGE	3	3	
19	6AW-82170-01	FUSE BOX ASSY	1	1	
20	6P2-82151-00	.FUSE (60A)	3	3	
21	67F-82151-00	.FUSE (20A)	2	2	
22	67F-82151-10	.FUSE (30A)	3	3	
23	67F-82151-40	.FUSE (10A)	3	3	
24	67F-82151-50	.FUSE (15A)	3	3	
25	67F-2812A-00	.PULLER, FUSE	1	1	
26	68F-82846-00	.SCREW, PAN HEAD (M5)	4	4	
27	6P2-82113-00	.SCREW	4	4	



6AW6100-L190

FIG. 19 ELECTRICAL 2

REF. NO.	PART NO.	DESCRIPTION	XCB	UCB	REMARKS
28	6P2-81639-00	.RELAY COVER	1	1	
29	6P2-85544-00	.CASE	1	1	
30	68F-8195A-00	.RELAY ASSY	5	5	
31	97780-50620	SCREW, TAPPING	4	4	
32	6AW-82171-00	STAY, FUSE BOX	1	1	
33	6A0-82317-00	DAMPER, IGNITION COIL	3	3	
34	90387-06119	COLLAR	3	3	
35	90119-06M59	BOLT, WITH WASHER	3	3	
36	6AW-82572-00	GROMMET 1	1	1	
37	6AW-82573-00	GROMMET 2	1	1	
38	6AW-81948-00	BRACKET	1	1	
39	95895-06020	BOLT, FLANGE	4	4	
40	6AW-81678-00	CLAMP 2	1	1	
41	90464-11121	CLAMP	1	1	
42	6AW-81443-00	CLAMP, LEAD 1	1	1	
43	97780-50514	SCREW, TAPPING	1	1	
44	90465-11M10	CLAMP	2	2	
45	90464-09008	CLAMP	1	1	
46	6AW-81919-20	GRAPHIC, REGULATOR	1	1	
47	6AW-81919-31	GRAPHIC, REGULATOR	1	1	




 6AW6100-L200

FIG. 20 ELECTRICAL 3

REF. NO.	PART NO.	DESCRIPTION	XCB	UCB	REMARKS
1	6CB-82310-00	IGNITION COIL ASSY	8	8	
2	6AW-81539-00	PLATE, COIL	8	8	
3	95895-06025	BOLT, FLANGE	8	8	
4	6P2-85896-00	SENSOR, CAM POSITION	3	3	
5	6P2-85075-00	.O-RING	1	1	
6	97095-06020	BOLT	3	3	
7	92995-06600	WASHER	3	3	
8	6AW-8366G-10	BRACKET 3	1	1	
9	95895-06016	BOLT, FLANGE	4	4	
10	90464-18246	CLAMP	2	2	
11	90464-07009	CLAMP	1	1	
12	6AW-8366B-00	SENSOR, WATER PRESSURE	1	1	
13	60V-8366D-00	ADAPTOR, INPUT	1	1	
14	97095-06016	BOLT	1	1	
15	92995-06600	WASHER	1	1	
16	6AW-82353-10	HOSE	1	1	

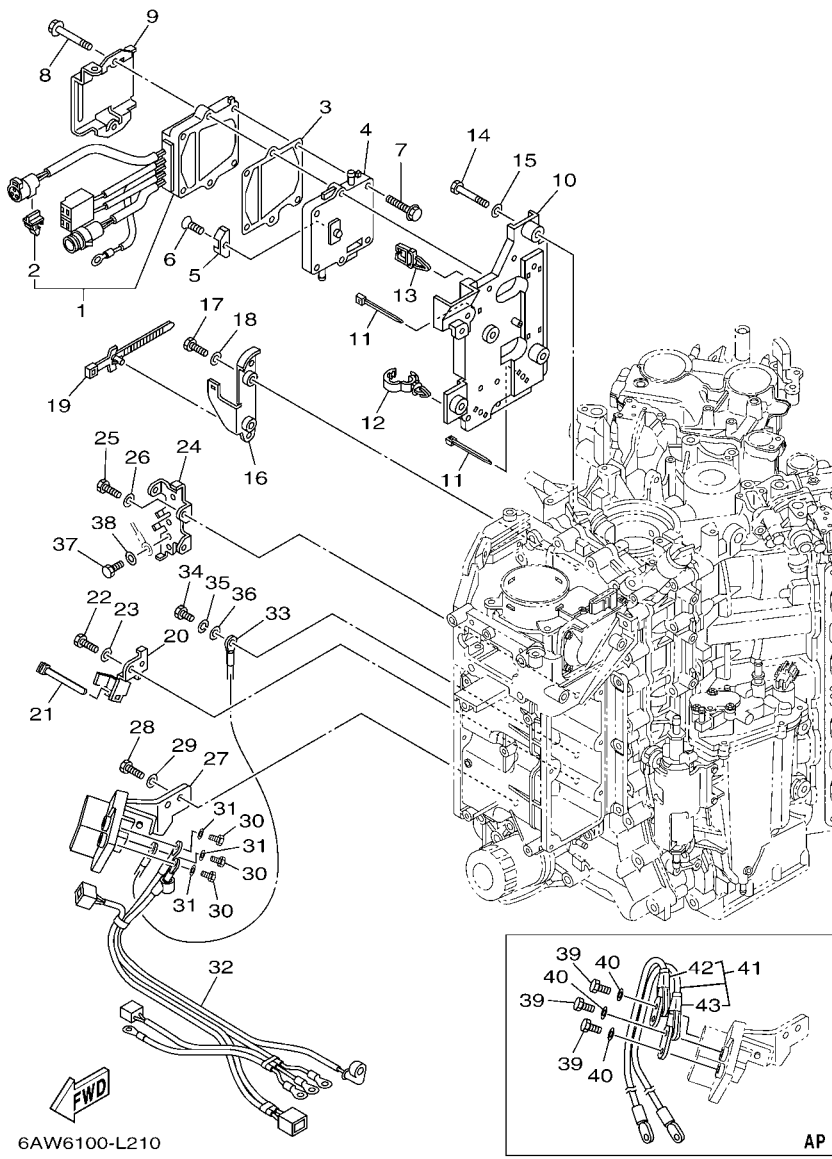


FIG. 21 ELECTRICAL 4

REF. NO.	PART NO.	DESCRIPTION	XCB	UCB		REMARKS
1	6AW-81960-01	RECTIFIER & REGULATOR ASSY	1	1		
2	90464-12002	.CLAMP	1	1		
3	6AW-81975-00	PLATE, RECTIFIER FITTING	1	1		
4	6AW-81972-00-9S	COVER, RECTIFIER	1	1		
5	6E5-11325-00	ANODE	1	1		
6	98780-04015	SCREW, FLAT HEAD	1	1		
7	90119-06MA3	BOLT, WITH WASHER	4	4		
8	90119-06MA5	BOLT, WITH WASHER	2	2		
9	6AW-82581-00	STAY, CORD CLAMP	1	1		
10	6AW-8235A-00	CASE 1	1	1		
11	90465-14M66	CLAMP	5	5		
12	90464-13249	CLAMP	1	1		
13	90464-11121	CLAMP	1	1		
14	97095-06016	BOLT	4	4		
15	92995-06600	WASHER	4	4		
16	6AW-83614-01	BRACKET	1	1		
17	97095-06014	BOLT	2	2		
18	92995-06600	WASHER	2	2		
19	90464-44002	CLAMP	2	2		
20	6AW-81328-00	CLAMP	1	1		
21	90465-14M66	CLAMP	1	1		
22	97095-06016	BOLT	1	1		
23	92995-06600	WASHER	1	1		
24	6AW-81218-00	TERMINAL	1	1		
25	97095-06016	BOLT	2	2		
26	92995-06600	WASHER	2	2		
27	6AW-81925-01	TERMINAL	1	1		

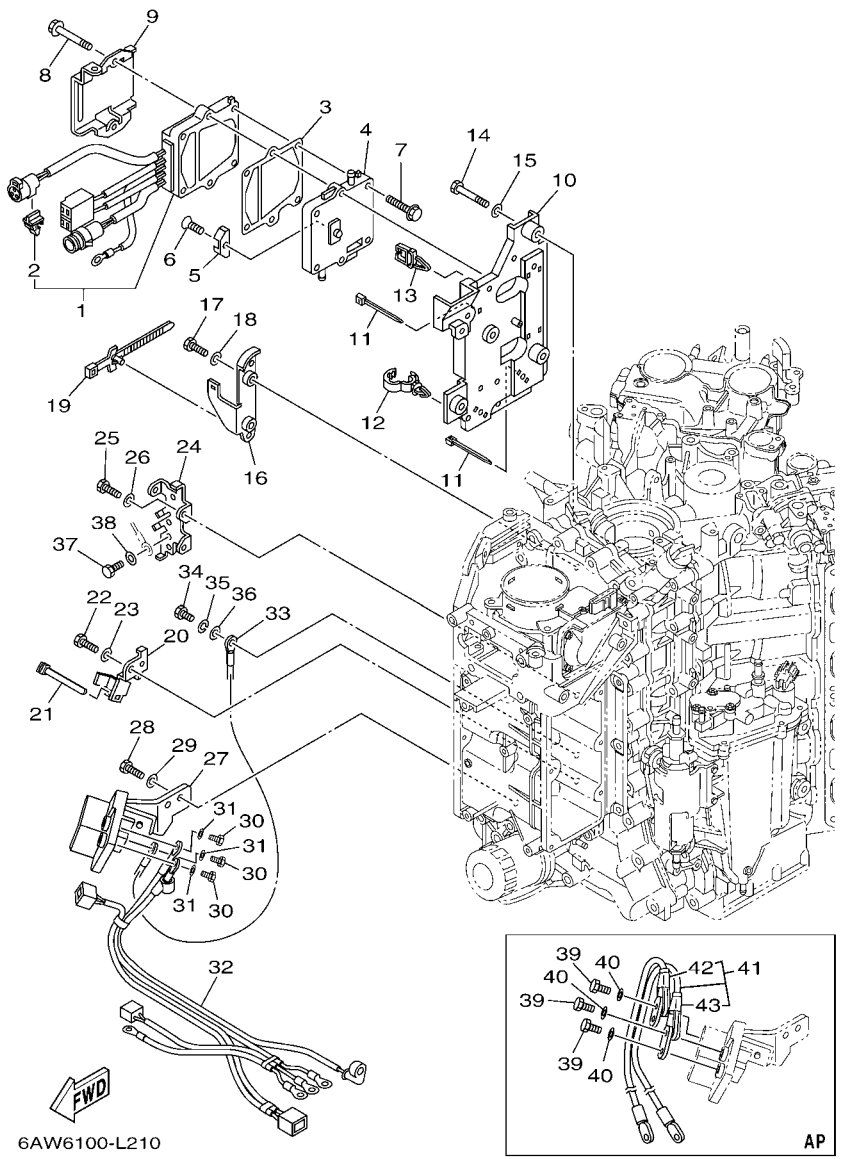


FIG. 21 ELECTRICAL 4

REF. NO.	PART NO.	DESCRIPTION	XCB	UCB		REMARKS
28	97095-08020	BOLT	2	2		
29	92995-08600	WASHER	2	2		
30	90101-08022	BOLT	3	3		
31	92990-08600	WASHER, PLATE	3	3		
32	6AW-8259M-00	WIRE HARNESS ASSY 2	1	1		
33	6AW-82117-01	WIRE, LEAD	1	1		
34	97095-06016	BOLT	1	1		
35	92995-06100	WASHER, SPRING	1	1		
36	92995-06600	WASHER	1	1		
37	97095-06010	BOLT	4	4		
38	92995-06600	WASHER	4	4		
39	97095-08016	BOLT	3	3		AP
40	92995-08600	WASHER	3	3		AP
41	6AW-82105-00	WIRE HARNESS	1	1		AP
42	6AW-82119-00	.COVER, LEAD WIRE	1	1		
43	6AW-82119-20	.COVER, LEAD WIRE	1	1		

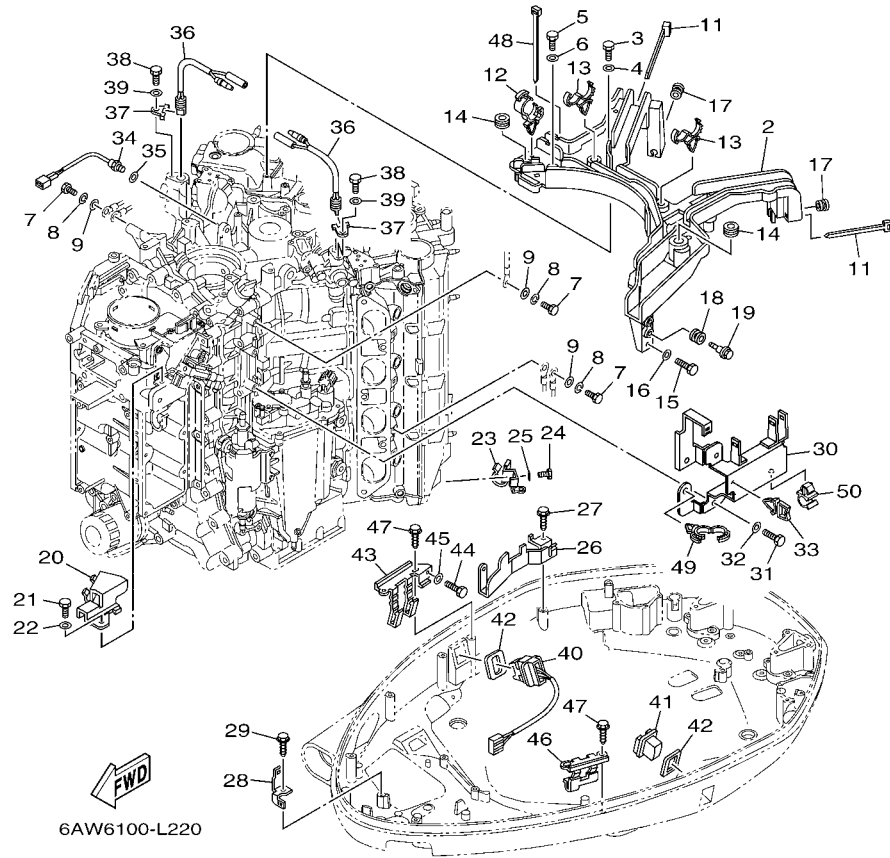
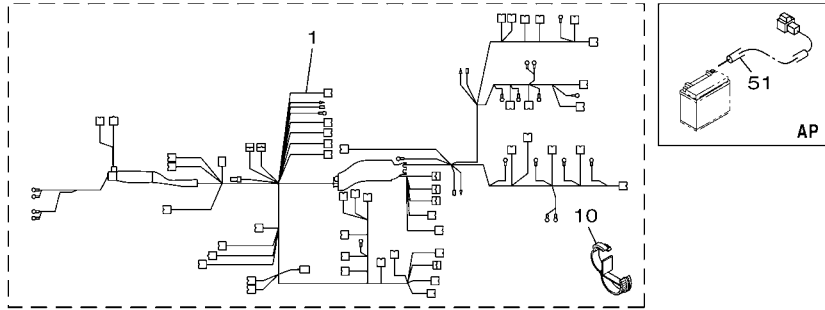


FIG. 22 ELECTRICAL 5

REF. NO.	PART NO.	DESCRIPTION	XCB	UCB		REMARKS
1	6AW-82590-20	WIRE HARNESS ASSY	1	1		
2	6AW-82589-01	PROTECTOR, WIRE HARNESS	1	1		
3	97095-06035	BOLT	2	2		
4	92995-06600	WASHER	2	2		
5	97095-06025	BOLT	1	1		
6	92995-06600	WASHER	1	1		
7	97095-06016	BOLT	3	3		
8	92995-06100	WASHER, SPRING	3	3		
9	92995-06600	WASHER	3	3		
10	90464-25005	CLAMP	1	1		
11	90465-13M18	CLAMP	2	2		
12	90464-20181	CLAMP	1	1		
13	90464-18246	CLAMP	2	2		
14	90480-19368	GROMMET	2	2		
15	97095-06012	BOLT	1	1		
16	92995-06600	WASHER	1	1		
17	90480-12314	GROMMET	2	2		
18	90480-12314	GROMMET	2	2		
19	90109-06MA1	BOLT	2	2		
20	6AW-82388-00	PLATE	1	1		
21	97095-06014	BOLT	1	1		
22	92995-06600	WASHER	1	1		
23	6AW-81677-00	CLAMP 1	1	1		
24	97095-06014	BOLT	1	1		
25	92995-06600	WASHER	1	1		
26	6AW-8257G-00	CLAMP, CORD	1	1		
27	90109-06M86	BOLT	1	1		

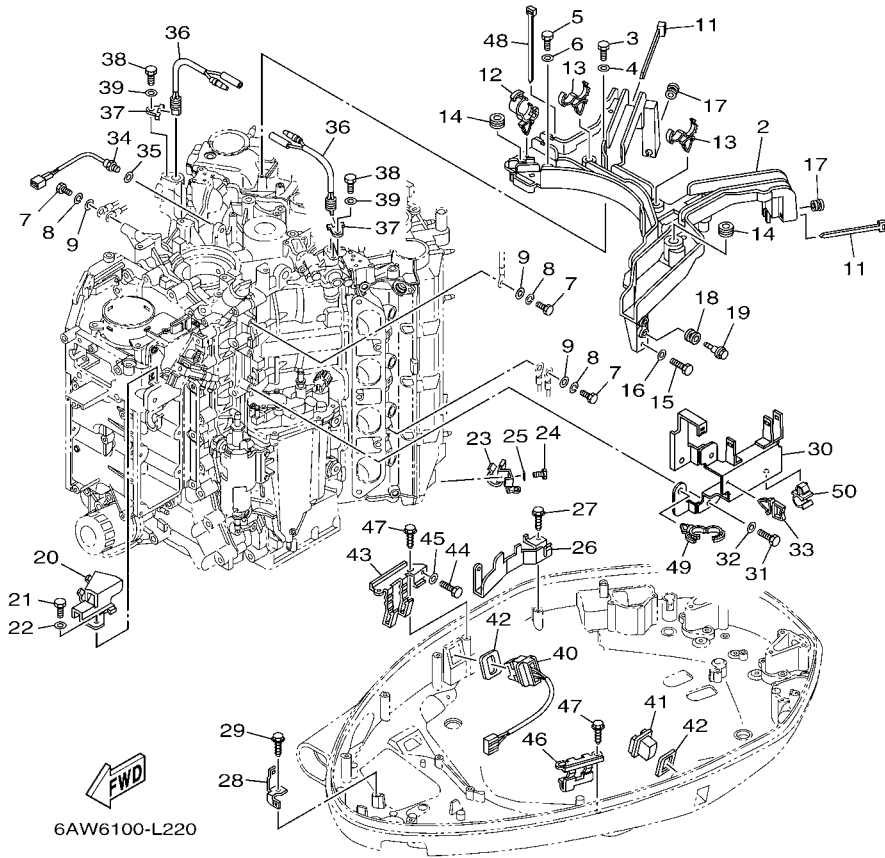
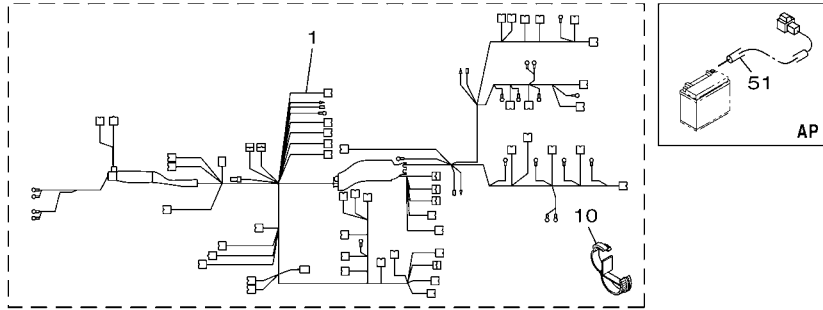


FIG. 22 ELECTRICAL 5

REF. NO.	PART NO.	DESCRIPTION	XCB	UCB	REMARKS
28	6AW-42743-00	BRACKET	1	1	
29	90109-06M86	BOLT	1	1	
30	6AW-81845-10	PLATE	1	1	
31	97095-06014	BOLT	2	2	
32	92995-06600	WASHER	2	2	
33	90464-11121	CLAMP	1	1	
34	61A-85790-00	THERMOSENSOR ASSY	1	1	
35	92990-10600	WASHER, PLATE	1	1	
36	6AW-82560-00	THERMO SWITCH ASSY	2	2	
37	6E9-82588-00	PLATE	2	2	
38	97095-06016	BOLT	2	2	
39	92995-06600	WASHER	2	2	
40	6AW-82563-00	TRIM & TILT SWITCH ASSY	1	1	
41	69J-42723-01	COVER, BOTTOM	1	1	
42	69J-82587-00	GASKET	2	2	
43	6AX-83614-00	BRACKET	1	1	
44	97095-06014	BOLT	1	1	
45	92995-06600	WASHER	1	1	
46	63P-83614-01	BRACKET	1	1	
47	90109-06M86	BOLT	4	4	
48	90465-14M66	CLAMP	1	1	
49	90464-20181	CLAMP	2	2	
50	90464-08051	CLAMP	2	2	
51	69J-81949-02	WIRE, LEAD (ISOLATOR, 3.8M)	1	1	AP

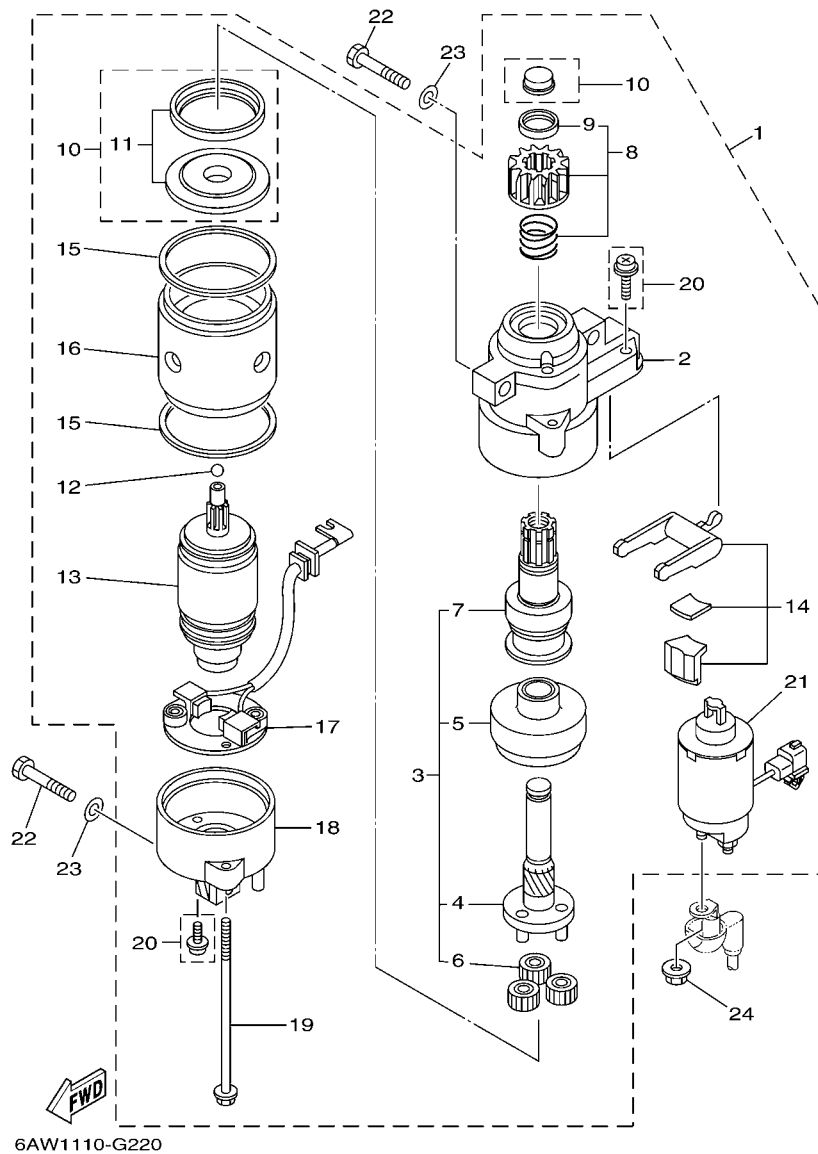


FIG. 23 STARTING MOTOR

REF. NO.	PART NO.	DESCRIPTION	XCB	UCB	REMARKS
1	6AW-81800-00	STARTING MOTOR ASSY	1	1	
2	6AW-81830-00	.FRONT BRACKET ASSY	1	1	
3	6AW-81807-00	.GEAR ASSY, STARTING MOTOR	1	1	
4	6AW-81836-00	..SHAFT, PINION	1	1	
5	6AW-81891-00	..GEAR, RING	1	1	
6	6AW-8183T-00	..GEAR, IDLER	3	3	
7	6AW-81832-00	..CLUTCH, OVER RUN	1	1	
8	6AW-81808-00	.PINION ASSY	1	1	
9	6AW-81857-00	..RETAINER	1	1	
10	6AW-81862-00	.CAP	1	1	
11	6AW-8183R-00	..PACKING SET	1	1	
12	6AW-81854-00	.BALL, STEEL	1	1	
13	6AW-81850-00	.ARMATURE ASSY	1	1	
14	6AW-81839-00	.LEVER ASSY	1	1	
15	6AW-81842-00	.PACKING	2	2	
16	6AW-81810-00	.STATOR ASSY	1	1	
17	6AW-81840-00	.BRUSH HOLDER ASSY	1	1	
18	6AW-81820-00	.REAR BRACKET ASSY	1	1	
19	6AW-81826-00	.BOLT	1	1	
20	6AW-81846-00	.SCREW	1	1	
21	6AW-81941-00	.STARTER RELAY ASSY	1	1	
22	97013-08045	BOLT	3	3	
23	92903-08600	WASHER, PLATE	3	3	
24	90179-08003	NUT	1	1	

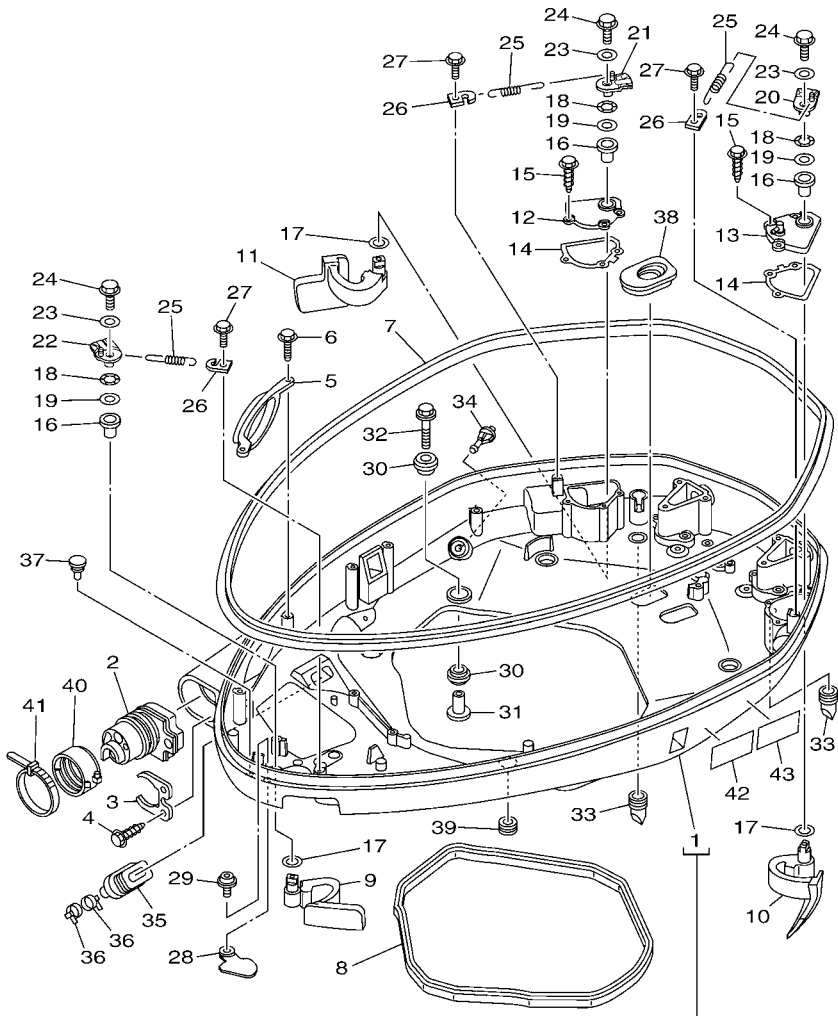


Fig. 6, CYLINDER & CRANKCASE 4
 Ref. No. 12
 Fig. 22, ELECTRICAL 5
 Ref. No. 27, 29, 47
 Fig. 24, BOTTOM COWLING 1
 Ref. No. 4, 6, 15, 27
 Fig. 25, BOTTOM COWLING 2
 Ref. No. 14, 17, 26, 40



6AW6100-L240

FIG. 24 BOTTOM COWLING 1

REF. NO.	PART NO.	DESCRIPTION	XCB	UCB	REMARKS
1	6AW-42710-01-8D	BOTTOM COWLING ASSY	1	1	
2	6AW-42725-01	GROMMET	1	1	
3	6AW-42761-00	STOPPER	1	1	
4	90109-06M86	BOLT	2	2	
5	6AW-42735-00	PROTECTOR	1	1	
6	90109-06M86	BOLT	2	2	
7	6AW-42615-00	SEAL	1	1	
8	63P-42716-00	RUBBER, SEAL 1	1	1	
9	6AW-42815-00-8D	LEVER, CLAMP	1	1	
10	6AW-42816-01-8D	LEVER, CLAMP	1	1	
11	6AW-42817-01-8D	LEVER, CLAMP	1	1	
12	6AW-42828-00-9S	PLATE, CLAMP	1	1	
13	6AW-42829-00-9S	PLATE, CLAMP 2	1	1	
14	6AW-42722-00	GASKET 2	2	2	
15	90109-06M81	BOLT	6	6	
16	90381-15002	BUSH, SOLID	3	3	
17	90202-15M37	WASHER, PLATE	3	3	
18	90206-15M18	WASHER, WAVE	3	3	
19	90201-156J2	WASHER, PLATE	3	3	
20	6AW-42818-01	LEVER, CLAMP	1	1	
21	6AW-42819-01	LEVER, CLAMP	1	1	
22	6AW-4281A-01	LEVER, CLAMP 6	1	1	
23	90201-06M30	WASHER, PLATE	3	3	
24	90105-06155	BOLT, FLANGE	3	3	
25	90506-22001	SPRING, TENSION	3	3	
26	66T-43144-00	HOOK, SPRING	3	3	
27	90109-06M86	BOLT	3	3	

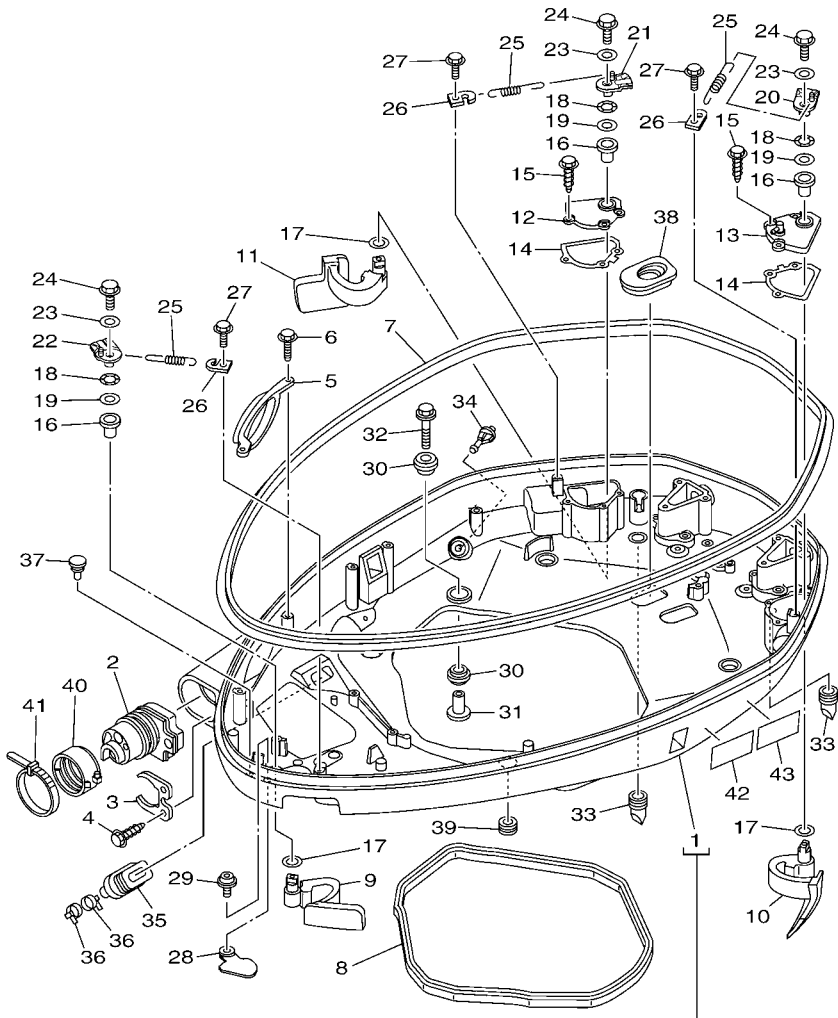


Fig. 6, CYLINDER & CRANKCASE 4
Ref. No. 12
Fig. 22, ELECTRICAL 5
Ref. No. 27, 29, 47
Fig. 24, BOTTOM COWLING 1
Ref. No. 4, 6, 15, 27
Fig. 25, BOTTOM COWLING 2
Ref. No. 14, 17, 26, 40



6AW6100-L240

FIG. 24 BOTTOM COWLING 1

REF. NO.	PART NO.	DESCRIPTION	XCB	UCB	REMARKS
28	6AW-42851-00	COVER, CLAMP	1	1	
29	90111-06094	BOLT, HEX. SOCKET BUTTON	1	1	
30	90480-22M81	GROMMET	12	12	
31	90387-08M37	COLLAR	6	6	
32	90119-08M22	BOLT, WITH WASHER	6	6	
33	61A-42717-00	RUBBER, SEAL 2	2	2	
34	6P2-44391-00	NIPPLE, HOSE	1	1	
35	6H1-42726-21	GROMMET	1	1	
36	90465-11M10	CLAMP	2	2	
37	6H4-42748-00	GROMMET	1	1	
38	6AW-42726-00	GROMMET	2	2	
39	90480-16007	GROMMET	1	1	
40	68F-42753-00	FASTNER	1	1	AP
41	90464-20258	CLAMP	1	1	AP
42	6AH-42794-40	LABEL, WARNING (GENERAL)	1	1	
43	6AH-42794-50	LABEL, WARNING (GENERAL)	1	1	

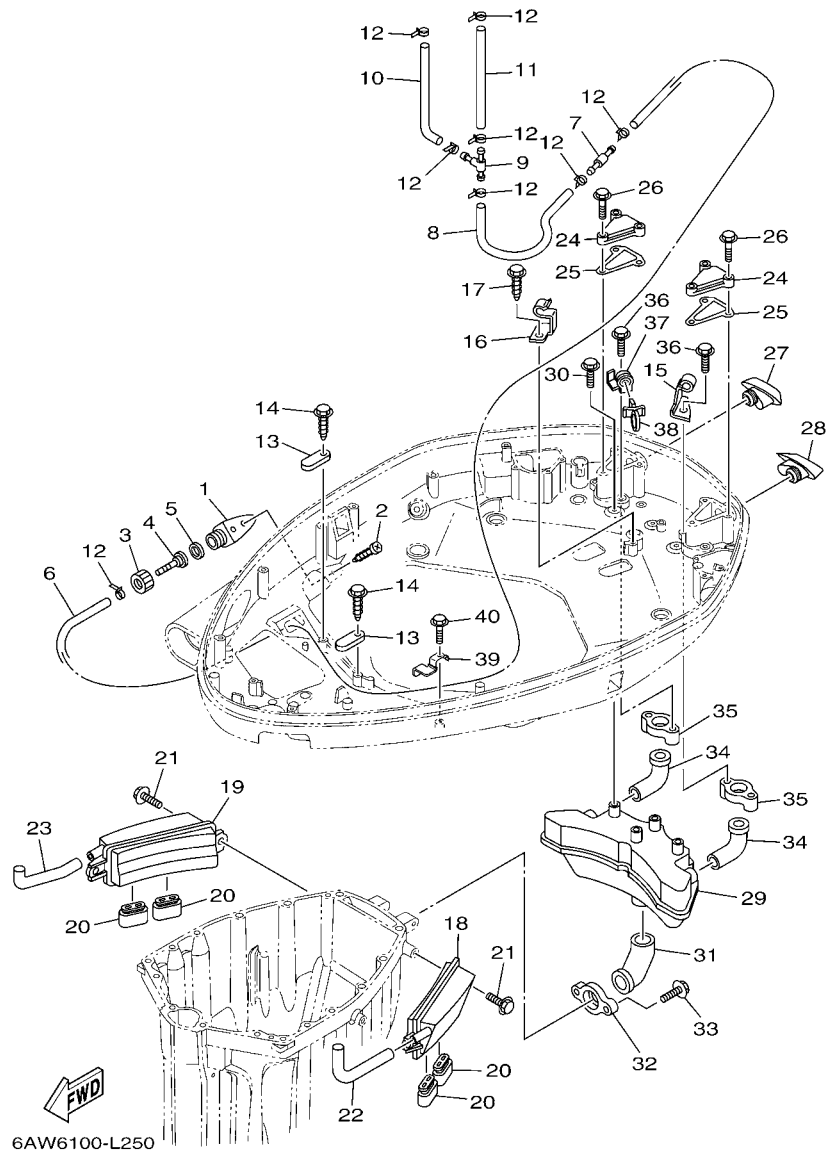


FIG. 25 BOTTOM COWLING 2

REF. NO.	PART NO.	DESCRIPTION	XCB	UCB	REMARKS
1	6AW-12572-00	ADAPTER	1	1	
2	97780-60520	SCREW, TAPPING	2	2	
3	6R3-12581-00	JOINT, HOSE 1	1	1	
4	6AW-12582-00	JOINT, HOSE 2	1	1	
5	6R3-12583-00	GASKET, HOSE JOINT	1	1	
6	90445-14015	HOSE (L1520)	1	1	
7	6AW-42785-00	PIPE	1	1	
8	90445-14013	HOSE (L480)	1	1	
9	6AW-42169-00	JOINT	1	1	
10	66V-24314-00	PIPE 4	1	1	
11	90445-116J1	HOSE (L185)	1	1	
12	90465-11M10	CLAMP	8	8	
13	6E5-82588-00	PLATE	2	2	
14	90109-06M81	BOLT	2	2	
15	90465-08M82	CLAMP	1	1	
16	6AW-42744-00	STAY	1	1	
17	90109-06M86	BOLT	1	1	
18	6AW-42733-00	BOX, DRAIN	1	1	
19	6AW-42734-00	BOX, DRAIN 2	1	1	
20	69J-42717-00	RUBBER, SEAL 2	4	4	
21	95895-06016	BOLT, FLANGE	4	4	
22	6AW-42786-00	HOSE, DRAIN 1	1	1	
23	6AW-42787-00	HOSE, DRAIN 2	1	1	
24	6AW-42723-00-9S	COVER, BOTTOM	2	2	
25	6AW-42721-00	GASKET 1	2	2	
26	90109-06M81	BOLT	6	6	
27	6AW-42769-00	SEAL, RUBBER	1	1	

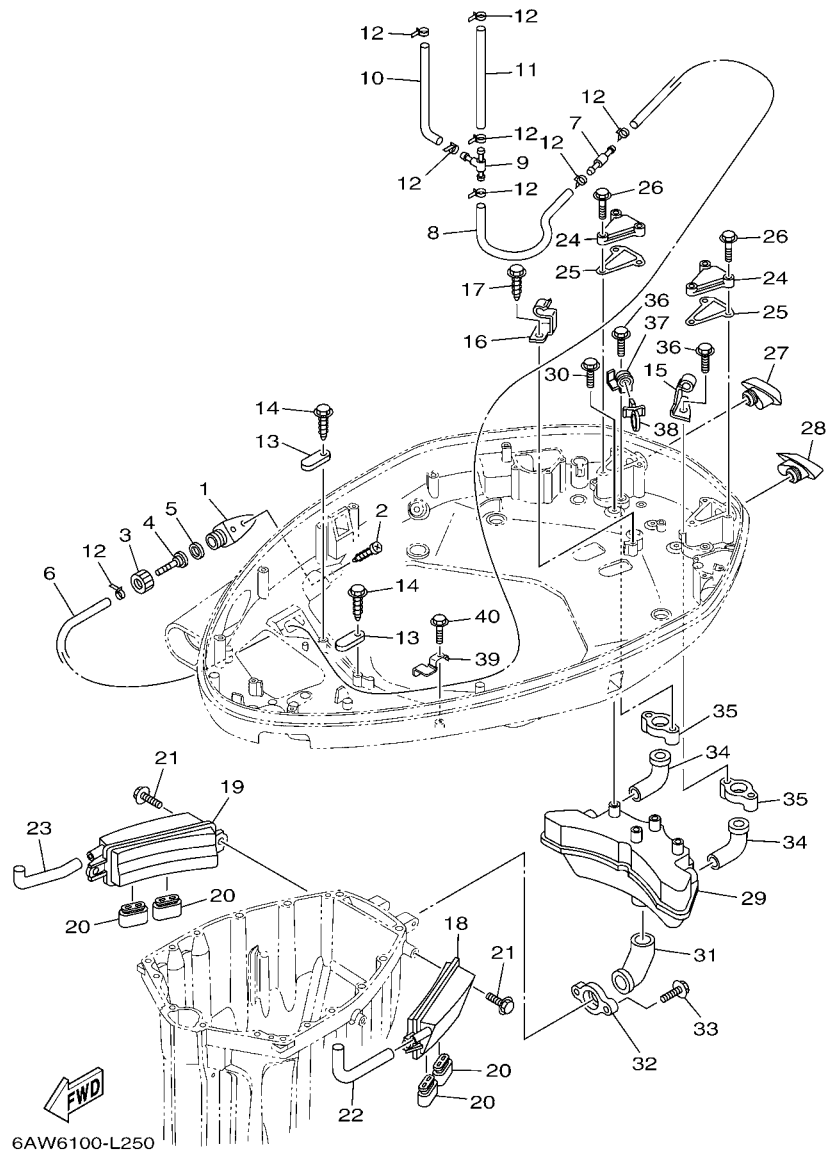


FIG. 25 BOTTOM COWLING 2

REF. NO.	PART NO.	DESCRIPTION	XCB	UCB	REMARKS
28	6AW-42629-00	SEAL	1	1	
29	6AW-14750-00	SILENCER ASSY	1	1	
30	95875-06016	BOLT, FLANGE	4	4	
31	6AW-1475E-00	PIPE 2	1	1	
32	6AW-14763-00	SPACER	1	1	
33	95875-06025	BOLT, FLANGE	2	2	
34	6AW-1475F-00	PIPE 3	2	2	
35	6AW-14764-00-CA	SPACER	2	2	
36	95875-06016	BOLT, FLANGE	4	4	
37	6AW-8339X-00	CLAMP, CORD	1	1	
38	90464-12001	CLAMP	1	1	
39	6AW-42767-00	BRACKET	1	1	
40	90109-06M86	BOLT	1	1	

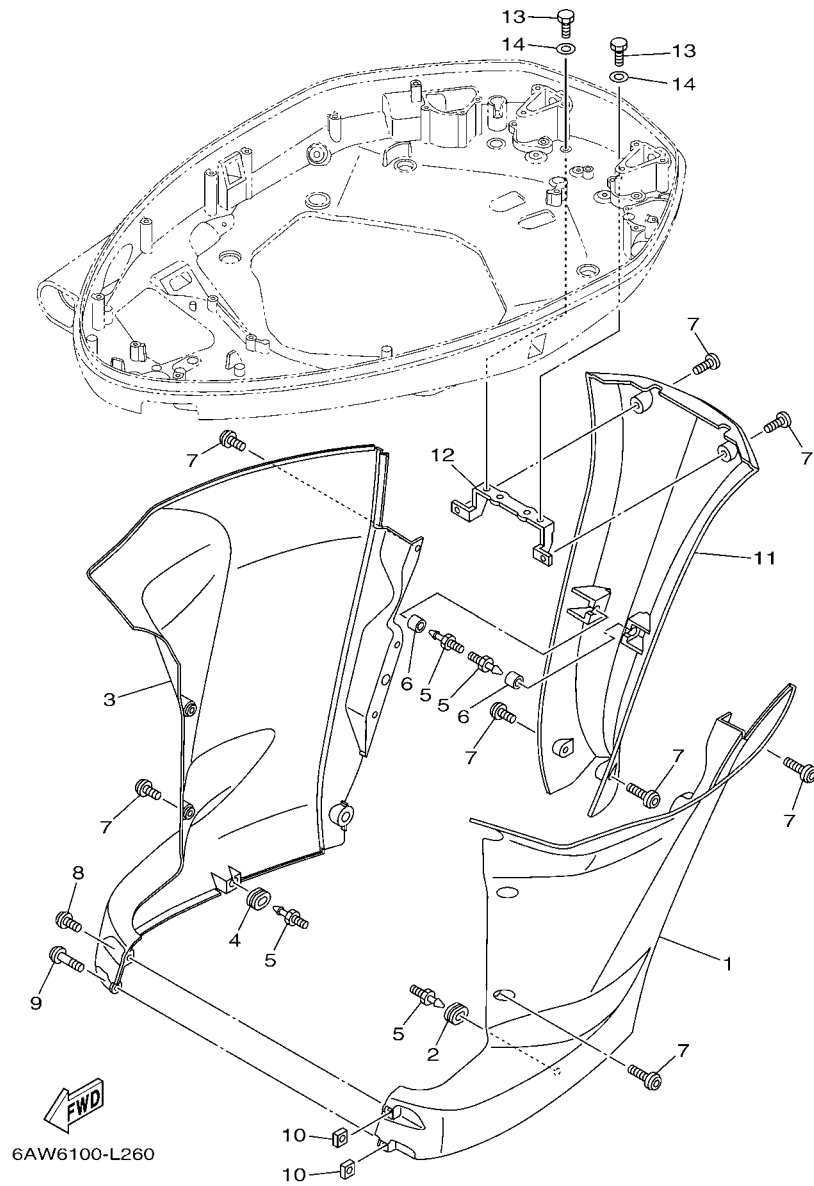
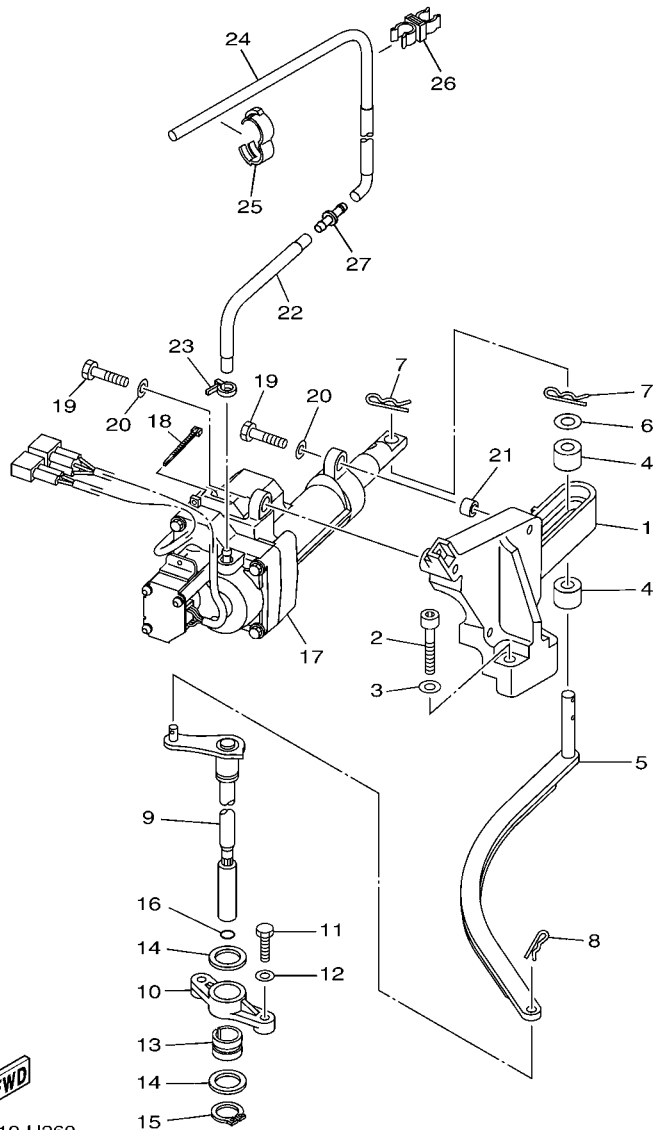


FIG. 26 BOTTOM COWLING 3

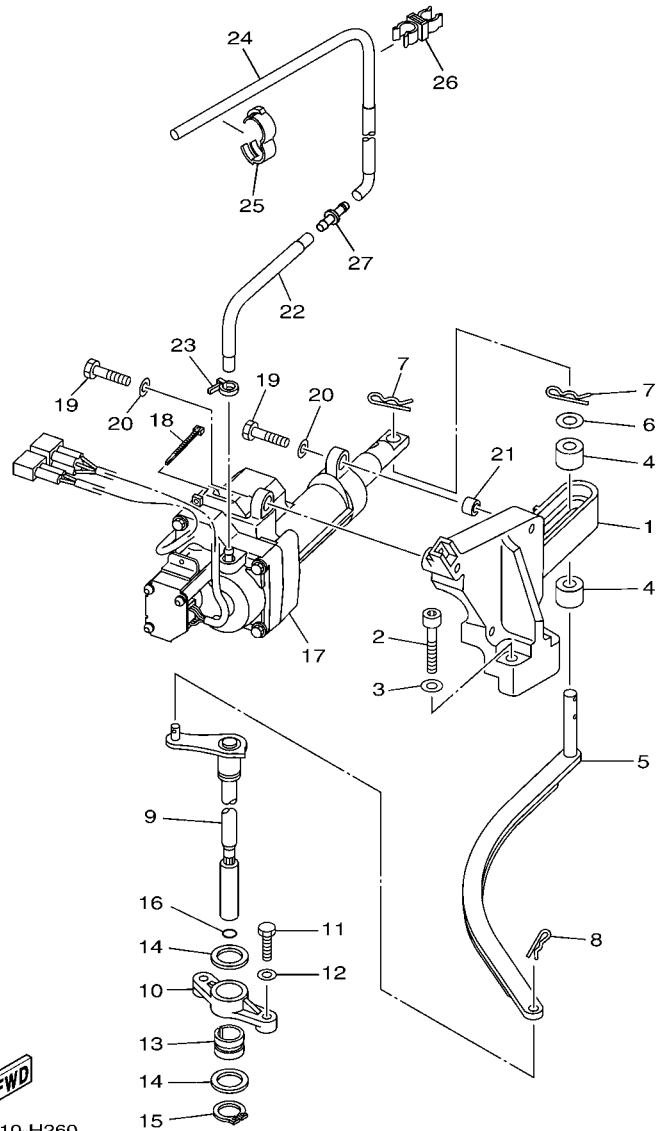
REF. NO.	PART NO.	DESCRIPTION	XCB	UCB	REMARKS
1	6AW-42741-00-8D	APRON	1	1	
2	90480-14M17	GROMMET	1	1	
3	6AW-42771-00-8D	APRON	1	1	
4	90480-14M17	GROMMET	1	1	
5	69J-42774-10	STAY, APRON 1	4	4	
6	90386-07001	BUSH	2	2	
7	90111-06111	BOLT,HEX. SOCKET BUTTON	14	14	
8	90111-06111	BOLT,HEX. SOCKET BUTTON	1	1	
9	90111-06113	BOLT,HEX. SOCKET BUTTON	1	1	
10	90173-06001	NUT, SQUARE	2	2	
11	6AW-45151-01-8D	COVER, UPPER CASING	1	1	
12	6AW-42775-00	STAY, APRON 2	1	1	
13	97095-06014	BOLT	2	2	
14	92995-06600	WASHER	2	2	



6BJ2110-H260

FIG. 27 CONTROL

REF. NO.	PART NO.	DESCRIPTION	XCB	UCB		REMARKS
1	6AW-44176-00	BRACKET	1	1		
2	90110-08085	BOLT, HEXAGON SOCKET HEAD	2	2		
3	92990-08600	WASHER, PLATE	2	2		
4	6AW-44122-00	BUSHING, SHIFT ROD LEVER	2	2		
5	6AW-44121-00	LEVER, SHIFT ROD	1	1		
6	90201-11008	WASHER, PLATE	1	1		
7	90468-180A0	CLIP	2	2		
8	90468-18008	CLIP	1	1		
9	6AW-44120-00	HANDLE GEAR SHIFT ASSY	1			X(25.1")
	6AW-44120-10	HANDLE GEAR SHIFT ASSY		1		U(30.1")
10	6AW-44118-00	BRACKET	1	1		
11	97095-06025	BOLT	2	2		
12	92995-06600	WASHER	2	2		
13	90380-19001	BUSH, SOLID	1	1		
14	90202-19001	WASHER, PLATE	2	2		
15	93410-19088	CIRCLIP	1	1		
16	93210-09165	O-RING	1	1		
17	6AW-4820A-11	ACTUATOR UNIT	1	1		
18	90465-11M10	CLAMP	1	1		
19	97080-08030	BOLT	4	4		
20	92900-08600	WASHER	4	4		
21	90387-08M31	COLLAR	2	2		
22	6AW-24314-10	PIPE 4	1	1		
23	90465-11M10	CLAMP	1	1		
24	6AW-24314-00	PIPE 4	1	1		
25	90464-16001	CLAMP	1	1		
26	90464-10M59	CLAMP	1	1		

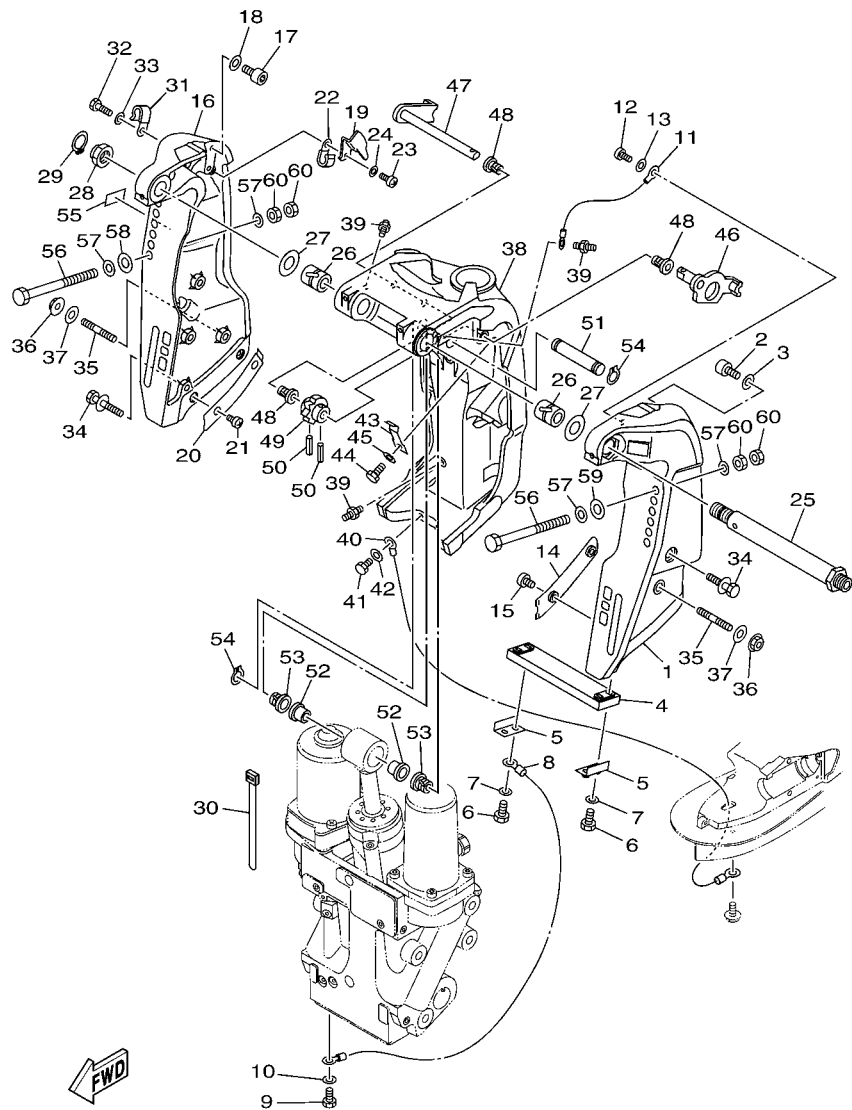


FWD

6BJ2110-H260

FIG. 27 CONTROL

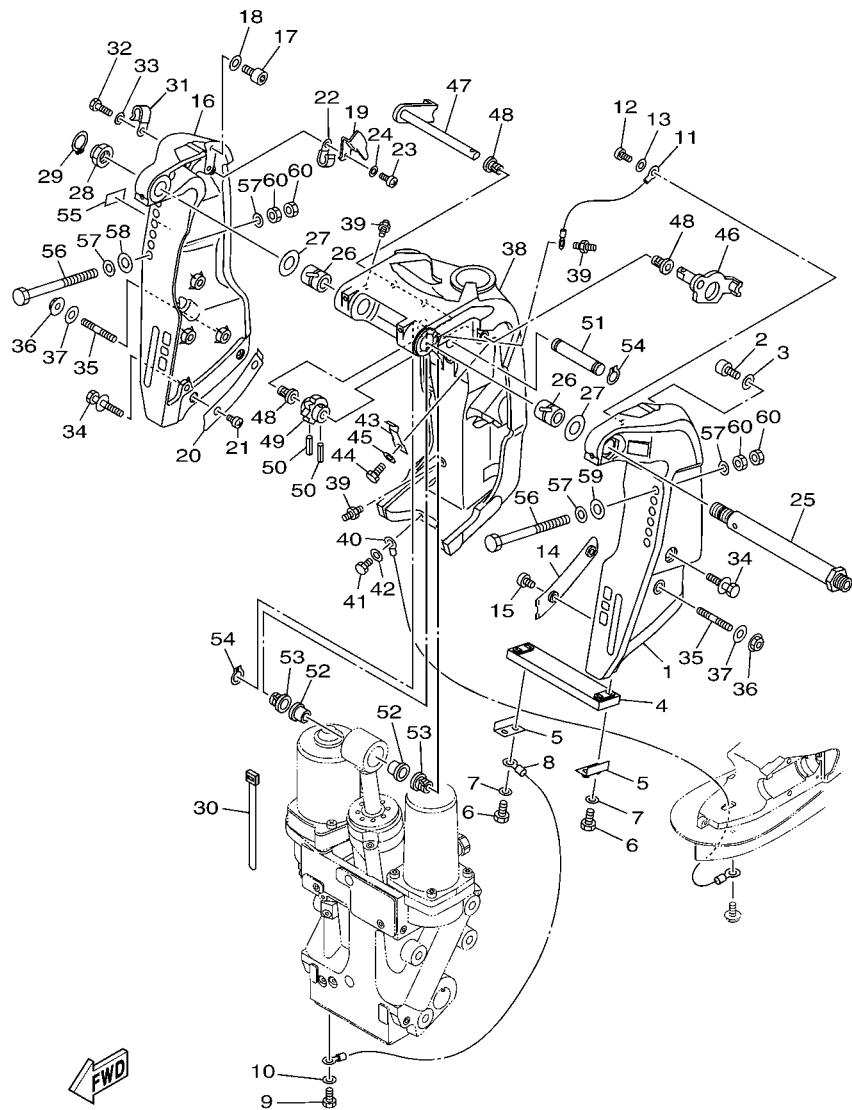
REF. NO.	PART NO.	DESCRIPTION	XCB	UCB		REMARKS
27	6G8-24376-00	PIPE, JOINT 1	1	1		



6AW4100-K280

FIG. 28 BRACKET 1

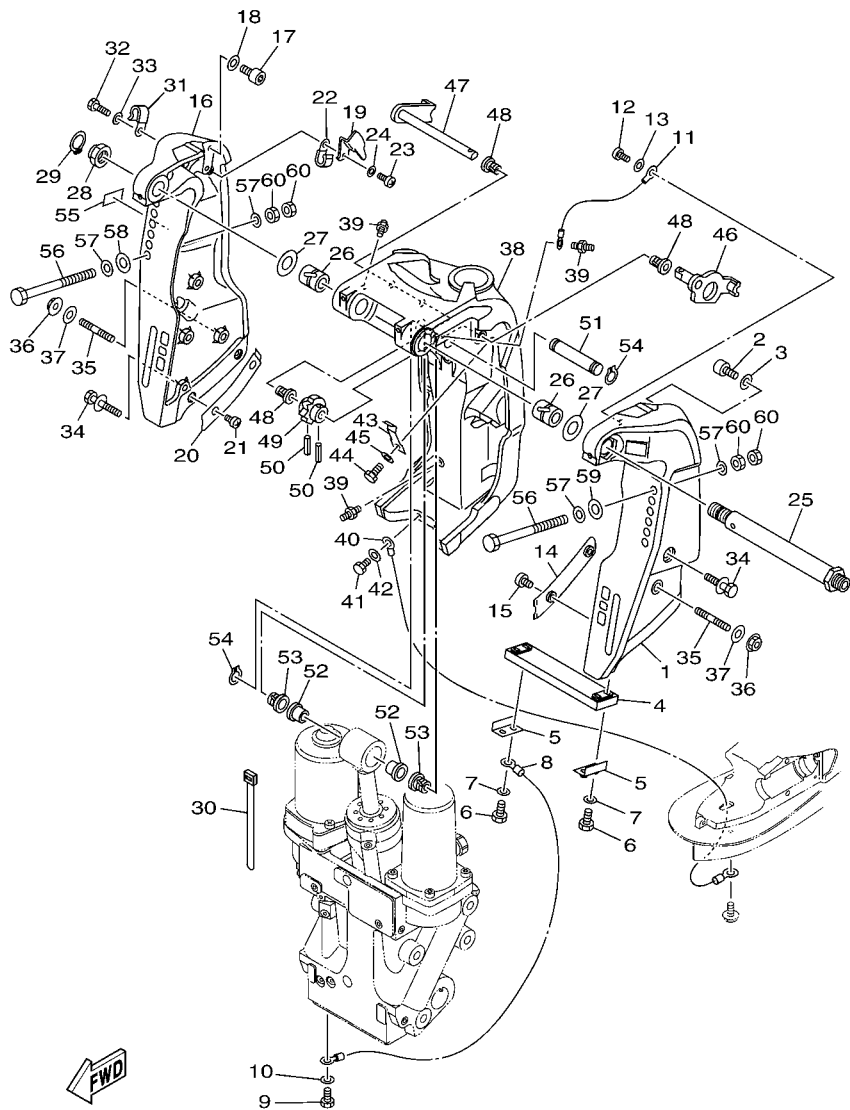
REF. NO.	PART NO.	DESCRIPTION	XCB	UCB	REMARKS
1	6AW-43111-00-8D	BRACKET, CLAMP 1	1	1	
2	91314-10020	BOLT, HEXAGON SOCKET HEAD	1	1	
3	90201-10049	WASHER, PLATE	1	1	
4	6AW-45251-00	ANODE	1	1	
5	6G5-44526-00	PLATE	2	2	
6	97095-06030	BOLT	4	4	
7	92995-06600	WASHER	4	4	
8	6H1-82148-00	WIRE, LEAD 4	1	1	
9	97095-06010	BOLT	1	1	
10	92995-06600	WASHER	1	1	
11	6H1-82148-00	WIRE, LEAD 4	1	1	
12	97885-06012	SCREW, PAN HEAD	1	1	
13	92995-06600	WASHER	1	1	
14	61A-43132-00	WASHER, FRICTION	1	1	
15	97885-06010	SCREW, PAN HEAD	2	2	
16	6AW-43112-00-8D	BRACKET, CLAMP 2	1	1	
17	91314-10020	BOLT, HEXAGON SOCKET HEAD	1	1	
18	90201-10049	WASHER, PLATE	1	1	
19	6AW-43113-00	PLATE, CLAMP BRACKET	1	1	
20	61A-43133-00	WASHER, FRICTION	1	1	
21	97885-06010	SCREW, PAN HEAD	2	2	
22	90465-08M83	CLAMP	1	1	
23	97885-06012	SCREW, PAN HEAD	1	1	
24	92995-06600	WASHER	1	1	
25	6R3-43131-10	BOLT, CLAMP BRACKET	1	1	
26	90386-25003	BUSH	2	2	
27	90201-26014	WASHER, PLATE	2	2	



6AW4100-K280

FIG. 28 BRACKET 1

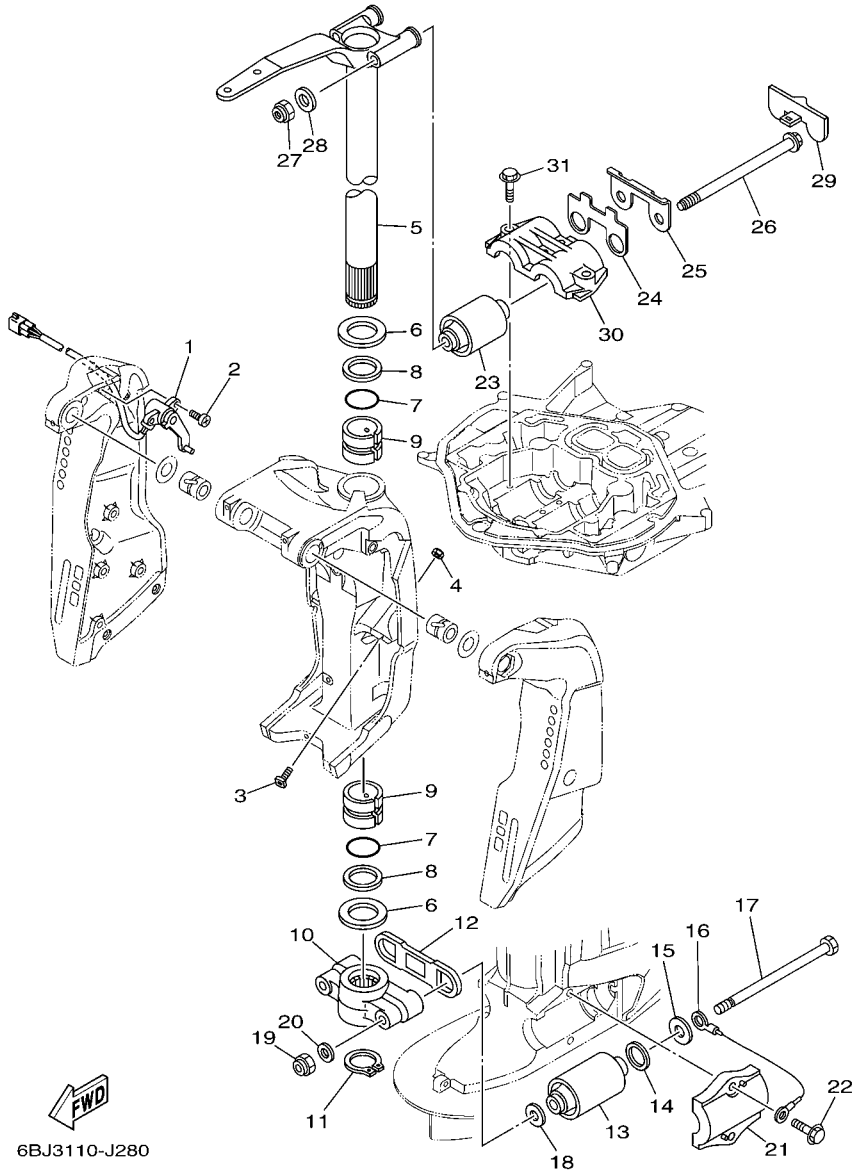
REF. NO.	PART NO.	DESCRIPTION	XCB	UCB		REMARKS
28	90185-22007	NUT, SELF-LOCKING	1	1		
29	93410-21089	CIRCLIP	1	1		
30	90465-11M10	CLAMP	3	3		
31	90465-08M83	CLAMP	1	1		
32	97095-06014	BOLT	1	1		
33	92995-06600	WASHER	1	1		
34	90119-10039	BOLT, WITH WASHER	6	6		
35	90116-10047	BOLT, STUD	2	2		
36	95780-10300	NUT, FLANGE	2	2		
37	90201-10048	WASHER, PLATE	2	2		
38	6AW-43311-00-8D	BRACKET, SWIVEL 1	1	1		
39	93700-06M03	NIPPLE, GREASE	3	3		
40	6E5-82147-00	WIRE, LEAD 5	1	1		
41	97095-06010	BOLT	1	1		
42	92995-06600	WASHER	1	1		
43	6AW-44116-00	SPRING	1	1		
44	97095-06010	BOLT	1	1		
45	92995-06600	WASHER	1	1		
46	6AW-43181-01	LEVER, TILT STOP 1	1	1		
47	6AW-43185-01	LEVER, TILT STOP 2	1	1		
48	90386-10M16	BUSH	3	3		
49	6AW-43148-00	COLLAR, DISTANCE	1	1		
50	91690-30020	PIN, SPRING	2	2		
51	6AW-43126-01	PIN, UPPER SHOCK MOUNT	1	1		
52	90386-18M63	BUSH	2	2		
53	90386-18M14	BUSH	2	2		
54	93410-18M05	CIRCLIP	2	2		



6AW4100-K280

FIG. 28 BRACKET 1

REF. NO.	PART NO.	DESCRIPTION	XCB	UCB	REMARKS
55	63V-82377-50	LABEL (SPARK,IGNITION)	1	1	
56	90101-12031	BOLT (150MM)	6	6	
	90101-12036	BOLT (170MM)	2	2	AP
57	90201-12060	WASHER, PLATE	12	12	
58	90201-12426	WASHER, PLATE	2	2	
59	90201-13M19	WASHER, PLATE	4	4	
60	95380-12600	NUT	12	12	



6BJ3110-J280

FIG. 29 BRACKET 2

REF. NO.	PART NO.	DESCRIPTION	XCB	UCB		REMARKS
1	6AW-83672-00	TRIM SENDER	1	1		
2	97885-06016	SCREW, PAN HEAD	2	2		
3	6AW-43376-00	BOLT, THRUST RECEIVER	2	2		
4	95780-10300	NUT, FLANGE	2	2		
5	6AW-42510-01-8D	STEERING BRACKET ASSY	1	1		
6	90201-46008	WASHER, PLATE	2	2		
7	93210-43001	O-RING	2	2		
8	90202-45001	WASHER, PLATE	2	2		
9	90386-45002	BUSH	2	2		
10	6AW-44551-00-CA	HOUSING, LOWER MOUNT RUBBER 1	1	1		
11	93410-44087	CIRCLIP	1	1		
12	6AW-44575-00	DAMPER, LOWER MOUNT RUBBER	1	1		
13	6AW-44555-00	MOUNT DAMPER, LOWER SIDE	2	2		
14	90202-32M19	WASHER, PLATE	2	2		
15	90201-16016	WASHER, PLATE	2	2		
16	6AW-82149-00	WIRE, LEAD 3	1	1		
17	90101-14004	BOLT	2	2		
18	90201-15M58	WASHER, PLATE	2	2		
19	90185-14M00	NUT, SELF-LOCKING	2	2		
20	92995-14600	WASHER	2	2		
21	6AW-44552-00-CA	HOUSING, LOWER MOUNT RUBBER 2	2	2		
22	90119-10024	BOLT, WITH WASHER	4	4		
23	6AW-44514-01-94	MOUNT DAMPER, UPPER SIDE	2	2		
24	6AW-44532-00	STOPPER, UPPER MOUNT	1	1		
25	6AW-44526-00	PLATE	1	1		
26	90105-16003	BOLT, FLANGE	2	2		
27	90185-16008	NUT, SELF-LOCKING	2	2		

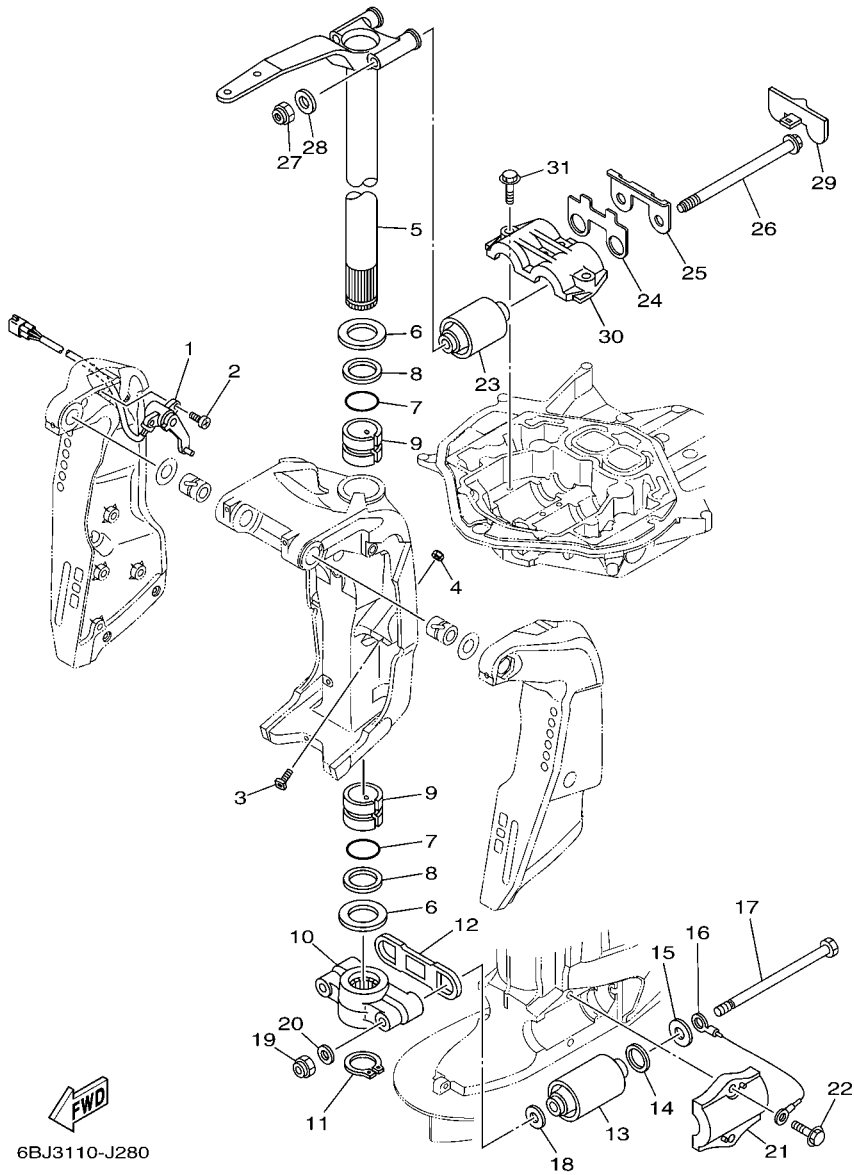


FIG. 29 BRACKET 2

REF. NO.	PART NO.	DESCRIPTION	XCB	UCB			REMARKS
28	90201-16030	WASHER, PLATE	2	2			
29	6AW-44533-00	DAMPER, UPPER MOUNT RUBBER	1	1			
30	6AW-44511-01-CA	COVER, UPPER MOUNT	1	1			
31	90119-10024	BOLT, WITH WASHER	4	4			

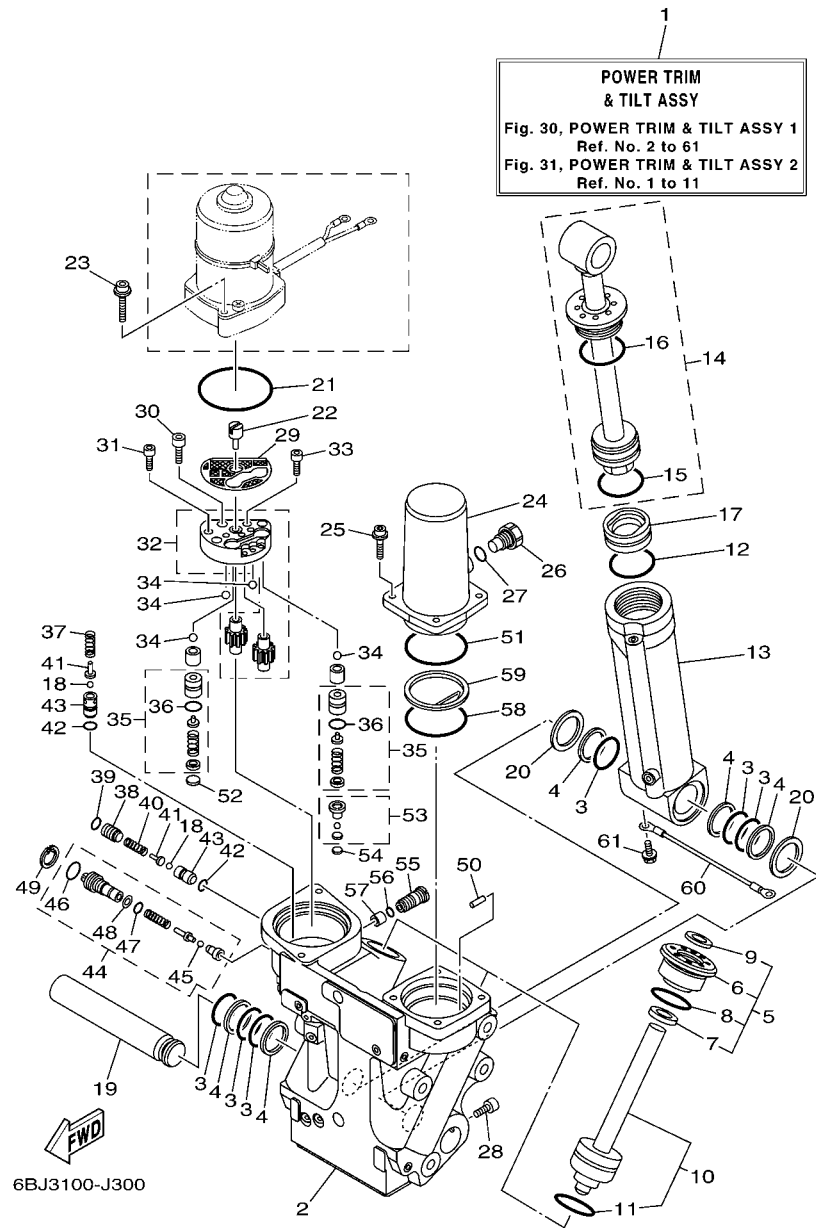


FIG. 30 POWER TRIM & TILT ASSY 1

REF. NO.	PART NO.	DESCRIPTION	XCB	UCB	REMARKS
1	6AW-43800-02	POWER TRIM & TILT ASSY	1	1	
2	6AW-43825-01	HOUSING, TRIM & TILT	1	1	
3	6AW-4389H-00	O-RING	6	6	
4	6AW-43871-00	RING, BACK UP	5	5	
5	6AW-4380R-00	CYLINDER END SUB ASSY	2	2	
6	6AW-43821-00	.SCREW, TRIM CYLINDER END	1	1	
7	6AW-4384J-00	.SEAL, TRIM DOWN	1	1	
8	6E5-43862-00	.O-RING	1	1	
9	6AW-43822-00	.SEAL, TRIM DUST	1	1	
10	6AW-43820-01	TRIM PISTON SUB ASSY	2	2	
11	6G5-43864-00	.O-RING	1	1	
12	6E5-43862-00	O-RING	1	1	
13	6AW-43813-00	CYLINDER, TILT	1	1	
14	6AW-43810-01	TILT PISTON SUB ASSY	1	1	
15	6E5-43862-00	.O-RING	1	1	
16	64E-43866-00	.O-RING	1	1	
17	6AW-43814-00	PISTON, FREE	1	1	
18	64E-43858-00	BALL	2	2	
19	6AW-4381A-00	SHAFT	1	1	
20	6AW-4387G-00	WASHER	2	2	
21	64E-43868-00	O-RING	1	1	
22	64E-43831-00	CONNECTOR, SHAFT	1	1	
23	6AW-43879-00	SCREW, WITH WASHER	2	2	
24	6AW-43828-00	BODY, RESERVOIR	1	1	
25	6AW-43887-00	BOLT	4	4	
26	6AW-43829-00	PLUG, RESERVOIR	1	1	
27	6AW-43897-00	O-RING	1	1	

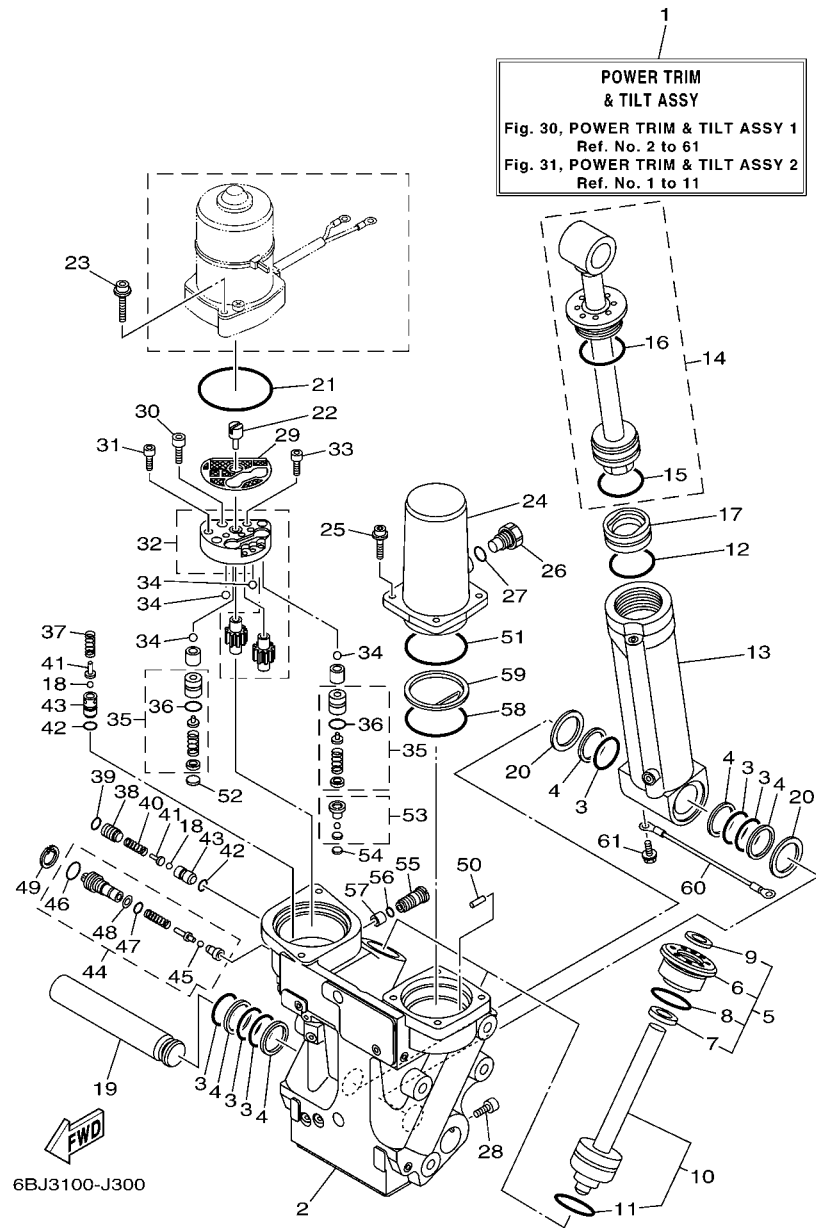


FIG. 30 POWER TRIM & TILT ASSY 1

REF. NO.	PART NO.	DESCRIPTION	XCB	UCB		REMARKS
28	6AW-4388E-00	BOLT ,SCREW	1	1		
29	64E-43817-11	FILTER 2	1	1		
30	6AW-43878-00	BOLT, SOCKET	4	4		
31	6AW-43888-00	BOLT, SOCKET	3	3		
32	6AW-43830-00	GEAR PUMP ASSY	1	1		
33	6AW-43886-00	BOLT	1	1		
34	6AW-43858-00	BALL	4	4		
35	6AW-43802-00	VALVE SUB ASSY	2	2		
36	6E5-43896-00	.O-RING	1	1		
37	6AW-43856-00	SPRING, DOWN RELIEF	1	1		
38	6AW-4388J-00	PLUG 2	1	1		
39	6AW-43869-00	O-RING	1	1		
40	6AW-4384H-00	SPRING	1	1		
41	6AW-43844-00	PIN, VALVE SUPPORT	2	2		
42	6G5-43863-00	O-RING	2	2		
43	6AW-4382G-00	VALVE SEAT	2	2		
44	6AW-43860-01	MANUAL VALVE SUB-ASSY	1	1		
45	64E-43858-00	.BALL	1	1		
46	72X-85075-L0	.O-RING	1	1		
47	64E-4387A-00	.O-RING	1	1		
48	64E-43873-00	.RING, BACK UP	1	1		
49	6AW-43875-00	RING, SNAP	1	1		
50	6AW-4381G-00	PIN 1	1	1		
51	6AW-43861-00	O-RING	1	1		
52	6AW-43817-00	FILTER 2	1	1		
53	6AW-43809-00	SEAT VALVE COMP. 2	1	1		
54	64E-43816-00	FILTER 1	1	1		

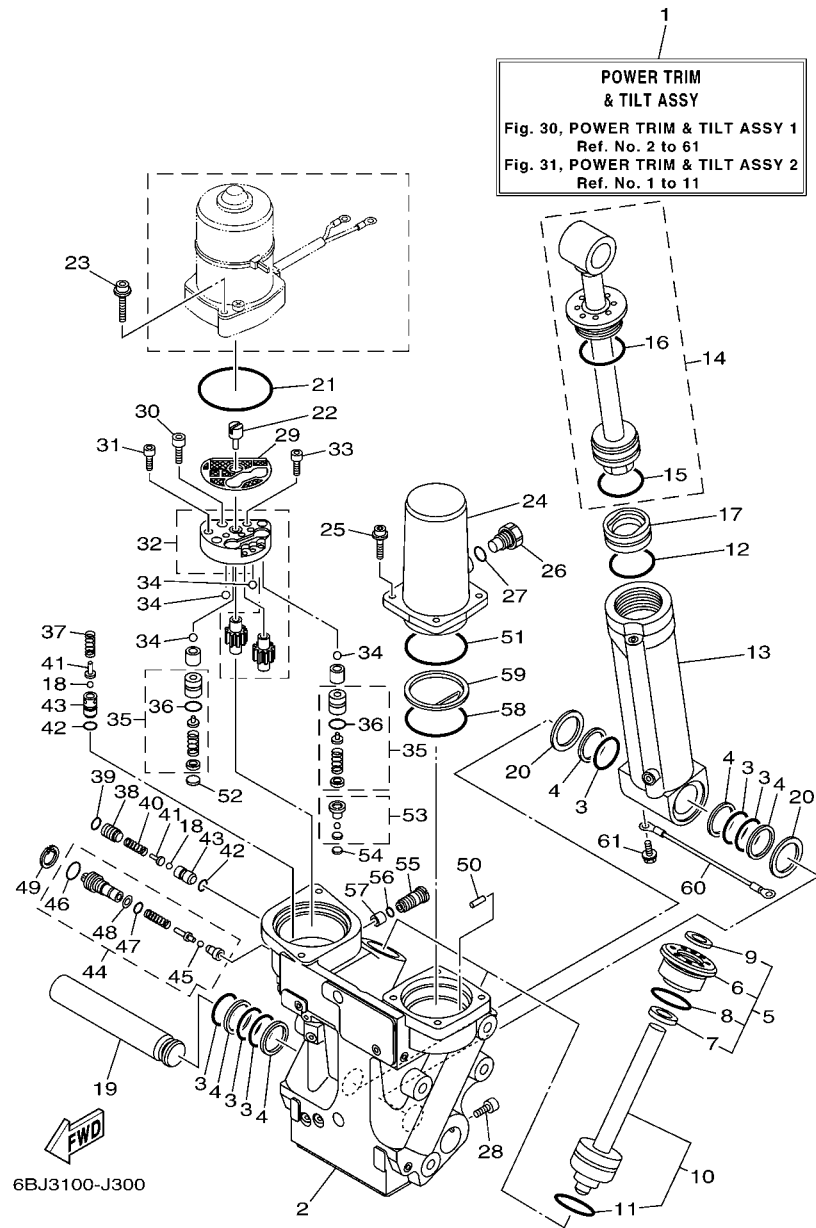
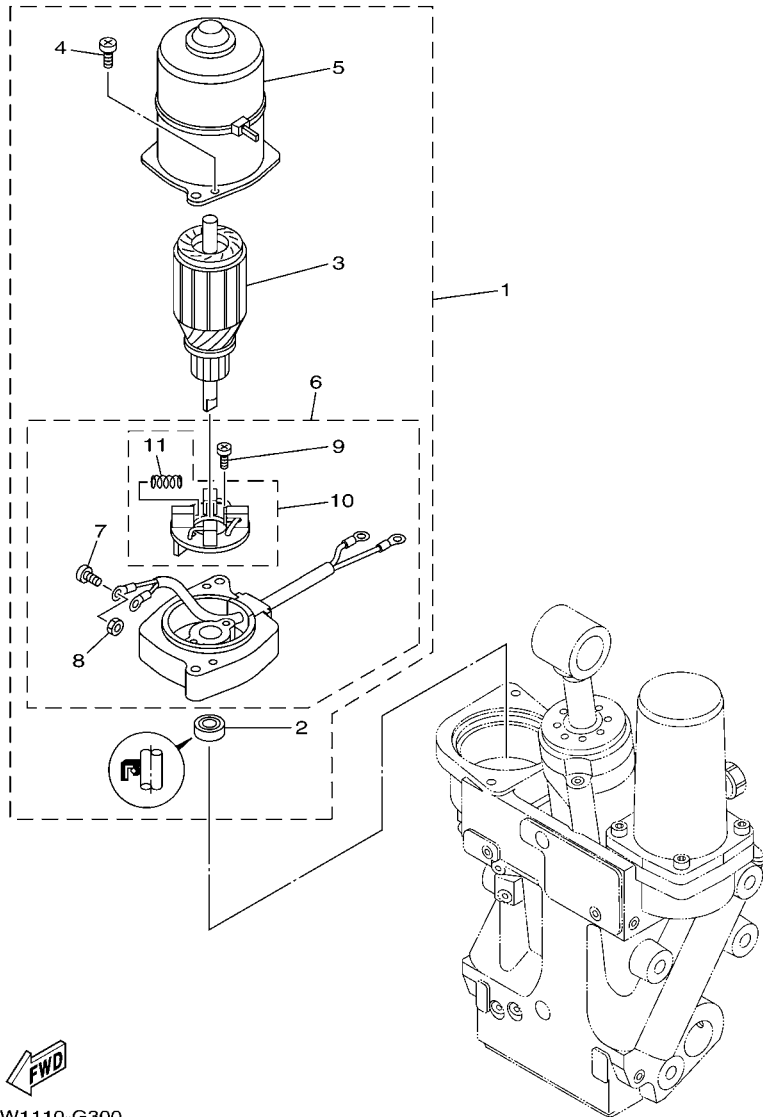


FIG. 30 POWER TRIM & TILT ASSY 1

REF. NO.	PART NO.	DESCRIPTION	XCB	UCB	REMARKS
55	6AX-4388J-00	PLUG 2	1	1	
56	64E-43865-00	O-RING	1	1	
57	6AW-4388H-00	PLUG	1	1	
58	6AW-4389J-00	O-RING	1	1	
59	6AW-43899-00	PLATE STOPPER	1	1	
60	6H1-82148-00	WIRE, LEAD 4	1	1	
61	97595-06510	BOLT, WITH WASHER	1	1	

FIG. 31 POWER TRIM & TILT ASSY 2



REF. NO.	PART NO.	DESCRIPTION	XCB	UCB	REMARKS
1	6AW-43880-01	MOTOR ASSY	1	1	
2	6AW-43882-00	.OIL SEAL	1	1	
3	6AW-43805-00	.ARMATURE ASSY	1	1	
4	6AW-43843-00	.SCREW	2	2	
5	6AW-43804-00	.STATOR ASSY	1	1	
6	6AW-43881-11	.FRAME, END	1	1	
7	6AX-43887-00	..BOLT	2	2	
8	6AW-43138-00	..NUT	2	2	
9	6AW-43842-00	..SCREW	2	2	
10	6AW-4380J-00	..HOLDER, BRUSH	1	1	
11	6AW-4386K-00	...SPRING, BRUSH	4	4	

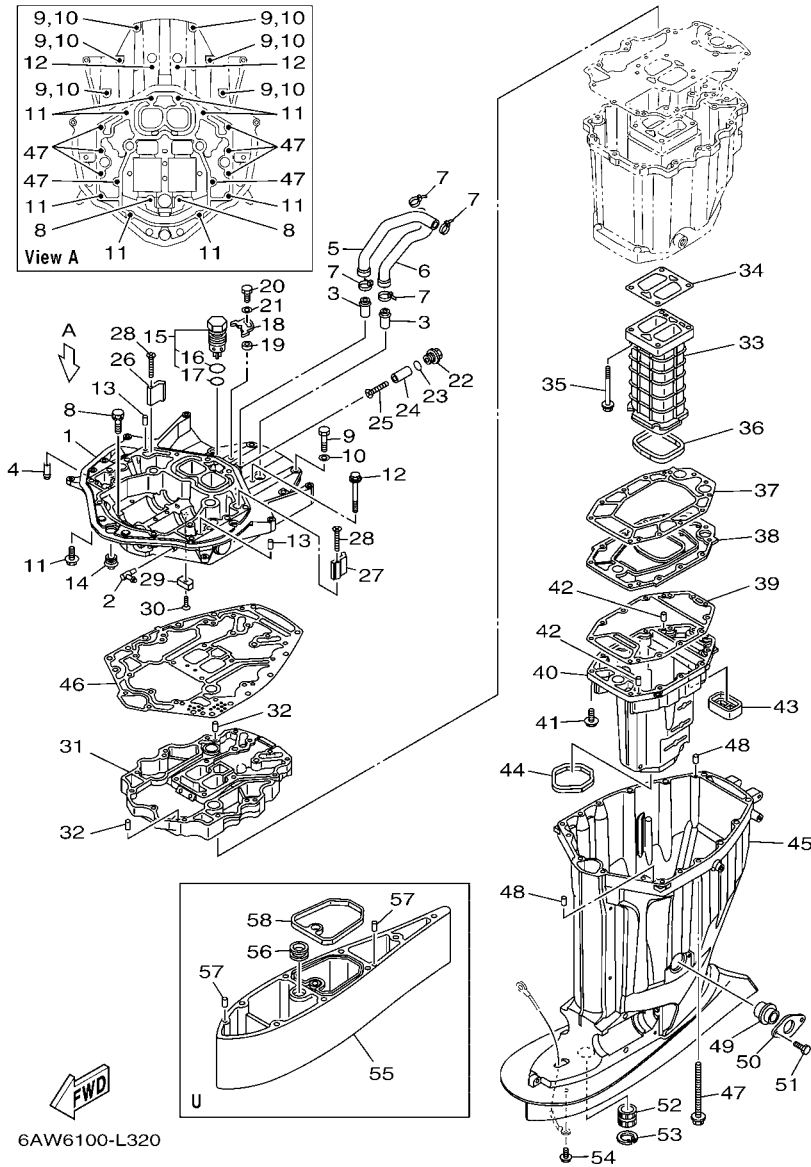


FIG. 32 UPPER CASING

REF. NO.	PART NO.	DESCRIPTION	XCB	UCB		REMARKS
1	6AW-41137-11-CA	GUIDE, EXHAUST	1	1		
2	6H1-11372-00	NIPPLE, HOSE	1	1		
3	6AW-1475G-00	PIPE 4	2	2		
4	6AW-1475J-00	PIPE	2	2		
5	6AW-1244H-00	HOSE 5	1	1		
6	6AW-1243F-00	HOSE,3	1	1		
7	90465-11M59	CLAMP	4	4		
8	90119-08102	BOLT, WITH WASHER	2	2		
9	97075-10045	BOLT	6	6		
10	92995-10600	WASHER	6	6		
11	90119-10040	BOLT, WITH WASHER	8	8		
12	97575-10585	BOLT, WITH WASHER	2	2		
13	93608-16M16	PIN, DOWEL	2	2		
14	6AW-42724-00	GROMMET	1	1		
15	6AW-11371-10	PRESSURE CONTROL VALVE ASSY	1	1		
16	93210-347A1	.O-RING	1	1		
17	93210-28543	.O-RING	1	1		
18	69J-12233-00	PLATE, GUIDE STOPPER 1	1	1		
19	90387-06037	COLLAR	1	1		
20	97095-06020	BOLT	1	1		
21	92995-06600	WASHER	1	1		
22	6AW-11197-00	PLUG, BLIND	1	1		
23	93210-19758	O-RING	1	1		
24	6AW-1132S-00	ANODE 7	1	1		
25	98780-05550	SCREW, FLAT HEAD	1	1		
26	6AW-1132T-00	ANODE 8	1	1		
27	6AW-1132U-00	ANODE 9	1	1		

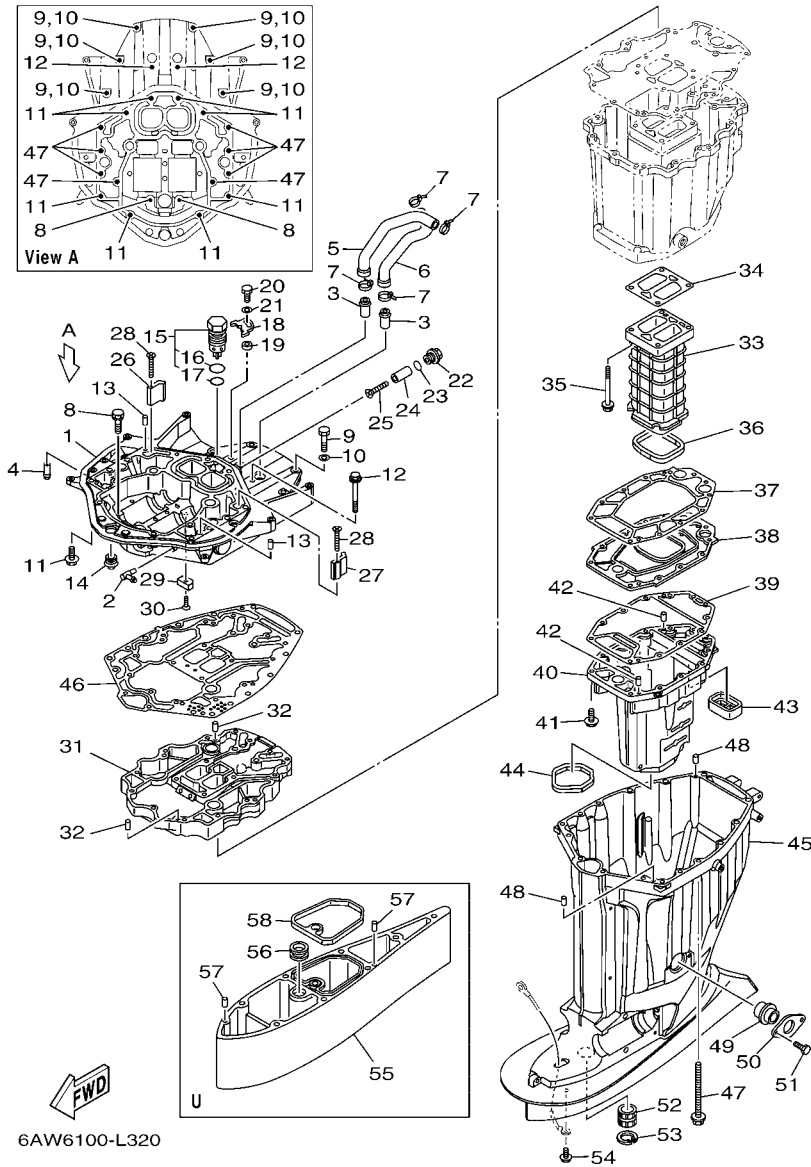


FIG. 32 UPPER CASING

REF. NO.	PART NO.	DESCRIPTION	XCB	UCB			REMARKS
28	98780-05550	SCREW, FLAT HEAD	2	2			
29	63P-11325-11	ANODE	1	1			
30	90151-06M02	SCREW, COUNTERSUNK	1	1			
31	6AW-41131-01-CA	MANIFOLD, EXT. 1	1	1			
32	93608-16M16	PIN, DOWEL	2	2			
33	6AW-41132-00-9S	MANIFOLD, EXHAUST	1	1			
34	6AW-41134-02	GASKET, EXHAUST MANIFOLD	1	1			
35	90119-08117	BOLT, WITH WASHER	4	4			
36	6AW-41138-00	SEAL, EXT. 1	1	1			
37	6AW-41135-00	GASKET, EXHAUST MANIFOLD	1	1			
38	6AW-45181-01-9S	PLATE	1	1			
39	6AW-41136-00	GASKET, EXHAUST MANIFOLD 4	1	1			
40	6AW-14711-00-9S	MUFFLER 1	1	1			
41	97575-08535	BOLT, WITH WASHER	12	12			
42	93606-19M23	PIN, DOWEL	2	2			
43	6AW-45127-00	SEAL	1	1			
44	69J-45123-00	GASKET, MUFFLER	1	1			
45	6AW-45111-10-8D	CASING, UPPER	1	1			
46	6AW-45113-00	GASKET, UPPER CASING	1	1			
47	90119-10007	BOLT, WITH WASHER	8	8			
48	93608-16M16	PIN, DOWEL	2	2			
49	69J-15316-00	DAMPER 1	1	1			
50	69J-45152-10	COVER, UPPER CASING 2	1	1			
51	97095-06014	BOLT	2	2			
52	6AW-45318-00	BUSHING, DRIVE SHAFT	1	1			
53	93420-38091	CIRCLIP	1	1			
54	95895-06010	BOLT, FLANGE	1	1			

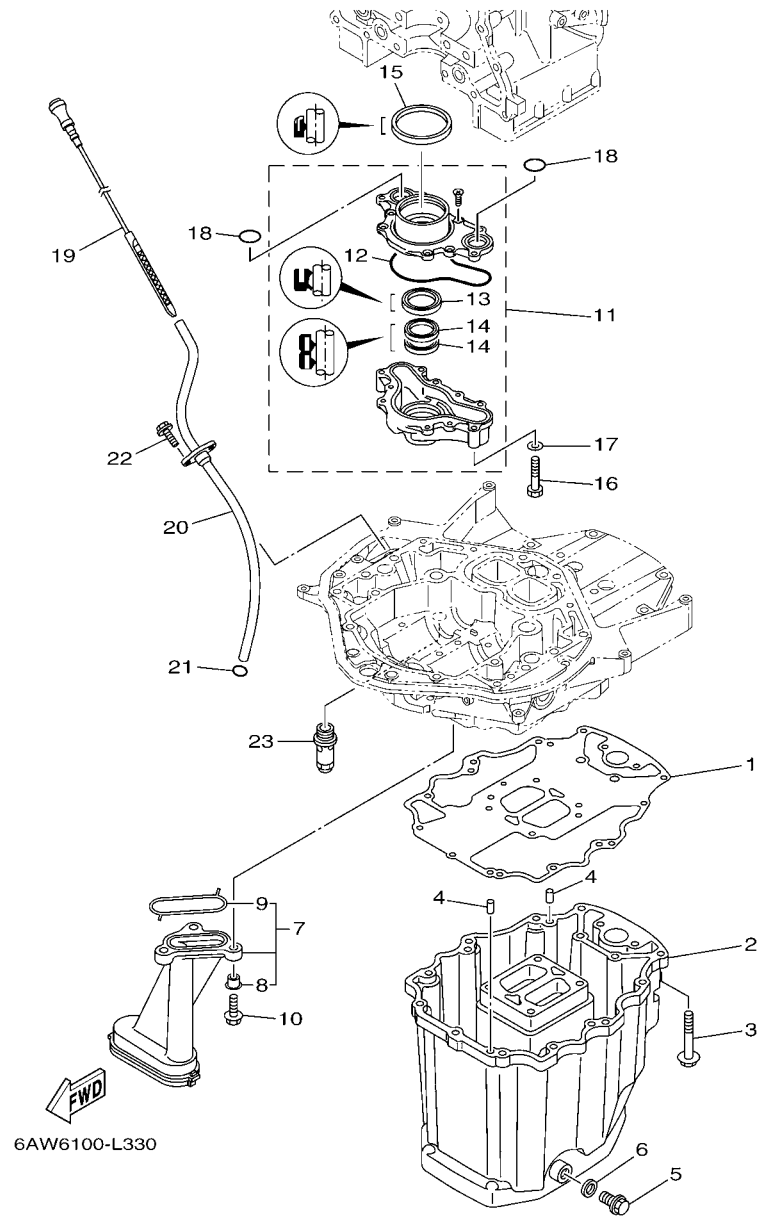


FIG. 33 OIL PAN

REF. NO.	PART NO.	DESCRIPTION	XCB	UCB	REMARKS
1	6AW-15312-00	GASKET, OIL PAN	1	1	
2	6AW-15311-00-CA	OIL PAN	1	1	
3	97575-08570	BOLT, WITH WASHER	13	13	
4	93608-16M16	PIN, DOWEL	2	2	
5	90340-14M06	PLUG, STRAIGHT SCREW	1	1	
6	90430-14M09	GASKET	1	1	
7	6AW-13411-00	STRAINER, OIL	1	1	
8	90387-06263	.COLLAR	3	3	
9	6AW-13415-00	.SEAL, OIL STRAINER	1	1	
10	95812-06025	BOLT, FLANGE	3	3	
11	6AW-13300-02	OIL PUMP ASSY	1	1	
12	6CB-13329-00	.GASKET, PUMP COVER	1	1	
13	6AW-13119-00	.OIL SEAL	1	1	
14	6AW-13631-00	.OIL SEAL	2	2	
15	69J-11355-00	SEAL, CYLINDER 1	1	1	
16	97075-06050	BOLT	4	4	
17	92995-06600	WASHER	4	4	
18	93210-26658	O-RING	2	2	
19	6AW-15362-01	PLUG, OIL LEVEL	1	1	
20	6AW-15377-00	GUIDE, INLET	1	1	
21	93210-19MJ3	O-RING	1	1	
22	95875-06016	BOLT, FLANGE	2	2	
23	6AW-13490-01	RELIEF VALVE ASSY	1	1	

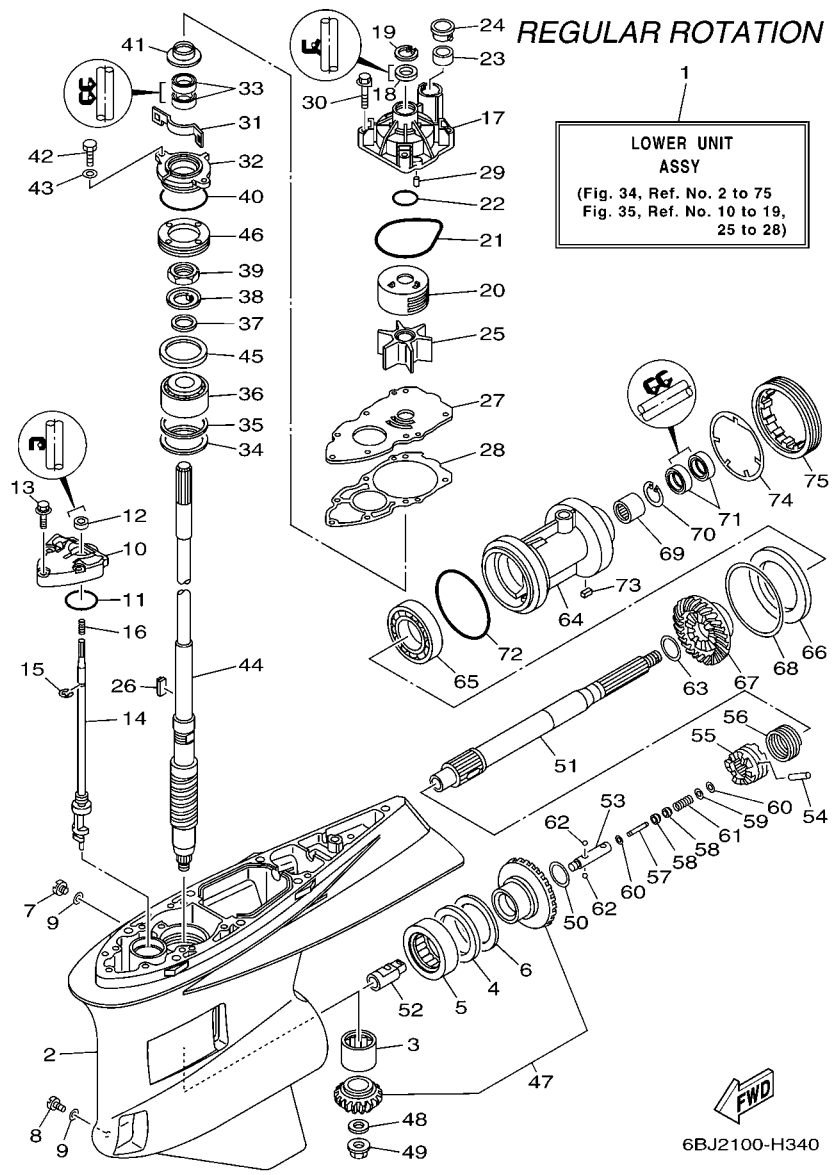


FIG. 34 LOWER CASING & DRIVE 1

REF. NO.	PART NO.	DESCRIPTION	XCB	UCB	REMARKS
1	6AW-45300-20-8D	LOWER UNIT ASSY	1		X(25.1"),RH
	6AW-45300-30-8D	LOWER UNIT ASSY		1	U(30.1"),RH
2	6AW-45311-01-8D	CASING, LOWER	1	1	
3	93311-93590	BEARING	1	1	
4	93340-67011	BEARING	1	1	
5	93390-00031	BEARING	1	1	
6	6AW-45567-00	SHIM (T:2.00MM)	1	1	UR
	6AW-45567-10	SHIM (T:2.03MM)	1	1	UR
	6AW-45567-20	SHIM (T:2.06MM)	1	1	UR
	6AW-45567-30	SHIM (T:2.09MM)	1	1	UR
	6AW-45567-40	SHIM (T:2.12MM)	1	1	UR
	6AW-45567-50	SHIM (T:2.15MM)	1	1	UR
7	90340-08002	PLUG, STRAIGHT SCREW	1	1	
8	688-45341-10	PLUG, DRAIN	1	1	
9	90430-08020	GASKET	2	2	
10	6AW-45321-00	PLATE	1	1	
11	93210-48214	O-RING	1	1	
12	93101-12M70	OIL SEAL	1	1	
13	90119-08M26	BOLT, WITH WASHER	3	3	
14	6AW-44150-00	SHIFT CAM ASSY	1	1	
15	99002-10600	CLIP	1	1	
16	90501-127J4	SPRING, COMPRESSION	1	1	
17	6AW-44311-00	HOUSING, WATER PUMP	1	1	
18	93109-24001	OIL SEAL	1	1	
19	93420-35085	CIRCLIP	1	1	
20	6AW-44322-00	INSERT, CARTRIDGE	1	1	
21	93210-94003	O-RING	1	1	

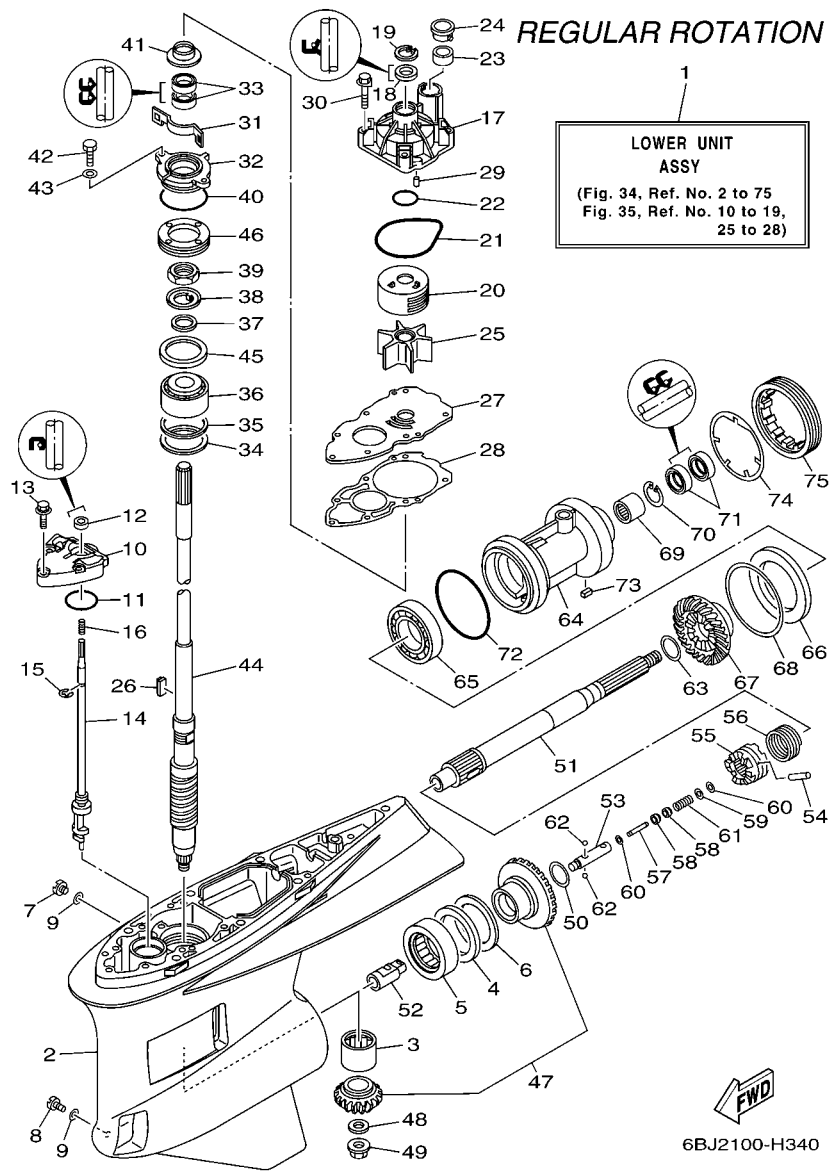
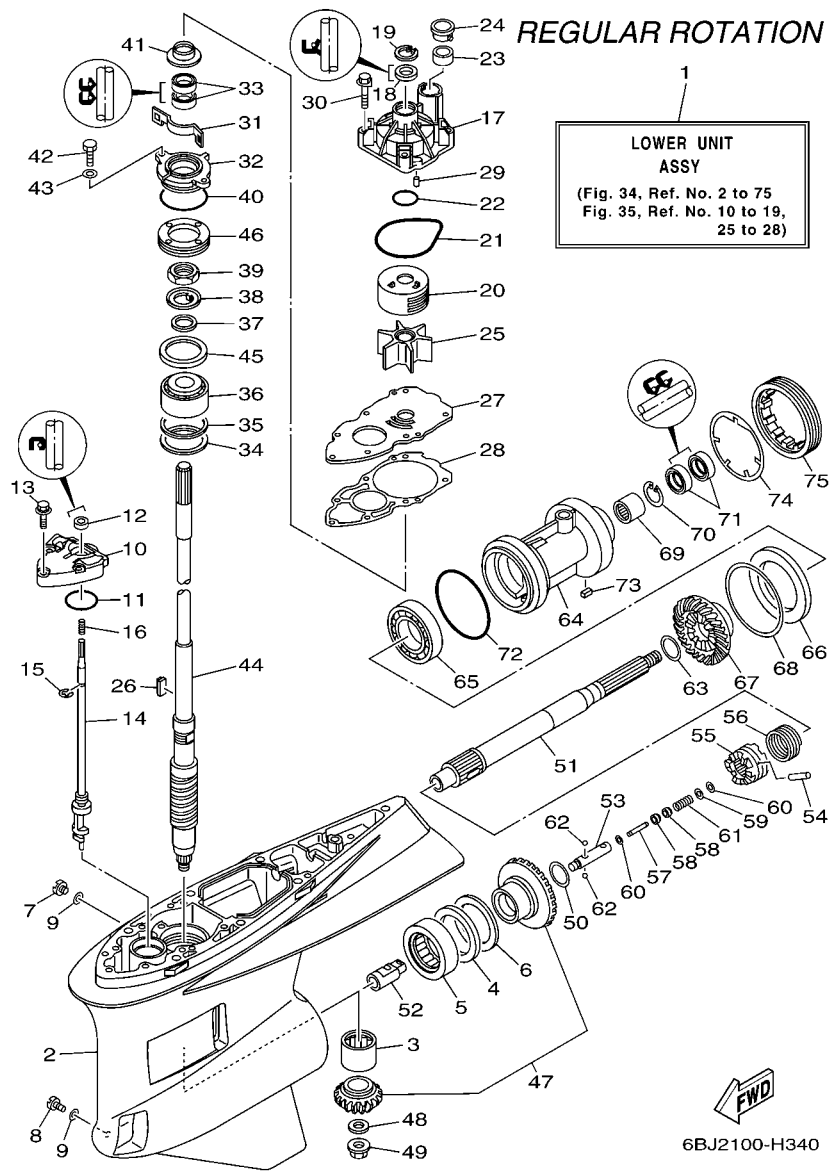


FIG. 34 LOWER CASING & DRIVE 1

REF. NO.	PART NO.	DESCRIPTION	XCB	UCB		REMARKS
22	93210-37160	O-RING	1	1		
23	6AW-44365-00	DAMPER, WATER SEAL 1	1	1		
24	6AW-44312-00	COVER, WATER PUMP HOUSING	1	1		
25	6AW-44352-00	IMPELLER	1	1		
26	6AW-44336-00	KEY	1	1		
27	6AW-44323-00	OUTER PLATE, CARTRIDGE	1	1		
28	6AW-44315-00	GASKET, WATER PUMP	1	1		
29	93606-12019	PIN, DOWEL	2	2		
30	90119-08M14	BOLT, WITH WASHER	4	4		
31	6AW-45723-00	PLATE, SEAL	1	1		
32	6AW-45335-00-CA	HOUSING, OIL SEAL	1	1		
33	93101-28004	OIL SEAL	2	2		
34	90201-68008	WASHER, PLATE	1	1		
35	6AW-45587-00	SHIM (T:0.10MM)	1	1		UR
	6AW-45587-10	SHIM (T:0.12MM)	1	1		UR
	6AW-45587-20	SHIM (T:0.15MM)	1	1		UR
	6AW-45587-30	SHIM (T:0.18MM)	1	1		UR
	6AW-45587-40	SHIM (T:0.30MM)	1	1		UR
	6AW-45587-50	SHIM (T:0.40MM)	1	1		UR
	6AW-45587-60	SHIM (T:0.50MM)	1	1		UR
36	93399-99962	BEARING	1	1		
37	90201-301U7	WASHER, PLATE	1	1		
38	90214-30003	WASHER, CLAW	1	1		
39	90170-30M18	NUT	1	1		
40	93210-69MG6	O-RING	1	1		
41	6AW-45344-00	COVER, OIL SEAL	1	1		
42	97095-08020	BOLT	2	2		



6BJ2100-H340

FIG. 34 LOWER CASING & DRIVE 1

REF. NO.	PART NO.	DESCRIPTION	XCB	UCB	REMARKS
43	92995-08600	WASHER	2	2	
44	6AW-45501-00	DRIVE SHAFT COMP.	1		X(25.1")
	6AW-45501-10	DRIVE SHAFT COMP.		1	U(30.1")
45	6T5-45539-00	SPACER 2	1	1	
46	6AW-45244-00	NUT	1	1	
47	6AW-45550-00	GEAR SET	1	1	
48	90201-18023	WASHER, PLATE	1	1	
49	90179-18009	NUT	1	1	
50	90201-35015	WASHER, PLATE	1	1	
51	6AW-45611-00	SHAFT, PROPELLER	1	1	
52	6AW-45641-00	SHIFTER	1	1	
53	61A-45634-01	SLIDE, SHIFT	1	1	
54	6AW-45632-00	PIN, CROSS	1	1	
55	6AW-45631-00	CLUTCH, DOG	1	1	
56	6AW-45633-00	RING, CROSS PIN	1	1	
57	6H1-45668-00	SHAFT, FREE 1	1	1	
58	61A-45635-00	PLUNGER, SHIFT	2	2	
59	90201-02M00	WASHER, PLATE	1	1	
60	90183-02M03	NUT, SPRING	2	2	
61	90501-10M77	SPRING, COMPRESSION	1	1	
62	93501-04011	BALL	2	2	
63	6AW-45612-00	WASHER, THRUST	1	1	
64	6AW-45332-00	HOUSING, BEARING	1	1	
65	93306-21101	BEARING	1	1	
66	6AW-45576-00	WASHER, THRUST 2	1	1	
67	6AW-45571-00	GEAR 2 (26T)	1	1	
68	6AW-45577-00	SHIM (T:0.10MM)	1	1	UR

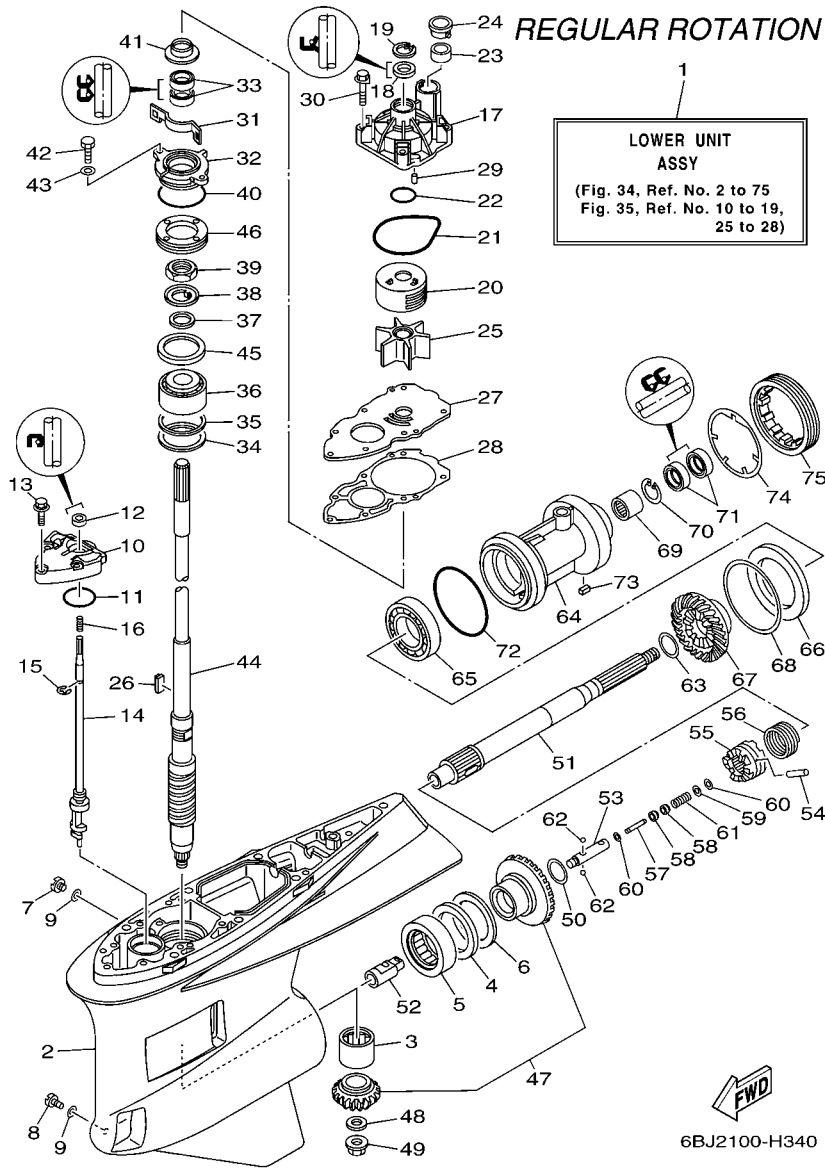


FIG. 34 LOWER CASING & DRIVE 1

REF. NO.	PART NO.	DESCRIPTION	XCB	UCB	REMARKS
68	6AW-45577-10	SHIM (T:0.12MM)	1	1	UR
	6AW-45577-20	SHIM (T:0.15MM)	1	1	UR
	6AW-45577-30	SHIM (T:0.18MM)	1	1	UR
	6AW-45577-40	SHIM (T:0.30MM)	1	1	UR
	6AW-45577-50	SHIM (T:0.40MM)	1	1	UR
	6AW-45577-60	SHIM (T:0.50MM)	1	1	UR
69	93311-63591	BEARING	1	1	
70	99009-47500	CIRCLIP	1	1	
71	93101-35018	OIL SEAL	2	2	
72	93211-10232	O-RING	1	1	
73	90282-05008	KEY, STRAIGHT	1	1	
74	6AW-45383-00	WASHER, CLAW	1	1	
75	6AW-45384-00	NUT	1	1	

REGULAR ROTATION

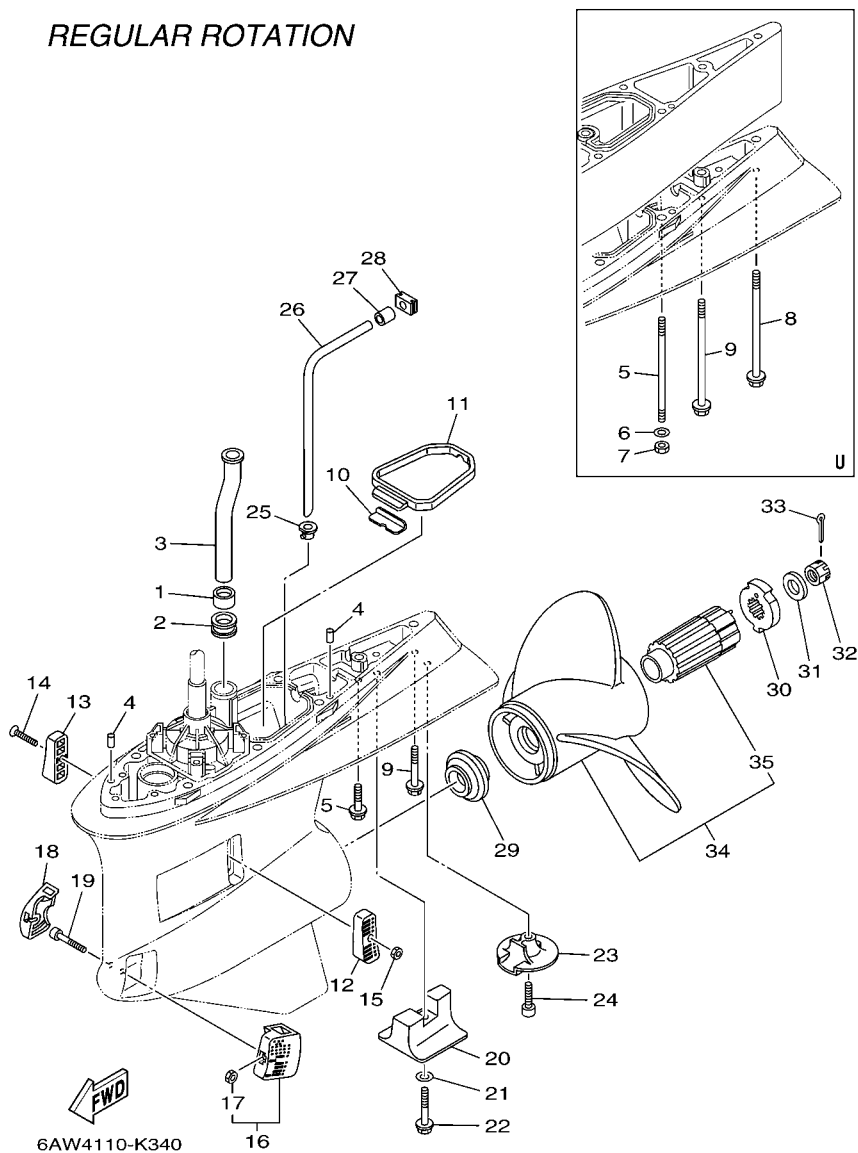


FIG. 35 LOWER CASING & DRIVE 2

REF. NO.	PART NO.	DESCRIPTION	XCB	UCB		REMARKS
1	6AW-44365-00	DAMPER, WATER SEAL 1	1	1		
2	6AW-44366-00	DAMPER, WATER SEAL 2	1	1		
3	6AW-44361-00	TUBE, WATER 1	1			X(25.1")
	6AW-44361-10	TUBE, WATER 1		1		U(30.1")
4	93608-12M05	PIN, DOWEL	2	2		
5	90119-10038	BOLT, WITH WASHER	7			X(25.1")
	90116-10041	BOLT, STUD		6		U(30.1")
6	90201-10048	WASHER, PLATE		6		U(30.1")
7	90170-10009	NUT		6		U(30.1")
8	90119-10008	BOLT, WITH WASHER		1		U(30.1")
9	97575-10570	BOLT, WITH WASHER	1			X(25.1")
	90119-10009	BOLT, WITH WASHER		1		U(30.1")
10	61A-45376-00	GUIDE, SEAL DAMPER	1	1		
11	6AW-45375-00	DAMPER, SEAL	1	1		
12	6AW-45214-00	COVER, WATER INLET 1	1	1		
13	6AW-45215-00	COVER, WATER INLET 2	1	1		
14	90152-05003	SCREW, COUNTERSUNK	1	1		
15	90185-05002	NUT, NYLON	1	1		
16	6AW-45224-00	COVER, WATER INLET 3	1	1		
17	90185-05002	.NUT, NYLON	1	1		
18	6AW-45225-00	COVER, WATER INLET 4	1	1		
19	90110-05050	BOLT, HEXAGON SOCKET HEAD	1	1		
20	6AW-45373-00	ANODE	1	1		
21	92990-10300	WASHER	1	1		
22	90105-10257	BOLT, FLANGE	1	1		
23	6AW-45619-00	CAP	1	1		
24	90110-10018	BOLT, HEXAGON SOCKET HEAD	1	1		

REGULAR ROTATION

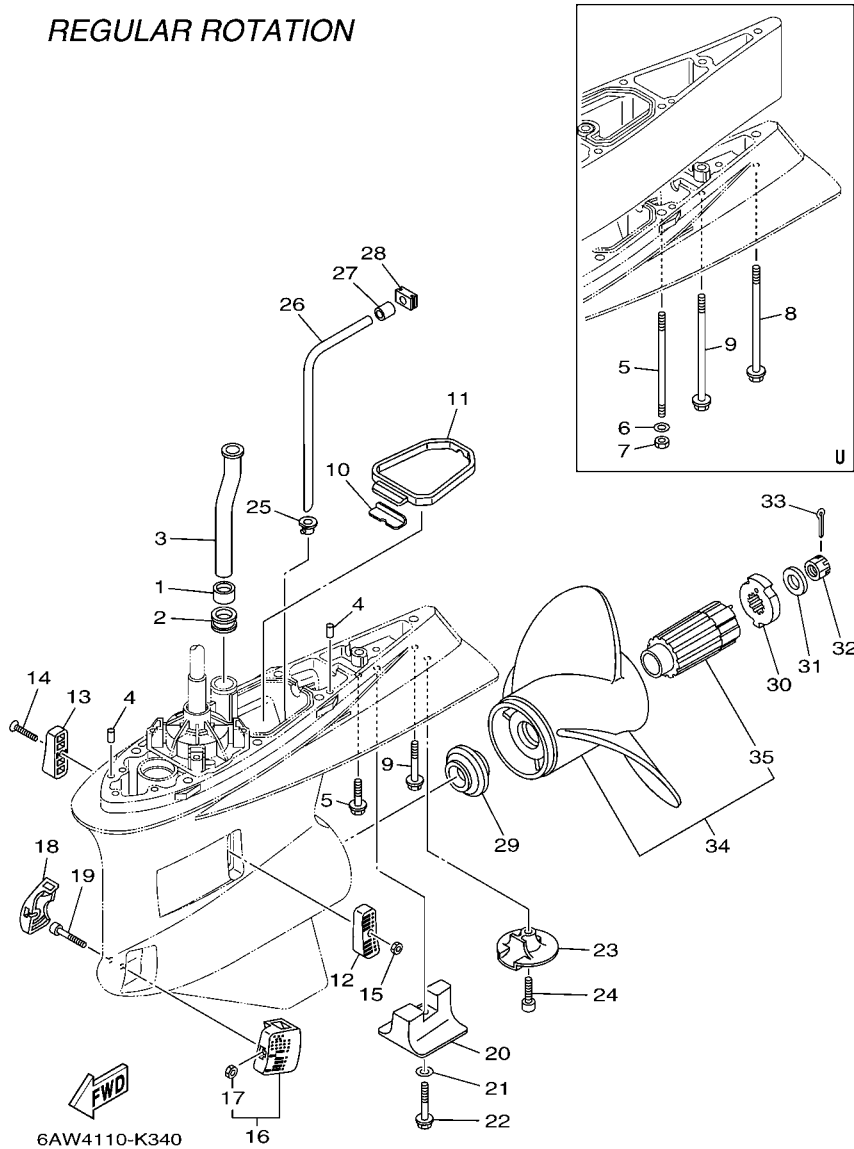
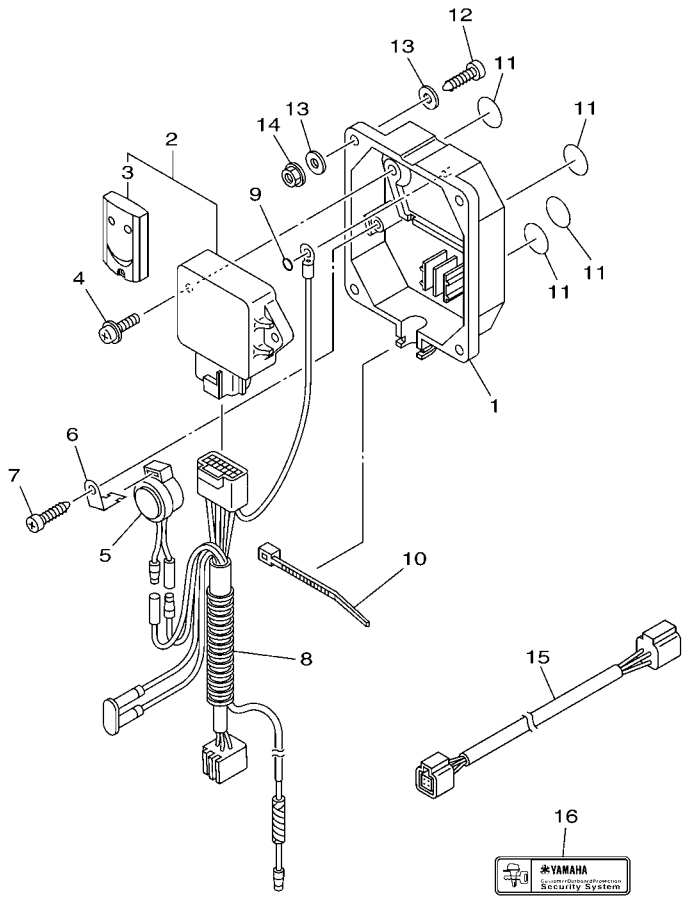


FIG. 35 LOWER CASING & DRIVE 2

REF. NO.	PART NO.	DESCRIPTION	XCB	UCB		REMARKS
25	6AW-44367-00	DAMPER, WATER SEAL 3	1	1		
26	6AW-44362-00	TUBE, WATER 2	1	1		
27	6AW-44375-00	GROMMET, WATER TUBE 1	1	1		
28	6AW-44376-00	GROMMET, WATER TUBE 2	1	1		
29	6AW-45987-00	SPACER 1	1	1		
30	6AW-45997-10	SPACER 2	1	1		
31	90201-19M01	WASHER, PLATE	1	1		
32	90171-18M04	NUT, CASTLE	1	1		
33	91490-40030	PIN. COTTER	1	1		
34	6AW-45970-10	PROPELLER (3X16-1/4"X15"-X)	1	1		UR SWS XL PROP.
	6AW-45972-10	PROPELLER (3X16-1/4"X17"-X)	1	1		UR SWS XL PROP.
	6AW-45974-10	PROPELLER (3X15-1/2"X19"-X)	1	1		UR SWS XL PROP.
	6AW-45976-10	PROPELLER (3X15-1/4"X21"-X)	1	1		UR SWS XL PROP.
	6AW-45978-10	PROPELLER (3X15-1/4"X23"-X)	1	1		UR SWS XL PROP.
35	6AW-45C80-00	.PROPELLER DAMPER RUBBER ASSY	1	1		



6CJ1100-K370

FIG. 36 OPTIONAL PARTS

REF. NO.	PART NO.	DESCRIPTION	XCB	UCB	REMARKS
1	6Y8-86267-00	CASE COMPLETE 1	1	1	
2	6Y8-86260-12	REMOTE CONTROL UNIT ASSY	1	1	
3	6AA-86261-22	.TRANSMITTER COMP	2	2	
4	97980-06216	SCREW, WITH WASHER	2	2	
5	6X4-83383-00	BUZZER	1	1	
6	6X4-83386-00	STAY, BUZZER	1	1	
7	97780-60620	SCREW, TAPPING	1	1	
8	6Y8-82509-10	WIRE, SUB LEAD	1	1	
9	93210-04279	O-RING	1	1	
10	90465-11M10	CLAMP	1	1	
11	6Y8-8454G-00	PATCH 1	4	4	
12	90167-06M00	SCREW, TAPPING	4	4	UR
	97880-06035	SCREW, PAN HEAD	4	4	UR
13	90201-06M30	WASHER, PLATE	8	8	
14	95780-06300	NUT, FLANGE	4	4	
15	6Y8-82521-11	2FT PIGTAIL BUS	1	1	
16	6Y8-48277-00	STICKER 1	4	4	

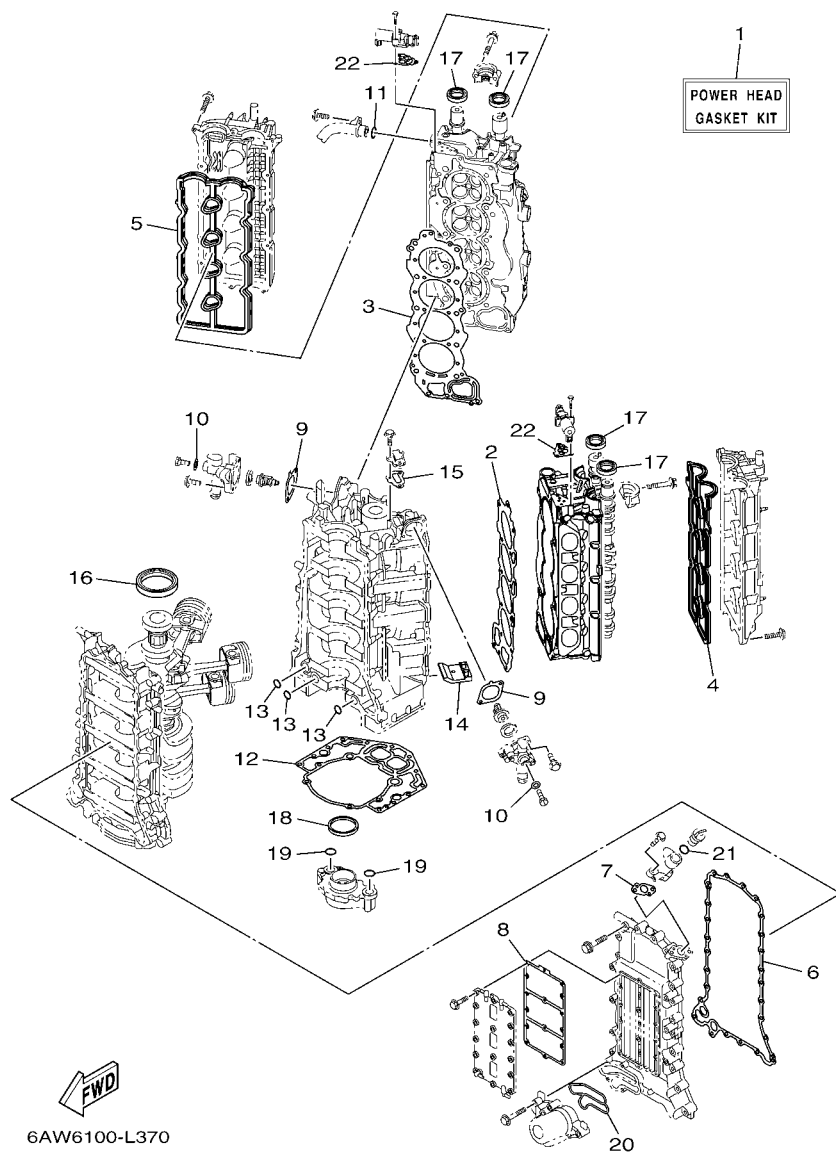


FIG. 37 REPAIR KIT 1

REF. NO.	PART NO.	DESCRIPTION	XCB	UCB		REMARKS
1	6AW-W0001-01	POWER HEAD GASKET KIT	1	1		
2	6AW-11181-00	.GASKET, CYLINDER HEAD 1	1	1		
3	6AW-11182-00	.GASKET, CYLINDER HEAD 2	1	1		
4	6AW-11193-10	.GASKET, HEAD COVER 1	1	1		
5	6AW-11194-10	.GASKET, HEAD COVER 2	1	1		
6	6AW-15451-00	.GASKET, CRANKCASE COVER 1	1	1		
7	6AW-15364-00	.GASKET, OIL PLUG	1	1		
8	6AW-15461-00	.GASKET, CRANKCASE COVER 2	1	1		
9	6AW-12427-00	.GASKET, HOUSING COVER 1	2	2		
10	90430-05002	.GASKET	2	2		
11	93210-207A0	.O-RING	1	1		
12	6AW-11351-00	.GASKET, CYLINDER	1	1		
13	93210-26658	.O-RING	3	3		
14	6AW-14664-00	.GROMMET, WATER SHUT	2	2		
15	6AW-11381-00	.GASKET 1	1	1		
16	93102-85004	.OIL SEAL	1	1		
17	93102-38008	.OIL SEAL	4	4		
18	69J-11355-00	.SEAL, CYLINDER 1	1	1		
19	93210-26658	.O-RING	2	2		
20	6AW-13477-00	.GASKET	1	1		
21	93210-24M79	.O-RING	1	1		
22	6CB-1242F-00	.GASKET, FILTER	2	2		

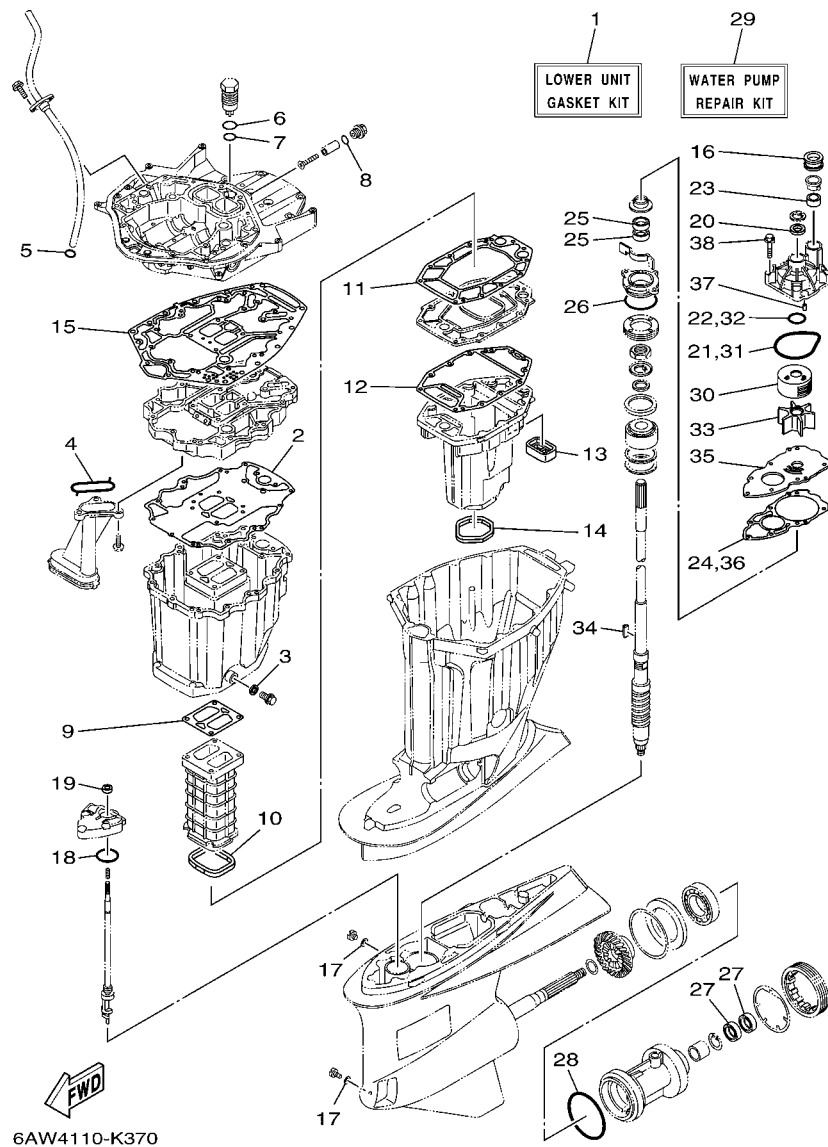


FIG. 38 REPAIR KIT 2

REF. NO.	PART NO.	DESCRIPTION	XCB	UCB	REMARKS
1	6AW-W0001-21	LOWER UNIT GASKET KIT	1	1	
2	6AW-15312-00	.GASKET, OIL PAN	1	1	
3	90430-14M09	.GASKET	1	1	
4	6AW-13415-00	.SEAL, OIL STRAINER	1	1	
5	93210-19MJ3	.O-RING	1	1	
6	93210-347A1	.O-RING	1	1	
7	93210-28543	.O-RING	1	1	
8	93210-19758	.O-RING	1	1	
9	6AW-41134-02	.GASKET, EXHAUST MANIFOLD	1	1	
10	6AW-41138-00	.SEAL, EXT. 1	1	1	
11	6AW-41135-00	.GASKET, EXHAUST MANIFOLD	1	1	
12	6AW-41136-00	.GASKET, EXHAUST MANIFOLD 4	1	1	
13	6AW-45127-00	.SEAL	1	1	
14	69J-45123-00	.GASKET, MUFFLER	1	1	
15	6AW-45113-00	.GASKET, UPPER CASING	1	1	
16	6AW-44366-00	.DAMPER, WATER SEAL 2	1	1	
17	90430-08020	.GASKET	2	2	
18	93210-48214	.O-RING	1	1	
19	93101-12M70	.OIL SEAL	1	1	
20	93109-24001	.OIL SEAL	1	1	
21	93210-94003	.O-RING	1	1	
22	93210-37160	.O-RING	1	1	
23	6AW-44365-00	.DAMPER, WATER SEAL 1	1	1	
24	6AW-44315-00	.GASKET, WATER PUMP	1	1	
25	93101-28004	.OIL SEAL	2	2	
26	93210-69MG6	.O-RING	1	1	
27	93101-35018	.OIL SEAL	2	2	

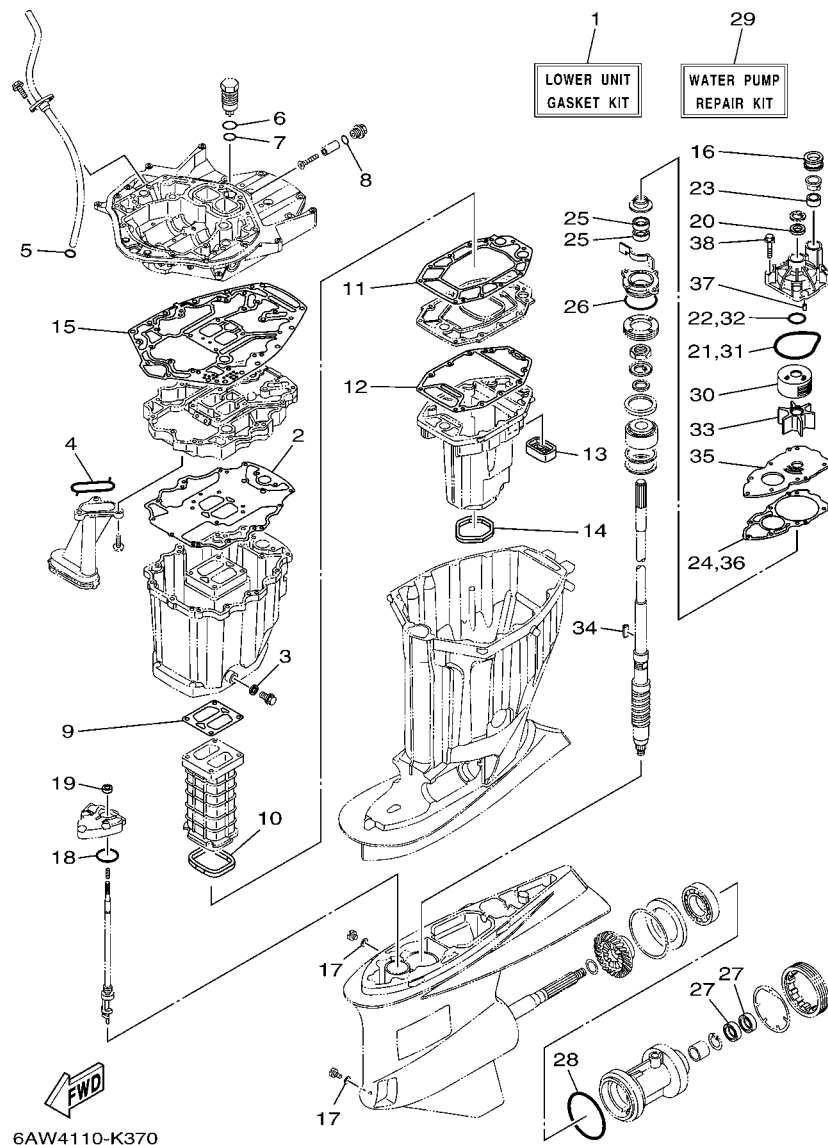


FIG. 38 REPAIR KIT 2

REF. NO.	PART NO.	DESCRIPTION	XCB	UCB	REMARKS
28	93211-10232	.O-RING	1	1	
29	6AW-W0078-00	WATER PUMP REPAIR KIT	1	1	
30	6AW-44322-00	.INSERT, CARTRIDGE	1	1	
31	93210-94003	.O-RING	1	1	
32	93210-37160	.O-RING	1	1	
33	6AW-44352-00	.IMPELLER	1	1	
34	6AW-44336-00	.KEY	1	1	
35	6AW-44323-00	.OUTER PLATE, CARTRIDGE	1	1	
36	6AW-44315-00	.GASKET, WATER PUMP	1	1	
37	93606-12019	.PIN, DOWEL	2	2	
38	90119-08M14	.BOLT, WITH WASHER	4	4	

NUMERICAL INDEX

PART NO.	REF. NO.	PART NO.	REF. NO.	PART NO.	REF. NO.	PART NO.	REF. NO.	PART NO.	REF. NO.	PART NO.	REF. NO.
6AW-11110-10	4 - 2	6AW-11417-20	3 - 5	6AW-12572-00	25 - 1	6P2-13578-00	11 - 8	6P2-14496-00	11 - 9	69J-2419A-01	8 - 25
6AW-11120-10	4 - 10	6AW-11417-30	3 - 5	6AW-12576-20	10 - 17	6P2-13588-00	11 - 7	6CB-14546-00	13 - 24	6CB-24217-00	13 - 7
6S5-11133-10	4 - 3	6AW-11417-40	3 - 5	6AW-12577-00	10 - 21	6CB-13593-00	13 - 19	6CB-14564-00	13 - 9	6AW-24300-00	14 - 16
	4 - 11	6AW-11426-00	3 - 6	6AW-12578-00	10 - 22	6AW-13631-00	33 - 14	63P-14567-00	13 - 17	6AW-24300-10	14 - 15
6AW-11181-00	4 - 23	6AW-11427-00	3 - 7	6AW-12579-10	10 - 24	6AW-13641-10	8 - 7	6AW-14664-00	2 - 33	5JW-24311-00	11 - 14
	37 - 2	6AW-11537-00	7 - 13	6R3-12581-00	25 - 3		8 - 13		37 - 14	6AW-24311-11	15 - 3
6AW-11182-00	4 - 28	6AW-11567-00	7 - 14	6AW-12582-00	25 - 4	6AW-13645-00	8 - 8	6AW-14711-00-9S	32 - 40	6AW-24312-10	10 - 3
	37 - 3	6P2-11590-01	7 - 25	6R3-12583-00	25 - 5		8 - 14	6AW-14750-00	25 - 29	6AW-24313-10	15 - 20
6AW-11186-10	5 - 1	6AW-11603-00	3 - 11	6AW-12588-00	10 - 32	6AW-13646-00	8 - 9	6AW-1475A-10	10 - 2	66V-24314-00	25 - 10
6AW-11187-10	5 - 3	6AW-11631-10-93	3 - 10	6AW-12589-00	10 - 14		8 - 15	6AW-1475E-00	25 - 31	6AW-24314-00	27 - 24
6AW-11188-00	11 - 17	63P-11633-10	3 - 12	6P2-12615-00	7 - 22	6AW-13711-01	11 - 3	6AW-1475F-00	25 - 34	6AW-24314-10	27 - 22
6AW-11191-10	4 - 29	63P-11634-00	3 - 13	6P2-12623-00	7 - 17	69J-13716-00	13 - 18	6AW-1475G-00	32 - 3	6AW-24317-20	14 - 4
6AW-11192-10	4 - 32	63P-11654-10	3 - 9		7 - 20	6AW-13750-01	11 - 1	6AW-1475J-00	32 - 4	6AW-24323-20	14 - 2
6AW-11193-10	4 - 30	6AW-11656-00	3 - 14	6AW-12645-00	7 - 16	6AW-13751-00	11 - 2	6AW-14763-00	25 - 32	6AW-24324-20	14 - 3
	37 - 4	6AW-11656-10	3 - 14	6AW-1264A-00	7 - 19	6AW-13761-00	12 - 3	6AW-14764-00-CA	25 - 35	6E5-24351-51	15 - 4
6AW-11194-10	4 - 33	6AW-11656-20	3 - 14	6P2-12663-00	7 - 18		12 - 9	6CB-14984-00	13 - 35	6AW-24360-01	16 - 1
	37 - 5	6AW-11656-30	3 - 14		7 - 21	6AW-13781-00	13 - 26	6CB-14985-00	13 - 23	6CE-24376-00	10 - 13
6AW-11197-00	32 - 22	6CB-12111-00	7 - 1	6CB-13016-00	13 - 5	6AW-13782-00	8 - 3	6AW-15100-04	2 - 2		10 - 20
67F-11301-00	4 - 17	6CB-12113-00	7 - 4	6AW-13119-00	33 - 13	6AW-13784-00	13 - 29	6AW-15142-00	4 - 35	6G8-24376-00	27 - 27
6AW-1131M-00-9S	2 - 34	51Y-12119-00	7 - 7	6AW-13132-00	13 - 22	6CB-13906-01	13 - 8	6P2-15187-00	2 - 5	6P2-24376-00	14 - 9
6E5-11325-00	21 - 5	6CB-12121-00	7 - 2	6AW-13160-10	12 - 1	6AW-13907-10	13 - 20	6AW-15311-00-CA	33 - 2	6AW-24377-01	15 - 2
63P-11325-01	2 - 18	6AW-12171-10	7 - 9	6AW-13161-10	12 - 2	63P-13915-00	13 - 21	6AW-15312-00	33 - 1	688-24378-00	10 - 5
67F-11325-01	4 - 18	6AW-12172-10	7 - 11	6AW-13170-10	12 - 7	6AW-13971-30	14 - 12		38 - 2		10 - 30
63P-11325-11	32 - 29	6AW-12181-10	7 - 10	6AW-13171-10	12 - 8	6AW-13973-30	14 - 13	69J-15316-00	32 - 49	6E5-24378-00	14 - 7
67F-11328-00	4 - 19	6AW-12182-10	7 - 12	6AW-13300-02	33 - 11	6AW-13974-30	14 - 14	6AW-15319-00-9S	2 - 11	6CB-24410-00	13 - 27
6AW-1132P-00	2 - 37	69J-12233-00	32 - 18	6CB-13329-00	33 - 12	6AW-1410B-00	12 - 4	6AW-1531A-00	9 - 16	6AW-24419-00	8 - 29
6AW-1132R-00	2 - 27	6AW-12411-00	2 - 20	6AW-13411-00	33 - 7		12 - 10	6AW-1531A-10	9 - 17	6AW-24422-00	15 - 21
6AW-1132S-00	32 - 24	6AW-12412-00	2 - 21	6AW-13415-00	33 - 9	69J-14137-00	14 - 5	6AW-1532A-00	9 - 18	6CB-24452-10	13 - 14
6AW-1132T-00	32 - 26	6AW-12413-00-9S	2 - 22		38 - 4	6CB-14146-00	13 - 10	6AW-15362-01	33 - 19	4SV-24453-00	13 - 30
6AW-1132U-00	32 - 27	6AW-1241B-00-9S	2 - 24	67F-13434-20	1 - 30	6P2-14149-00	14 - 1	6G8-15363-00	2 - 46	6CB-24460-00	13 - 4
6AW-11351-00	2 - 31	6AW-12422-00-9S	2 - 23	6AW-13437-51	17 - 14	6AW-14180-20	13 - 1	6AW-15364-00	2 - 12	6CB-24461-00	14 - 18
	37 - 12	6AW-12427-00	2 - 26	N26-13440-00	2 - 41	6CB-14181-01	13 - 11		37 - 7	6P3-24469-00	15 - 9
69J-11355-00	33 - 15		37 - 9	6AW-13446-00-9S	2 - 43	6AW-14182-10	13 - 2	6AW-15373-00	9 - 11	6CB-24482-00	13 - 16
	37 - 18	6AW-1242B-00-9S	2 - 25	6AW-13477-00	2 - 44	6P2-14191-00	13 - 12	6AW-15377-00	33 - 20	6AW-24491-10	13 - 28
6AW-1135A-00	5 - 8	6CB-1242F-00	5 - 6		37 - 20	6CB-14216-00	13 - 6	6AW-15393-00	9 - 14	6CB-24492-00	13 - 32
6AW-11371-10	32 - 15		37 - 22	6AW-13490-01	33 - 23	6CB-14239-00	13 - 13	6AW-15411-02-9S	2 - 7	6CB-24501-01	13 - 3
6H1-11372-00	32 - 2	6AW-1243A-00	6 - 1	6AW-13532-00	14 - 8	4N0-14251-00	11 - 13	6AW-15421-00-9S	2 - 15	6P3-24519-00	15 - 8
6AW-11378-00	6 - 14	6AW-1243E-00	6 - 4	6AW-13545-10	10 - 4	68V-14356-00	11 - 12	6AW-15451-00	2 - 8	6P3-24560-22	15 - 6
6AW-11381-00	2 - 35	6AW-1243F-00	32 - 6	6AW-13547-10	10 - 10	6AW-14360-00	11 - 6		37 - 6	6P3-24562-21	15 - 7
	37 - 15	6AW-1244G-00	6 - 7	6CB-13548-00	10 - 8	6P2-14386-00	13 - 33	6AW-15461-00	2 - 16	6P3-24563-01	15 - 11
6AW-11411-10	3 - 1	6AW-1244H-00	32 - 5	6AW-13548-10	10 - 6	6AW-14419-00	9 - 5		37 - 8	6P3-24564-00	15 - 10
6AW-11416-00	3 - 4	6AW-1244J-00	6 - 13	6AW-13556-00	11 - 4	6AW-1441J-00	9 - 3	6P2-15512-00	7 - 26	6CB-24592-00	13 - 34
6AW-11416-10	3 - 4	6AW-12476-00	6 - 11	6AW-13557-00	11 - 5	6CB-14429-01	13 - 15	6AW-15544-00	7 - 30	6AW-24596-00	15 - 15
6AW-11416-20	3 - 4	6AW-12477-00	6 - 2	6P2-13573-00	11 - 11	63P-14435-00	18 - 23	69J-2134X-00	8 - 21	69J-28100-01	15 - 26
6AW-11416-30	3 - 4	6AW-12482-10	10 - 31	68V-13577-00	14 - 6	6AW-14440-00	9 - 1	6AW-2134X-10	8 - 19	67F-2812A-00	19 - 25
6AW-11416-40	3 - 4	6AW-12483-00	10 - 28		14 - 17	6AW-14445-00	9 - 12	6E5-21744-00	10 - 7	6AW-41131-01-CA	32 - 31
6AW-11417-00	3 - 5	6AW-12484-00	6 - 5	6AW-13577-10	12 - 5	6CB-1447B-00	13 - 25		10 - 9	6AW-41132-00-9S	32 - 33
6AW-11417-10	3 - 5	6AW-12491-10	6 - 8		12 - 11	68F-14485-00	10 - 23	6P2-24170-00	8 - 18	6AW-41134-02	32 - 34

NUMERICAL INDEX

PART NO.	REF. NO.	PART NO.	REF. NO.	PART NO.	REF. NO.	PART NO.	REF. NO.	PART NO.	REF. NO.	PART NO.	REF. NO.
6AW-41134-02	38 - 9	6AW-42744-00	25 - 16	6AW-43817-00	30 - 52	6AW-4388E-00	30 - 28	6AW-44532-00	29 - 24	6AW-45571-00	34 - 67
6AW-41135-00	32 - 37	6H4-42748-00	24 - 37	64E-43817-11	30 - 29	6AW-4388H-00	30 - 57	6AW-44533-00	29 - 29	6AW-45576-00	34 - 66
	38 - 11	68F-42753-00	24 - 40	6AW-4381A-00	30 - 19	6AW-4388J-00	30 - 38	6AW-44551-00-CA	29 - 10	6AW-45577-00	34 - 68
6AW-41136-00	32 - 39	6AW-42761-00	24 - 3	6AW-4381G-00	30 - 50	6AX-4388J-00	30 - 55	6AW-44552-00-CA	29 - 21	6AW-45577-10	34 - 68
	38 - 12	6AW-42767-00	25 - 39	6AW-43820-01	30 - 10	6E5-43896-00	30 - 36	6AW-44555-00	29 - 13	6AW-45577-20	34 - 68
6AW-41137-11-CA	32 - 1	6AW-42769-00	25 - 27	6AW-43821-00	30 - 6	6AW-43897-00	30 - 27	6AW-44575-00	29 - 12	6AW-45577-30	34 - 68
6AW-41138-00	32 - 36	6AW-42771-00-8D	26 - 3	6AW-43822-00	30 - 9	6AW-43899-00	30 - 59	6AW-45111-10-8D	32 - 45	6AW-45577-40	34 - 68
	38 - 10	69J-42774-10	26 - 5	6AW-43825-01	30 - 2	6AW-4389H-00	30 - 3	6AW-45113-00	32 - 46	6AW-45577-50	34 - 68
6AW-42169-00	25 - 9	6AW-42775-00	26 - 12	6AW-43828-00	30 - 24	6AW-4389J-00	30 - 58		38 - 15	6AW-45577-60	34 - 68
6AW-42477-00	1 - 18	6AW-42785-00	25 - 7	6AW-43829-00	30 - 26	6AW-44116-00	28 - 43	69J-45123-00	32 - 44	6AW-45587-00	34 - 35
6AW-42510-01-8D	29 - 5	6AW-42786-00	25 - 22	6AW-4382G-00	30 - 43	6AW-44117-00	15 - 24		38 - 14	6AW-45587-10	34 - 35
6AW-42532-00	1 - 8	6AW-42787-00	25 - 23	6AW-43830-00	30 - 32	6AW-44118-00	27 - 10	6AW-45127-00	32 - 43	6AW-45587-20	34 - 35
6CB-42545-00	1 - 4	6AH-42794-40	24 - 42	64E-43831-00	30 - 22	6AW-44120-00	27 - 9		38 - 13	6AW-45587-30	34 - 35
6AW-42610-20	1 - 1	6AH-42794-50	24 - 43	6AW-43842-00	31 - 9	6AW-44120-10	27 - 9	6AW-45151-01-8D	26 - 11	6AW-45587-40	34 - 35
6AW-42613-00	1 - 2	6AW-42815-00-8D	24 - 9	6AW-43843-00	31 - 4	6AW-44121-00	27 - 5	69J-45152-10	32 - 50	6AW-45587-50	34 - 35
6AW-42615-00	24 - 7	6AW-42816-01-8D	24 - 10	6AW-43844-00	30 - 41	6AW-44122-00	27 - 4	6AW-45159-00	32 - 58	6AW-45587-60	34 - 35
6AW-42628-20	1 - 21	6AW-42817-01-8D	24 - 11	6AW-4384H-00	30 - 40	6AW-44150-00	34 - 14	6AW-45181-01-9S	32 - 38	6AW-45611-00	34 - 51
6AW-42629-00	25 - 28	6AW-42818-01	24 - 20	6AW-4384J-00	30 - 7	6AW-44176-00	27 - 1	6AW-45211-10-8D	32 - 55	6AW-45612-00	34 - 63
6AW-42635-00	1 - 5	6AW-42819-01	24 - 21	6AW-43856-00	30 - 37	6AW-44311-00	34 - 17	6AW-45214-00	35 - 12	6AW-45619-00	35 - 23
6AW-42646-10	1 - 14	6AW-4281A-01	24 - 22	64E-43858-00	30 - 18	6AW-44312-00	34 - 24	6AW-45215-00	35 - 13	6AW-45631-00	34 - 55
6AW-42647-00-9S	1 - 11	6AW-42828-00-9S	24 - 12		30 - 45	6AW-45224-00	34 - 28	6AW-45224-00	35 - 16	6AW-45632-00	34 - 54
6AW-4264A-00	1 - 13	6AW-42829-00-9S	24 - 13	6AW-43858-00	30 - 34		38 - 24	6AW-45225-00	35 - 18	6AW-45633-00	34 - 56
6AW-42663-00	1 - 12	6AW-42851-00	24 - 28	6AW-43860-01	30 - 44		38 - 36	6AW-45244-00	34 - 46	61A-45634-01	34 - 53
6AW-42675-00	1 - 23	6AW-43111-00-8D	28 - 1	6AW-43861-00	30 - 51	6AW-44322-00	34 - 20	6AW-45251-00	28 - 4	61A-45635-00	34 - 58
6AW-42676-00	1 - 24	6AW-43112-00-8D	28 - 16	6E5-43862-00	30 - 8		38 - 30	6AW-45300-20-8D	34 - 1	6AW-45641-00	34 - 52
6AW-42677-00	1 - 25	6AW-43113-00	28 - 19		30 - 12	6AW-44323-00	34 - 27	6AW-45300-30-8D	34 - 1	6H1-45668-00	34 - 57
6AW-42678-00	1 - 22	6AW-43126-01	28 - 51		30 - 15		38 - 35	6AW-45311-01-8D	34 - 2	6AW-45723-00	34 - 31
6AW-42681-00	1 - 26	6R3-43131-10	28 - 25	6G5-43863-00	30 - 42	6AW-44336-00	34 - 26	6AW-45318-00	32 - 52	6AW-45970-10	35 - 34
6AW-42682-00	1 - 27	61A-43132-00	28 - 14	6G5-43864-00	30 - 11		38 - 34	6AW-45321-00	34 - 10	6AW-45972-10	35 - 34
6AW-42697-10	1 - 28	61A-43133-00	28 - 20	64E-43865-00	30 - 56	6AW-44352-00	34 - 25	6AW-45332-00	34 - 64	6AW-45974-10	35 - 34
6AW-42710-01-8D	24 - 1	6AW-43138-00	31 - 8	64E-43866-00	30 - 16		38 - 33	6AW-45335-00-CA	34 - 32	6AW-45976-10	35 - 34
63P-42716-00	24 - 8	66T-43144-00	24 - 26	64E-43868-00	30 - 21	6AW-44361-00	35 - 3	688-45341-10	34 - 8	6AW-45978-10	35 - 34
61A-42717-00	24 - 33	6AW-43148-00	28 - 49	6AW-43869-00	30 - 39	6AW-44361-10	35 - 3	6AW-45344-00	34 - 41	6AW-45987-00	35 - 29
69J-42717-00	25 - 20	6AW-43181-01	28 - 46	6AW-4386K-00	31 - 11	6AW-44362-00	35 - 26	6AW-45373-00	35 - 20	6AW-45997-10	35 - 30
6AW-42721-00	25 - 25	6AW-43185-01	28 - 47	6AW-43871-00	30 - 4	6AW-44365-00	34 - 23	6AW-45375-00	35 - 11	6AW-45C80-00	35 - 35
6AW-42722-00	24 - 14	6AW-43311-00-8D	28 - 38	64E-43873-00	30 - 48		35 - 1	61A-45376-00	35 - 10	6AW-4820A-11	27 - 17
6AW-42723-00-9S	25 - 24	6AW-43376-00	29 - 3	6AW-43875-00	30 - 49		38 - 23	6AW-45383-00	34 - 74	6Y8-48277-00	36 - 16
69J-42723-01	22 - 41	6AW-43800-02	30 - 1	6AW-43878-00	30 - 30	6AW-44366-00	32 - 56	6AW-45384-00	34 - 75	6AW-81218-00	21 - 24
6AW-42724-00	32 - 14	6AW-43802-00	30 - 35	6AW-43879-00	30 - 23		35 - 2	6AW-45501-00	34 - 44	6AW-81328-00	21 - 20
6AW-42725-01	24 - 2	6AW-43804-00	31 - 5	64E-4387A-00	30 - 47		38 - 16	6AW-45501-10	34 - 44	6AW-81337-01	17 - 11
6AW-42726-00	24 - 38	6AW-43805-00	31 - 3	6AW-4387G-00	30 - 20	6AW-44367-00	35 - 25	6T5-45539-00	34 - 45	63D-81345-00	17 - 5
6H1-42726-21	24 - 35	6AW-43809-00	30 - 53	6AW-43880-01	31 - 1	6AW-44375-00	35 - 27	6AW-45550-00	34 - 47	6AW-81443-00	19 - 42
6AW-42733-00	25 - 18	6AW-4380J-00	31 - 10	6AW-43881-11	31 - 6	6AW-44376-00	35 - 28	6AW-45567-00	34 - 6	6AW-81460-00	17 - 3
6AW-42734-00	25 - 19	6AW-4380R-00	30 - 5	6AW-43882-00	31 - 2	6P2-44391-00	24 - 34	6AW-45567-10	34 - 6	6AW-81539-00	20 - 2
6AH-42735-00	1 - 29	6AW-43810-01	30 - 14	6AW-43886-00	30 - 33	6AW-44511-01-CA	29 - 30	6AW-45567-20	34 - 6	6P2-81639-00	19 - 28
6AW-42735-00	24 - 5	6AW-43813-00	30 - 13	6AW-43887-00	30 - 25	6AW-44514-01-94	29 - 23	6AW-45567-30	34 - 6	6AW-81677-00	22 - 23
6AW-42741-00-8D	26 - 1	6AW-43814-00	30 - 17	6AX-43887-00	31 - 7	6AW-44526-00	29 - 25	6AW-45567-40	34 - 6	6AW-81678-00	19 - 40
6AW-42743-00	22 - 28	64E-43816-00	30 - 54	6AW-43888-00	30 - 31	6G5-44526-00	28 - 5	6AW-45567-50	34 - 6	6AW-81800-00	23 - 1

NUMERICAL INDEX

PART NO.	REF. NO.	PART NO.	REF. NO.	PART NO.	REF. NO.	PART NO.	REF. NO.	PART NO.	REF. NO.	PART NO.	REF. NO.
6AW-81807-00	23 - 3	6AW-82149-00	29 - 16	6Y8-8454G-00	36 - 11	K0F-A3751-R0	7 - 8	90109-06M86	22 - 47	90119-10039	28 - 34
6AW-81808-00	23 - 8	67F-82151-00	19 - 21	6P2-85075-00	20 - 5	K0F-A3751-S0	7 - 8		24 - 4	90119-10040	32 - 11
6AW-81810-00	23 - 16	6P2-82151-00	19 - 20	72X-85075-L0	30 - 46	K0F-A3751-T0	7 - 8		24 - 6	90119-10050	7 - 15
6AW-81820-00	23 - 18	67F-82151-10	19 - 22	68F-85119-00	18 - 7	K0F-A3753-00	7 - 8		24 - 27	90119-10M07	7 - 28
6AW-81826-00	23 - 19	67F-82151-40	19 - 23	6P2-85544-00	19 - 29	K0F-A3753-10	7 - 8		25 - 17	90151-06M02	2 - 19
6AW-81830-00	23 - 2	67F-82151-50	19 - 24	689-85547-00	15 - 1	K0F-A3753-20	7 - 8		25 - 40		32 - 30
6AW-81832-00	23 - 7	6AW-82170-01	19 - 19	60V-85564-00	18 - 5	K0F-A3753-30	7 - 8	90109-06MA1	22 - 19	90152-05003	35 - 14
6AW-81836-00	23 - 4	6AW-82171-00	19 - 32	6AW-85580-00	17 - 4	K0F-A3753-40	7 - 8	90110-05050	35 - 19	90155-11002	4 - 25
6AW-81839-00	23 - 14	6CB-82310-00	20 - 1	6P2-85780-00	5 - 10	K0F-A3753-50	7 - 8	90110-08085	27 - 2	90167-06M00	36 - 12
6AW-8183R-00	23 - 11	6A0-82317-00	19 - 14	61A-85790-00	22 - 34	K0F-A3753-60	7 - 8	90110-10018	35 - 24	90170-10009	35 - 7
6AW-8183T-00	23 - 6		19 - 33	63P-85886-00	18 - 22	K0F-A3753-70	7 - 8	90111-06094	24 - 29	90170-30M18	34 - 39
6AW-81840-00	23 - 17	663-82317-01	17 - 12	6P2-85896-00	20 - 4	6AW-W0001-01	37 - 1	90111-06111	9 - 9	90171-18M04	35 - 32
6AW-81842-00	23 - 15	6AW-82353-10	20 - 16	6AW-8591A-41	18 - 1	6AW-W0001-21	38 - 1		26 - 7	90173-06001	26 - 10
6AW-81845-10	22 - 30	6AW-8235A-00	21 - 10	6AW-8591C-00	18 - 8	6AW-W0078-00	38 - 29		26 - 8	90179-06M28	1 - 3
6AW-81846-00	23 - 20	6AW-82364-00	11 - 15	6AW-85991-00	18 - 3	6AW-W009A-01-9S	4 - 1	90111-06113	26 - 9		8 - 33
6AW-81850-00	23 - 13	6AW-82365-00	11 - 16	6AW-8611A-00	9 - 8	6AW-W009B-04-9S	2 - 1	90116-06046	8 - 32	90179-08003	23 - 24
6AW-81854-00	23 - 12	6AW-82366-00	11 - 18	6C5-86120-00	9 - 6	6AW-W009C-01-9S	4 - 9	90116-10041	35 - 5	90179-18009	34 - 49
6AW-81857-00	23 - 9	63V-82377-50	28 - 55	6CB-86120-00	5 - 5	6AW-W1165-00	3 - 8	90116-10047	28 - 35	90183-02M03	34 - 60
6AW-81862-00	23 - 10	6P2-82380-00	11 - 10	6Y8-86260-12	36 - 2	6AW-W4624-00	7 - 24	90119-06M17	8 - 22	90185-05002	35 - 15
6AW-81891-00	23 - 5	6AW-82388-00	22 - 20	6AA-86261-22	36 - 3	6AW-W8145-01	17 - 1		15 - 12		35 - 17
6AW-81919-20	19 - 46	6Y8-82509-10	36 - 8	6Y8-86267-00	36 - 1	6AW-W9011-00	17 - 2	90119-06M24	8 - 28	90185-14M00	29 - 19
6AW-81919-31	19 - 47	6Y8-82521-11	36 - 15	K0F-A3741-00	7 - 5	90101-08022	21 - 30	90119-06M35	9 - 2	90185-16008	29 - 27
6AW-81925-01	21 - 27	6AW-82544-01	18 - 14	K0F-A3742-00	7 - 6	90101-12031	28 - 56	90119-06M59	19 - 16	90185-22007	28 - 28
6AW-81941-00	23 - 21	6AW-82560-00	22 - 36	K0F-A3743-00	7 - 3	90101-12036	28 - 56		19 - 35	90201-02M00	34 - 59
6AW-81942-00	19 - 17	6AW-82563-00	22 - 40	K0F-A3751-00	7 - 8	90101-14004	29 - 17	90119-06M82	18 - 2	90201-06M30	24 - 23
6AW-81948-00	19 - 38	6AW-82572-00	19 - 36	K0F-A3751-10	7 - 8	90105-05012	2 - 29	90119-06MA3	21 - 7		36 - 13
69J-81949-02	22 - 51	6AW-82573-00	19 - 37	6AW-82573-00	7 - 8	90105-06028	2 - 30	90119-06MA5	21 - 8	90201-10048	28 - 37
6AW-8194A-00	19 - 6	6AW-8257G-00	22 - 26	K0F-A3751-30	7 - 8	90105-06035	5 - 7	90119-06MA6	8 - 11		35 - 6
6AW-81950-00	19 - 1	6AW-82581-00	21 - 9	K0F-A3751-40	7 - 8	90105-06037	2 - 17		8 - 17	90201-10049	28 - 3
6AW-81952-00	19 - 11	69J-82587-00	22 - 42	K0F-A3751-50	7 - 8	90105-06039	2 - 36	90119-07001	4 - 5		28 - 18
68V-81953-00	19 - 7	6AW-82588-00	18 - 17	K0F-A3751-60	7 - 8	90105-06155	2 - 13		4 - 13	90201-10M01	7 - 29
68F-8195A-00	19 - 30	6E5-82588-00	25 - 13	K0F-A3751-70	7 - 8		24 - 24	90119-07234	4 - 6	90201-11008	27 - 6
6AW-81960-01	21 - 1	6E9-82588-00	22 - 37	K0F-A3751-80	7 - 8	90105-06M07	4 - 20		4 - 14	90201-12060	28 - 57
6AW-81972-00-9S	21 - 4	6AW-82589-01	22 - 2	K0F-A3751-90	7 - 8	90105-06M08	12 - 6	90119-08022	8 - 10	90201-12426	28 - 58
6AW-81975-00	21 - 3	6AW-82590-20	22 - 1	K0F-A3751-A0	7 - 8		12 - 12		8 - 16	90201-13M19	28 - 59
6AH-81994-40	17 - 15	6AW-8259M-00	21 - 32	K0F-A3751-B0	7 - 8	90105-08175	2 - 6	90119-08102	32 - 8	90201-156J2	24 - 19
6AH-81994-50	17 - 16	68F-82846-00	19 - 26	K0F-A3751-C0	7 - 8		2 - 10	90119-08115	4 - 27	90201-15M58	29 - 18
6AW-82105-00	21 - 41	6X4-83383-00	36 - 5	K0F-A3751-D0	7 - 8	90105-08178	7 - 31	90119-08117	32 - 35	90201-16016	29 - 15
6P2-82113-00	19 - 27	6X4-83386-00	36 - 6	K0F-A3751-E0	7 - 8	90105-08220	4 - 26	90119-08M14	34 - 30	90201-16030	29 - 28
6AW-82117-01	21 - 33	6AW-8339X-00	25 - 37	K0F-A3751-F0	7 - 8	90105-08240	5 - 9		38 - 38	90201-18023	34 - 48
6AW-82119-00	21 - 42	6AX-83614-00	22 - 43	K0F-A3751-G0	7 - 8	90105-10257	35 - 22	90119-08M22	24 - 32	90201-19M01	35 - 31
6G5-82119-00	19 - 10	63P-83614-01	22 - 46	K0F-A3751-H0	7 - 8	90105-16003	29 - 26	90119-08M26	34 - 13	90201-26014	28 - 27
6G5-82119-10	19 - 5	6AW-83614-01	21 - 16	K0F-A3751-J0	7 - 8	90109-06M81	24 - 15	90119-10007	32 - 47	90201-301U7	34 - 37
6AW-82119-20	21 - 43	6AW-83651-00	18 - 21	K0F-A3751-K0	7 - 8		25 - 14	90119-10008	35 - 8	90201-35015	34 - 50
6E5-82147-00	28 - 40	6AW-8366B-00	20 - 12	K0F-A3751-L0	7 - 8		25 - 26	90119-10009	35 - 9	90201-46008	29 - 6
6H1-82148-00	28 - 8	60V-8366D-00	20 - 13	K0F-A3751-M0	7 - 8	90109-06M86	6 - 12	90119-10024	29 - 22	90201-68008	34 - 34
	28 - 11	6AW-8366G-10	20 - 8	K0F-A3751-N0	7 - 8		22 - 27		29 - 31	90202-15M37	24 - 17
	30 - 60	6AW-83672-00	29 - 1	K0F-A3751-P0	7 - 8		22 - 29	90119-10038	35 - 5	90202-19001	27 - 14

NUMERICAL INDEX

PART NO.	REF. NO.	PART NO.	REF. NO.	PART NO.	REF. NO.	PART NO.	REF. NO.	PART NO.	REF. NO.	PART NO.	REF. NO.
90202-32M19	29 - 14	90464-07009	20 - 11	90465-11M10	36 - 10	92995-06100	22 - 8	93101-35018	34 - 71	93410-44087	29 - 11
90202-45001	29 - 8	90464-08051	22 - 50	90465-11M59	6 - 3	92995-06200	1 - 7		38 - 27	93420-35085	34 - 19
90206-15M18	24 - 18	90464-09008	19 - 45		6 - 6		1 - 10	93102-38008	7 - 23	93420-38091	32 - 53
90214-30003	34 - 38	90464-09023	8 - 6		32 - 7	92995-06600	6 - 10		37 - 17	93501-04011	34 - 62
90282-05008	34 - 73	90464-09M42	10 - 16	90465-13M18	22 - 11		8 - 5	93102-85004	3 - 3	93604-08062	2 - 14
90340-08002	34 - 7	90464-10010	10 - 25	90465-13M24	18 - 13		8 - 27		37 - 16	93606-12019	2 - 3
90340-14M06	33 - 5	90464-10M59	27 - 26	90465-14M66	18 - 4		15 - 17	93109-24001	34 - 18		2 - 9
90340-18M09	4 - 7	90464-11009	15 - 23		18 - 20		17 - 9		38 - 20		3 - 2
	4 - 15	90464-11121	15 - 18		21 - 11		18 - 10	93210-04279	36 - 9		34 - 29
90380-19001	27 - 13		19 - 13		21 - 21		18 - 16	93210-09165	27 - 16		38 - 37
90381-15002	24 - 16		19 - 41		22 - 48		18 - 19	93210-19758	32 - 23	93606-19M23	32 - 42
90386-07001	26 - 6		21 - 13	90467-08M10	10 - 27		20 - 7		38 - 8	93608-12M05	32 - 57
90386-10M16	28 - 48		22 - 33	90467-11136	10 - 18		20 - 15	93210-19MJ3	33 - 21		35 - 4
90386-18M14	28 - 53	90464-12001	25 - 38	90468-18008	27 - 8		21 - 15		38 - 5	93608-16M16	32 - 13
90386-18M63	28 - 52	90464-12002	21 - 2	90468-180A0	27 - 7		21 - 18	93210-207A0	6 - 15		32 - 32
90386-25003	28 - 26	90464-12012	14 - 19	90480-10M23	8 - 23		21 - 23		37 - 11		32 - 48
90386-45002	29 - 9	90464-12183	19 - 12		15 - 14		21 - 26	93210-24M79	2 - 47		33 - 4
90387-06037	32 - 19	90464-12224	10 - 1	90480-12314	5 - 2		21 - 36		37 - 21	93700-06M03	28 - 39
90387-06119	19 - 15		14 - 11		5 - 4		21 - 38	93210-26658	2 - 32	94702-00400	4 - 37
	19 - 34	90464-13249	21 - 12		17 - 13		22 - 4		33 - 18	95380-06600	1 - 17
90387-06176	18 - 6	90464-16001	27 - 25		22 - 17		22 - 6		37 - 13		9 - 7
90387-06263	33 - 8	90464-16240	18 - 12		22 - 18		22 - 9		37 - 19	95380-12600	28 - 60
90387-06276	8 - 31	90464-17006	8 - 12	90480-14M17	26 - 2		22 - 16	93210-28543	32 - 17	95780-06300	36 - 14
90387-06M60	8 - 24	90464-18246	9 - 10		26 - 4		22 - 22		38 - 7	95780-08300	1 - 15
	15 - 13		18 - 11	90480-16007	24 - 39		22 - 25	93210-347A1	32 - 16	95780-10300	28 - 36
90387-08M31	27 - 21		20 - 10	90480-19368	22 - 14		22 - 32		38 - 6		29 - 4
90387-08M37	24 - 31		22 - 13	90480-22M81	24 - 30		22 - 39	93210-37160	34 - 22	95812-06025	33 - 10
90387-11005	4 - 24	90464-20181	15 - 19	90501-10M77	34 - 61		22 - 45		38 - 22	95875-06016	8 - 20
90401-19001	2 - 42		22 - 12	90501-127J4	34 - 16		26 - 14		38 - 32		8 - 30
90430-05002	2 - 28		22 - 49	90506-22001	24 - 25		27 - 12	93210-43001	29 - 7		25 - 30
	37 - 10	90464-20258	24 - 41	91314-10020	28 - 2		28 - 7	93210-48214	34 - 11		25 - 36
90430-06M03	4 - 21	90464-25005	22 - 10		28 - 17		28 - 10		38 - 18		33 - 22
90430-08020	34 - 9	90464-30003	10 - 33	91490-40030	35 - 33		28 - 13	93210-69MG6	34 - 40	95875-06025	25 - 33
	38 - 17	90464-32002	10 - 15	91690-30020	28 - 50		28 - 24		38 - 26	95875-08035	8 - 1
90430-14M09	33 - 6	90464-44002	21 - 19	91809-08006	4 - 4		28 - 33	93210-94003	34 - 21	95885-06010	6 - 17
	38 - 3	90464-60067	10 - 19		4 - 12		28 - 42		38 - 21	95885-06014	4 - 36
90430-18130	4 - 8	90464-99004	9 - 4	91814-18002	2 - 4		28 - 45		38 - 31		6 - 16
	4 - 16	90465-08M82	25 - 15	92900-08600	27 - 20		32 - 21	93211-10232	34 - 72	95885-06045	2 - 45
90445-09026	10 - 29	90465-08M83	28 - 22	92903-06600	19 - 4		33 - 17		38 - 28	95885-08025	4 - 22
90445-09104	10 - 11		28 - 31	92903-08600	23 - 23	92995-08600	21 - 29	93306-21101	34 - 65	95895-06010	32 - 54
90445-09120	10 - 26	90465-11M10	10 - 12	92990-06100	1 - 16		21 - 40	93311-63591	34 - 69	95895-06012	2 - 40
90445-116J1	25 - 11		15 - 5	92990-08600	21 - 31		34 - 43	93311-93590	34 - 3		15 - 22
90445-14013	25 - 8		19 - 44		27 - 3	92995-10600	32 - 10	93340-67011	34 - 4	95895-06016	19 - 18
90445-14015	25 - 6		24 - 36	92990-10300	35 - 21	92995-14600	29 - 20	93390-00031	34 - 5		20 - 9
90446-18002	14 - 10		25 - 12	92990-10600	22 - 35	93101-12M70	34 - 12	93399-99962	34 - 36		25 - 21
90446-32002	9 - 19		27 - 18	92995-05600	1 - 20		38 - 19	93410-18M05	28 - 54	95895-06020	19 - 39
90462-10042	17 - 10		27 - 23	92995-06100	17 - 8	93101-28004	34 - 33	93410-19088	27 - 15	95895-06025	15 - 25
90462-12008	2 - 39		28 - 30		21 - 35		38 - 25	93410-21089	28 - 29		20 - 3

NUMERICAL INDEX

PART NO.	REF. NO.	PART NO.	REF. NO.	PART NO.	REF. NO.	PART NO.	REF. NO.	PART NO.	REF. NO.	PART NO.	REF. NO.
95895-06030	4 - 31	97575-10585	32 - 12								
	4 - 34	97595-06510	30 - 61								
97013-06020	19 - 3	97595-06610	19 - 2								
97013-08045	23 - 22		19 - 9								
97075-06050	33 - 16	97780-50514	19 - 43								
97075-10045	32 - 9	97780-50620	19 - 31								
97080-08030	27 - 19	97780-60516	1 - 6								
97095-06010	21 - 37		1 - 9								
	28 - 9	97780-60520	25 - 2								
	28 - 41	97780-60620	9 - 13								
	28 - 44		19 - 8								
97095-06012	8 - 4		36 - 7								
	15 - 16	97880-06035	36 - 12								
	18 - 9	97885-05010	1 - 19								
	18 - 15	97885-06010	28 - 15								
	18 - 18		28 - 21								
	22 - 15	97885-06012	28 - 12								
97095-06014	6 - 9		28 - 23								
	21 - 17	97885-06016	29 - 2								
	22 - 21	97980-06216	36 - 4								
	22 - 24	98507-04008	13 - 31								
	22 - 31	98780-04015	21 - 6								
	22 - 44	98780-05550	32 - 25								
	26 - 13		32 - 28								
	28 - 32	98780-06530	2 - 38								
	32 - 51	99002-10600	34 - 15								
97095-06016	8 - 26	99009-47500	34 - 70								
	20 - 14	99530-08012	17 - 6								
	21 - 14	99530-10114	8 - 2								
	21 - 22	99530-14016	7 - 27								
	21 - 25										
	21 - 34										
	22 - 7										
	22 - 38										
97095-06020	20 - 6										
	32 - 20										
97095-06025	22 - 5										
	27 - 11										
97095-06030	17 - 7										
	28 - 6										
97095-06035	22 - 3										
97095-08016	21 - 39										
97095-08020	21 - 28										
	34 - 42										
97575-06514	9 - 15										
97575-08535	32 - 41										
97575-08570	33 - 3										
97575-10570	35 - 9										