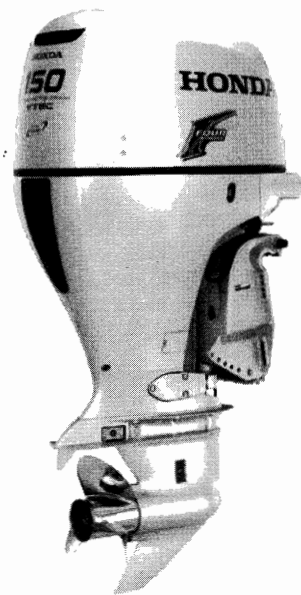


BF135A4



BF150A4

FOREWORD INDEX

1

ENGINE GROUP

2

FRAME GROUP

3

PART NUMBER INDEX

4

PART NAME INDEX

5

Instruction for use of parts catalogue

- This parts catalogue has been created as of October 10, 2003.
- Since this date, the sales practice for repair parts may have been changed or the parts may have been eliminated (listed for those not for sale).
- The modified information is reflected on the latest Electronic Parts Catalogue (EPC).
Also, refer to the parts catalogue news for any change.
- See the parts catalogue news for any revision that is made after October 10, 2003.

Always specify the part number when ordering a part.

- Check the model, type, serial numbers, color, maker, and the size as needed before ordering a part.
- Note that the illustrations (part drawings) can differ from the actual parts in shape.
They are given just to help you to refer to the parts.

- When modifications or additions to this parts catalogue are made, a revised edition will be issued at an appropriate time, with successively progressing revision numbers on the cover. We recommend obtaining such revisions in order to keep your parts catalogue up-to-date at all times. To check whether a parts catalogue revision has been issued, please contact your Honda distributor.

Initial version issue date
October 10, 2003
Honda Motor Co., Ltd.

CONTENTS

Address
Page No.

● How to refer to the part information.....	2	B 2
● Part catalogue structure	3	B 3
● When the parts were revised	4	B 4
● Abbreviations used in the parts catalogue	4	B 4
● How to check the part block and serial numbers.....	5	B 5
● Models, parts catalogue codes and applicable serial numbers.....	6	B 6
● Features of each type.....	7	B 7
● Fuel hose, general purpose hoses and vinyl hose.....	8	B 8
● How to use the flat rate time (F.R.T.)	9	B 9
● Illustrated index	11	B11
● ENGINE GROUP.....	19	D 1
● FRAME GROUP.....	51	F 1
● PART NO. INDEX.....	116	K 1
● PART NAME INDEX.....	122	L 1

5432

1

B 1

Part catalogue structure

- ① Address number
- ② Block title
- ③ Block number
- ④ Service item/Flat rate time
- ⑤ Reference number

- ⑥ Part number
- ⑦ Honda color code
- ⑧ Description
- ⑨ Assemblies

- ⑩ Color description
- ⑪ Note
- ⑫ Required quantity

- ⑬ Serial number
- ⑭ Type

- ⑮ As the type of the actual unit may differ from the "parts catalogue, type" please refer to "Models, types and applications" serial numbers" for confirmation.
- ⑯ Parts enclosed within a dotted line are covered in a different block.
- ⑰ A hollow arrow indicates the block No. for the parts enclosed within a dotted line.
- ⑱ A solid arrow indicates the block No. the part in question is connected to.

E-2
③

CYLINDER HEAD

Service item	
F R T	
O-RING, 20X2,7	0,1
O-RING, 9,5X1,5	0,2
SENSOR ASSY, WATER	0,2
COVER COMP., HEAD TEMPERATURE	0,5
PACKING, HEAD COVER	1,8
GASKET, CYLINDER HEAD	2,4
OIL SEAL, 20X52X6	2,4
HEAD COMP., CYLINDER	5,1

①

④

Ref No	Part No	Description	Head QTY	Serial No	Parts catalogue code
5	12166-ZW9-000	STOPPER, ENGINE SIDE	2	BF BFP BF BFP BF BFP	⑬
6	12210-ZW9-000A	HEAD COMP., CYLINDER	2	90D1 1001 1001 1001 1001	⑭
7	12510-ZW9-003	GASKET, CYLINDER HEAD	1	BF BFP BF BFP BF BFP	⑮
8	12310-ZW9-000	COVER COMP., HEAD	1	BF BFP BF BFP BF BFP	⑯
9	12312-ZW9-000	PACKING, HEAD COVER	1	BF BFP BF BFP BF BFP	⑰
10	15611-921-000	CAP, OIL	1	BF BFP BF BFP BF BFP	⑱
11	16617-ZW9-000	HOLDER, CABLE (NO GAUGE)	1	BF BFP BF BFP BF BFP	⑲
12	16617-ZW9-010	ROD COMP., THROTTLE LINING, PILOT (INC. RELATIVE PART)	1	BF BFP BF BFP BF BFP	⑳
13	16617-ZW9-010	DIPHRAGM ASSY.	1	BF BFP BF BFP BF BFP	㉑

E-14-10
③

THROTTLE ROD

Service item	
F R T	
CAM, THROTTLE	0,2
(INC. RELATIVE PART)	0,2
LINING, PILOT	0,3
ROD COMP., THROTTLE	0,3
DIPHRAGM ASSY.	0,3

①

④

Abbreviations used in the parts catalogue

• The following abbreviations are used in the parts name column.

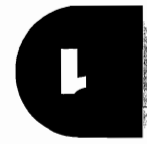
A Front	A Ampere
A.C. Inlet	A.C. Alternating current
ASSY. Link (100L)	ASSY. Assembly
AT Left	AT Automatic transmission
MM Willimeter	
MT Manual Transmission	C.D.I. Capacitive discharge ignition
P.T.O. Power take off	COMP. Complete
R Right	D.C. Direct current
RR. Rear	EX. Exhaust
STD. Standard	G.F.C.I. Ground fault circuit interruptor
T (22T) ... Tooth (22 Teeth)	HEX. Hexagonal
V Volt	H.S.T. Hydrostatic transmission
W Watt	

When the parts were revised

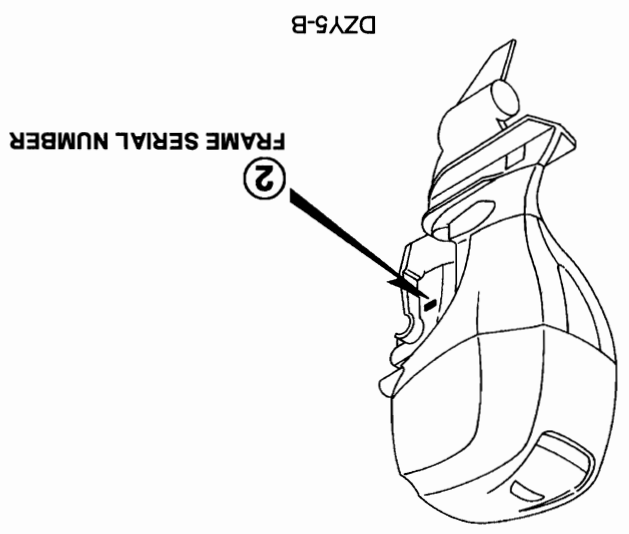
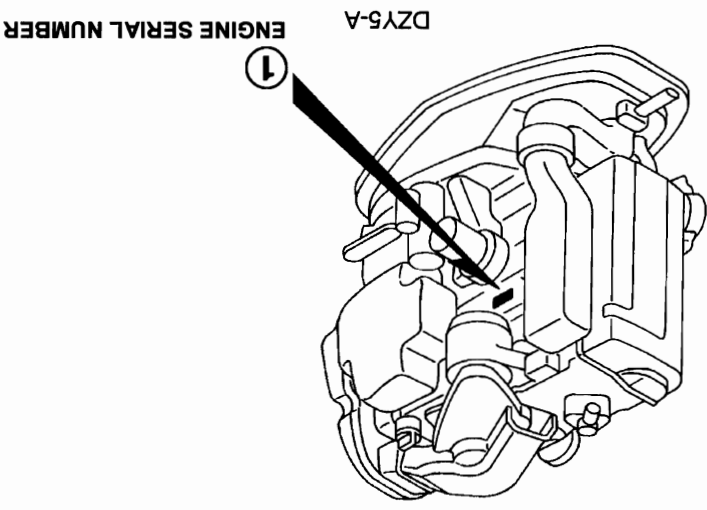
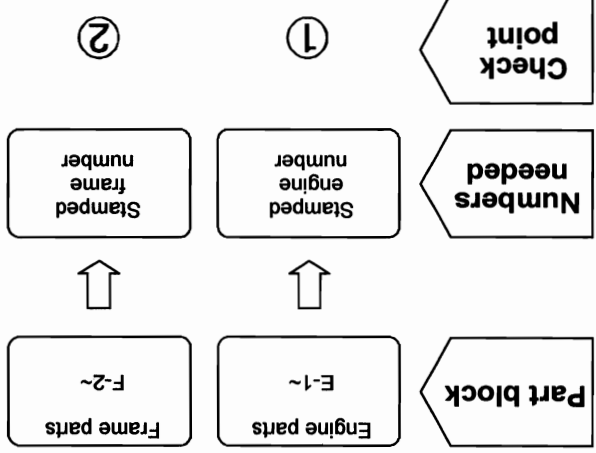


Ref. No.	Part No.	Description	Read QTY	BF 9901	BF 1001	BF 1001	BF 1001	BF 1001	Serial No.
1	12166-ZW9-000	STOPPER, ENGINE SIDE	2	2	2	2	2		
2	12210-ZW9-000ZA	HEAD COMP., CYLINDER	1	1	1	1	1		
3	12251-ZW9-003	GASKET, CYLINDER HEAD	1	1	1	1	1		
4	12310-ZW9-000	COVER COMP., HEAD	1	1	1	1	1		
5	12312-ZW9-000	PACKING, HEAD COVER	1	1	1	1	1		
6	15611-921-000	CAP, OIL	1	1	1	1	1		
7	16617-ZW9-010	HOLDER, CABLE (NO GAUGE)	1	1	1	1	1		
	 (###)							
	 1001801							
	 1001800							
	 SC, SG, LHC, LHD							

The number has been shown at the left side, When shown at the right side, used from the initial model it is applicable to the models, it is applicable to the models without revision.
of No.1001801 and the up to No.1001800.
subsequent numbers.
• The parts listed with "###" at the end of the parts name have limited supply period (parts not for sale).



How to check the part block and serial numbers



Models, parts catalogue codes and applicable serial numbers

• Models, parts catalogue codes and applicable serial Nos. given in this parts catalogue can be identified as follows.

Model	Type	Parts catalogue type	Engine		SE	Applicable engine serial No.	Applicable frame serial No.	
			Model	Type				
BF150A4	XD	XCD	BF150A4	XD	SE	BEANJ-1000001~	BANJ-1000001~	
							XCD	BAPJ-1000001~
							LD	BANJ-1000001~
							LCD	BAPJ-1000001~
BF135A4	XD	XCD	BF135A4	XD		BEARJ-1000001~	BARJ-1000001~	
							XCD	BASJ-1000001~
							LD	BARJ-1000001~
							LCD	BASJ-1000001~



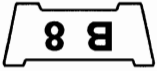
Features of each type

• See the following table for the features of each type.

Specifications	Model		BF135A4				BF150A4			
	Type	LCD	LD	XCD	XD	LCD	LD	XCD	XD	
Transom height	508 mm	•	•			•	•			
	635 mm			•	•			•	•	
Counter rotation		•		•			•		•	
Remote control		(•)	(•)	(•)	(•)	(•)	(•)	(•)	(•)	
Fuel tank		(•)	(•)	(•)	(•)	(•)	(•)	(•)	(•)	
Power tilt		•	•	•	•	•	•	•	•	
Propeller	14-1/2X15	(•)	(•)	(•)	(•)	(•)	(•)	(•)	(•)	
	14-1/4X17	(•)	(•)	(•)	(•)	(•)	(•)	(•)	(•)	
	14X19	(•)	(•)	(•)	(•)	(•)	(•)	(•)	(•)	
	14-3/4X19		(•)		(•)		(•)		(•)	
	14X21	(•)	(•)	(•)	(•)	(•)	(•)	(•)	(•)	
	14-1/2X21		(•)		(•)		(•)		(•)	
	14-1/2X23	(•)	(•)	(•)	(•)	(•)	(•)	(•)	(•)	
	14-1/4X23		(•)		(•)		(•)		(•)	
	14X25		(•)		(•)		(•)		(•)	
	15-1/2X13		(•)		(•)		(•)		(•)	
	15-1/4X15		(•)		(•)		(•)		(•)	
	15X17		(•)		(•)		(•)		(•)	



Fuel hose, general purpose hoses and vinyl hose



- The standard part fuel hose, general purpose hose and vinyl hose may be substituted by the coiled bulk part.
- When ordering the standard part fuel hose, general purpose hose and vinyl hose use the bulk part number written in the parts catalog in brackets () underneath the part name.
- When exchanging the hose, cut and use at the specified length as mentioned in the part name.
- For the method of cutting the bulk part, and method of filling out orders etc., please refer to the instructions issued with the bulk part.

Bulk part number of fuel hose, general purpose hose and vinyl hose.

Example: 95001-75001-50M

Bulk part number:
Refers to the bulk part.

Marking code (fuel hose and general purpose hose)

Change code (Vinyl hose)

Indicates number mark or change sequence, however, the code for the bulk part must be strictly 0 (zero).

Types of code:

- Fuel hose
 - 2: Red outside braid (3 mm inside dia. only)
 - 5: Black inside braid (3 mm inside dia. only)
 - 3: Red (3 mm inside dia. only)
 - 4: Ash gray with red stripe (3 mm inside dia. only)
 - 6: Black (3 mm inside dia. only)
- General hose
 - 1: Ash gray
 - 2: Ash gray
 - 3: Black
 - 5: Black
- Vinyl hose
 - 1: Clear
 - 2: Black
 - 3: Light red
 - 6: Light red
 - 7: Pale black

Lengths:

- 001: 1 m (standard)
 - 003: 3 m
 - 008: 8 m
- Application or specification of some parts is not settled.

ID code: (fuel hose and general purpose hose)

- 30: 3.0 mm
- 50: 5.0 mm
- 55: 5.3 mm, 5.5 mm
- 65: 6.5 mm
- 70: 7.0 mm
- 75: 7.3 mm, 7.5 mm
- 80: 8.0 mm
- 11: 11 mm
- 91: 12 (outside dia. 15) mm
- 12: 12 (outside dia. 17) mm
- 14: 14 mm
- 17: 17 mm

ID/OD. code: (vinyl hose)

- 01: ID. 2.9, OD. 6.8 mm
- 03: ID. 3.0, OD. 6.0 mm
- 05: ID. 3.5, OD. 6.5 mm
- 07: ID. 4.0, OD. 7.0 mm
- 08: ID. 4.5, OD. 6.5 mm
- 09: ID. 4.5, OD. 8.0 mm
- 12: ID. 5.0, OD. 7.0 mm
- 21: ID. 8.0, OD. 9.0 mm
- 23: ID. 8.0, OD. 12.0 mm
- 37: ID. 11.0, OD. 15.0 mm
- 38: ID. 12.0, OD. 13.0 mm
- 50: ID. 16.0, OD. 19.0 mm
- 55: ID. 17.5, OD. 20.5 mm
- 60: ID. 22.0, OD. 27.0 mm

Hose type:

- 1: Fuel hose
- 3: Vinyl hose
- 5: General hose

© CAUTION: It is DANGEROUS to confuse the fuel hose with the general purpose hose or vinyl hose.

Never use a general purpose hose or vinyl hose in place of a fuel hose or vice versa. Always use the correct bulk part in the parts catalogue, according to the service manual or the instructions issued with the bulk part.

How to use the flat rate time (F.R.T.)

This F.R.T. (Flat Rate Time) is used to determine the standard labor time allowed for replacement of parts covered by the warranty during the period the warranty is in effect. The F.R.T. for those parts which are not listed herein should be determined from the operation closely related to the replacement of that part.

1. The F.R.T. is based on the following servicing conditions

- a. A liberal allowance is added to the net servicing time.
- b. Standard times specified are based on the condition that the necessary servicing tools listed in the service manual which describes the Honda service policy are available close at hand and the work performed by a mechanic with normal skill.
- c. Time required for inspection and operational test following the servicing is included in the F.R.T.
- d. The F.R.T. for "*" marked parts are same as the F.R.T. for the representative part above.
- e. The F.R.T. shown with (*) includes engine removal and installation.

- 2. Method of computing**
- The job times are listed in tenth of an hour to simplify computation.
- (Example) 0.3 = 18 minutes 5.6 = 5 hours and 36 minutes

CONVERSION CHART

Hours	Minutes	Hours	Minutes
0.1	6	0.6	36
0.2	12	0.7	42
0.3	18	0.8	48
0.4	24	0.9	54
0.5	30	1.0	60



3. Computing the F.R.T.

The following are only examples and do not reflect the actual F.R.T. for this product.
 When several jobs are performed at the same time, make the calculation in the following manner.
 a. Jobs of non duplicated nature

The F.R.T. for the job is obtained by totalling the F.R.T. for each part replaced.
 (Example) Replacement of head cover gasket and oil filter:

Service item	F.R.T.
Packing, cylinder head cover	0.5
Cartridge, oil filter	0.5
	F.R.T.

The F.R.T. for the job is: $0.5 + 0.5 = 1.0$

b. Jobs of duplicated nature

Take the F.R.T. for the last part to be replaced.
 (Example) Replacement of piston and cylinder head gasket:

Service item	F.R.T.
Gasket comp., cylinder head	3.0
Piston	*5.0
	F.R.T.

The F.R.T. for the job is: 5.0

c. Jobs of partially related nature

Total up the F.R.T. for all of the parts replaced and then subtract the F.R.T. for the duplicated operation (i.e., cylinder head gasket service).
 (Example) Replacement of valve and cylinder head.

Service item	F.R.T.
Valve	*3.0
Head assy., cylinder	*4.0
Gasket comp., cylinder head	*2.5
	F.R.T.

The F.R.T. for the job is: $(3.0 + 4.0) - 2.5 = 4.5$

- The F.R.T. shown with (*) includes engine removal and installation.
- The parts, having the same number of man-hour, are identified by a mark "*", and classified under the title of their representative work.

4. Adjustment, inspection/cleaning, removal and installation

Item	Service item	F.R.T.
Adjustment	Valve clearance Alternator belt Throttle cable	1.7 0.2 0.2
Inspection/ Cleaning	Spark plug Fuel pressure	0.2 0.5
Removal and Installation	Engine Cylinder head Gear case	4.9 3.8 0.7

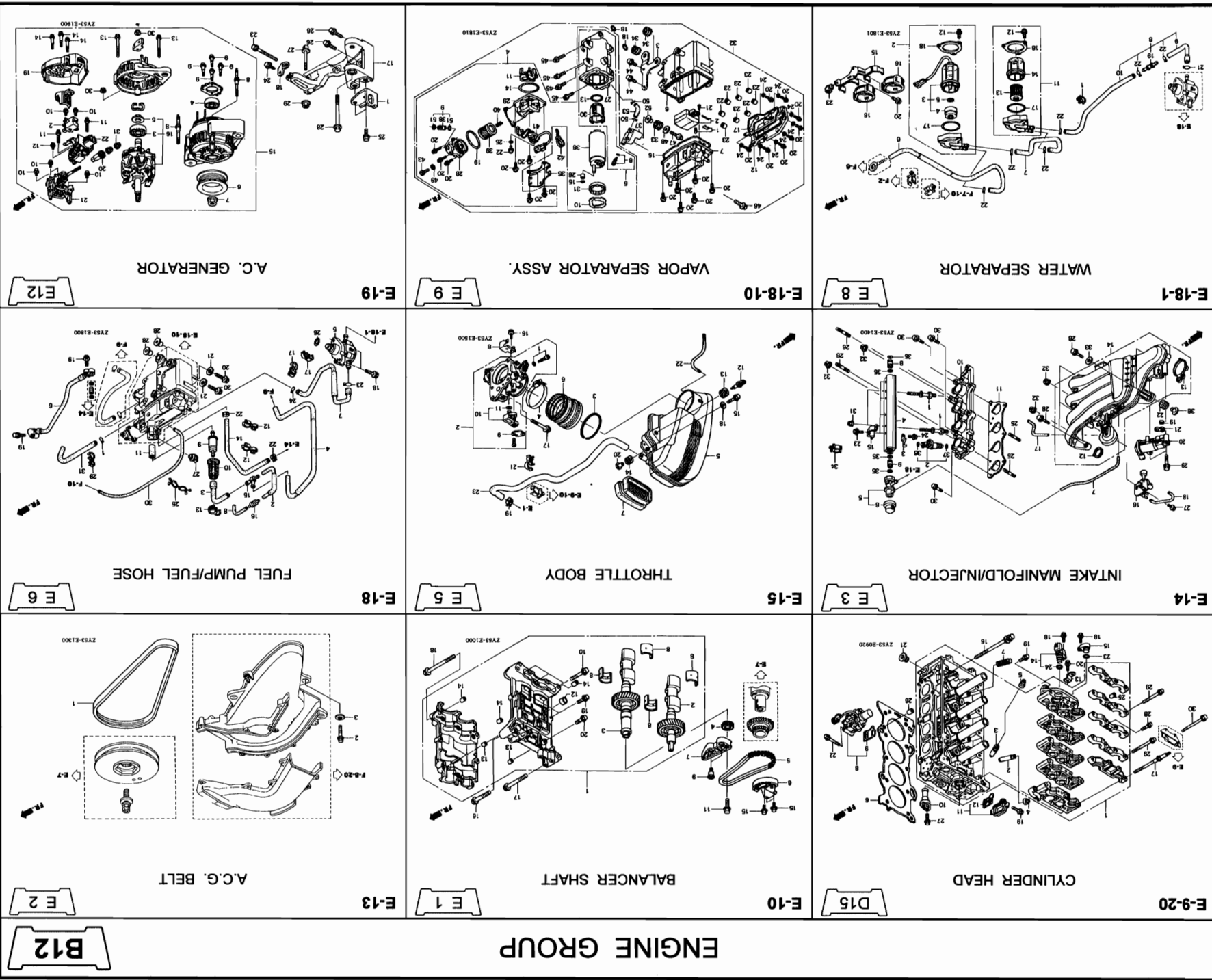
ENGINE GROUP

B11

E-1	D 1	E-3	D 1
CYLINDER HEAD COVER	CYLINDER HEAD COVER	CYLINDER BLOCK	CYLINDER HEAD COVER

E-4	D 2	E-4	D 4
EXHAUST PIPE	EXHAUST PIPE	OIL PAN	EXHAUST PIPE
E-5	D 5	E-6	D 8
OIL PUMP/FLYWHEEL	OIL PUMP/FLYWHEEL	OIL PAN	OIL PAN

E-7	D 9	E-9	D 12
CRANKSHAFT/PISTON	CRANKSHAFT/PISTON	CAMSHAFT/VALVE	CAMSHAFT/VALVE
E-9-10	D 14	E-9-10	D 14
CHAIN CASE	CHAIN CASE	CAMSHAFT/VALVE	CAMSHAFT/VALVE



ENGINE GROUP

B12

E-9-20

CYLINDER HEAD

D15

BALANCER SHAFT

E-13

A.C. BELT

E-2

E-14

INTAKE MANIFOLD/INJECTOR

E-3

THROTTLE BODY

E-5

FUEL PUMP/FUEL HOSE

E-6

E-18-1

WATER SEPARATOR

E-8

E-18-10

VAPOR SEPARATOR ASSY.

E-9

E-19

A.C. GENERATOR

E-12

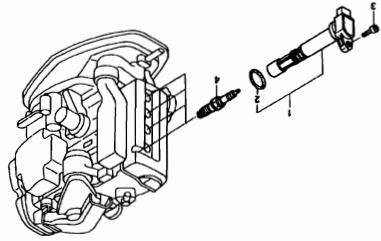
ENGINE GROUP

B13

E-20

IGNITION COIL/PLUG

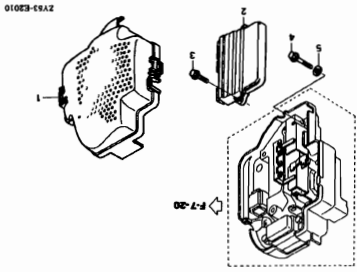
E14



E-20-10

ELECTRONIC CONTROL UNIT

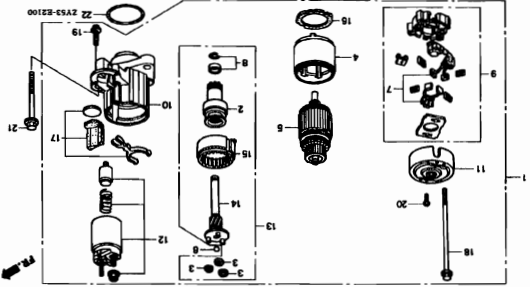
E15



E-21

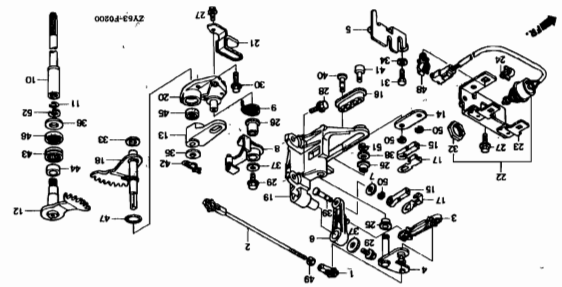
STARTER MOTOR

E16



FRAME GROUP

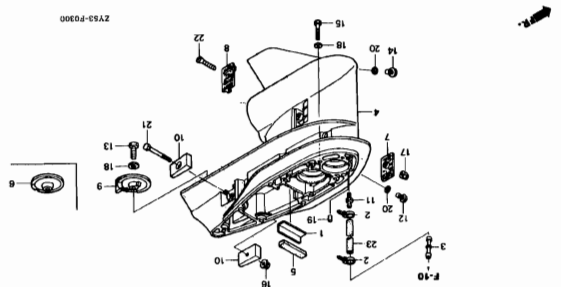
B14



SHIFT SHAFT

F-2

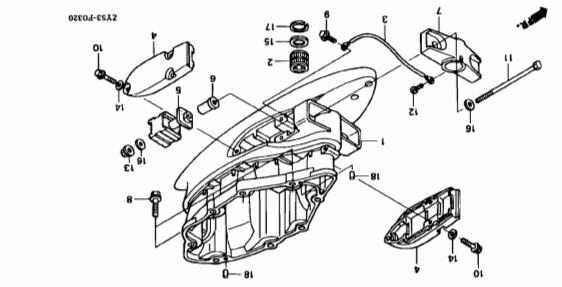
F 1



GEAR CASE

F-3

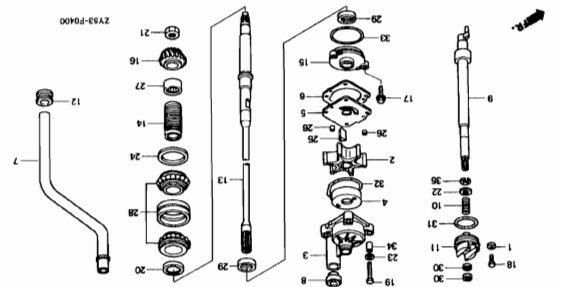
F 4



EXTENSION CASE

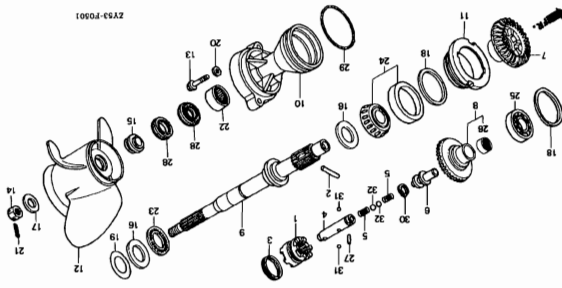
F-3-20

F 7



WATER PUMP/VERTICAL SHAFT

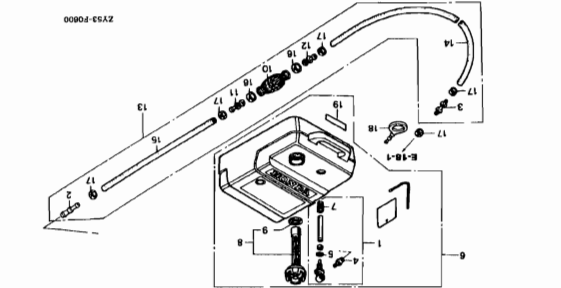
F 8



PROPELLER SHAFT/PROPELLER (LCD/XCD)

F-5-1

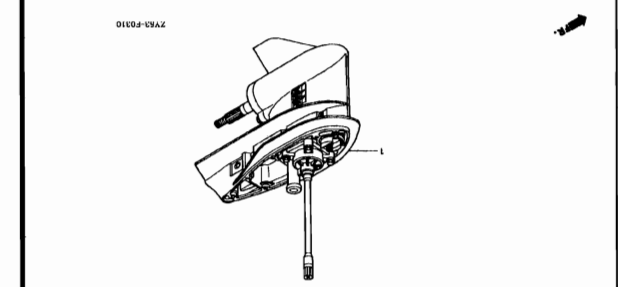
F12



FUEL TANK

F14

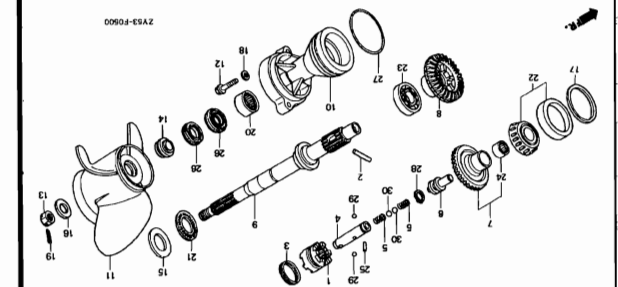
F-6



GEAR CASE ASSY.

F-3-10

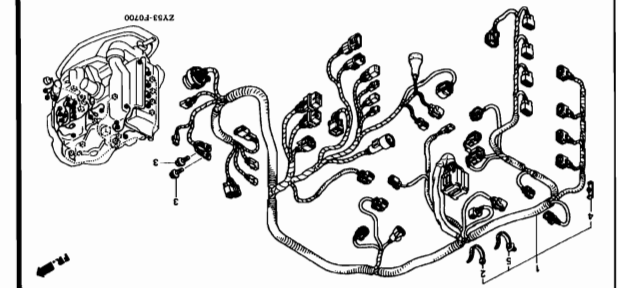
F 6



PROPELLER SHAFT/PROPELLER (LD/XD)

F10

F-5



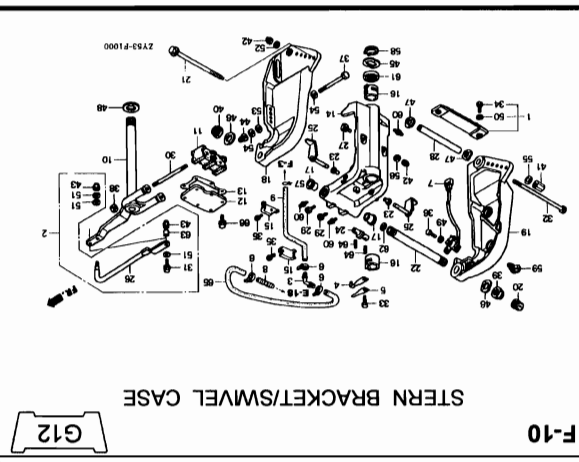
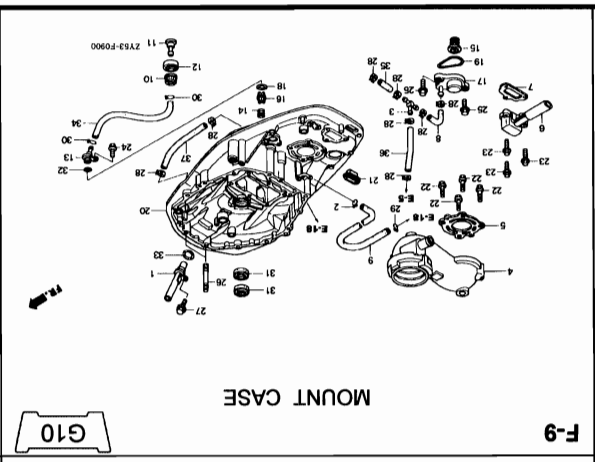
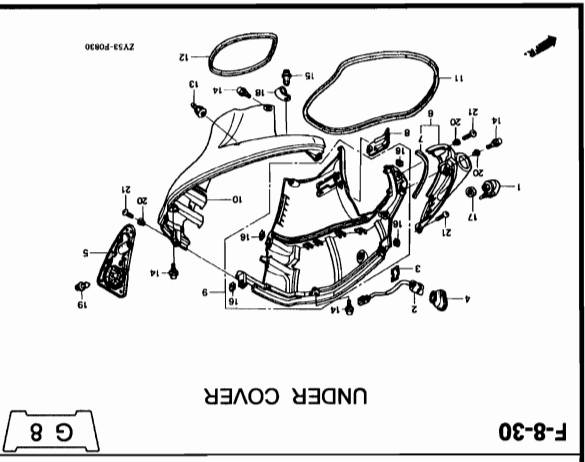
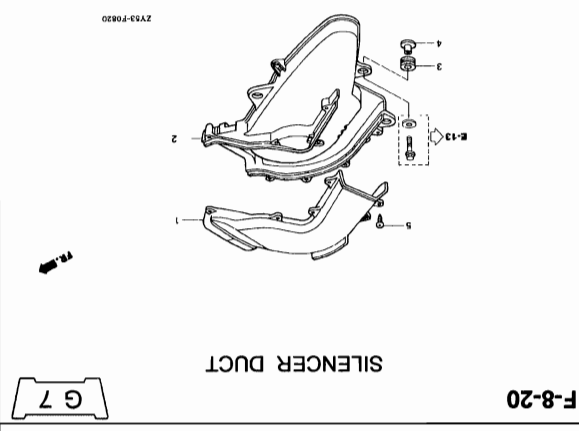
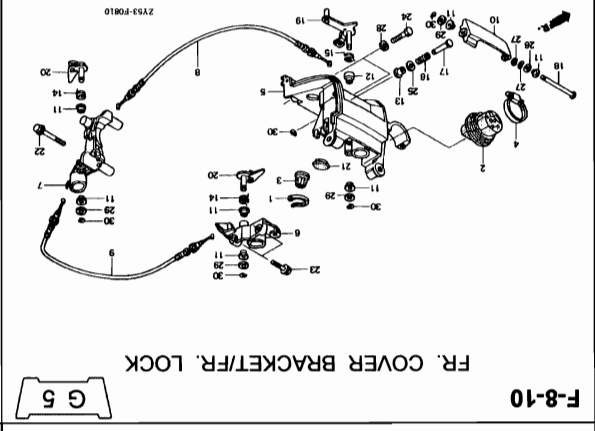
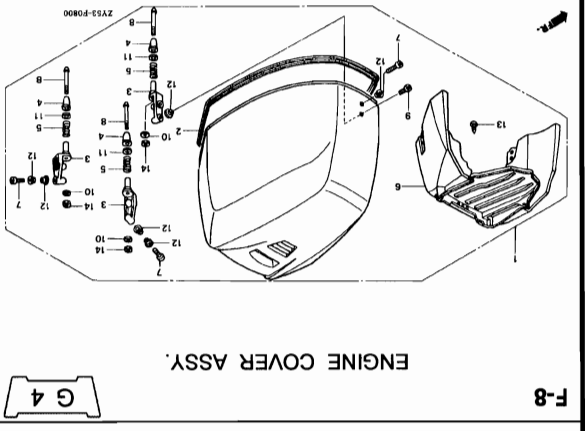
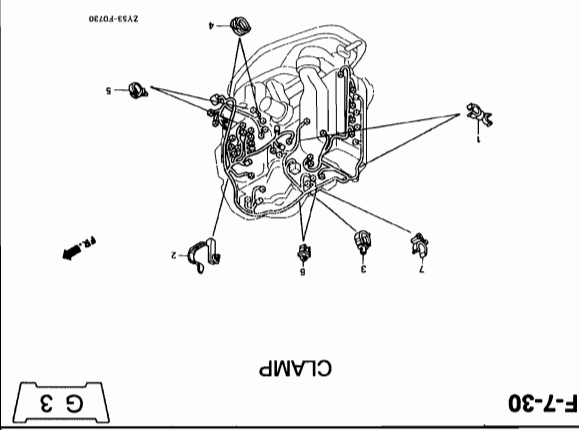
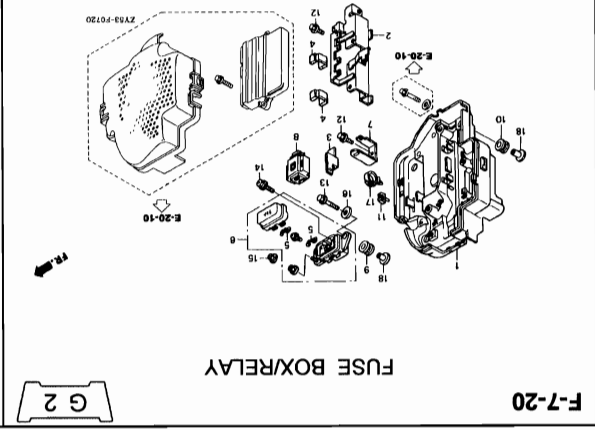
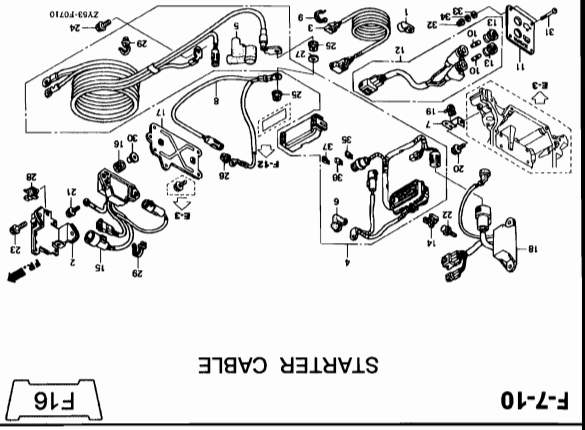
WIRE HARNESS

F15

F-7

B15

FRAME GROUP



FRAME GROUP

B16

<p>F-13</p> <p>TOOLS</p> <p>ZY93-F1300</p> <p>H 1</p>	<p>F-12</p> <p>LABELS</p> <p>ZY93-F1200</p> <p>G16</p>	<p>F-11</p> <p>POWER TRIM-TILT</p> <p>ZY93-F1100</p> <p>G14</p>
<p>FOP-2-1</p> <p>METER(2)</p> <p>ZY93-Y0201</p> <p>H 4</p>	<p>FOP-2</p> <p>METER(1)</p> <p>ZY93-Y0200</p> <p>H 3</p>	<p>FOP-1</p> <p>RIGGING HOSE KIT</p> <p>ZY93-Y0100</p> <p>H 2</p>
<p>FOP-4</p> <p>REMOTE CONTROL COVER KIT</p> <p>ZY93-Y0402</p> <p>H 7</p>	<p>FOP-3</p> <p>ENGINE COVER</p> <p>ZY93-Y0302</p> <p>H 6</p>	<p>FOP-2-2</p> <p>METER(3)</p> <p>ZY93-Y0303</p> <p>H 5</p>

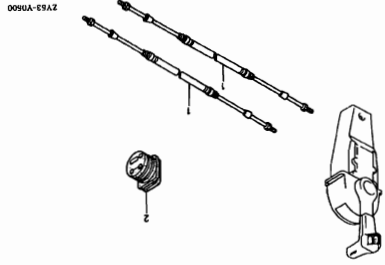


FRAME GROUP

C 1

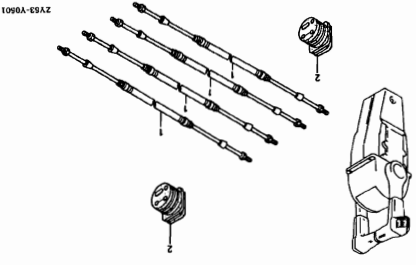
FP-5 H 8

CABLE(SINGLE)



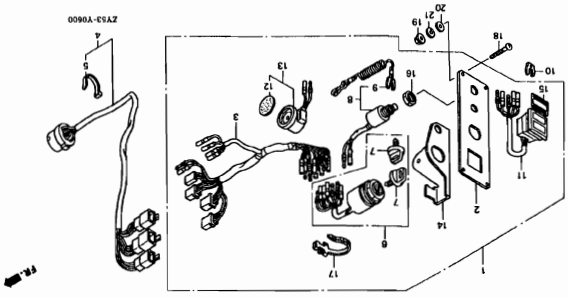
FP-5-1 H 10

CABLE(DUAL)



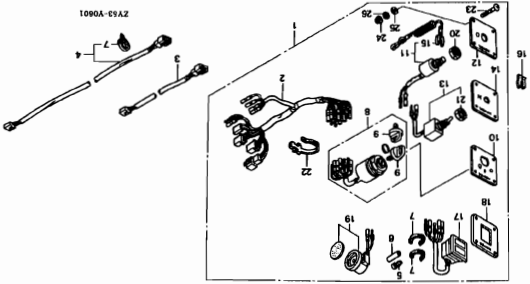
FP-6 H 12

CONTROL PANEL(1)



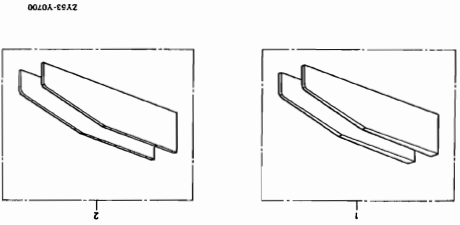
FP-6-1 H 13

CONTROL PANEL(2)



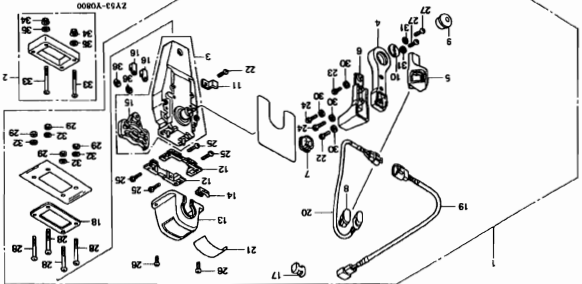
FP-7 H 15

TRIM ADJUST PLATE SET



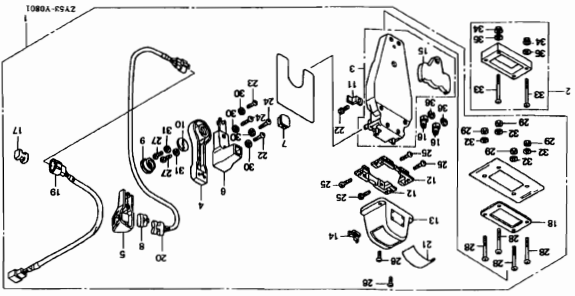
FP-8 H 16

REMOTE CONTROL(TOP MOUNT SINGLE TYPE)(RIGHT)



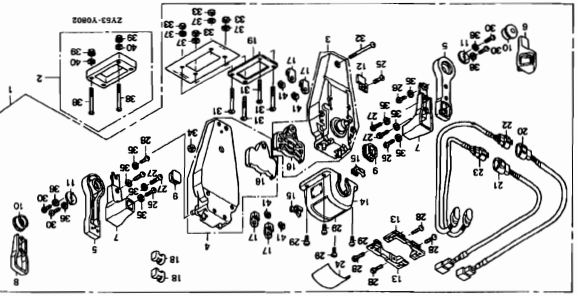
FP-8-1 I 2

REMOTE CONTROL(TOP MOUNT SINGLE TYPE)(LEFT)



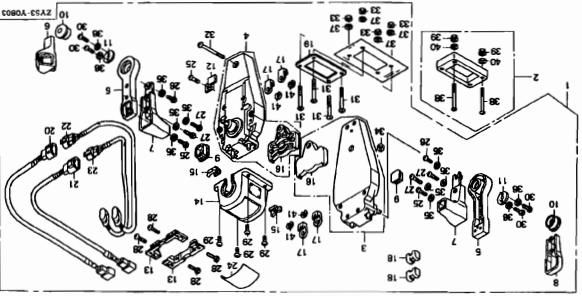
FP-8-2 I 4

REMOTE CONTROL(TOP MOUNT DUAL TYPE)(RIGHT)



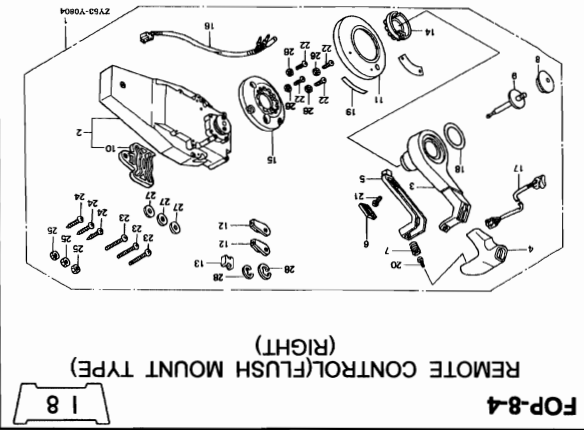
FP-8-3 I 6

REMOTE CONTROL(TOP MOUNT DUAL TYPE)(LEFT)



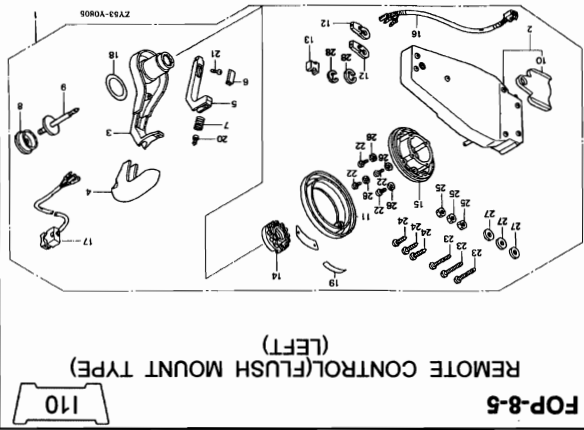
FRAME GROUP

C 2



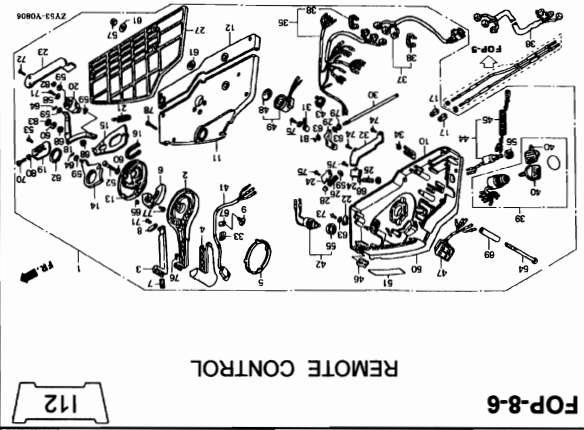
FOP-8-4
REMOTE CONTROL/FLUSH MOUNT TYPE (RIGHT)

18



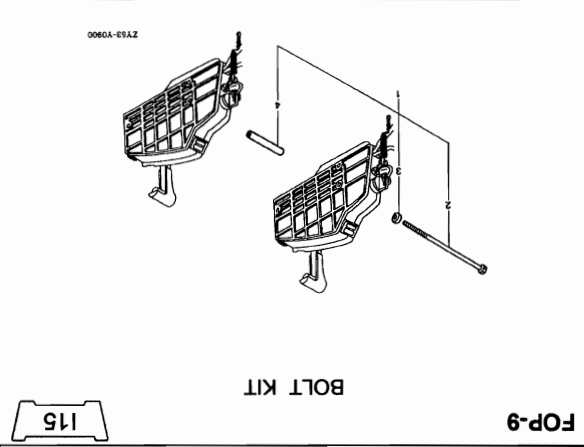
FOP-8-5
REMOTE CONTROL/FLUSH MOUNT TYPE (LEFT)

116



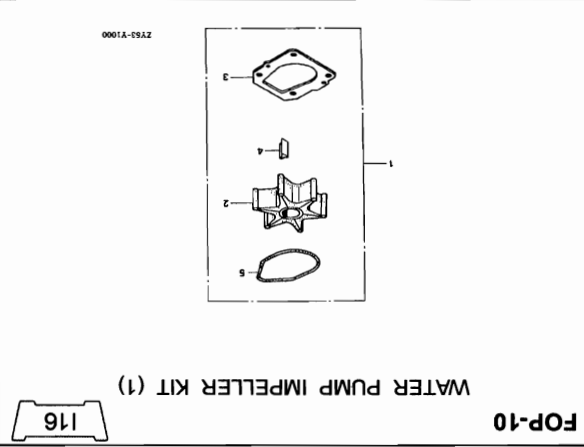
FOP-8-6
REMOTE CONTROL

112



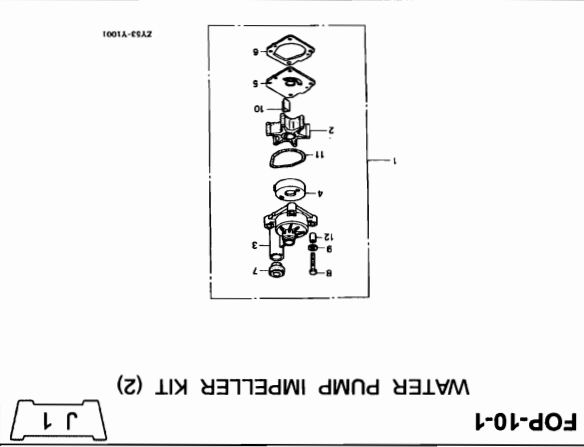
FOP-9
BOLT KIT

115



FOP-10
WATER PUMP IMPELLER KIT (1)

116



FOP-10-1
WATER PUMP IMPELLER KIT (2)

J 1

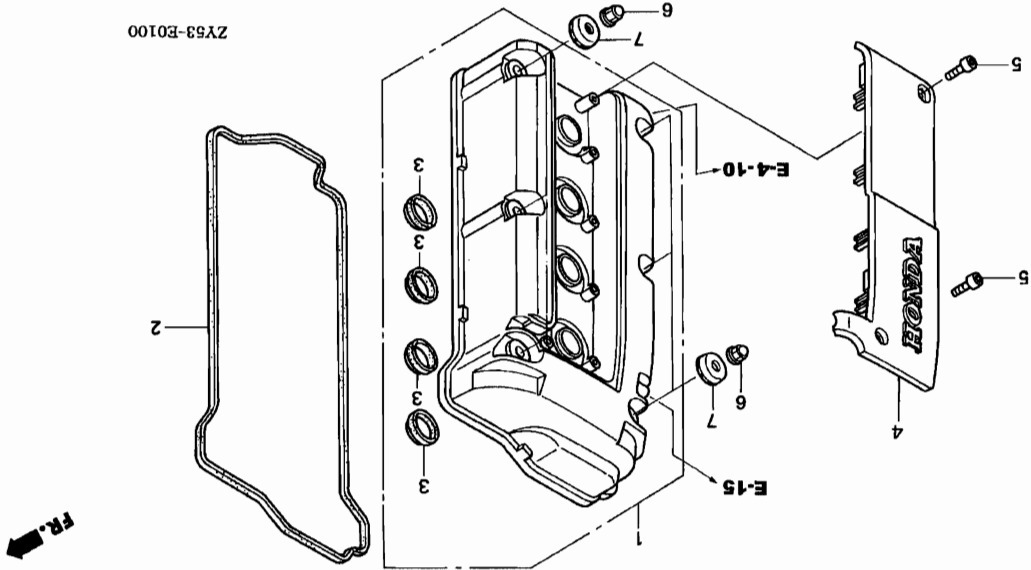
3

CYLINDER HEAD COVER



Service Item F.R.T.

COVER COMP., PLUG HOLE COIL .. 0.1
 COVER COMP., CYLINDER HEAD ... 0.8
 .PACKING B, HEAD COVER
 (SAME TIME FOR TWO UNITS OR MORE)
 .PACKING, CYLINDER HEAD COVER



ZY53-E0100

Ref. No.	Part No.	Description	Reqd. QTY	Serial No.	Parts catalogue code
			BF		
			135		
			150		
			A4		

1	12310-ZY6-000ZA	COVER COMP., CYLINDER HEAD	1		
2	12341-PNA-000	PACKING, CYLINDER HEAD COVER	1		
3	12342-PCX-004	PACKING B, HEAD COVER (NOK)	4		
4	12500-ZY6-000	COVER COMP., PLUG HOLE COIL	1		
5	90057-ZY3-003	BOLT, SOCKET, 6X25	2		
6	90201-ZY6-000	NUT, HEX. CAP, 6MM	6		
7	90401-ZY6-000	WASHER, HEAD COVER	6		



CYLINDER BLOCK

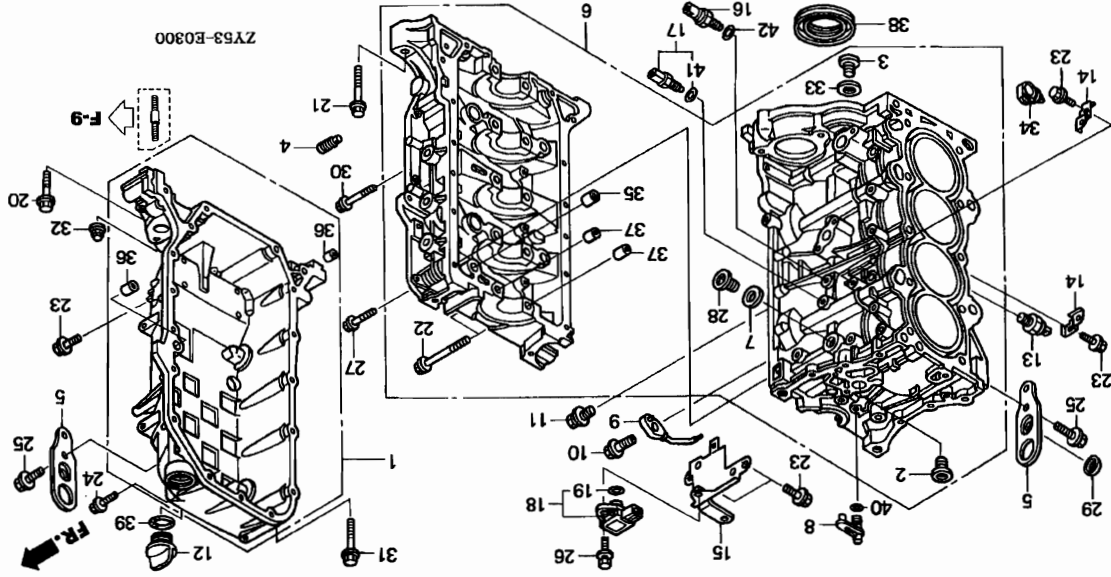
E-3

D 2

Service item F.R.T.

SENSOR ASSY., WATER	0.2
SENSOR ASSY., MAP	0.3
SENSOR ASSY., OIL PRESSURE	0.4
SENSOR, KNOCK	0.7
ORIFICE, OIL JET	1.6
CRANKCASE COMP.	*6.8
OIL SEAL, 80X98X10	*8.0
BODY COMP., OIL JET	*8.1
BLOCK ASSY., CYLINDER	*11.8

(SAME TIME FOR TWO UNITS)

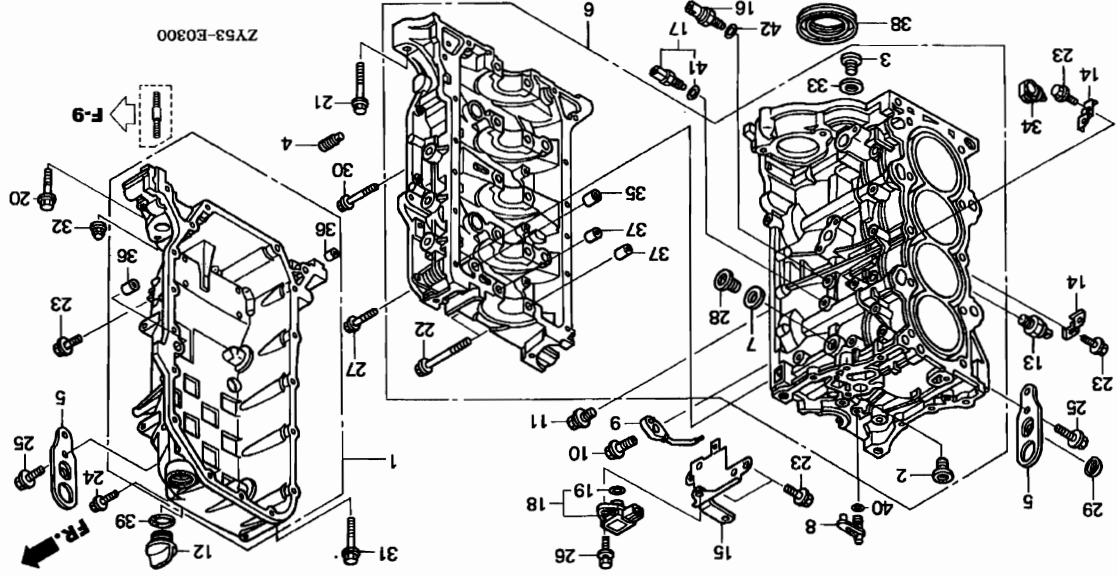
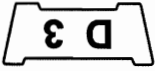


Parts catalogue code

Ref. No.	Part No.	Description	Reqd. QTY	Serial No.
			BF	A4
			BF	135
			BF	150
			A4	A4

1	11100-ZY6-000ZA	CRANKCASE COMP.	1	
		NH8, DARK GRAY	1	
2	11106-PNA-300	BOLT, SEALING, 20MM	1	
3	11106-PR4-013	BOLT, SEALING, 28MM	1	
4	11135-PNA-000	ORIFICE, LOWER BLOCK	1	
5	11911-ZY6-000	HANGER, ENGINE	2	
6	12000-ZY6-000ZA	BLOCK ASSY., CYLINDER	1	
		NH8, DARK GRAY	1	
7	12214-ZV5-000	WASHER, SEALING (22MM)	1	
8	15152-ZY6-000	ORIFICE, OIL JET	1	
9	15280-PRB-A00	BODY COMP., OIL JET	2	
10	15290-PRA-000	BOLT COMP., OIL JET	2	
11	15299-ZY6-000	BOLT-WASHER, 8X10	2	
12	15611-921-000	CAP, OIL (YELLOW)	1	
13	30530-PNA-003	SENSOR, KNOCK	1	
14	32114-ZW9-730	BRACKET, CLIP B	2	
15	32114-ZY6-000	BRACKET D, HARNESS CLIP	1	
16	35490-ZY6-003	SWITCH ASSY., OIL PRESSURE	1	
		SENSOR ASSY., WATER	1	
17	35673-ZY3-003	SENSOR ASSY., MAP	1	
18	37830-PGK-A01	SENSOR ASSY., MAP	1	
19	37835-PGK-A01	O-RING	1	
20	90001-ZY6-000	BOLT, FLANGE, 8X55	2	
21	90005-ZY6-000	BOLT, FLANGE, 12X83	1	
22	90006-PNA-003	BOLT-WASHER, 11X9.5	10	

CYLINDER BLOCK



Parts catalogue code

Ref. No.	Part No.	Description	Serial No.	Reqd. QTY
23	90011-2W9-000	BOLT, FLANGE, 6X14(CT200) ...	A4	8
24	90016-2W9-000	BOLT, FLANGE, 6X25	BF	18
25	90026-2Y3-000	BOLT, FLANGE, 8X20	A4	4
26	90029-2Y3-000	BOLT-WASHER, 5X18		1
27	90054-2Y3-000	BOLT, FLANGE, 8X35		10
28	90081-2Y5-010	BOLT, SEALING, 22MM		1
29	90082-2Y6-003	CAP, BOLT, 8MM		1
30	90156-2W4-000	BOLT, FLANGE, 8X50		4
31	90162-2W4-000	BOLT, FLANGE, 10X70		1
32	90204-2Y3-000	NUT, FLANGE CAP, 10MM		2
33	90401-PR4-000	WASHER, SEALING, 28MM		1
34	90691-2B7-003	CLIP, HARNESS		1
35	90703-PE0-000	DOWEL PIN, 18X22		1
36	90715-PC6-000	DOWEL PIN, 13X20		2
37	90715-PNA-000	DOWEL PIN, 13X14		10
38	91214-PNA-014	OIL SEAL, 80X98X10(ARAI)		1
39	91301-805-000	O-RING, 26X2.7		1
40	91305-2Y6-003	O-RING, 6.5X1.5		1
41	91307-PNA-003	O-RING, 9.5X1.9		1
42	91319-PR3-003	O-RING, 13X1.5(ARAI)		1



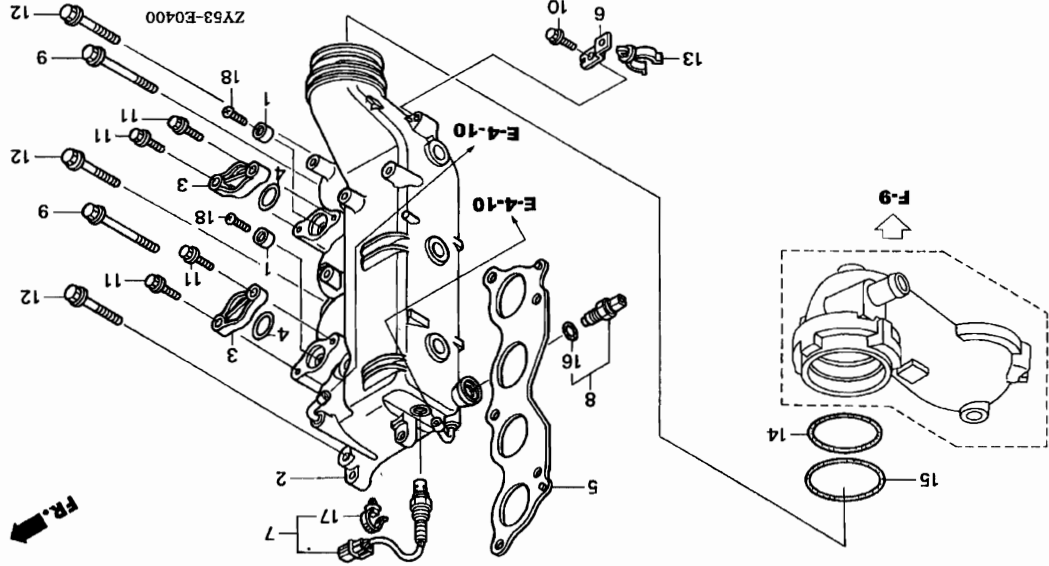
D 4

EXHAUST PIPE

E-4

Service item F.R.T.

METAL, ANODE 0.2
 (ADD 0.1 FOR EACH.)
 .SENSOR ASSY., WATER
 TEMPERATURE
 .SENSOR, AIR FUEL RATIO
 GASKET COMP., EX. MANIFOLD ... 0.6
 .O-RING, 76.4X3.1
 (SAME TIME FOR TWO UNITS)
 .O-RING, 79.8X3.1
 MANIFOLD COMP., EX. 0.7



Ref. No.	Part No.	Description	Reqd. QTY	Serial No.	Parts catalogue code
				BF	
				135	
				150	
				A4	
1	12155-ZV5-000	METAL, ANODE	2		
2	18110-ZY6-000ZA	MANIFOLD COMP., EX.	2		
		NH8	1		
3	18112-ZY6-000	COVER, EX. MANIFOLD	2		
4	18113-ZY6-000	PACKING, EX. MANIFOLD COVER ..	2		
5	18115-ZY6-003	GASKET COMP., EX. MANIFOLD ..	1		
6	19268-ZY6-000	BRACKET, WATER TUBE CLAMP ...	1		
7	35668-ZY6-003	SENSOR, AIR FUEL RATIO	1		
8	35673-ZY3-003	SENSOR ASSY., WATER TEMPERATURE	1		
9	90013-ZY6-000	BOLT, FLANGE, 10X75	2		
10	90021-ZY3-000	BOLT, FLANGE, 6X14	1		
11	90025-ZY3-000	BOLT, FLANGE, 6X22	4		
12	90170-ZW4-000	BOLT, FLANGE, 10X45	3		
13	90604-ZY6-003	CLAMP B, WATER TUBE	1		
14	91301-ZY6-003	O-RING, 76.4X3.1	1		
15	91302-ZY6-003	O-RING, 79.8X3.1	1		
16	91307-PNA-003	O-RING, 9.5X1.9	1		
17	91540-SV4-003	CLIP, HARNESS BAND (NATURAL) (145.2MM)	1		
18	93500-06018-4J	SCREW, PAN, 6X18	2		

E-4-10

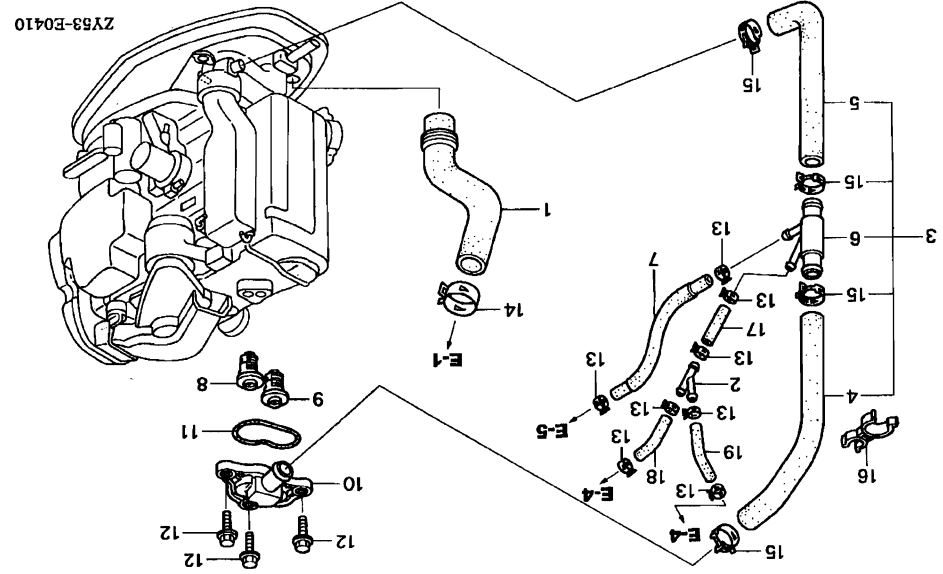
WATER HOSE/THERMOSTAT

D 5

Service item F.R.T.

- COVER, THERMOSTAT 0.1
- (INC. RELATIVE PART)
- TUBE COMP. E, WATER
- TUBE, 7X120
- TUBE, 7X90
- THERMOSTAT ASSY. 0.2
- (ADD 0.1 FOR EACH.)
- TUBE COMP., WATER RELIEF 0.4
- TUBE, OIL

FR. →



Ref. No.	Part No.	Description	Serial No.	Parts catalogue code
		Reqd. QTY		
		BF		
		135		
		150		
		A4		
		A4		

1	15425-ZY6-000	TUBE, OIL	1	
2	16959-MY1-000	JOINT, FUEL TUBE	1	
3	19260-ZY6-000	TUBE COMP., WATER RELIEF	1	
4	19261-ZY6-000	TUBE A, WATER RELIEF	1	
5	19262-ZY6-000	TUBE B, WATER RELIEF	1	
6	19263-ZY6-000	JOINT, FOUR-WAY	1	
7	19266-ZY6-000	TUBE COMP. E, WATER	1	
8	19300-ZY3-023	THERMOSTAT ASSY.	1	
9	19300-ZY6-003	THERMOSTAT ASSY.	1	
10	19315-ZY6-000	COVER, THERMOSTAT	1	
11	19318-ZY6-000	PACKING, THERMOSTAT COVER	1	
12	90025-ZY3-000	BOLT, FLANGE, 6X22	3	
13	90601-ZY3-010	CLAMP, TUBE (D10.5)	8	
14	90602-ZY3-000	CLAMP, TUBE (D32.5)	1	
15	90602-ZY6-000	CLAMP, TUBE (D25.0)	4	
16	90603-ZY6-003	CLAMP, WATER TUBE	1	
17	95005-70075-30	TUBE, 7X75 (95005-70001-30M)	1	
18	95005-70090-30	TUBE, 7X90 (95005-70001-30M)	1	
19	95005-70120-30	TUBE, 7X120 (95005-70001-30M)	1	

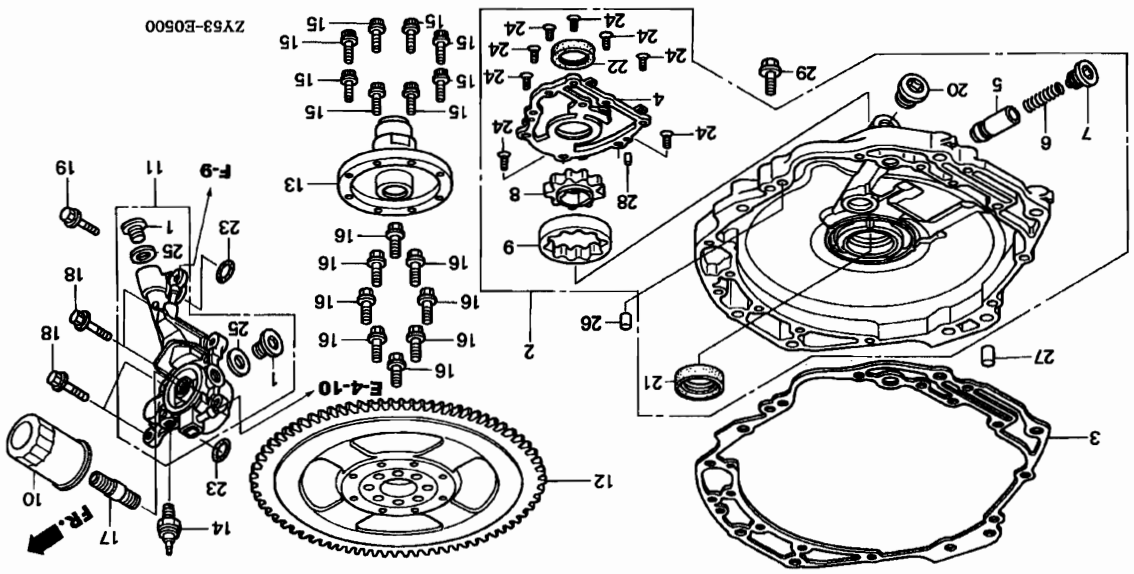
E-5

OIL PUMP/FLYWHEEL

D 6

Service Item F.R.T.

- 0.2 CARTRIDGE, OIL FILTER
- 0.4 SWITCH ASSY, OIL PRESSURE
- 0.5 (ADD 0.1 FOR EACH.)
- 5.0 FLANGE COMP, OIL FILTER
- 5.0 OIL SEAL, 31X46X7
- 5.4 COVER, OIL PUMP
- 5.5 PACKING, OIL PUMP BODY
- 5.5 .PUMP ASSY, OIL
- 5.6 .ROTOR, OUTER OIL PUMP
- 5.6 (INC. RELATIVE PART)
- 5.6 BOSS, FLYWHEEL
- 5.6 .OIL SEAL, 46X60X9
- 5.8 FLYWHEEL COMP.

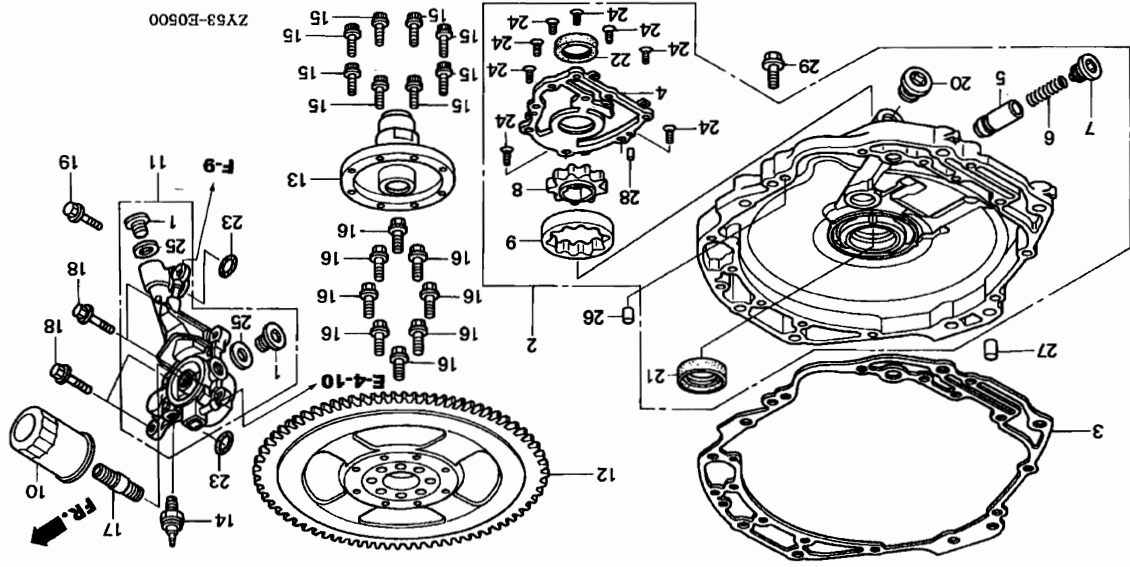


Ref. No.	Part No.	Description	Reqd. QTY	Serial No.	Parts catalogue code
				BF 135	
				BF 150	
				A4	
				A4	

1	12217-ZW1-010	BOLT, SEALING, 20MM	2		
2	15100-ZY6-000ZA	PUMP ASSY, OIL	2		
3	15112-ZY6-000	PACKING, OIL PUMP BODY	1		
4	15121-ZY6-000	COVER, OIL PUMP	1		
5	15231-PE0-000	VALVE, RELIEF	1		
6	15232-P66-000	SPRING, RELIEF VALVE	1		
7	15233-PC6-000	BOLT, SEALING, 18MM	1		
8	15331-ZW5-003	ROTOR, INNER OIL PUMP	1		
9	15341-ZW5-003	ROTOR, OUTER OIL PUMP	1		
10	15400-PLC-003	CARTRIDGE, OIL FILTER (TENNEXX)	1		
11	15410-ZY6-000ZA	FLANGE COMP, OIL FILTER	1		
12	31110-ZY6-000ZA	FLYWHEEL COMP.	1		
13	31116-ZY3-000	*BLACK*	1		
14	35490-ZW9-003	BOSS, FLYWHEEL	1		
15	90002-ZW5-013	BOLT, SPECIAL, 8MM	1		
16	90011-PH3-000	BOLT, FLANGE, 12MM	8		
17	90015-PH1-013	HOLDER, OIL FILTER	1		
18	90016-ZW9-000	BOLT, FLANGE, 6X25	4		
19	90018-ZW5-000	BOLT, FLANGE, 6X20	4		
20	90081-ZV5-010	BOLT, SEALING, 22MM	2		
21	91201-ZW5-003	OIL SEAL, 46X60X9	1		
22	91212-P01-003	OIL SEAL, 31X46X7(NOK)	1		

OIL PUMP/FLYWHEEL

D 7



Ref. No.	Part No.	Description	Serial No.	Parts catalogue code
----------	----------	-------------	------------	----------------------

Reqd. QTY
BF
BF
135
150
A4
A4

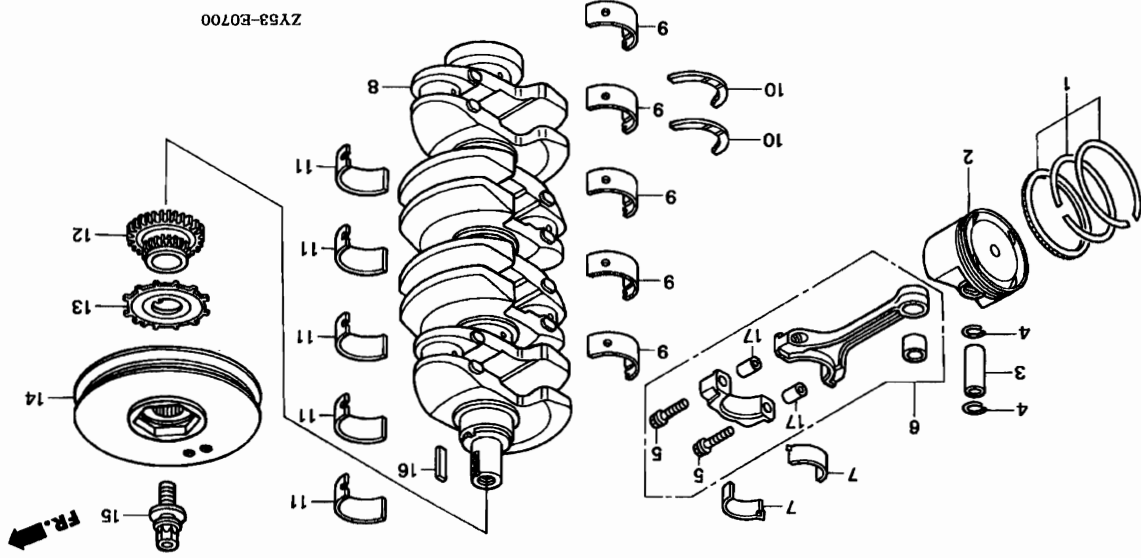
23	91360-VD6-003	O-RING, 22.5X2.4	2	
24	93600-06016-0A	SCREW, FLAT, 6X16	9	
25	94109-20000	WASHER, DRAIN PLUG, 20MM	2	
26	94301-10160	DOWEL PIN, 10X16	1	
27	94301-14200	DOWEL PIN, 14X20	1	
28	94303-05080	DOWEL PIN, 5X8	2	
29	95701-08032-08	BOLT, FLANGE, 8X32	5	

CRANKSHAFT/PISTON

D 9

F.R.T. Service item

- PULLEY, CRANKSHAFT 0.3
- PLATE, CRANK PULSER 1.6
- SPROCKET COMP., CHAIN DRIVE .. *7.6
- RING SET, PISTON *9.1
- PISTON A *9.3
- (ADD 0.4 FOR EACH.)
- ROD COMP., CONNECTING *9.3
- (ADD 0.4 FOR EACH.)
- CRANKSHAFT COMP. *10.1
- (ADD 0.4 FOR EACH.)



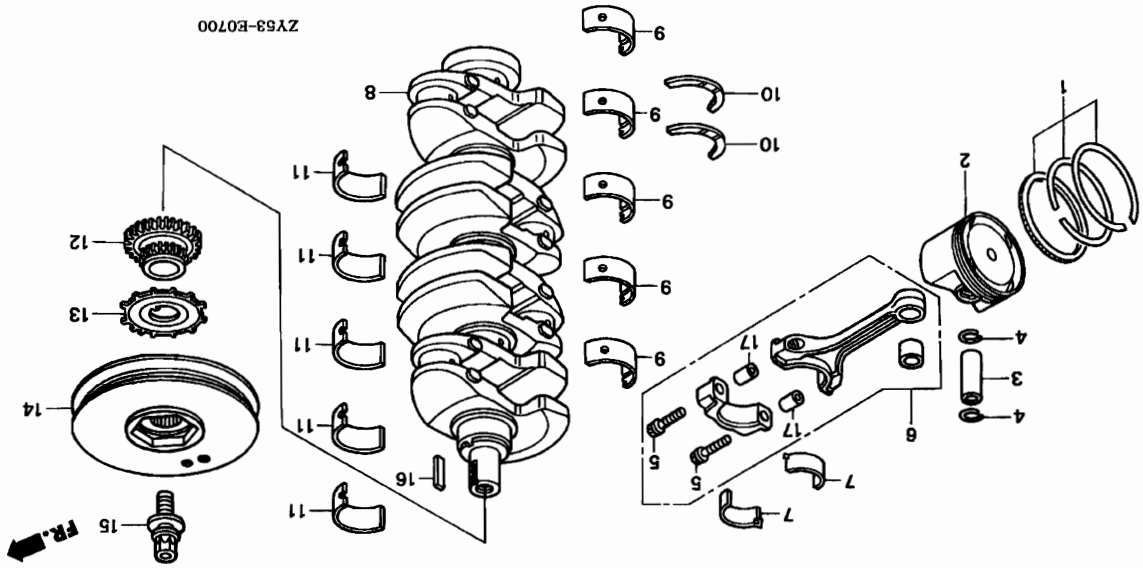
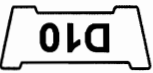
Ref. No.	Part No.	Description	Reqd. QTY	Serial No.	Parts catalogue code
			BF	135	
			BF	150	
			A4	A4	

1	13010-ZY6-000	RING SET, PISTON (STD.)	4	4	
2	13101-ZY6-000	PISTON A	4	4	
		PISTON B	4	4	
3	13111-PNA-000	PIN, PISTON	4	4	
4	13115-P5A-000	CLIP, PISTON PIN	8	8	
5	13204-P8A-A01	BOLT, CONNECTING ROD	8	8	
6	13210-PPA-000	ROD COMP., CONNECTING	4	4	
7	13211-ZY6-004	BEARING A, CONNECTING ROD	8	8	
		BEARING B, CONNECTING ROD	8	8	
		BEARING C, CONNECTING ROD	8	8	
		BEARING D, CONNECTING ROD	8	8	
		BEARING E, CONNECTING ROD	8	8	
		BEARING F, CONNECTING ROD	8	8	
		BEARING G, CONNECTING ROD	8	8	
8	13310-PPA-000	CRANKSHAFT COMP.	1	1	
		(RED)	8	8	
9	13321-PNA-003	BEARING A, MAIN UPPER (BLUE)	5	5	
		(DAIDO)	5	5	
		BEARING A, MAIN UPPER (BLUE)	5	5	
		(TAIHO)	5	5	
		BEARING B, MAIN UPPER (BLACK)	5	5	
		(DAIDO)	5	5	



E-7

CRANKSHAFT/PISTON

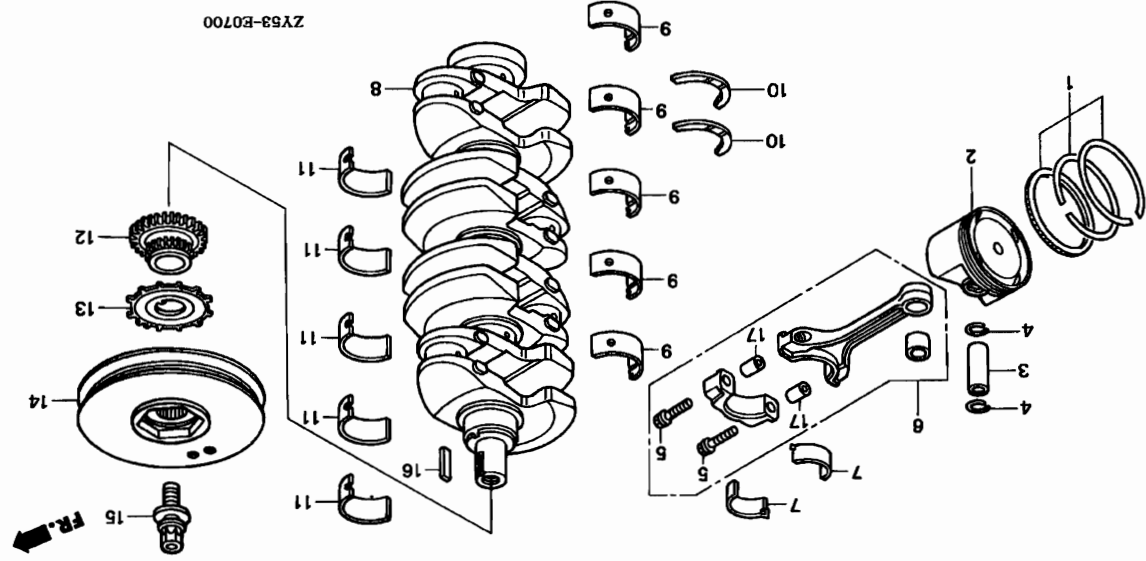


Ref. No.	Part No.	Description	Reqd. QTY	Serial No.	Parts catalogue code
			BF	BF	
			135	135	
			150	150	
			A4	A4	

(9)	13322-PNA-004	BEARING B, MAIN UPPER (BLACK)	5	5	
	13323-PNA-003	BEARING C, MAIN UPPER (BROWN) (DAIDO)	5	5	
	13323-PNA-004	BEARING C, MAIN UPPER (BROWN) (TAIHO)	5	5	
	13324-PNA-003	BEARING D, MAIN UPPER (GREEN) (DAIDO)	5	5	
	13324-PNA-004	BEARING D, MAIN UPPER (GREEN) (TAIHO)	5	5	
	13325-PNA-003	BEARING E, MAIN UPPER (YELLOW) (DAIDO)	5	5	
	13325-PNA-004	BEARING E, MAIN UPPER (YELLOW) (TAIHO)	5	5	
	13326-PNA-003	BEARING F, MAIN UPPER (PINK) (DAIDO)	5	5	
	13326-PNA-004	BEARING F, MAIN UPPER (PINK) (TAIHO)	5	5	
10	13331-PNA-004	WASHER, THRUST (TAIHO)	2	2	
11	13341-PNA-003	BEARING A, MAIN LOWER (BLUE) (DAIDO)	5	5	
	13341-PNA-004	BEARING A, MAIN LOWER (BLUE) (TAIHO)	5	5	
	13342-PNA-003	BEARING B, MAIN LOWER (BLACK) (DAIDO)	5	5	
	13342-PNA-004	BEARING B, MAIN LOWER (BLACK) (TAIHO)	5	5	

CRANKSHAFT/PISTON

D11



Ref. No.	Part No.	Description	Reqd. QTY	Serial No.	Parts catalogue code
11)	1343-PNA-003	BEARING C, MAIN LOWER (BROWN) (DAIDO)	5	A4	
	1343-PNA-004	BEARING C, MAIN LOWER (BROWN) (TAIHO)	5	BF	
	1344-PNA-003	BEARING D, MAIN LOWER (GREEN) (DAIDO)	5	BF	
	1344-PNA-004	BEARING D, MAIN LOWER (GREEN) (TAIHO)	5	BF	
	1345-PNA-003	BEARING E, MAIN LOWER (YELLOW) (DAIDO)	5	A4	
	1345-PNA-004	BEARING E, MAIN LOWER (YELLOW) (TAIHO)	5	A4	
	1346-PNA-003	BEARING F, MAIN LOWER (PINK) (DAIDO)	5	BF	
	1346-PNA-004	BEARING F, MAIN LOWER (PINK) (TAIHO)	5	BF	
12	13620-RAA-AA02	SPROCKET COMP., CHAIN DRIVE (TAIHO)	1		
13	13622-PNA-003	PLATE, CRANK PULSER	1		
14	13811-ZY6-000	PULLEY, CRANKSHAFT	1		
15	90017-PY3-003	BOLT-WASHER, 16X49	1		
16	90704-PNA-000	KEY, 4.5X21	1		
17	94301-10120	DOWEL PIN, 10X12	8		





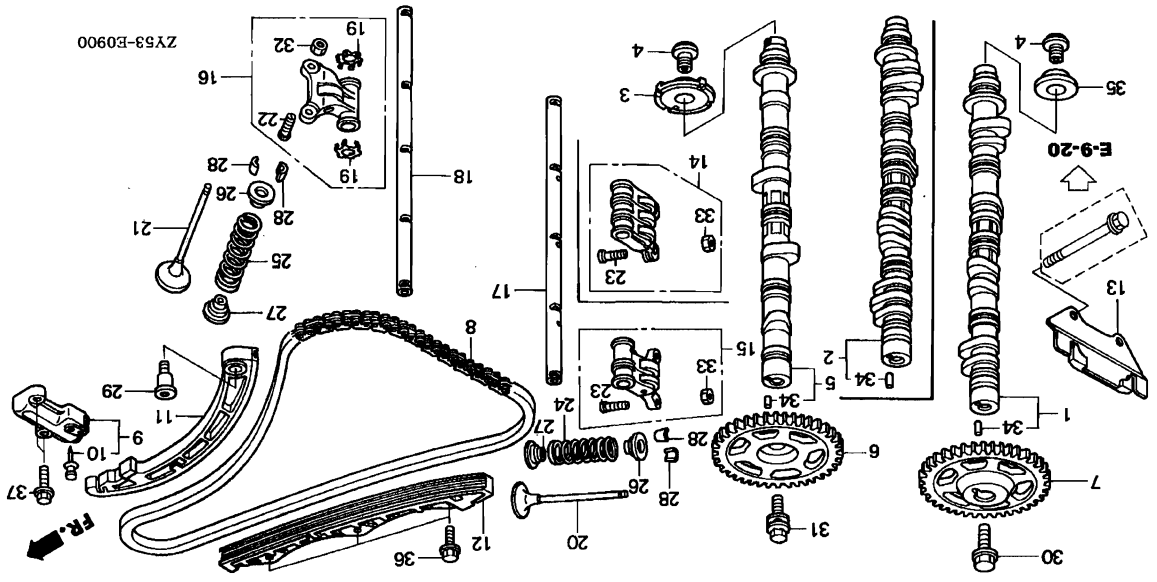
D12

CAMSHAFTVALVE

E-9

Service item F.R.T.

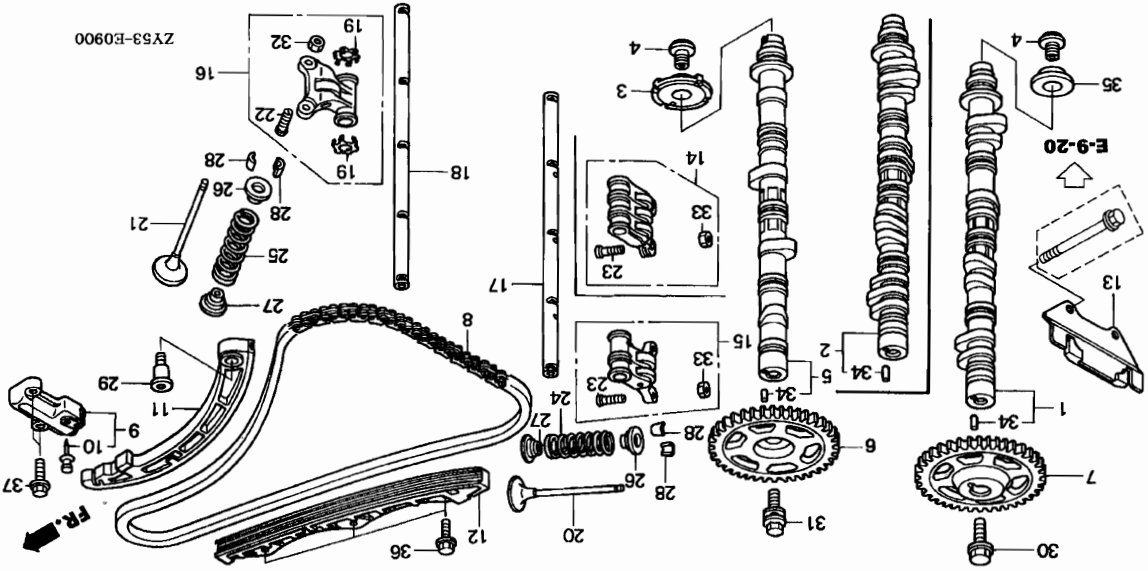
TENSIONER ASSY, CAM CHAIN 0.3
 GUIDE COMP. B, CAM CHAIN 0.8
 GUIDE COMP. CAM CHAIN 1.7
 ARM COMP., CAM CHAIN TENSIONER 1.8
 .CHAIN
 SPROCKET, CAM CHAIN DRIVEN (SAME TIME FOR TWO UNITS) 2.7
 PLATE, TDC PULSE (SAME TIME FOR TWO UNITS) 2.9
 ARM ASSY, ROCKER 2.9
 UNITS OR MORE)
 CAMSHAFT COMP., EX. (ADD 0.1 FOR EACH.) 3.0
 CAMSHAFT COMP., IN. (ADD 0.2 FOR EACH.) 4.1



Ref. No.	Part No.	Description	Serial No.	Parts catalogue code
		Reqd. QTY		
		BF		
		135		
		A4		

1	14110-ZY5-000	CAMSHAFT COMP., IN.	1	
2	14110-ZY6-000	CAMSHAFT COMP., IN.	1	
3	14114-PNA-003	PLATE, TDC PULSE	1	
4	14115-PNA-000	BOLT, SEALING, 14MM	2	
5	14120-ZY6-000	CAMSHAFT COMP., EX.	1	
6	14210-PNA-000	SPROCKET, CAM CHAIN DRIVEN	1	
7	14311-ZY6-000	SPROCKET, CAM CHAIN DRIVEN IN.	1	
8	14401-PPA-004	CHAIN (176L)	1	
9	14510-PNA-003	TENSIONER ASSY, CAM CHAIN	1	
10	14511-PNA-003	STOPPER (TOOL)	(1)	(1)
11	14520-PPA-003	ARM COMP., CAM CHAIN TENSIONER	1	
12	14530-PPA-003	GUIDE COMP., CAM CHAIN	1	
13	14540-PRB-A01	GUIDE COMP. B, CAM CHAIN	1	
14	14620-PNA-020	ARM ASSY, ROCKER	4	
15	14620-RAA-A00	ARM ASSY, ROCKER	4	
16	14624-RAA-A00	ARM ASSY, EX. ROCKER	4	
17	14631-PNE-000	SHAFT, IN. ROCKER	1	
18	14631-PNA-000	SHAFT, ROCKER	1	
19	14633-PNA-000	SHAFT, EX. ROCKER	1	
19	14647-RAA-A00	WASHER, THRUST	8	
20	14711-PNA-000	VALVE, IN.	8	
21	14721-PNA-000	VALVE, EX.	8	
22	14744-PNA-004	SCREW, TAPPET ADJUSTING	8	
23	14744-PT0-004	SCREW, TAPPET ADJUSTING	8	
24	14751-ZY6-003	SPRING, IN. VALVE	8	

CAMSHAFTVALVE



Ref. No.	Part No.	Description	Reqd. QTY	Serial No.	Parts catalogue code
			BF	A4	
			135	A4	
			150	A4	
25	14762-PNA-003	SPRING, EX. VALVE (GRAY) (NIPPON HATSUJO)	8		
26	14765-PNA-000	RETAINER, VALVE SPRING	16		
27	14775-PTO-000	SEAT, VALVE SPRING	16		
28	14781-PR7-A01	COTTER, VALVE	32		
29	90003-PNA-000	BOLT, TENSIONER PIVOT	1		
30	90032-PNA-000	BOLT, FLANGE, 12X47	1		
31	90042-PNA-003	BOLT, FLANGE, 10X32	1		
32	90206-PM3-004	NUT, TAPPET ADJUSTING	1		
33	90206-PTO-004	NUT, TAPPET ADJUSTING (TOKAI TRW)	8		
34	90703-PNA-300	DOWEL PIN, 4.2X10.3	2		
35	91502-ZY6-003	COLLAR, CAMSHAFT	1		
36	95701-06020-08	BOLT, FLANGE, 6X20	3		
37	95701-06030-08	BOLT, FLANGE, 6X30	2		

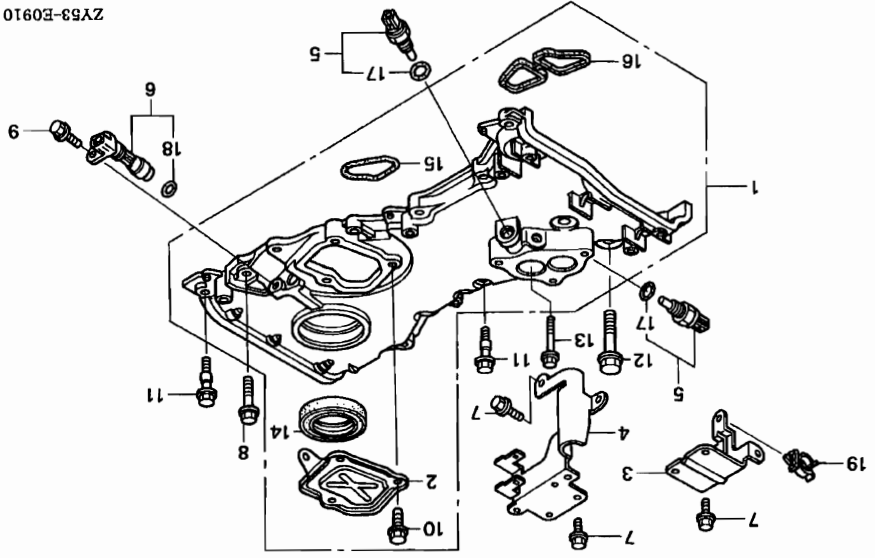


E-9-10

CHAIN CASE

D14

Service item	F.R.T.
SENSOR ASSY., WATER	0.2
(ADD 0.1 FOR EACH.)	
SENSOR ASSY., CRANK	0.3
OIL SEAL, 43X58X7	0.4
0-RING, CHAIN CASE	1.6
PACKING, CHAIN CASE	1.7
CASE ASSY., CHAIN	1.7



ZY53-E0910

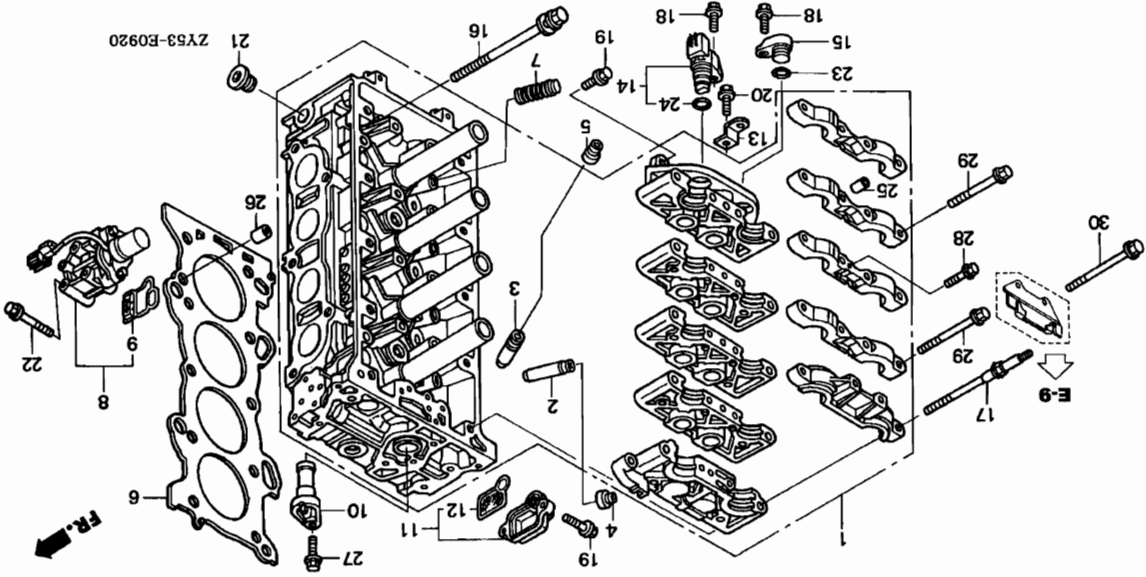
Ref. No.	Part No.	Description	Reqd. QTY	Serial No.	Parts catalogue code
			BF	A4	
			150	A4	

1	11410-ZY6-000ZA	CASE ASSY., CHAIN	1		
		NH8, DARK GRAY	1		
		COVER, CHAIN CASE	1		
		BRACKET B, HARNESS CLIP	1		
		BRACKET C, HARNESS CLIP	1		
5	35673-ZY3-003	SENSOR ASSY., WATER	2		
		TEMPERATURE	2		
6	37500-PN8-003	SENSOR ASSY., CRANK	1		
7	90011-ZW9-000	BOLT, FLANGE, 6X14(C1200)	5		
		BOLT, FLANGE, 6X28	5		
8	90016-ZY3-000	BOLT, FLANGE, 6X16	10		
9	90017-ZY3-000	BOLT, FLANGE, 6X16	1		
10	90021-ZY3-000	BOLT, FLANGE, 6X14	3		
11	90023-ZY6-000	BOLT, SPECIAL, 6X31	2		
		BOLT, FLANGE, 6X31	2		
12	90040-ZY3-000	BOLT, FLANGE, 10X43	3		
13	90059-ZY6-000	BOLT, FLANGE, 6X38	1		
14	91212-PNC-004	OIL SEAL, 43X58X7(ARAI)	1		
15	91302-PNA-004	0-RING, CHAIN CASE	1		
16	91304-ZY6-000	PACKING, CHAIN CASE	1		
17	91307-PNA-003	0-RING, 9.5X1.9	2		
18	91333-PNA-003	0-RING	1		
19	91546-SP0-A01	CLAMP, 18.5MM	1		

E-9-20

CYLINDER HEAD

D15



Service item	F.R.T.
VALVE ASSY, SPOOL	0.2
PLUG, TDC HOLE	0.3
SENSOR ASSY, TDC	0.4
PLUG, VTC HOLE	1.6
GASKET COMP, CYLINDER HEAD	3.8
SEAL A, VALVE STEM	3.9
(ADD 0.1 FOR EACH.)	
HEAD ASSY, CYLINDER	7.6

Ref. No.	Part No.	Description	Reqd. QTY	Serial No.	Parts catalogue code
				BF	
				135	
				A4	

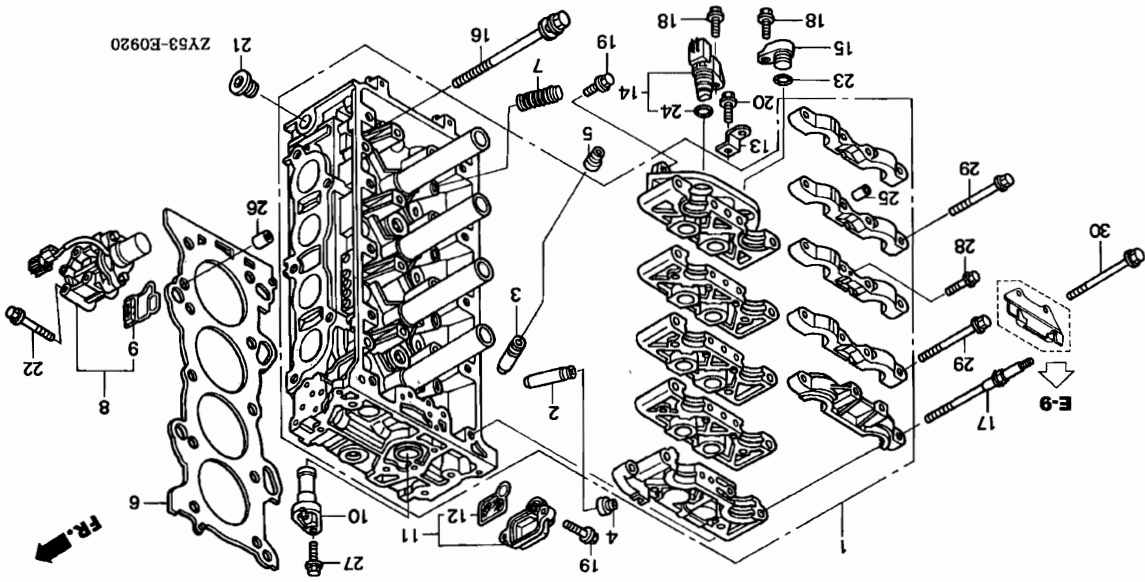
1	12200-ZY6-000ZA	HEAD ASSY, CYLINDER	1		
		NH8			
2	12204-PNA-305	GUIDE, IN. VALVE (OS)	8		
3	12205-PNA-305	GUIDE, EX. VALVE (OS)	8		
4	12210-P21-003	SEAL A, VALVE STEM (ARAI)	8		
		SEAL B, VALVE STEM (NOK)	8		
5	12210-P21-004	SEAL A, VALVE STEM (NOK)	8		
		SEAL B, VALVE STEM (ARAI)	8		
		SEAL B, VALVE STEM (NOK)	8		
6	12251-ZY6-003	GASKET COMP, CYLINDER HEAD	1		
7	14820-PNA-003	MOTION COMP, LOST	-		
8	15810-ZY5-003ZA	VALVE ASSY, SPOOL	1		
		NH8			
		DARK GRAY			
9	15815-RAA-A01	FILTER ASSY, SPOOL VALVE	1		
10	15834-ZY6-000	PLUG, VTC HOLE	1		
11	15840-ZY6-000ZA	STRAINER ASSY, VTC	1		
		NH8			
		DARK GRAY			
12	15845-RAA-A01	FILTER ASSY, VTC	1		
13	32116-ZY6-000	BRACKET F, CLIP	1		
14	37510-PNB-003	SENSOR ASSY, TDC	1		
15	37521-ZY6-000	PLUG, TDC HOLE	1		
16	90005-PNA-003	BOLT-WASHER, 11X155	10		
17	90011-PNA-003	BOLT A, HEAD COVER	6		
18	90017-ZY3-000	BOLT, FLANGE, 6X16	2		
19	90018-ZW5-000	BOLT, FLANGE, 6X20	4		
20	90021-ZY3-000	BOLT, FLANGE, 6X14	1		



21	90048-ZY6-000	BOLT, SEALING, 20MM	1	1
22	90147-ZW4-000	BOLT, FLANGE, 6X55	3	3
23	91303-ZY6-003	O-RING, 15X1,9	1	1
24	91333-PNA-003	O-RING	1	1
25	94301-10160	DOWEL PIN, 10X16	20	20
26	94301-14200	DOWEL PIN, 14X20	2	2
27	95701-06020-08	BOLT, FLANGE, 6X20	1	1
28	95701-06032-08	BOLT, FLANGE, 6X32	1	1
29	95701-08090-08	BOLT, FLANGE, 8X90	12	12
30	95701-08110-08	BOLT, FLANGE, 8X110	2	2

Parts catalogue code

Ref. No.	Part No.	Description	Reqd. QTY	Serial No.
			BF	A4
			BF	A4
			135	A4
			150	A4



CYLINDER HEAD

E-9-20

D16

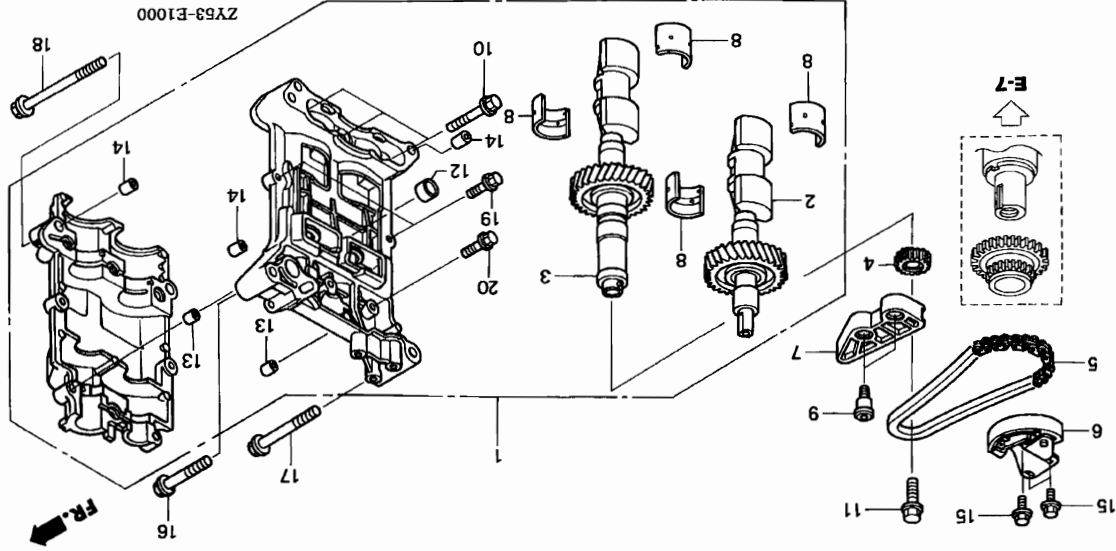
E-10

BALANCER SHAFT



F.R.T. Service item

GUIDE COMP., BALANCER SHAFT CHAIN 1.7
 SPROCKET, DRIVEN (17T) *6.9
 TENSIONER COMP., BALANCER SHAFT CHAIN *7.0
 CASE ASSY., BALANCER HOLDER SHAFT COMP., FR. BALANCER (SAME TIME FOR TWO UNITS) *7.2
 CHAIN *7.5



Ref. No.	Part No.	Description	Reqd. QTY	Serial No.	Parts catalogue code
			BF	135	
			BF	150	
			A4	A4	
1	13400-ZY6-000	CASE ASSY., BALANCER HOLDER	1		
2	13410-RAD-000	SHAFT COMP., FR. BALANCER	1		
3	13420-RAD-000	SHAFT COMP., RR. BALANCER	1		
4	13432-PNA-000	SPROCKET, DRIVEN (17T)	1		
5	13441-PNA-004	CHAIN (62L)	1		
6	13450-PNA-004	TENSIONER COMP., BALANCER	1		
7	13460-PNA-004	GUIDE COMP., BALANCER SHAFT CHAIN	1		
8	15115-PNA-003	METAL, BALANCER SHAFT (DAIDO)	4		
8	15115-PNA-004	METAL, BALANCER SHAFT (TAIHO)	4		
9	90004-PNA-000	BOLT, CHAIN GUIDE	2		
10	90020-ZY6-000	BOLT, FLANGE, 8X55	3		
11	90031-PNA-004	BOLT-WASHER, 10X30	1		
12	90701-ZY6-000	DOWEL PIN, 18X13	1		
13	94301-08100	DOWEL PIN, 8X10	2		
14	94301-12160	PIN A, DOWEL, 12X16	3		
15	95701-06014-08	BOLT, FLANGE, 6X14	3		
16	95701-08050-08	BOLT, FLANGE, 8X50	1		
17	95701-08075-08	BOLT, FLANGE, 8X75	1		
18	95701-10105-08	BOLT, FLANGE, 10X105	2		
19	96300-06025-00	BOLT, FLANGE, 6X25	2		
20	96300-06032-00	BOLT, FLANGE, 6X32	3		

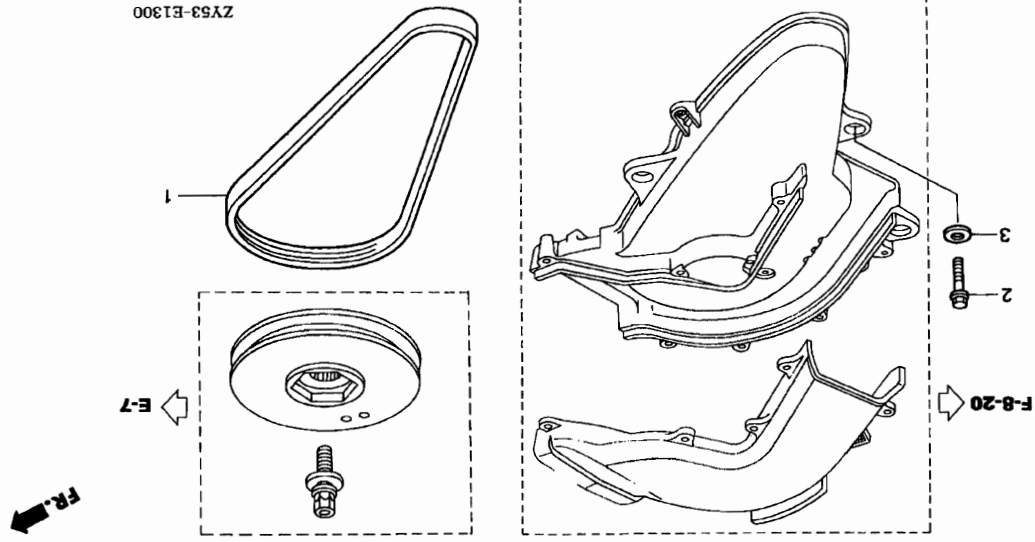


E 2

E-13

A.C.G. BELT

Service item
F.R.T.
BELT, A.C. GENERATOR 0.2



Ref. No.	Part No.	Description	Reqd. QTY	Serial No.	Parts catalogue code
1	31638-ZY6-003	BELT, A.C. GENERATOR (4PK810)	1	BF	
2	90019-ZM5-000	BOLT, FLANGE, 6X25	4	135	
3	90508-ZY3-000	WASHER, PLAIN, 6MM	4	A4	

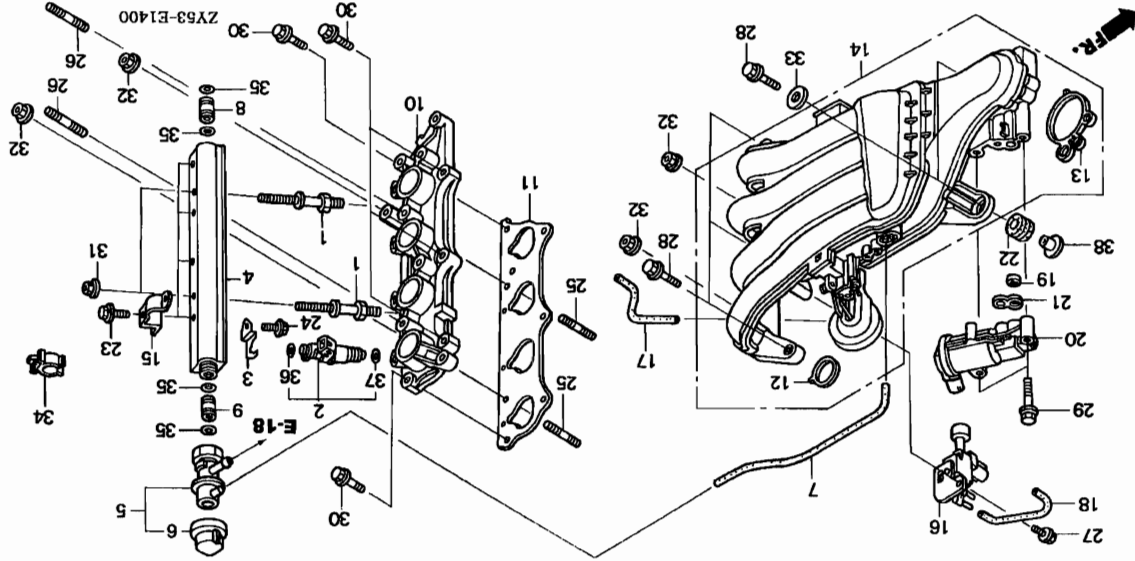
E-14

INTAKE MANIFOLD/INJECTOR

E 3

Service item F.R.T.

VALVE ASSY., ELECTRONIC AIR CONTROL 0.2
 PACKING, THROTTLE BODY 0.3
 INJECTOR ASSY., FUEL 0.5
 (SAME TIME FOR TWO)
 .LINE, FUEL UNITS OR MORE)
 .REGULATOR ASSY., PRESSURE 0.6
 PACKING, INTAKE MANIFOLD (SAME TIME FOR TWO)
 UNITS OR MORE)
 MANIFOLD COMP., INTAKE 0.7
 VALVE ASSY., AIR BYPASS 0.8
 GASKET A, INJECTOR BASE 1.1
 BASE, INJECTOR 1.1



Ref. No.	Part No.	Description	Serial No.	Parts catalogue code
----------	----------	-------------	------------	----------------------

Reqd. QTY

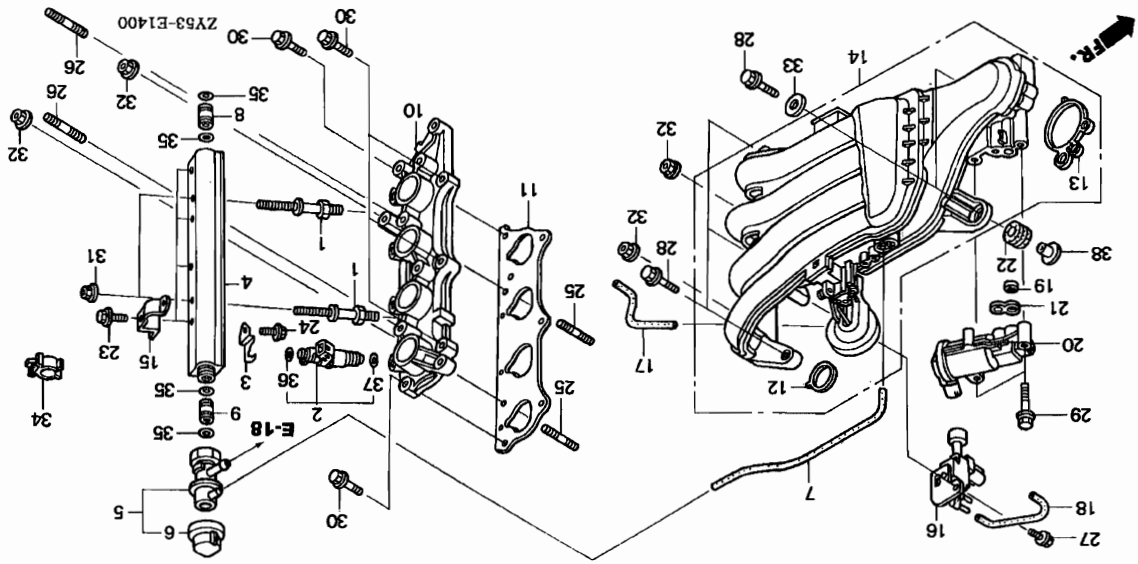
1	16089-2Y6-000	BOLT, FUEL PIPE	2	
2	16450-2Y6-003	INJECTOR ASSY., FUEL	4	
3	16451-2Y6-000	CLIP, INJECTOR	4	
4	16621-2Y6-000	LINE, FUEL	1	
5	16740-2Y6-003	REGULATOR ASSY., PRESSURE	1	
6	16744-2Y6-000	CAP, REGULATOR	1	
7	16748-2Y6-000	TUBE, PRESSURE REGULATOR	1	
8	16752-2Y3-000	JOINT, FUEL PIPE	1	
9	16752-2Y6-000	JOINT, FUEL PIPE	1	
10	17051-2Y6-000ZA	BASE, INJECTOR	1	
		NH8.....DARK GRAY	1	
11	17055-PNA-004	GASKET A, INJECTOR BASE	1	
12	17105-2Y6-000	PACKING, INTAKE MANIFOLD	4	
13	17109-2Y6-000	PACKING, THROTTLE BODY	1	
14	17110-2Y6-003	MANIFOLD COMP., INTAKE	1	
15	32111-2Y6-000	BRACKET A, HARNESS CLIP	4	
16	36163-2Y3-003	VALVE ASSY., AIR BYPASS	1	
17	36364-2Y6-000	TUBE, DIAPHRAGM	1	
18	36366-2Y6-000	TUBE, BYPASS SOLENOID	1	
19	36454-PS4-003	FILTER COMP., ELECTRONIC AIR	1	
20	36550-2Y6-003	VALVE ASSY., ELECTRONIC AIR CONTROL	1	



E 4

INTAKE MANIFOLD/INJECTOR

E-14



Ref. No.	Part No.	Description	Reqd. QTY	Serial No.	Parts catalogue code
			BF 135	A4	
			BF 150	A4	
			A4		

21	36551-ZY6-003	PACKING, ELECTRONIC AIR CONTROL VALVE	1		
22	51640-121-730	RUBBER, FR. CARRIER CUSHION	2		
23	90021-ZY3-000	BOLT, FLANGE, 6X14	4		
24	90042-ZY3-000	BOLT, FLANGE, 6X10	4		
25	90043-ZY6-000	BOLT, STUD 2,8X25	2		
26	90047-ZY6-000	BOLT, STUD 2,8X32	2		
27	90049-ZY6-000	BOLT, FLANGE, 5X12	1		
28	90054-ZY3-000	BOLT, FLANGE, 8X35	5		
29	90126-ZW4-000	BOLT, FLANGE, 8X45	2		
30	90151-ZW4-000	BOLT, FLANGE, 8X25	5		
31	90202-ZY6-000	NUT, FLANGE, 6MM	2		
32	90205-ZY3-000	NUT, FLANGE, 8MM	4		
33	90402-ZY3-000	WASHER, PLAIN, 8MM	2		
34	90687-SB2-003	CLIP, FUEL TUBE, 14	4		
35	91301-MJ0-003	O-RING, 7.8X1.9 (ARAI)	4		
36	91301-PLC-000	O-RING, 7.47X3.6	4		
37	91302-PNA-003	O-RING, 7.45X3.61 (NOK)	4		
38	91551-ZW1-010	COLLAR, 8.3X14.5	2		

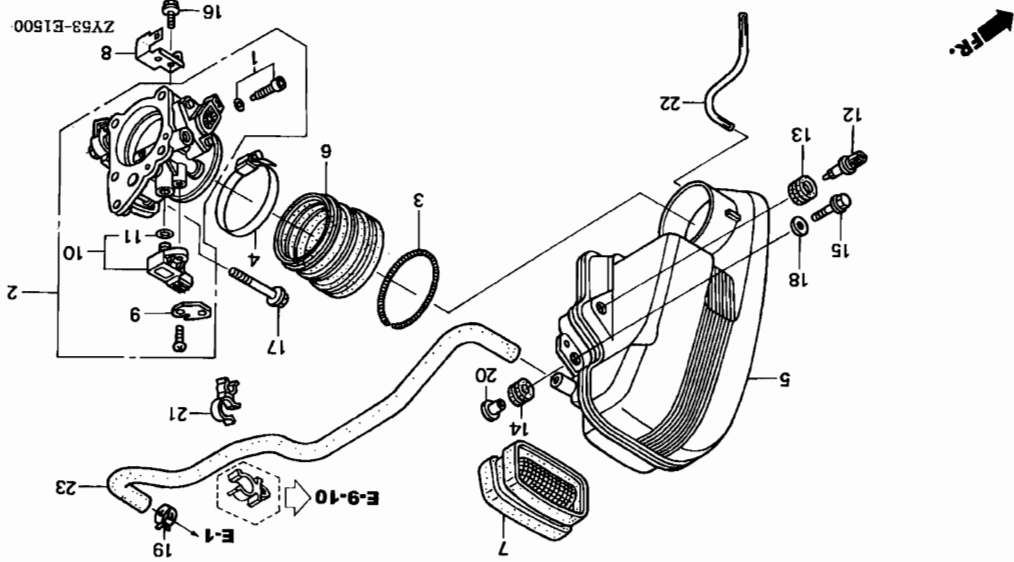
E-15

THROTTLE BODY

E 5

F.R.T. Service item

GROMMET, SILENCER 0.2
 GROMMET, SILENCER DUCT 0.2
 .SENSOR ASSY, AIR TEMP 0.3
 CASE COMP, SILENCER 0.3
 .SENSOR ASSY, MAP 0.3
 THROTTLE BODY ASSY. 0.6



Ref. No.	Part No.	Description	Reqd. QTY	Serial No.	Parts catalogue code
				BF	
				135	
				A4	
				A4	

1	16016-2Y6-003	SCREW SET	1		
2	16400-2Y6-003	THROTTLE BODY ASSY.	1		
3	17249-PY3-000	SPRING, AIR FLOW TUBE	1		
4	17316-2Y3-000	CLAMP, AIR FLOW TUBE	1		
5	17371-2Y6-000	CASE COMP, SILENCER	1		
6	17374-2Y6-000	GROMMET, SILENCER	1		
7	17397-2Y6-003	GROMMET, SILENCER DUCT	1		
8	32115-2Y6-000	BRACKET E, HARNESS CLIP	1		
9	32128-2Y3-000	BRACKET, SENSOR CORD	1		
10	37830-PGK-A01	SENSOR ASSY, MAP	1		
11	37835-PGK-A01	O-RING	1		
12	37880-PLC-004	SENSOR ASSY, AIR TEMP	1		
13	37881-P2A-000	GROMMET, TA SENSOR	1		
14	40102-2V5-000	GROMMET, UNDER CASE	3		
15	90019-2W5-000	BOLT, FLANGE, 6X25	3		
16	90056-2Y3-000	BOLT, FLANGE, 6X12	1		
17	90127-2V1-010	BOLT, FLANGE, 8X60	4		
18	90508-2Y3-000	WASHER, PLAIN, 6MM	3		
19	90601-2V3-010	CLAMP, TUBE (D17)	1		
20	91553-2V5-010	COLLAR, C.D.I. UNIT CASE	3		
21	91595-SF1-003	CLAMP, FUEL HOSE	1		
22	95003-07016-31	TUBE, VINYL, 4X2X160	1		
23	95005-12740-20	TUBE, 12X740(95005-12001-20M)	1		

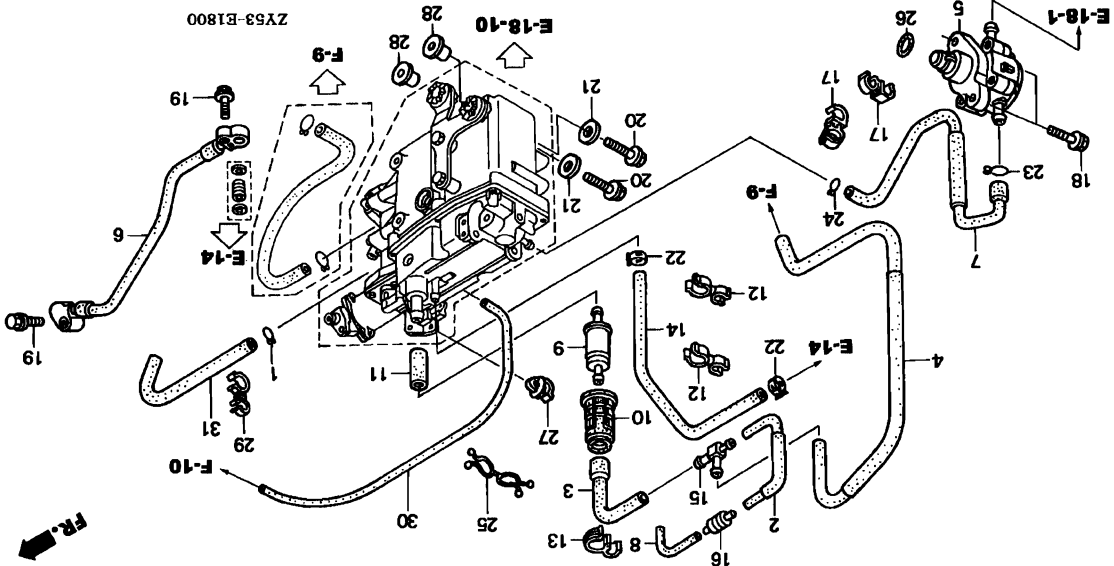
E 6

FUEL PUMP/FUEL HOSE

E-18

F.R.T. Service item

- 0.4 PUMP ASSY, FUEL
- 0.5 TUBE COMP. B, FUEL
- 0.5 HOSE COMP. FUEL
- 0.7 STRAINER, FUEL PUMP



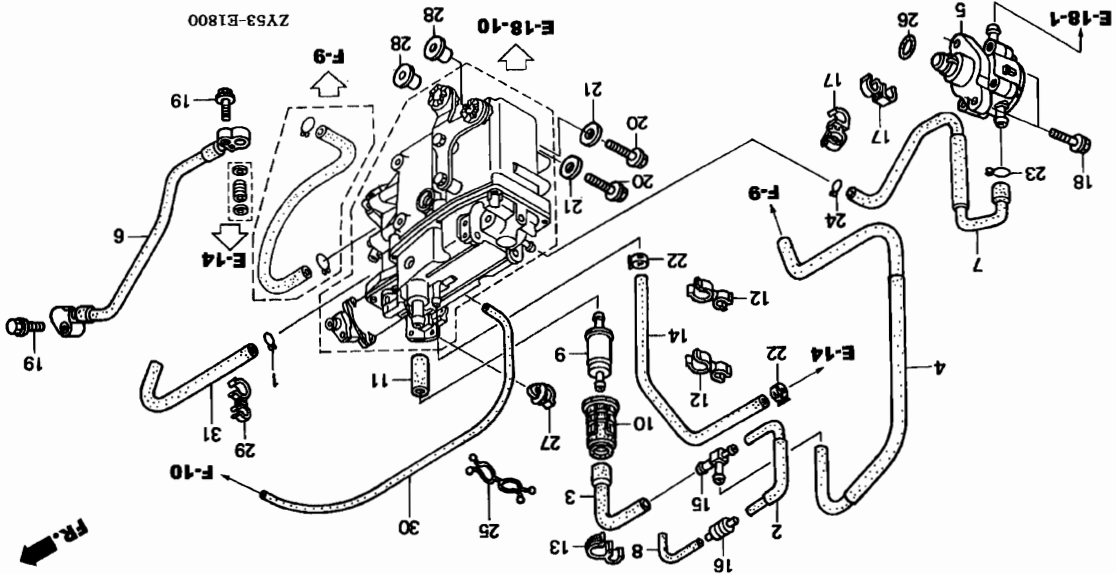
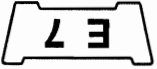
Ref. No.	Part No.	Description	Serial No.	Reqd. QTY
----------	----------	-------------	------------	-----------

1	16163-GHB-610	CLIP, TUBE, (B6.5)	A4	1
2	16196-ZY6-000	TUBE COMP. C, AIR VENT	A4	1
3	16198-ZY6-000	TUBE B, AIR VENT	BF	1
4	16199-ZY6-000	TUBE COMP. AIR VENT	BF	1
5	16700-ZY6-013	PUMP ASSY, FUEL	BF	1
6	16755-ZY6-003	HOSE COMP. FUEL	A4	1
7	16860-ZY6-000	TUBE COMP. B, FUEL	A4	1
8	16881-ZY5-000	TUBE D, FUEL	A4	1
9	16911-759-003	STRAINER, FUEL PUMP	A4	1
10	16915-ZW5-000	SUSPENSION, STRAINER	A4	1
11	16952-MZ5-000	TUBE B, FUEL	A4	1
12	16965-VMD-771	CLAMP, HOSE	A4	2
13	17368-KV7-671	CLAMP, PIPE	A4	1
14	17723-ZY6-000	HOSE, PRESSURE REGULATOR	A4	1
15	19269-ZY6-000	T-JOINT	A4	1
16	36135-ZY6-003	VALVE, CHECK	A4	1
17	53740-SED-953	CLIP, SENSOR HOSE	A4	2
18	90010-ZY6-000	BOLT, FLANGE, 6X27	A4	2
19	90016-ZW9-000	BOLT, FLANGE, 6X25	A4	2
20	90054-ZY3-000	BOLT, FLANGE, 8X35	A4	2
21	90402-ZY3-000	WASHER, PLAIN, 8MM	A4	2
22	90601-ZW5-010	CLAMP, TUBE (D10.7)	A4	2
23	90601-ZY6-000	CLIP, TUBE (B1 14.5)	A4	1
24	90604-881-000	CLIP, TUBE (B12)	A4	1

Parts catalogue code

E-18

FUEL PUMP/FUEL HOSE



Parts catalogue code

Reqd. QTY

BF 135
BF 150
A4 A4

Serial No.

Description

Part No.

Ref. No.

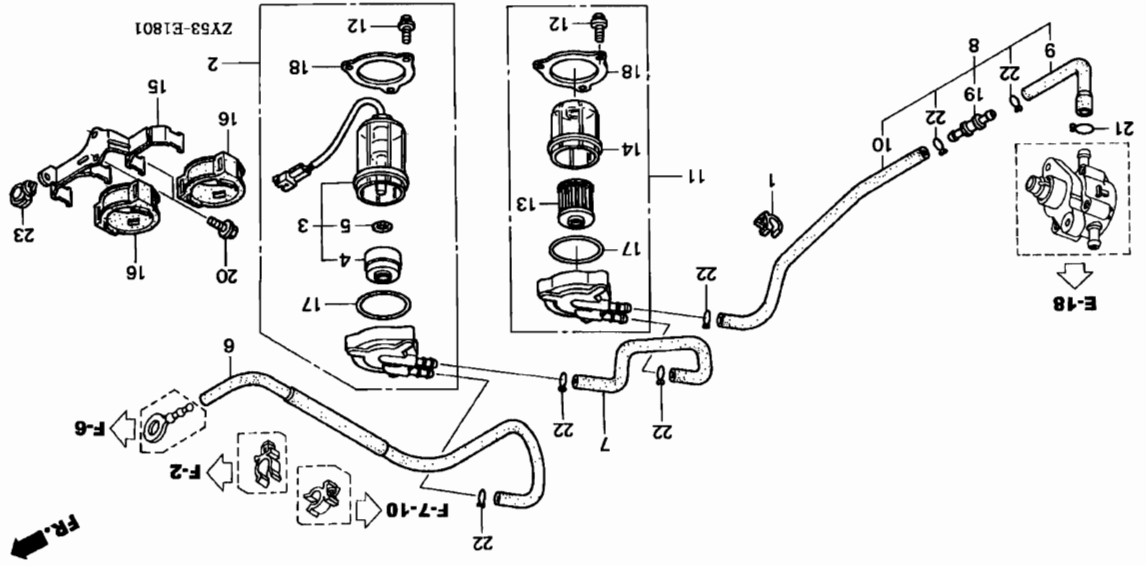
25	90605-ZY6-003	CLIP, FUEL HOSE	1	1	
26	91317-PA9-003	O-RING, 33.2X2.4(NOK)	1	1	
27	91547-SE0-003	CLIP, HARNESS	1	1	
28	91551-ZW1-010	COLLAR, 8.3X14.5	2	2	
29	91599-SH3-A32	CLAMP, PURGE HOSE	1	1	
30	95001-35430-40	TUBE, FUEL, 3.5X430	1	1	(95001-35001-60M)
31	95005-70400-30	TUBE, 7X400(95005-70001-30M)	1	1	

2

E-18-1

WATER SEPARATOR

E 8



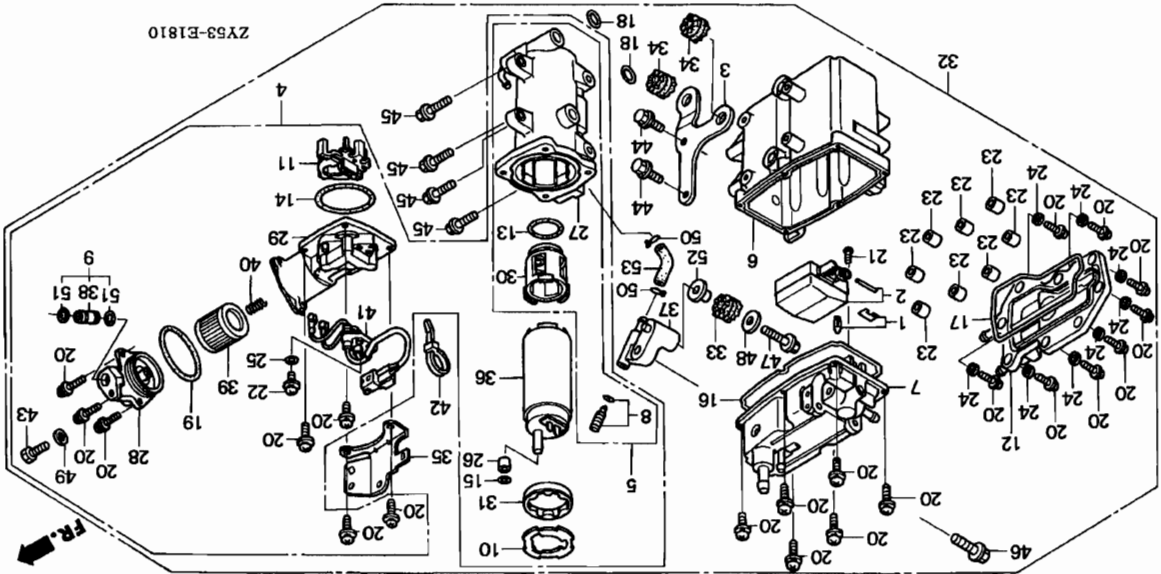
Service Item	F.R.T.
TUBE C, FUEL	0.1
SEPARATOR ASSY, WATER	0.4
STRAINER COMP, FUEL	0.4
TUBE ASSY, D, FUEL	0.5
BUFFER, PLATE	0.5
STRAINER, FUEL	0.6
TUBE COMP. A, FUEL	0.6

Ref. No.	Part No.	Description	Reqd. QTY	Serial No.	Parts catalogue code
1	16731-ZE2-003	CLIP, TUBE	1	A4	
2	16800-ZY6-003	SEPARATOR ASSY, WATER	1	BF	
3	16805-ZY6-003	CUP SET, WATER SEPARATOR	1	135	
4	16807-ZY3-003	BUFFER, PLATE	1	150	
5	16818-ZY3-003	O-RING	1	A4	
6	16850-ZY6-000	TUBE COMP. A, FUEL	1		
7	16871-ZY6-000	TUBE C, FUEL	1		
8	16880-ZY6-000	TUBE ASSY, D, FUEL	1		
9	16881-ZY6-000	TUBE D, FUEL	1		
10	16890-ZY6-000	TUBE COMP. E, FUEL	1		
11	16900-ZY3-003	STRAINER COMP, FUEL	1		
12	16904-ZY3-003	SCREW, PAN, 5X12	6		
13	16911-ZY3-003	STRAINER, FUEL	1		
14	16912-ZY3-003	CUP, FUEL STRAINER	1		
15	16914-ZY6-000	STAY, FUEL STRAINER	1		
16	16915-ZY3-000	SUSPENSION, STRAINER	2		
17	16918-ZY3-003	O-RING	2		
18	16919-ZY3-003	PLATE	2		
19	16966-MR5-000	JOINT, FUEL TUBE	1		
20	90021-ZY3-000	BOLT, FLANGE, 6X14	2		
21	90601-ZY6-000	CLIP, TUBE (B1 14.5)	1		
22	90604-881-000	CLIP, TUBE (B12)	6		
23	90683-SA0-003	CLIP, WIRE HARNESS, 25MM	1		

E-18-10

VAPOR SEPARATOR ASSY.

E 9



Service Item	F.R.T.
O-RING (REF NO,17)	0.4
SEPARATOR ASSY, VAPOR	0.5
.....	0.6
O-RING (REF NO,16)	
.....	
PUMP UNIT, FUEL (REF NO,19)	
.....	
PUMP UNIT, FUEL (REF NO,4)	
.....	
FUEL STRAINER	
.....	
BODY COMP, CHAMBER	
.....	
PUMP UNIT, FUEL (REF NO,36)	0.7

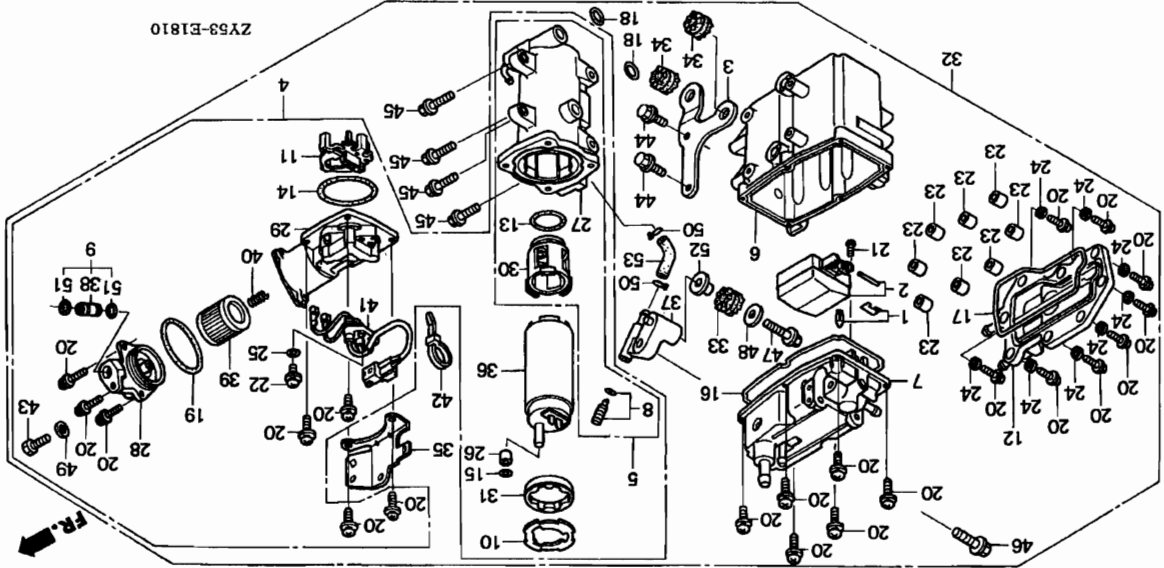
Ref. No.	Part No.	Description	Reqd. QTY	Serial No.	Parts catalogue code
				BF	
				BF	
				135	
				150	
				A4	
				A4	

1	16011-ZY3-000	VALVE SET, FLOAT	1		
2	16013-ZY3-000	FLOAT SET	1		
3	16014-ZY6-003	STAY A, PLATE	1		
4	16017-ZY6-003	PUMP UNIT, FUEL	1		
5	16018-ZY6-003	CASE SET, PUMP	1		
6	16019-ZY6-003	BODY COMP, CHAMBER	1		
7	16020-ZY6-003	COVER COMP.	1		
8	16024-ZY3-000	SCREW SET, DRAIN	1		
9	16026-ZY3-000	JOINT SET	1		
10	16041-ZY3-000	PLATE	1		
11	16042-ZY3-000	HOLDER	1		
12	16061-ZY3-000	COVER, WATER JACKET	1		
13	16072-ZY3-000	O-RING	1		
14	16073-ZY3-000	O-RING	1		
15	16074-ZY3-000	O-RING	1		
16	16075-ZY3-000	O-RING	1		
17	16076-ZY3-000	O-RING	1		
18	16077-ZY3-000	O-RING	2		
19	16078-ZY3-000	O-RING	1		
20	16081-ZY5-000	SCREW-WASHER	21		
21	16082-ZY3-000	SCREW, PAN	2		
22	16083-ZY3-000	SCREW, WASHER	1		
23	16086-ZY5-000	COLLAR	8		
24	16087-ZY5-000	WASHER, PLAIN	8		
25	16087-ZY3-000	WASHER, PLAIN	1		

E10

VAPOR SEPARATOR ASSY.

E-18-10



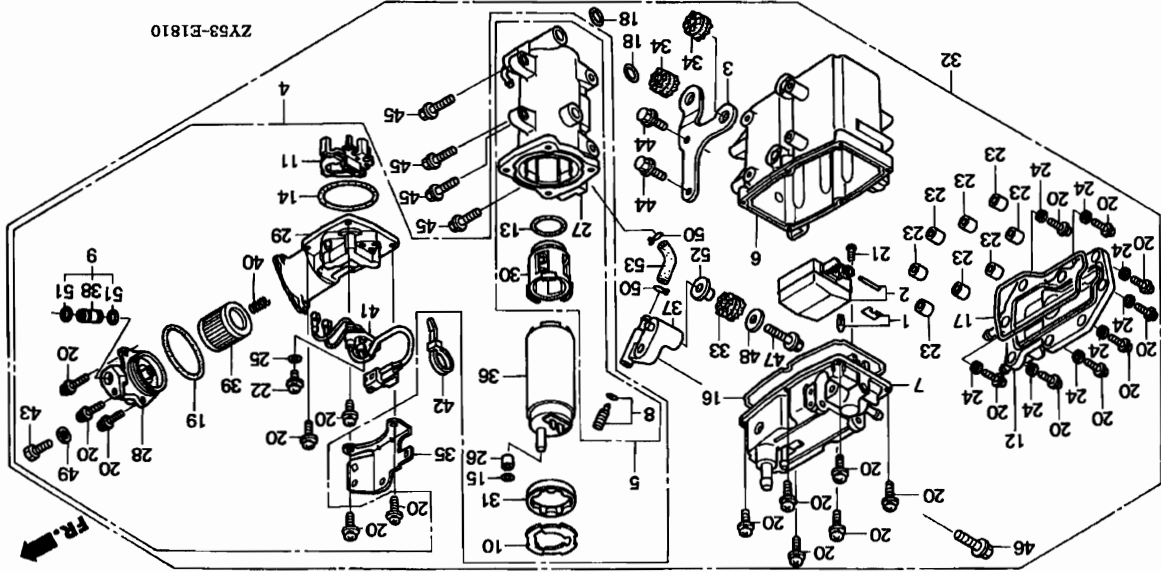
Parts catalogue code

Ref. No.	Part No.	Description	Serial No.	Reqd. QTY
26	16088-2Y3-000	COLLAR	A4	1
27	16701-2Y6-003	CASE COMP, PUMP	BF	1
28	16708-ZW5-003	COVER, PUMP (B)	135	1
29	16715-ZW5-003	COVER, PUMP (A)	150	1
30	16718-2Y6-003	INSULATOR COMP.	A4	1
31	16721-2Y3-000	INSULATOR		1
32	16730-2Y6-003	SEPARATOR ASSY, VAPOR		1
33	16733-ZW5-000	GROMMET, VAPOR SEPARATOR		1
34	16733-2Y3-000	GROMMET, VAPOR SEPARATOR		2
35	16734-2Y6-003	STAY, PLATE		1
36	16735-ZW5-003	PUMP UNIT, FUEL		1
37	16736-2Y6-003	STAY, VAPOR SEPARATOR		1
38	16752-2Y3-000	JOINT, FUEL PIPE		1
39	16911-2Y3-000	STRAINER, FUEL		1
40	16913-2Y3-000	SPRING, SET		1
41	32166-2Y6-003	HARNESS COMP.		1
42	32168-ZW5-003	BAND		1
43	90009-PP4-E01	BOLT, SEALING, 6MM		1
44	90017-2Y3-000	BOLT, FLANGE, 6X16		2
45	90019-ZW5-000	BOLT, FLANGE, 6X25		4
46	90049-2Y3-000	BOLT, FLANGE, 8X30		1
47	90054-2Y3-000	BOLT, FLANGE, 8X35		1
48	90402-2Y3-000	WASHER, PLAIN, 8MM		1
49	90430-PP6-003	WASHER, SEALING, 6MM		1
50	90602-921-000	CLIP, TUBE (B8)		2

E-18-10

VAPOR SEPARATOR ASSY.

E11

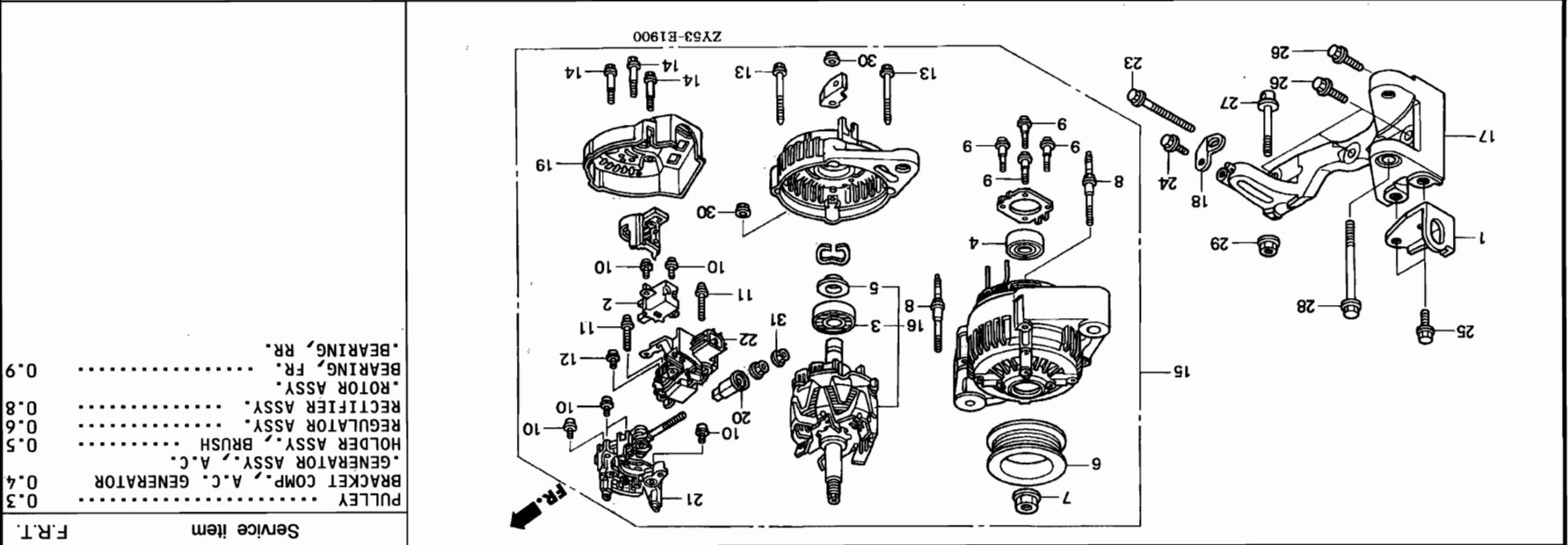


Ref. No.	Part No.	Description	Reqd. QTY	Serial No.	Parts catalogue code
51	91301-MJ0-003	O-RING, 7.8X1.9(ARAI)	2	A4	
52	91501-ZY3-000	COLLAR, 8.3X14.5	1	BF	
53	95001-45055-40	TUBE, FUEL, 4.5X55	1	135	
		(95001-45001-60M)	1	A4	

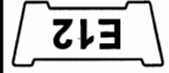




Ref. No.	Part No.	Description	Serial No.	Parts catalogue code
1	11912-ZY6-000	HANGER B, ENGINE	A4	
2	31105-P21-003	HOLDER ASSY, BRUSH	A4	
3	31111-PJ7-013	BEARING, RR.	BF	
4	31114-PJ7-013	BEARING, FR.	BF	
5	31138-PD1-004	COVER, BEARING	BF	
6	31141-P64-003	PULLEY	BF	
7	31142-PD1-004	NUT, PULLEY LOCK	BF	
8	31145-P69-941	BOLT, STUD	BF	
9	31146-PJ7-003	SCREW	BF	
10	31147-P10-003	SCREW-WASHER	BF	
11	31148-PD1-004	SCREW-WASHER, 4X25	BF	
12	31149-P21-003	SCREW	BF	
13	31152-P69-942	BOLT-WASHER	BF	
14	31153-P21-003	BOLT	BF	
15	31630-ZY6-003	GENERATOR ASSY, A.C.	A4	
16	31631-ZY6-003	ROTOR ASSY.	A4	
17	31636-ZY6-000	BRACKET COMP, A.C. GENERATOR	A4	
18	31637-ZY6-000	STAY, A.C. GENERATOR	A4	
19	31639-ZW5-003	END COVER, RR.	A4	
20	31644-ZW5-003	BUSH, INSULATION	A4	
21	31710-ZW5-003	RECTIFIER ASSY.	A4	
22	31750-ZY6-003	REGULATOR ASSY.	A4	
23	90011-ZW5-010	BOLT, SPECIAL ADJUSTER	A4	
24	90017-ZY3-000	BOLT, FLANGE, 6X16	A4	
25	90026-ZY3-000	BOLT, FLANGE, 8X20	A4	

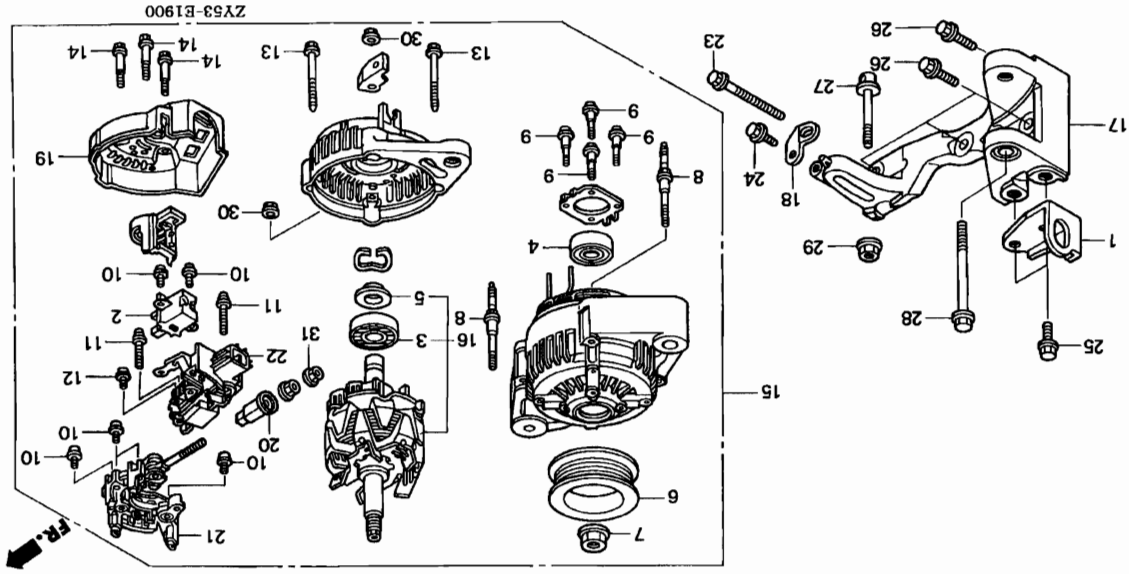


Service item	F.R.T.
PULLEY	0.3
BRACKET COMP, A.C. GENERATOR	0.4
GENERATOR ASSY, A.C.	0.5
HOLDER ASSY, BRUSH	0.6
REGULATOR ASSY.	0.8
RECTIFIER ASSY.	0.8
ROTOR ASSY.	0.9
BEARING, FR.	0.9
BEARING, RR.	0.9



A.C. GENERATOR

E-19



Ref. No.	Part No.	Description	Reqd. QTY	Serial No.	Parts catalogue code
26	90035-ZY3-000	BOLT, FLANGE, 8X28	4	A4	
27	90055-ZY3-000	BOLT, TENSIONER	1	BF	
28	90163-ZW4-000	BOLT, FLANGE, 10X80	1	BF	
29	90203-ZW5-010	NUT, FLANGE, 8MM	1	135	
30	90231-PD1-014	NUT-WASHER, 5MM	2	A4	
31	94001-06080-0S	NUT, HEX., 6MM	1	A4	





E-20

IGNITION COIL/PLUG

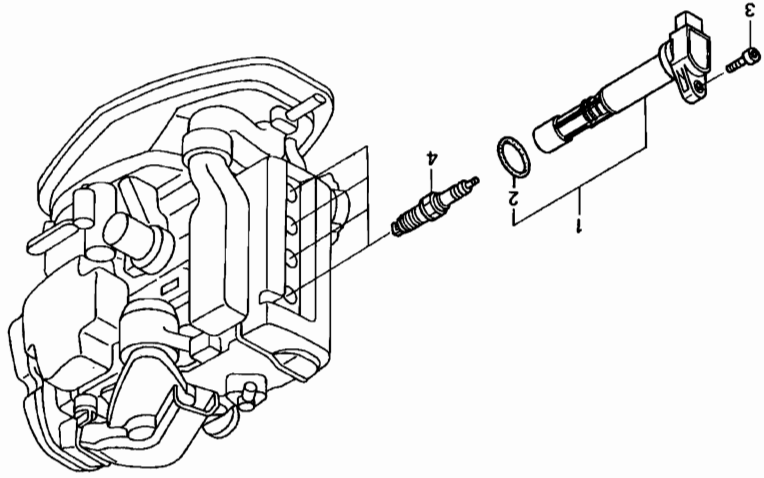


Service item F.R.T.

COIL COMP., PLUG HOLE 0.2
 .PLUG, SPARK



ZY53-E2000



Ref. No.	Part No.	Description	Reqd. QTY	Serial No.	Parts catalogue code
1	30520-PNA-007	COIL COMP., PLUG HOLE	4	A4	
2	30522-PFB-007	SEAL, PLUG HOLE	4	BF	
3	90057-ZY3-003	BOLT, SOCKET, 6X25	4	135	
4	9807B-5615W	PLUG, SPARK (SKJ2DDR-M11)	4	150	
		(DENSU)	4	BF	
		PLUG, SPARK (IZFR6K11) (NGK)	4	A4	

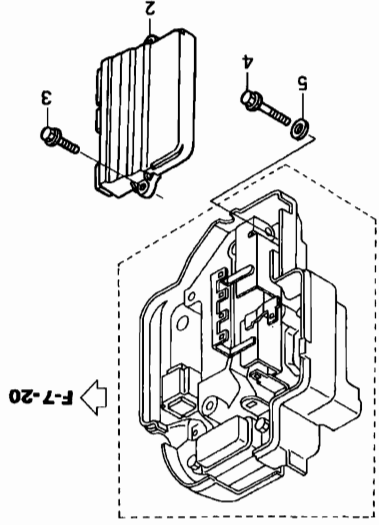
E-20-10

ELECTRONIC CONTROL UNIT

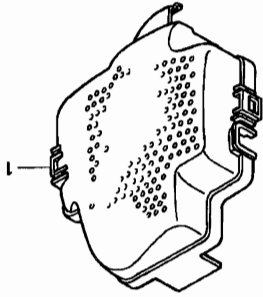
E15

Service Item F.R.T.

COVER, ELECTRONIC PARTS 0.1
 CONTROL UNIT, ELECTRONIC 0.5



ZY53-E2010



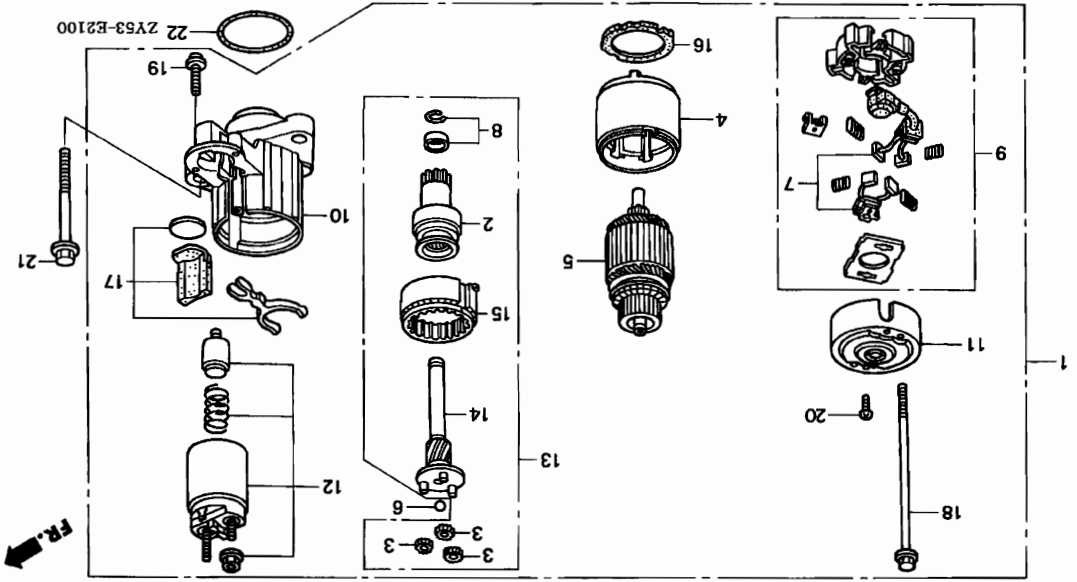
Ref. No.	Part No.	Description	Reqd. QTY	Serial No.	Parts catalogue code
1	30421-ZY6-000	COVER, ELECTRONIC PARTS	1	A4	
2	34750-ZY5-003	CONTROL UNIT, ELECTRONIC	1	BF	
3	90018-ZW5-000	BOLT, FLANGE, 6X20	2	135	
4	90121-ZV0-010	BOLT, FLANGE, 6X25	4	150	
5	90508-ZY3-000	WASHER, PLAIN, 6MM	4	A4	

1	30421-ZY6-000	COVER, ELECTRONIC PARTS	1	A4	
2	34750-ZY5-003	CONTROL UNIT, ELECTRONIC	1	BF	
3	90018-ZW5-000	BOLT, FLANGE, 6X20	2	135	
4	90121-ZV0-010	BOLT, FLANGE, 6X25	4	150	
5	90508-ZY3-000	WASHER, PLAIN, 6MM	4	A4	



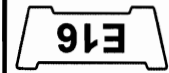


E-21	STARTER MOTOR		E16
Service Item	F.R.T.	0.5	0.6
MOTOR ASSY, STARTER	0.5	0.6
BRACKET, FR.	0.5	0.6
HOLDER COMP., BRUSH	0.5	0.6
LEVER SET	0.5	0.6
ROTOR COMP.	0.5	0.6
SHAFT CLUTCH	0.5	0.6
SWITCH ASSY, MAGNET	0.5	0.6
YOKE COMP.	0.5	0.6
BRUSH SET	0.5	0.6
GEAR ASSY, INTERNAL	0.5	0.6
(INC. RELATIVE PART)	0.5	0.6
MOTOR ASSY, STARTER	1	1	1
CLUTCH COMP., OVERRUNNING	2	3	3
GEAR ASSY, PLANETARY	3	3	3
YOKE COMP.	4	1	1
ROTOR COMP.	5	1	1
BALL, STEEL	6	1	1
BRUSH SET	7	1	1
STOPPER SET, SLEEVE	8	1	1
HOLDER COMP., BRUSH	9	1	1
BRACKET, FR.	10	1	1
BRACKET, RR.	11	1	1
SWITCH ASSY, MAGNET	12	1	1
SHAFT ASSY, CLUTCH	13	1	1
SHAFT ASSY, GEAR	14	1	1
GEAR ASSY, INTERNAL	15	1	1
SCREW, PAN, 5X8	19	2	2
SCREW, PAN, 6X22(SPECIAL)	19	2	2
BOLT A, THROUGH	18	2	2
LEVER SET	17	1	1
PACKING	16	1	1
BOLT, FLANGE, 10X90	21	2	2
O-RING, 59.4X3.1	22	1	1

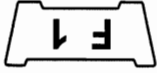


Service Item F.R.T. 0.5 0.6

MOTOR ASSY, STARTER 0.5
 BRACKET, FR. 0.6
 HOLDER COMP., BRUSH
 LEVER SET
 ROTOR COMP.
 SHAFT CLUTCH
 SWITCH ASSY, MAGNET
 YOKE COMP.
 BRUSH SET 0.7
 GEAR ASSY, INTERNAL 0.8
 (INC. RELATIVE PART)

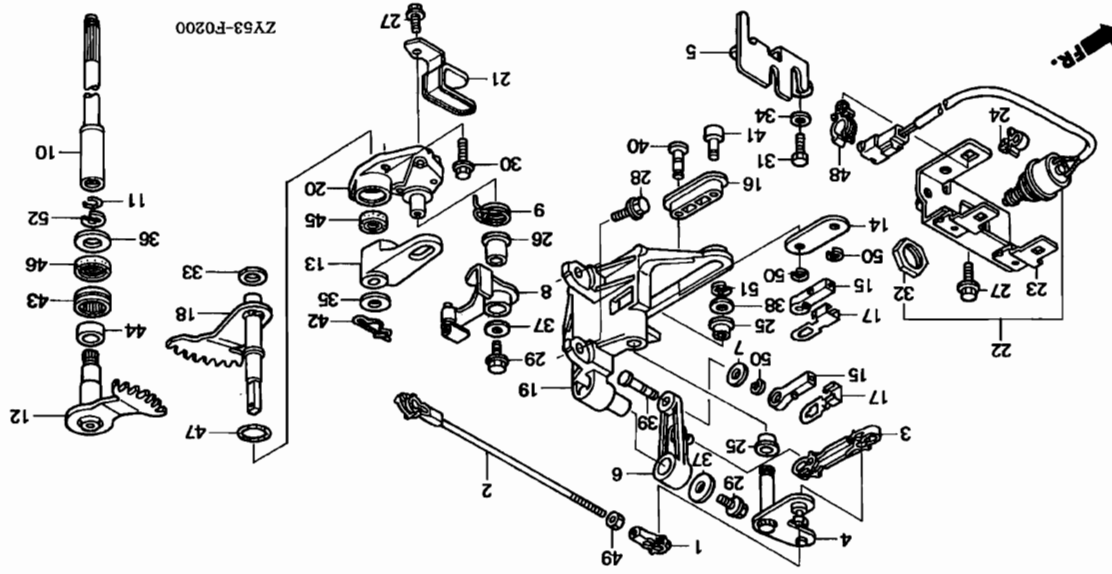


SHIFT SHAFT



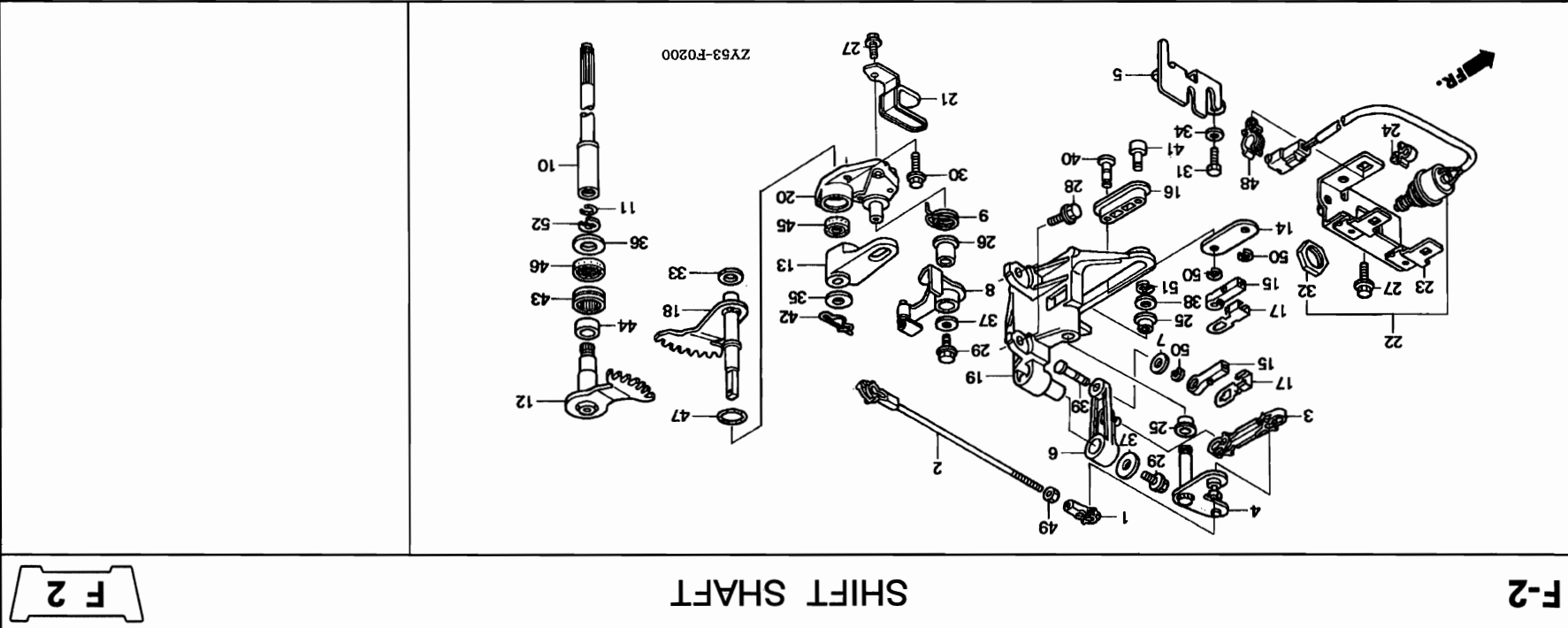
F.R.T. Service Item

0.2	ARM, THROTTLE
0.3	ARM COMP., CLICK
0.4	ARM, SHIFT
0.4	PIVOT, SHIFT SLIDE
0.4	PLATE COMP., THROTTLE
0.4	BRACKET, SHIFT LINK
0.4	HOLDER, SEAL
0.4	OIL SEAL, 14X26X6
0.5	ROD COMP., THROTTLE
0.5	SWITCH ASSY., NEUTRAL
0.7	ROD COMP. A, SHIFT
0.7	SEAL, WATER
+5.0	SHAFT COMP. A, SHIFT
+5.0	SHAFT COMP. B, SHIFT
	(SAME TIME FOR TWO UNITS)
	SHAFT COMP. A, SHIFT



Ref. No.	Part No.	Description	Reqd. QTY	Serial No.	Parts catalogue code
			BF	A4	
			BF	A4	
			135	A4	
			150	A4	

1	17838-2V5-000	LINKAGE, PIVOT	1	1	
2	17840-2Y6-000	ROD COMP., THROTTLE	1	1	
3	17845-2Y6-000	LINK, THROTTLE	1	1	
4	17860-2Y6-000	PLATE COMP., THROTTLE	1	1	
5	17877-2Y6-000	PLATE, REMOTE CONTROL CABLE	1	1	
6	17931-2Y6-000	ARM, THROTTLE	1	1	
7	17936-921-000	WASHER, PIVOT	1	1	
8	24166-2Y6-000	ARM COMP., CLICK	1	1	
9	24218-2Y6-000	SPRING, CLICK	1	1	
10	24320-2Y6-000	ROD COMP. A, SHIFT (L)	1	1	
	24320-2Y6-610	ROD COMP. A, SHIFT (XL)	1	1	
		----- LCD,LD			
		----- XCD,XD			
11	24327-ZW1-000	RING, STOPPER	1	1	
12	24610-2Y6-000	SHAFT COMP. A, SHIFT	1	1	
13	24612-2Y6-000	ARM, SHIFT	1	1	
14	24614-2Y6-000	PLATE, SHIFT PIVOT	1	1	
15	24618-2Y3-000	PIVOT, SHIFT	2	2	
16	24618-2Y6-000	PIVOT, SHIFT SLIDE	1	1	
17	24619-2Y3-000	PLATE, LOCK	2	2	
18	24620-2Y6-000	SHAFT COMP. B, SHIFT	1	1	
19	24628-2Y6-000ZA	BRACKET, SHIFT LINK	1	1	
	DARK GRAY			
	DARK GRAY			
20	24629-2Y6-000ZA	HOLDER, SEAL	1	1	
	DARK GRAY			
	DARK GRAY			
	DARK GRAY			
21	32418-2Y6-000	BRACKET A, CABLE	1	1	
22	35470-2Y3-003	SWITCH ASSY., NEUTRAL	1	1	



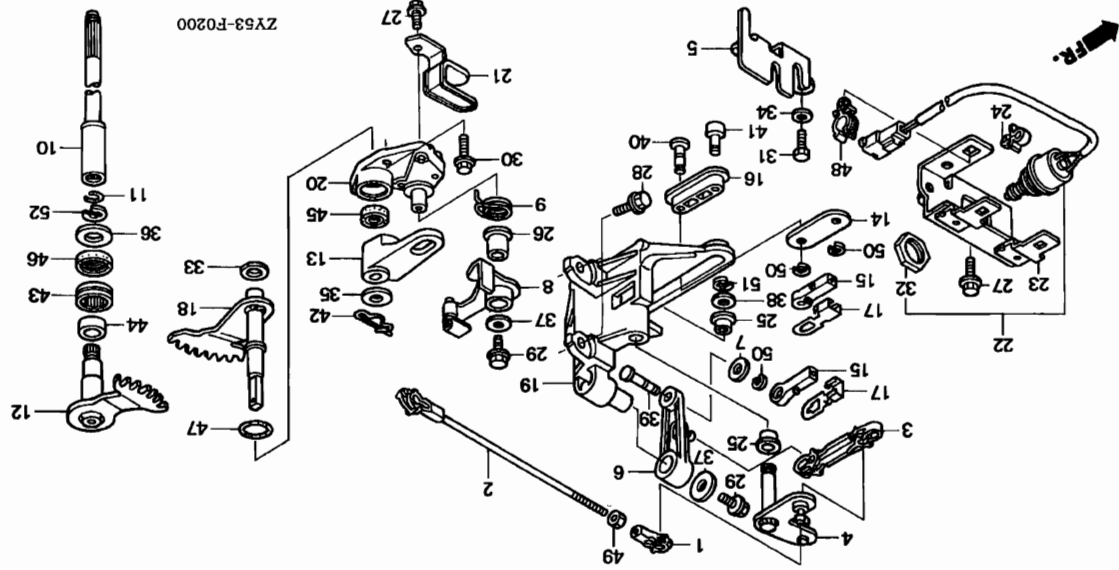
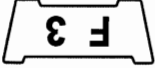
F-2

SHIFT SHAFT

F 2

Ref. No.	Part No.	Description	Reqd. QTY	Serial No.	Parts catalogue code
23	35475-ZY6-000	BRACKET, NEUTRAL SWITCH	1	A4	
24	46391-VM0-003	CLIP, BRAKE PIPE (A)	1	BF	
25	63205-ZY3-000	BUSH A, COVER LOCK	2	135	
26	75538-763-C01	BUSH, BLADE BRAKE	1	A4	
27	90021-ZY3-000	BOLT, FLANGE, 6X14	2		
28	90028-ZY3-000	BOLT, FLANGE, 6X18	2		
29	90102-ZW9-000	BOLT, FLANGE, 6X12	2		
30	90105-ZW9-000	BOLT, FLANGE, 6X20	2		
31	90127-ZV4-000	BOLT, HEX, 6X16	1		
32	90302-ZV5-003	NUT, HEX, 20MM	1		
33	90501-ZW5-000	WASHER, SHIFT SHAFT	1		
34	90506-ZV4-000	WASHER, PLAIN, 6MM	1		
35	90507-ZY3-000	WASHER, PLAIN, 12MM	1		
36	90508-ZV7-000	WASHER	1		
37	90512-ZV4-000	WASHER, PLAIN, 6MM	2		
38	90518-921-000	WASHER, PLAIN, 8MM	1		
39	90751-ZY3-000	PIN, LINK	1		
40	90752-ZY6-000	PIN, SHIFT LINK	1		
41	90753-ZY6-000	PIN, LINK	1		
42	90755-ZY6-003	PIN, SNAP, 12MM	1		
43	91001-ZY3-003	BEARING, NEEDLE, 20X28X13	1		
44	91152-ZY3-003	RING, INNER (15X20X23)	1		
45	91251-ZW5-003	OIL SEAL, 14X26X6	1		

SHIFT SHAFT



Parts catalogue code

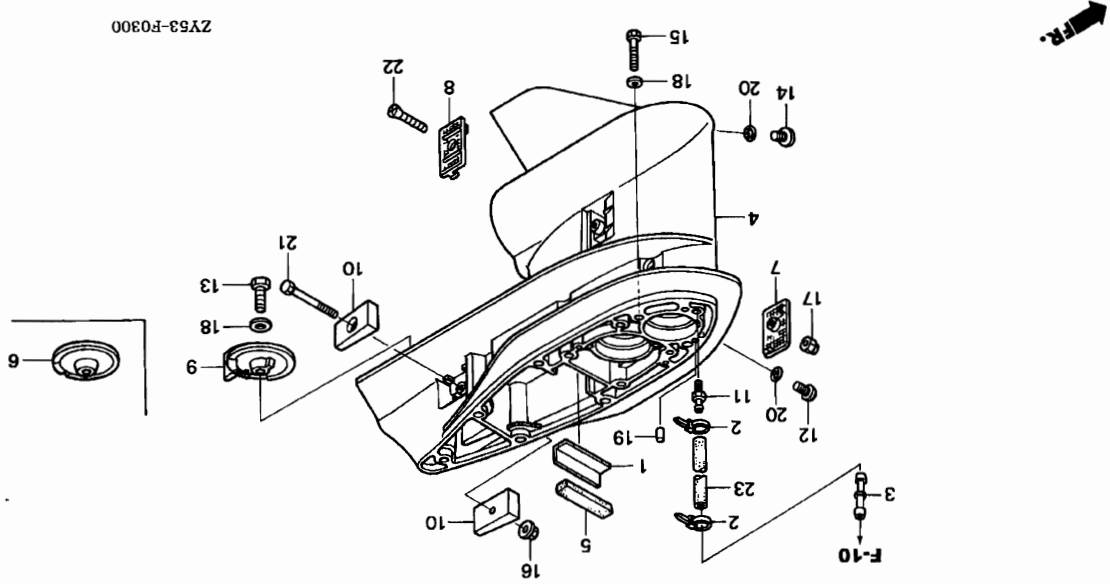
Ref. No.	Part No.	Description	Reqd. QTY	Serial No.	Parts catalogue code
				BF	
				135	
				150	
				A4	
				A4	

46	91255-ZY3-003	SEAL, WATER (14X26X8)	1	1	
47	91321-POX-003	O-RING, 25X2.4(NOK)	1	1	
48	91549-SV1-L01	HOLDER, DRAIN TUBE	1	1	
49	94001-05490-05	NUT, HEX, 5MM	1	1	
50	94540-04029	E-RING, 4MM	3	3	
51	94540-06029	E-RING, 6MM	1	1	
52	94540-12029	E-RING, 12MM	1	1	

GEAR CASE

F-3

F 4

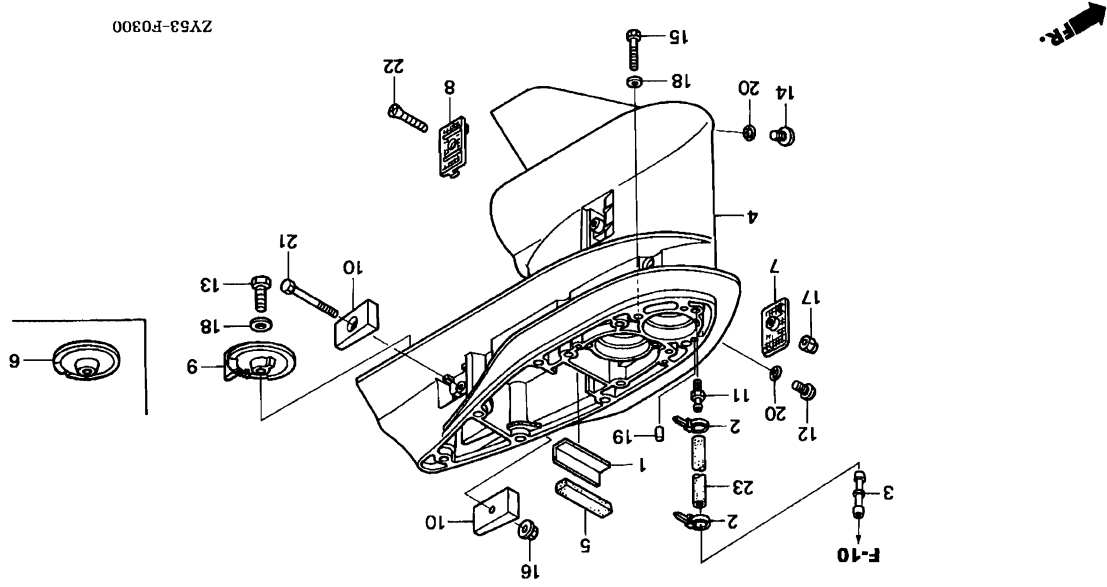


Service item
F.R.T.

METAL COMP., ANODE 0.1
(SAME TIME FOR TWO UNITS)
SCREEN, L. WATER
(SAME TIME FOR TWO UNITS)
SCREEN, R. WATER
(SAME TIME FOR TWO UNITS)
TAB, TRIM

Ref. No.	Part No.	Description	Reqd. QTY	Serial No.	Parts catalogue code
			A4		
			BF		
			135		
			150		
			A4		

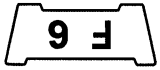
1	19286-ZW1-800	PLATE, RUBBER SETTING	1		
2	32161-KM3-003	BAND, WIRE	2		
3	38562-663-920	JOINT B, WASHER TUBE (MITSUBA)	1		
4	41101-ZY6-000ZA	CASE, GEAR *NH282MU*	1		
5	41102-ZW1-800	GROMMET, GEAR CASE	1		
6	41102-ZY3-710ZA	COVER, GEAR CASE *NH282MU*	1		
7	41104-ZY6-000	SCREEN, R. WATER	1		LCD,XCD
8	41105-ZY6-000	SCREEN, L. WATER	1		
9	41107-ZY3-000ZA	TAB, TRIM *NH282MU*	1		
10	41109-ZW1-800	METAL COMP., ANODE	2		LD,XD
11	41172-ZY5-000	NIPPLE, SENSER	1		
12	90101-ZW9-003	BOLT, OIL CHECK	1		
13	90103-ZY3-000	BOLT, HEX, 10X32	1		
14	90120-ZY3-000	BOLT, DRAIN PLUG	1		
15	90123-ZV5-010	BOLT, HEX., 10X40	7		
16	90205-PP9-020	NUT, SELF-LOCK, 6MM	1		
17	90302-ZV4-000	NUT, SELF-LOCK, 5MM	1		
18	90563-ZV5-000	WASHER, PLAIN, 10MM	8		
19	90756-ZV5-000	DOWEL PIN, 6X10	2		
20	91301-216-000	O-RING, 5.5X1.5	2		



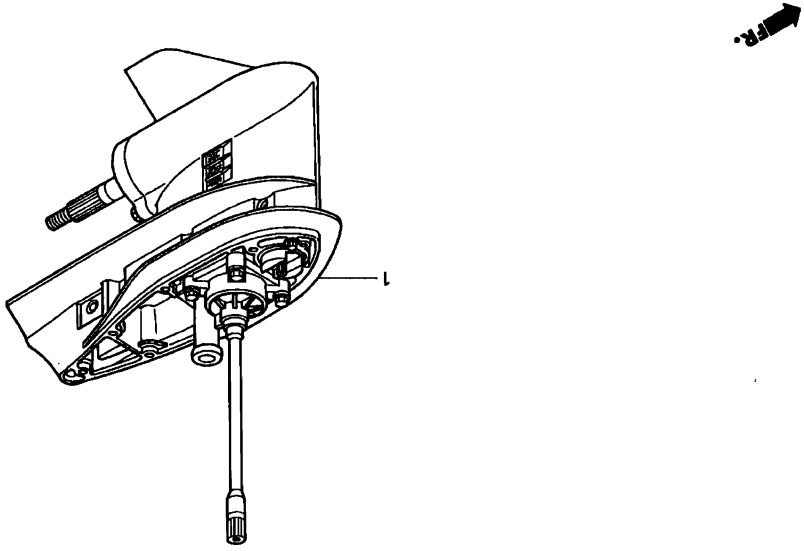
Ref. No.	Part No.	Description	Reqd. QTY	Serial No.	Parts catalogue code
21	92101-06050-4J	BOLT, HEX., 6X50	1	BF	
22	93700-05050-4J	SCREW, OVAL, 5X50	1	BF	
23	95005-50140-30	TUBE, 5X140(95005-50001-30M)	1	135	
		TUBE, 5X270(95005-50001-30M)	1	150	
		----- LCD,LD	1	A4	
		----- XCD,XD	1	A4	

F-3-10

GEAR CASE ASSY.



Service item F.R.T.
 CASE ASSY., GEAR 0.7



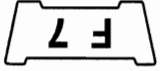
ZY63-F0310

Ref. No.	Part No.	Description	Reqd. QTY	Serial No.	Parts catalogue code
			A4		
			BF		
			BF		
			135		
			150		
			A4		

1	41100-ZY6-000ZA CASE ASSY., GEAR (L) *NH282MU*		1		
	41100-ZY6-610ZA CASE ASSY., GEAR (XL) *NH282MU*		1		LD
	41100-ZY6-700ZA CASE ASSY., GEAR (L) (C/R) *NH282MU*		1		XD
	41100-ZY6-710ZA CASE ASSY., GEAR (XL) (C/R) *NH282MU*		1		LCD
	41100-ZY6-710ZA CASE ASSY., GEAR (XL) (C/R) *NH282MU*		1		XCD

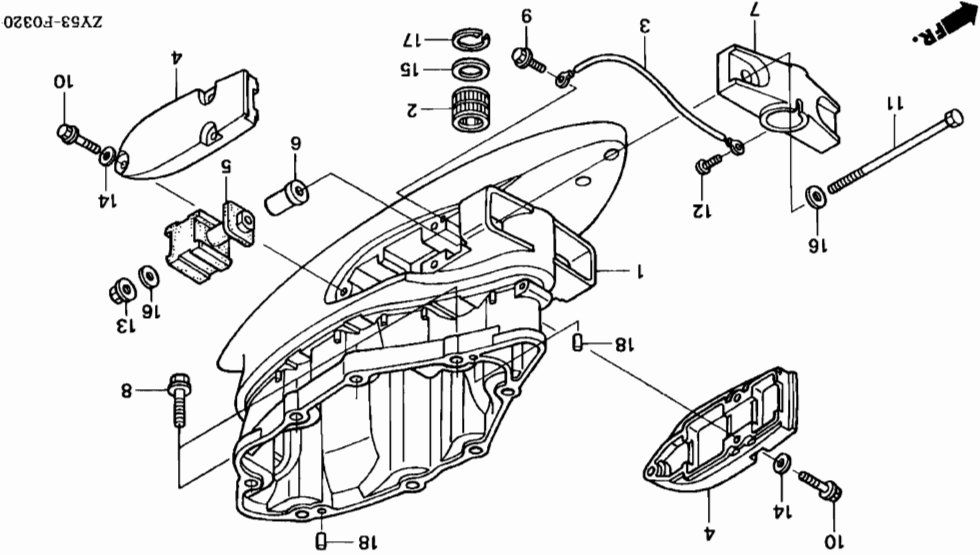
F-3-20

EXTENSION CASE



Service Item F.R.T.

RUBBER COMP., LOWER MOUNT 0.3
 (ADD 0.1 FOR EACH.)
 CASE, EXTENSION 1.9
 HOUSING, LOWER CENTER MOUNTING 2.7



ZY53-F0320

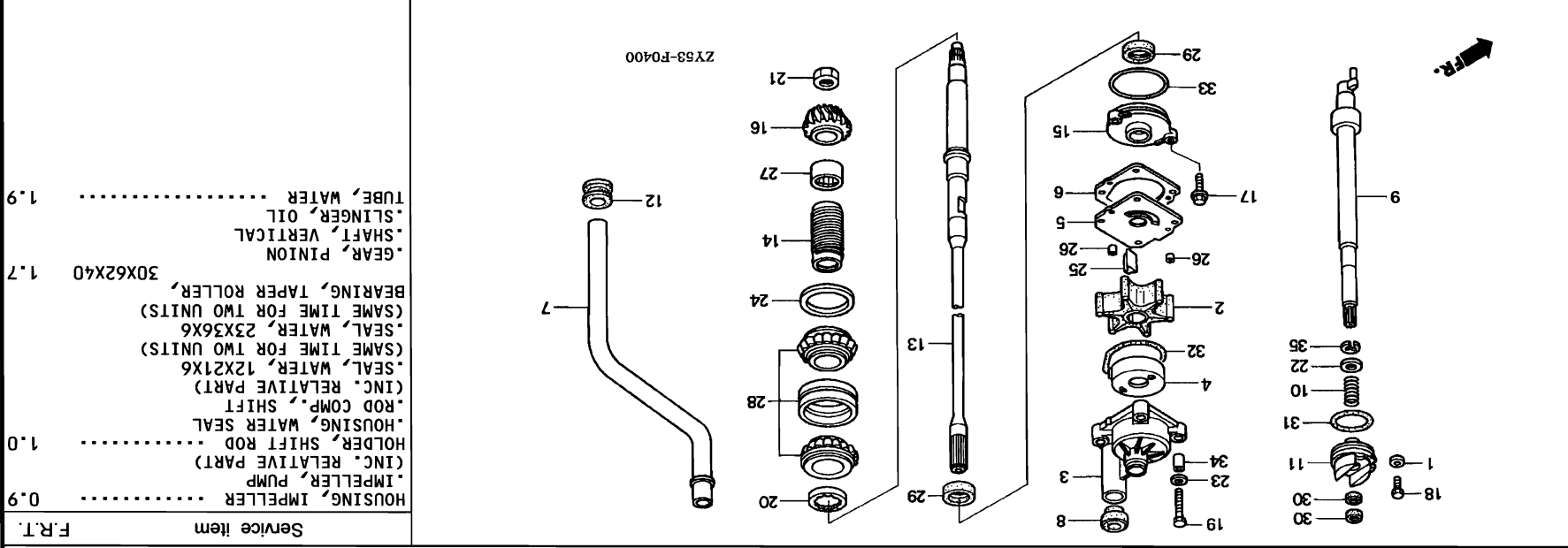
Ref. No.	Part No.	Description	Reqd. QTY	Serial No.	Parts catalogue code
			BF	A4	
			135	A4	
			150	A4	

1	40201-ZY6-000ZA	CASE, EXTENSION (L) *NH282MU*	1		
		OYSTER SILVER METALLIC-U	1		
		CASE, EXTENSION (XL)	1		LCD,LD
		OYSTER SILVER METALLIC-U	1		
2	40210-ZW1-710	BUSH COMP., VERTICAL SHAFT ..	1		
		OYSTER SILVER METALLIC-U	1		
		CASE, EXTENSION (XL)	1		XCD,XD
3	40219-ZY6-003	WIRE, LEAD (1.2X137MM)	1		
4	50111-ZW1-010ZA	HOUSING, LOWER MOUNTING	1		
		OYSTER SILVER METALLIC-U	2		
		RUBBER COMP., LOWER MOUNT ...	2		
5	50155-ZW5-000	RUBBER COMP., LOWER MOUNT ...	2		
		OYSTER SILVER METALLIC-U	2		
		NH282MU	2		
6	50156-ZW1-010	COLLAR, LOWER MOUNTING	2		
7	50161-ZW1-020ZA	HOUSING, LOWER CENTER MOUNTING	2		
		NH282MU	2		
		OYSTER SILVER METALLIC-U	1		
8	90002-ZY6-000	BOLT, FLANGE, 10X40	8		
9	90103-ZW9-000	BOLT, FLANGE, 6X12	1		
10	90106-ZY6-000	BOLT, HEX., 8X30	6		
11	90118-ZW1-000	BOLT, HEX., 12X25	2		
12	90119-ZV5-000	SCREW, PAN, 6X8	1		
13	90302-ZW5-003	NUT, FLANGE, 12MM	2		
14	90401-ZW1-000	WASHER, PLAIN, 8MM	6		
15	90501-ZW1-710	WASHER, 26MM	1		
		OYSTER SILVER METALLIC-U	1		
		CASE, EXTENSION (XL)	1		XCD,XD
16	90559-ZW1-000	WASHER, PLAIN, 12MM	4		
17	90651-ZW1-710	CIRCLIP, INTERNAL, 40	1		
18	90756-ZV5-000	DOWEL PIN, 6X10	2		

WATER PUMP/VERTICAL SHAFT

F-4

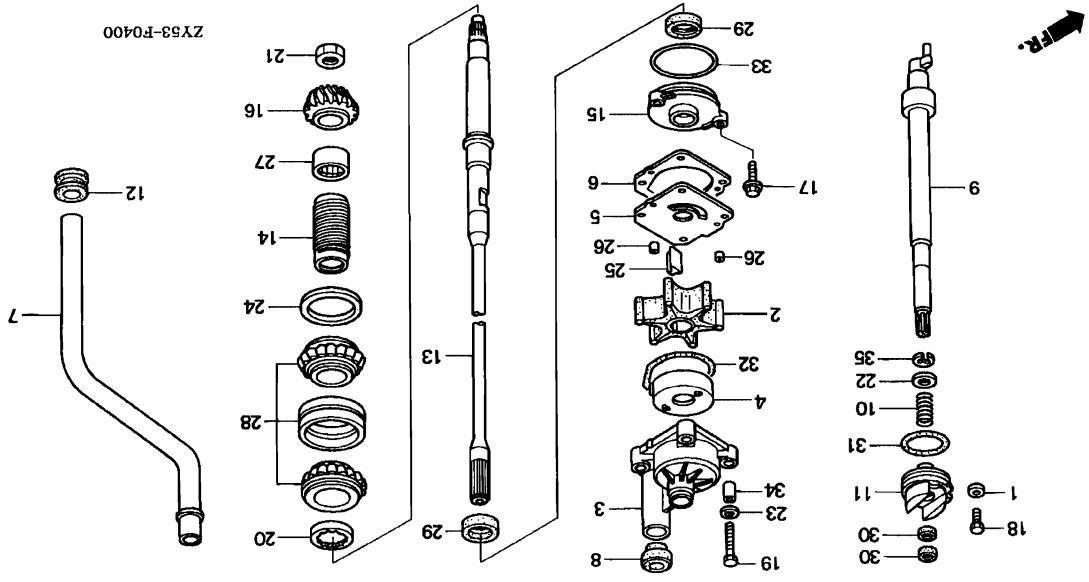
F 8



Ref. No.	Part No.	Description	Reqd. QTY	Serial No.	Parts catalogue code
1	17936-921-000	WASHER, PIVOT	1	BF	
2	19210-ZW1-B04	IMPELLER, PUMP	1	BF	
3	19221-ZY6-000	HOUSING, IMPELLER	1	BF	
4	19223-ZW1-B00	LINER, PUMP	1	BF	
5	19231-ZY6-000	COVER, IMPELLER	1	A4	
6	19234-ZY6-000	GASKET B, IMPELLER	1	A4	
7	19251-ZY6-000	TUBE, WATER (L)	1	A4	LCD,LD
8	19253-ZW1-B01	RING, WATER TUBE SEAL	1	A4	XCD,XD
9	24310-ZY6-000	ROD COMP., SHIFT	1	A4	LD,XD
10	24318-ZY3-000	SPRING, SHIFT ROD	1	A4	LCD,XCD
11	24343-ZY6-000	HOLDER, SHIFT ROD	1	A4	
12	40204-ZW1-000	GROMMET, EXTENSION CASE	1	A4	
13	41112-ZY6-000	SHAFT, VERTICAL (L)	1	A4	LCD,LD
14	41116-ZW1-B00	SLINGER, OIL	1	A4	
15	41117-ZY6-000	HOUSING, WATER SEAL	1	A4	
16	41131-ZY6-000	GEAR, PINION	1	A4	
17	90105-W9-000	BOLT, FLANGE, 6X20	2	A4	
18	90105-881-000	BOLT, HEX, 6X12	1	A4	
19	90116-881-000	BOLT, HEX, 8X40	4	A4	
20	90242-ZW1-000	NUT, LOCK, 64MM	1	A4	
21	90303-ZW5-000	NUT, HEX., 18MM	1	A4	

Ref. No.	Part No.	Description	Reqd. QTY	Serial No.	Parts catalogue code
1	17936-921-000	WASHER, PIVOT	1	BF	
2	19210-ZW1-B04	IMPELLER, PUMP	1	BF	
3	19221-ZY6-000	HOUSING, IMPELLER	1	BF	
4	19223-ZW1-B00	LINER, PUMP	1	BF	
5	19231-ZY6-000	COVER, IMPELLER	1	A4	
6	19234-ZY6-000	GASKET B, IMPELLER	1	A4	
7	19251-ZY6-000	TUBE, WATER (L)	1	A4	LCD,LD
8	19253-ZW1-B01	RING, WATER TUBE SEAL	1	A4	XCD,XD
9	24310-ZY6-000	ROD COMP., SHIFT	1	A4	LD,XD
10	24318-ZY3-000	SPRING, SHIFT ROD	1	A4	LCD,XCD
11	24343-ZY6-000	HOLDER, SHIFT ROD	1	A4	
12	40204-ZW1-000	GROMMET, EXTENSION CASE	1	A4	
13	41112-ZY6-000	SHAFT, VERTICAL (L)	1	A4	LCD,LD
14	41116-ZW1-B00	SLINGER, OIL	1	A4	
15	41117-ZY6-000	HOUSING, WATER SEAL	1	A4	
16	41131-ZY6-000	GEAR, PINION	1	A4	
17	90105-W9-000	BOLT, FLANGE, 6X20	2	A4	
18	90105-881-000	BOLT, HEX, 6X12	1	A4	
19	90116-881-000	BOLT, HEX, 8X40	4	A4	
20	90242-ZW1-000	NUT, LOCK, 64MM	1	A4	
21	90303-ZW5-000	NUT, HEX., 18MM	1	A4	

WATER PUMP/VERTICAL SHAFT



Ref. No.	Part No.	Description	Reqd. QTY	Serial No.	Parts catalogue code
----------	----------	-------------	-----------	------------	----------------------

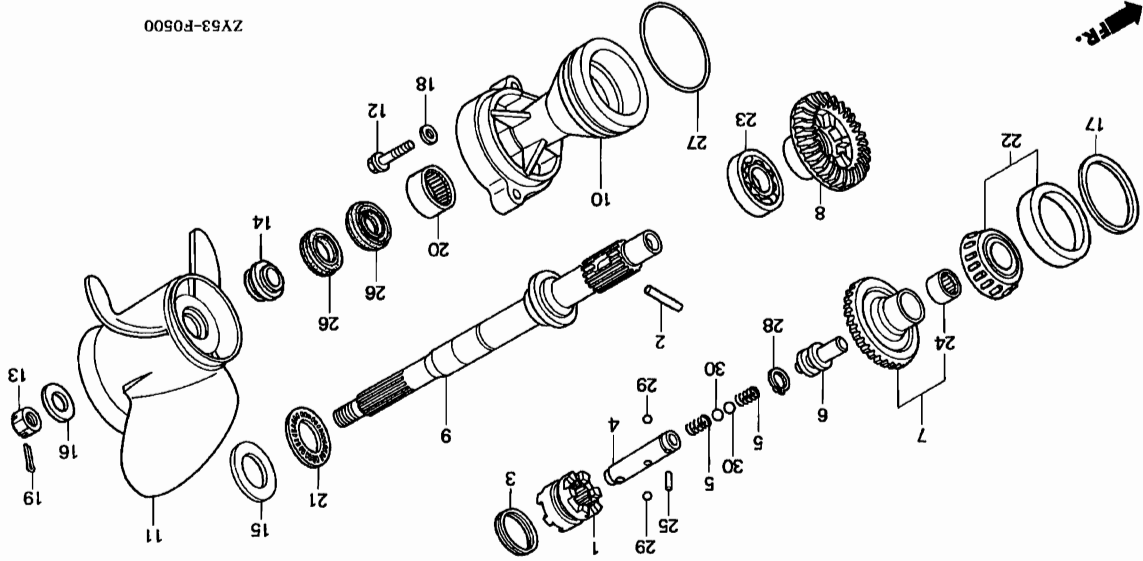
22	90472-723-000	WASHER, PLAIN, 12MM	1	A4	
23	90514-921-000	WASHER, 8MM	4	A4	
24	90518-ZW1-B00	SHIM A, GEAR (0.10)	1	BF	
	90519-ZW1-B00	SHIM B, GEAR (0.15)	1	BF	
	90520-ZW1-B00	SHIM C, GEAR (0.30)	1	BF	
	90521-ZW1-B00	SHIM D, GEAR (0.50)	1	BF	
25	90752-ZW1-B02	KEY, WOODRUFF	1	A4	
26	90756-ZV5-000	DOWEL PIN, 6X10	2	A4	
27	91052-ZY6-003	BEARING, NEEDLE	2	BF	
28	91054-ZW1-B31	BEARING, TAPER ROLLER, 28.575X44.45X31.75	1	BF	
29	91251-ZW1-B04	SEAL, WATER, 23X36X6	2	BF	
30	91254-ZY3-003	SEAL, WATER, 12X21X6	2	BF	
31	91351-ZY6-003	O-RING, 55.6X3.5	1	BF	
32	91356-ZW1-B00	O-RING, WATER PUMP	1	BF	
33	91359-MB0-000	O-RING, 58.5X3.5	1	BF	
34	91552-ZY6-000	COLLAR, DISTANCE	4	BF	
35	94540-10019	E-RING, 10MM	1	BF	

PROPELLER SHAFT/PROPELLER (LD/XD)

F10

Service item F.R.T.

- 0.2 PROPELLER COMP., THREE BLADES
- 1.1 O-RING, 105X3.1
- 1.2 PLATE, SHIFT
- 1.3 SHIFTER, CLUTCH
- 1.3 SLIDER, SHIFT
- (INC. RELATIVE PART)
- 1.5 BEARING, TAPER, 50X90X28
- 1.5 GEAR COMP., BEVEL
- 1.5 SHAFT, PROPELLER
- 1.6 SEAL, WATER, 30X45X7
- 1.6 (SAME TIME FOR TWO UNITS)
- 1.7 BEARING, RADIAL BALL, 50X90X20
- 1.7 GEAR, BEVEL
- 1.8 BEARING, NEEDLE, 30X37X26
- 1.8 HOLDER, PROPELLER SHAFT



ZY63-F0500

Ref. No.	Part No.	Description	Reqd. QTY	Serial No.	Parts catalogue code
			BF	136	
			BF	150	
			A4	A4	

1	24101-ZY6-000	SHIFTER, CLUTCH	1	1	LD,XD
2	24102-ZW1-B00	PIN, SHIFTER, 8X47	1	1	LD,XD
3	24103-ZW1-B00	RING, CROSS PIN	1	1	LD,XD
4	24122-ZY6-000	SLIDER, SHIFT	1	1	LD,XD
5	24123-ZY6-000	SPRING, SHIFT	2	2	LD,XD
6	24124-ZY6-000	PLATE, SHIFT	1	1	LD,XD
7	41140-ZY6-000	GEAR COMP., BEVEL	1	1	LD,XD
8	41151-ZY6-000	GEAR, BEVEL (RVS. 30T)	1	1	LD,XD
9	41161-ZY6-000	SHAFT, PROPELLER	1	1	LD,XD
10	41201-ZY6-000ZA	HOLDER, PROPELLER SHAFT	1	1	LD,XD
		NH282MU			
11	58130-ZY3-100	PROPELLER COMP., THREE BLADES (14-1/2X15) (SUS)	1	1	LD,XD
58130-ZY3-110	PROPELLER COMP., THREE BLADES (14-1/4X17) (SUS)	1	1	1	LD,XD
58130-ZY3-120	PROPELLER COMP., THREE BLADES (14X19) (SUS)	1	1	1	LD,XD
58130-ZY3-130	PROPELLER COMP., THREE BLADES (14X21) (SUS)	1	1	1	LD,XD
58130-ZY3-140	PROPELLER COMP., THREE BLADES (14-1/2X23) (SUS)	1	1	1	LD,XD
58130-ZY3-150	PROPELLER COMP., THREE BLADES (14X25) (SUS)	1	1	1	LD,XD
58130-ZY3-V00	PROPELLER COMP., THREE BLADES (15-1/2X13) (AL)	1	1	1	LD,XD



PROPELLER SHAFT/PROPELLER (LD/XD)

Parts catalogue code

Serial No.

Reqd. QTY
BF 135
BF 150
A4

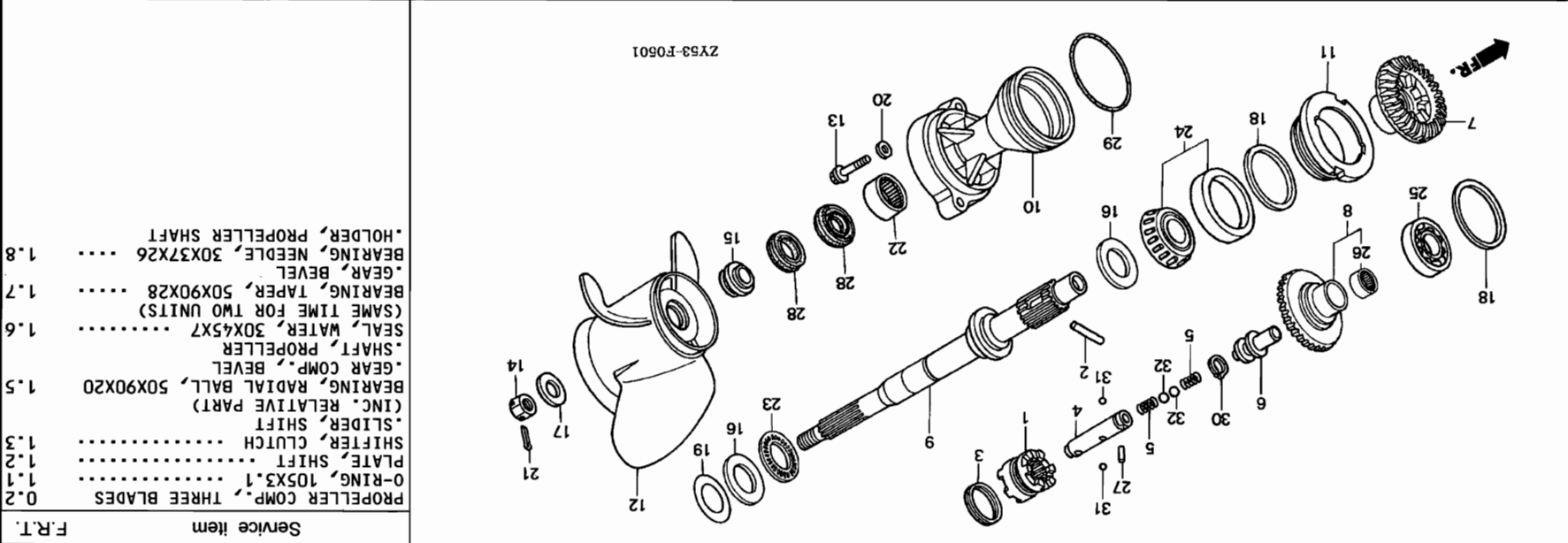
Description

Part No.

Ref. No.

11)	58130-ZY3-V10	PROPELLER COMP., THREE BLADES (15-1/4X15) (AL)	(1)	(1)	LD, XD
	58130-ZY3-V20	PROPELLER COMP., THREE BLADES (15X17) (AL)	(1)	(1)	LD, XD
	58130-ZY3-V30	PROPELLER COMP., THREE BLADES (14-3/4X19) (AL)	(1)	(1)	LD, XD
	58130-ZY3-V40	PROPELLER COMP., THREE BLADES (14-1/2X21) (AL)	(1)	(1)	LD, XD
	58130-ZY3-V50	PROPELLER COMP., THREE BLADES (14-1/4X23) (AL)	(1)	(1)	LD, XD
12	90104-ZY6-000	BOLT, FLANGE, 10X40	2	2	LD, XD
13	90501-ZW1-B00	NUT, CASTLE, 18MM	1	1	LD, XD
14	90506-ZY3-000	WASHER, PROPELLER THRUST	1	1	LD, XD
15	90509-ZW5-710	WASHER, THRUST BEARING	1	1	LD, XD
16	90512-ZY3-000	WASHER, PROPELLER	1	1	LD, XD
17	90528-ZY3-000	SHIM A, BEVEL (0.10)	1	1	LD, XD
	90529-ZY3-000	SHIM B, BEVEL (0.15)	1	1	LD, XD
	90530-ZY3-000	SHIM C, BEVEL (0.30)	1	1	LD, XD
	90531-ZY3-000	SHIM D, BEVEL (0.50)	1	1	LD, XD
18	90563-ZV5-000	WASHER, PLAIN, 10MM	2	2	LD, XD
19	90758-ZW1-B00	PIN, SPLIT, 4.0	1	1	LD, XD
20	91005-MY5-601	BEARING, NEEDLE, 30X37X26	1	1	LD, XD
21	91005-PT2-N01	BEARING, THRUST (F)	1	1	LD, XD
22	91051-ZY6-003	BEARING, TAPER, 50X90X28	1	1	LD, XD
23	91055-ZY6-003	BEARING, RADIAL BALL, 50X90X20	1	1	LD, XD
24	91056-ZW5-003	BEARING, NEEDLE (25X32X26)	1	1	LD, XD
25	91101-ZW1-B00	ROLLER, 3X12.5	1	1	LD, XD
26	91252-ZW1-B02	SEAL, WATER, 30X45X7	2	2	LD, XD
27	91351-ZY3-003	O-RING, 105X3.1	1	1	LD, XD
28	94510-14000	CIRCLIP, EXTERNAL, 14MM	1	1	LD, XD
29	96211-07000	BALL, STEEL, #7 (7/32)	2	2	LD, XD
30	96211-09000	BALL, STEEL, #9 (9/32)	2	2	LD, XD

F-5-1 PROPELLER SHAFT/PROPELLER (LCD/XCD) **F12**



Service item	F.R.T.
PROPELLER COMP., THREE BLADES	0.2
O-RING, 105X3.1	1.1
PLATE, SHIFT	1.2
SHIFTER, CLUTCH	1.3
SLIDER, SHIFT	1.3
(INC. RELATIVE PART)	
BEARING, RADIAL BALL, 50X90X20	1.5
GEAR COMP., BEVEL	
SHAFT, PROPELLER	
SEAL, WATER, 30X45X7	1.6
(SAME TIME FOR TWO UNITS)	
BEARING, TAPER, 50X90X28	1.7
GEAR, BEVEL	
BEARING, NEEDLE, 30X37X26	1.8
HOLDER, PROPELLER SHAFT	

Ref. No.	Part No.	Description	Reqd. QTY	BF	BF	BF	Serial No.	Parts catalogue code
1	24101-ZY6-000	SHIFTER, CLUTCH	1	A4				LCD,XCD
2	24102-ZW1-B00	PIN, SHIFTER, 8X47	1	A4				LCD,XCD
3	24103-ZW1-B00	RING, CROSS PIN	1	A4				LCD,XCD
4	24122-ZY6-000	SLIDER, SHIFT	1					LCD,XCD
5	24123-ZY6-000	SPRING, SHIFT	2					LCD,XCD
6	24124-ZY6-000	PLATE, SHIFT	1					LCD,XCD
7	41141-ZY6-710	GEAR, BEVEL (FORWARD 30T)	1					LCD,XCD
8	41150-ZY6-710	GEAR COMP., BEVEL (RVS. 30T)	1					LCD,XCD
9	41161-ZY6-710	SHAFT, PROPELLER	1					LCD,XCD
10	41201-ZY6-710ZA	HOLDER, PROPELLER SHAFT	1					LCD,XCD
		(COUNTER ROTATION)						
		NH282MU						
		OYSTER SILVER METALLIC-U	1					LCD,XCD
		(COUNTER ROTATION)						
11	41202-ZY6-710	HOLDER, BEARING	1					LCD,XCD
12	58180-ZY3-100	PROPELLER COMP., THREE BLADES	1					LCD,XCD
		(14-1/2X15) (C/R)						
58180-ZY3-110	PROPELLER COMP., THREE BLADES	1						LCD,XCD
		(14-1/4X17) (C/R)						
58180-ZY3-120	PROPELLER COMP., THREE BLADES	1						LCD,XCD
		(14X19) (C/R)						
58180-ZY3-130	PROPELLER COMP., THREE BLADES	1						LCD,XCD
		(14X21) (C/R)						

F-5-1

PROPELLER SHAFT/PROPELLER (LCD/XCD)

F13

Ref. Part No. Description Serial No. Parts catalogue code

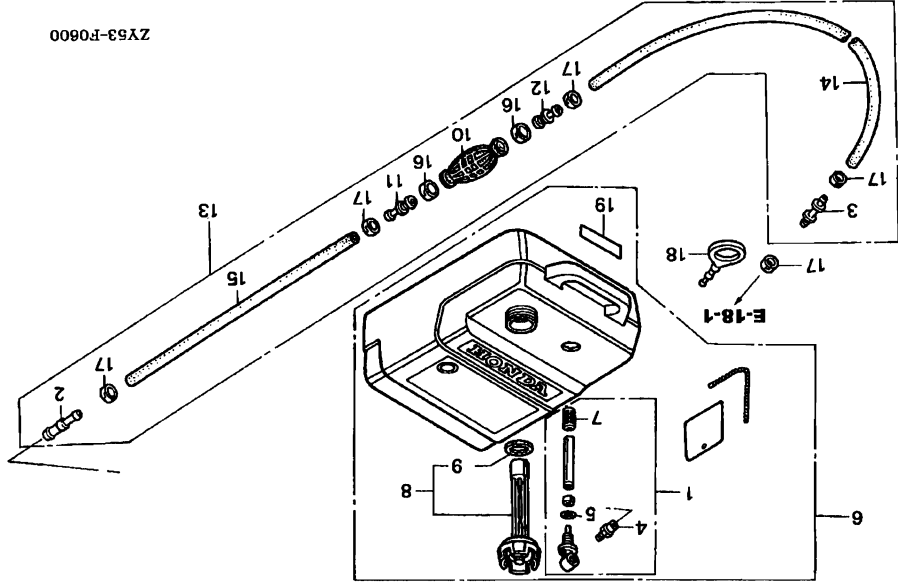
Ref. No.	Part No.	Description	Serial No.	Parts catalogue code
12)	58180-ZY3-140	PROPELLER COMP., THREE BLADES (14-1/2X23) (C/R)	(1)	LCD,XCD
13	90104-ZY6-000	BOLT, FLANGE, 10X40	2	LCD,XCD
14	90301-ZW1-B00	NUT, CASTLE, 18MM	1	LCD,XCD
15	90506-ZY3-000	WASHER, PROPELLER THRUST	1	LCD,XCD
16	90509-ZW5-710	WASHER, THRUST BEARING	2	LCD,XCD
17	90512-ZY3-000	WASHER, PROPELLER	1	LCD,XCD
18	90528-ZY3-000	SHIM A, BEVEL (0.10)	2	LCD,XCD
	90529-ZY3-000	SHIM B, BEVEL (0.15)	2	LCD,XCD
	90530-ZY3-000	SHIM C, BEVEL (0.30)	2	LCD,XCD
	90531-ZY3-000	SHIM D, BEVEL (0.50)	2	LCD,XCD
19	90548-ZW5-710	SHIM A, THRUST (0.10)	1	LCD,XCD
	90549-ZW5-710	SHIM B, THRUST (0.15)	1	LCD,XCD
	90550-ZW5-710	SHIM C, THRUST (0.30)	1	LCD,XCD
	90551-ZW5-710	SHIM D, THRUST (0.50)	1	LCD,XCD
20	90563-ZV5-000	WASHER, PLAIN, 10MM	2	LCD,XCD
21	90758-ZW1-B00	PIN, SPLIT, 4.0	1	LCD,XCD
22	91005-MY5-601	BEARING, NEEDLE, 30X37X26	1	LCD,XCD
23	91005-P12-N01	BEARING, THRUST (F)	1	LCD,XCD
24	91051-ZY6-003	BEARING, TAPER, 50X90X28	1	LCD,XCD
25	91055-ZY6-003	BEARING, RADIAL BALL, 50X90X20	1	LCD,XCD
26	91056-ZW5-003	BEARING, NEEDLE (25X32X26)	1	LCD,XCD
27	91101-ZW1-B00	ROLLER, 3X12.5	1	LCD,XCD
28	91252-ZW1-B02	SEAL, WATER, 30X45X7	2	LCD,XCD
29	91351-ZY3-003	O-RING, 105X3.1	1	LCD,XCD
30	94510-14000	CIRCLIP, EXTERNAL, 14MM	1	LCD,XCD
31	96211-07000	BALL, STEEL, #7 (7/32)	2	LCD,XCD
32	96211-09000	BALL, STEEL, #9 (9/32)	2	LCD,XCD

Reqd. QTY
BF 135
BF 150
A4

FUEL TANK

Service item F.R.T.

FILTER, FUEL 0.1
 .JOINT ASSY, FUEL



ZY53-F0800

Ref. No.	Part No.	Description	Reqd. QTY	Serial No.	Parts catalogue code
1	16900-ZV5-902	JOINT ASSY, FUEL	(1)	(1)	
2	16966-MR1-000	JOINT, FUEL TUBE	1	1	
3	16966-MR5-000	JOINT, FUEL TUBE	1	1	
4	16977-ZV5-A00	FITTING, QUICK DISCONNECT	(1)	(1)	
5	16979-ZV5-901	O-RING	(1)	(1)	
6	17010-ZV5-903	TANK SET, FUEL	(1)	(1)	
7	17583-ZV5-901	FILTER, FUEL	(1)	(1)	
8	17620-ZV5-901	CAP COMP, FUEL FILLER	(1)	(1)	
9	17624-ZV5-901	PACKING, FUEL CAP	(1)	(1)	
10	17661-921-010	BULB, PRIMER	1	1	
11	17665-ZV5-000	VALVE COMP, IN.	1	1	
12	17680-ZV4-000	VALVE COMP, OUTLET	1	1	
13	17700-ZV3-010	TUBE ASSY, FUEL	1	1	
14	17701-ZV5-000	TUBE, FUEL LONG (7.5X2000)	1	1	
15	17702-ZV4-000	TUBE, FUEL SHORT	1	1	
16	17703-921-010	BAND, TUBE CLIP, 20MM	2	2	
17	17704-ZV4-010	BAND, TUBE CLIP, 12.5MM	5	5	
18	17738-ZV3-000	PLUG, FUEL TUBE	1	1	
19	87571-921-010	MARK, TANK CAUTION	(1)	(1)	



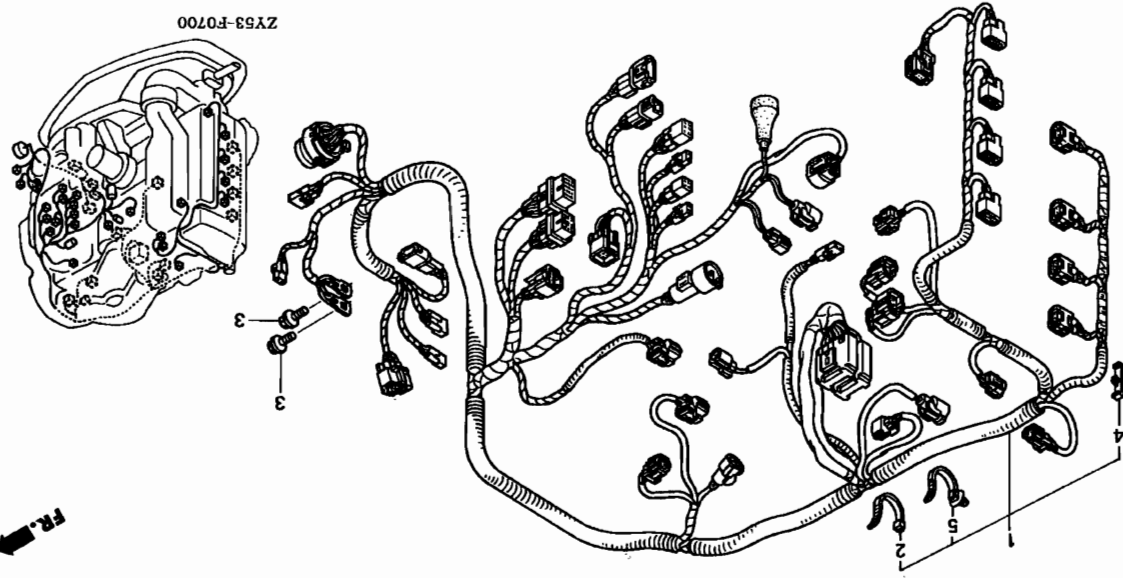
F-7

WIRE HARNESS

F15

Service item F.R.T.

HARNESS ASSY., MAIN WIRE 1.9



Ref. No.	Part No.	Description	Reqd. QTY	Serial No.	Parts catalogue code
1	32100-ZY5-000	HARNESS ASSY., MAIN WIRE	1	-	
2	32100-ZY6-000	-	1	
3	90013-ZW9-000	BOLT, FLANGE, 6X12	2	2	
4	90653-ZY3-003	CLIP, WIRE HARNESS	3	3	
5	91541-S0A-003	CLIP, HARNESS BAND (145MM) ..	21	21	

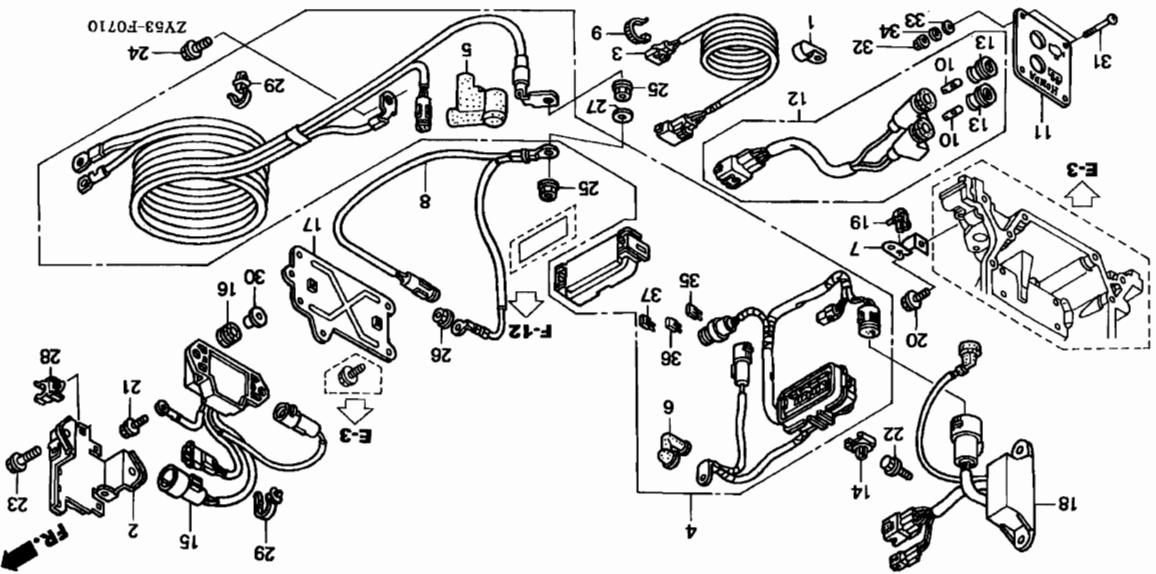
1	32100-ZY5-000	HARNESS ASSY., MAIN WIRE	1	-	
2	32161-KM3-003	BAND, WIRE	1	1	
3	90013-ZW9-000	BOLT, FLANGE, 6X12	2	2	
4	90653-ZY3-003	CLIP, WIRE HARNESS	3	3	
5	91541-S0A-003	CLIP, HARNESS BAND (145MM) ..	21	21	



1	30569-895-000	LAMP F, CABLE	1	1
2	32101-ZY6-000	BRACKET A, COUPLER	1	1
3	32185-ZY6-000	CORD ASSY, INDICATOR	1	1
4	32410-ZY6-000	CABLE ASSY, STARTER	1	1
5	32411-ZY3-003	COVER, STARTER TERMINAL	1	1
6	32412-ZV4-811	COVER, MAGNETIC SWITCH	1	1
7	32419-ZY6-000	BRACKET B, CABLE	1	1
8	32435-ZY6-000	CABLE ASSY, A.C. GENERATOR	1	1
9	32901-952-770	TIE, CABLE	5	5
10	34908-KM1-671	BULB, WEDGE BASE (T6.5) (12V 3W)	2	2
11	37206-ZW5-014	PANEL, INDICATOR	1	1
12	37210-ZW5-004	LAMP ASSY, INDICATION	1	1
13	37581-KR3-008	LENS COMP, SPEEDOMETER PILOT	2	2
14	38216-ZY3-003	CLIP, COUPLER HOLDER (B)	1	1
15	38550-ZY6-003	RELAY ASSY, POWER TILT	1	1
16	38551-ZW1-000	GROMMET, RELAY	2	2
17	38552-ZY6-000	BRACKET, RELAY	1	1
18	38580-ZY6-003	RELAY ASSY, MAIN	1	1
19	46391-VM0-003	CLIP, BRAKE PIPE (A)	1	1
20	90011-ZW9-000	BOLT, FLANGE, 6X14(C1200)	1	1
21	90013-ZW9-000	BOLT, FLANGE, 6X12	1	1
22	90017-ZY3-000	BOLT, FLANGE, 6X16	2	2

2003.10.10 E

Ref. No.	Part No.	Description	Reqd. QTY	Serial No.	Parts catalogue code
				BF	
				135	
				A4	



Service Item	F.R.T.
CABLE ASSY, A.C. GENERATOR	0.4
FUSE	0.5
RELAY ASSY, MAIN	0.7
RELAY ASSY, POWER TILT	0.7

F16

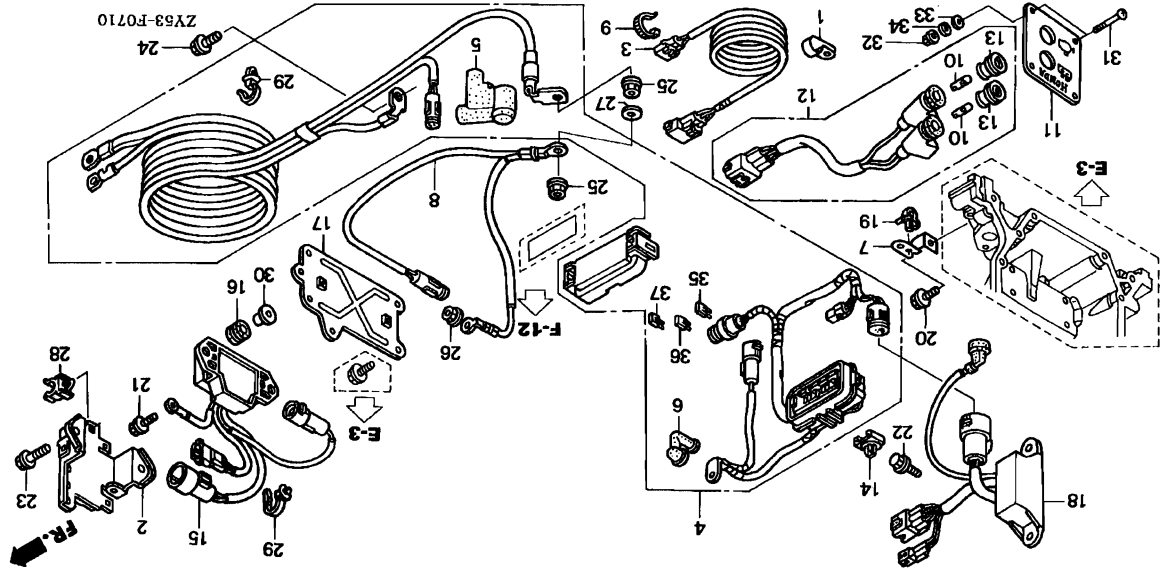
STARTER CABLE

F-7-10

F-7-10

STARTER CABLE

G 1

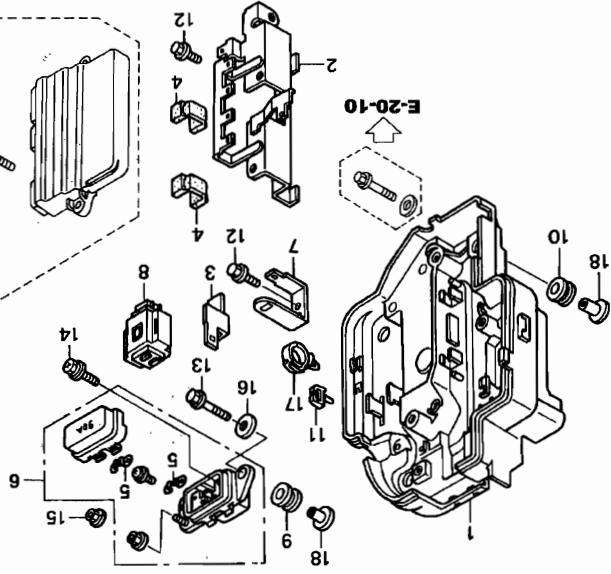
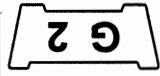


Parts catalogue code

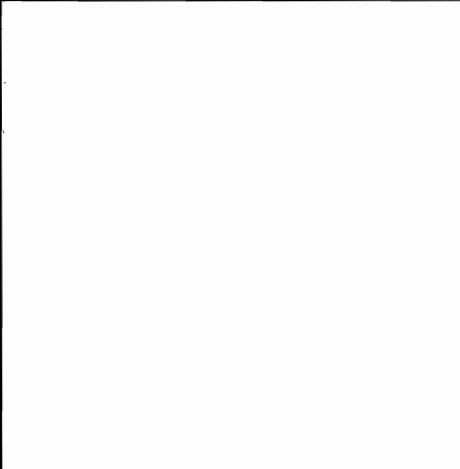
Ref. No.	Part No.	Description	Serial No.	Reqd. QTY
23	90025-2Y3-000	BOLT, FLANGE, 6X22	2	2
24	90107-2Y3-000	BOLT, FLANGE, 8X18	1	1
25	90203-2W1-000	NUT-WASHER, 8MM	2	2
26	90304-2Y3-000	NUT-WASHER, 6MM	1	1
27	90405-2Y3-000	WASHER, PLAIN, 8MM	1	1
28	90687-SB2-003	CLIP, FUEL TUBE, 14	1	1
29	91541-S0A-003	CLIP, HARNESS BAND (145MM)	6	6
30	91553-2V5-010	COLLAR, C.D.I. UNIT CASE	2	2
31	93500-05040-18	SCREW, PAN, 5X40	4	4
32	94050-05020	NUT, FLANGE, 5MM	4	4
33	94103-05200	WASHER, PLAIN, 5MM	4	4
34	94111-05400	WASHER, SPRING, 5MM	4	4
35	98200-41000	FUSE, MINI (10A)	4	4
36	98200-41500	FUSE, MINI (15A)	3	3
37	98200-43000	FUSE, MINI (30A)	3	3

F-7-20

FUSE BOX/RELAY



Service item	F.R.T.
BOX ASSY., FUSE	0.3
.BRACKET B, COUPLER .RELAY UNIT ASSY., AIR FUEL SENSOR	0.5
CASE, ELECTRONIC PARTS	0.5

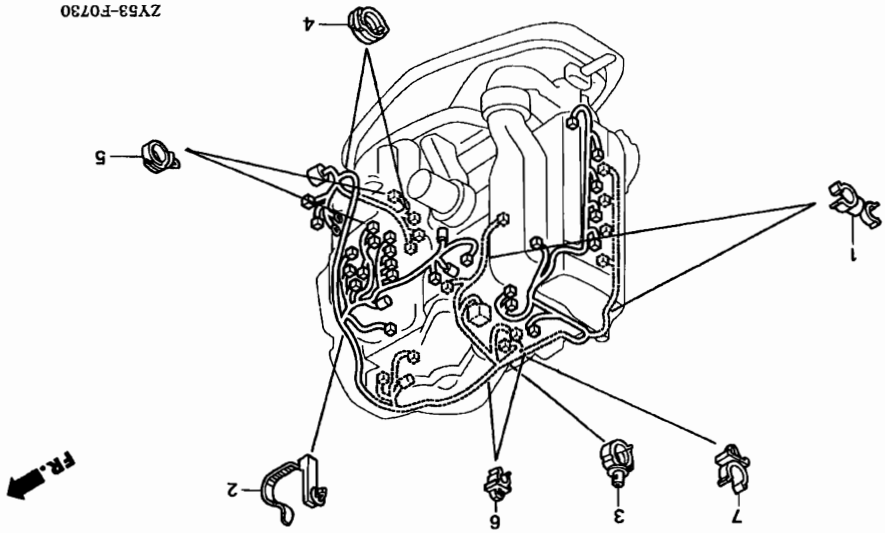
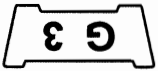


Ref. No.	Part No.	Description	Reqd. QTY	Serial No.	Parts catalogue code
			BF		
			135		
			A4		
			A4		

1	30416-ZY6-000	CASE, ELECTRONIC PARTS	1	1	
2	32102-ZY6-000	BRACKET B, COUPLER	1	1	
3	32103-ZY6-000	BRACKET C, COUPLER	1	1	
4	34751-ZY6-000	SUSPENSION, ECU UNIT	2	2	
5	38201-ZM5-003	FUSE (90A)	2	2	
6	38210-ZY6-003	BOX ASSY., FUSE (90A)	1	1	
7	38217-ZY6-000	BRACKET, FUSE BOX	1	1	
8	38543-ZY6-003	RELAY UNIT ASSY., AIR FUEL SENSOR	1	1	
9	38551-ZM1-000	GROMMET, RELAY	2	2	
10	40102-ZY5-000	GROMMET, UNDER CASE	4	4	
11	80111-KE5-000	CLIP E, WIRE HARNESS	1	1	
12	90014-ZM9-000	BOLT, FLANGE, 6X10	2	2	
13	90019-ZM5-000	BOLT, FLANGE, 6X25	2	2	
14	90108-ZY3-000	BOLT-WASHER, 6X16	2	2	
15	90304-ZY3-000	NUT-WASHER, 6MM	1	1	
16	90508-ZY3-000	WASHER, PLAIN, 6MM	2	2	
17	90681-765-A01	CLIP, WIRE HARNESS	1	1	
18	91553-ZV5-010	COLLAR, C.D.I. UNIT CASE	6	6	

F-7-30

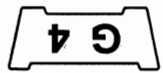
CLAMP



Service Item F.R.T. NOT INFORMATION

Ref. No.	Part No.	Description	Reqd. QTY	BF	BF	Serial No.	Parts catalogue code
1	16965-VM0-771	CLAMP, HOSE	2	A4	A4		
2	32134-SM4-003	BAND, HARNESS (BROWN)	1	BF	BF		
3	32742-PK1-003	CLAMP, ENGINE SUB CORD	1	150	150		
4	90683-KJ2-003	CLIP, WIRE HARNESS	2				
5	90683-SA0-003	CLIP, WIRE HARNESS, 25MM	2				
6	91531-SZ5-003	CLIP, TUBE, 3.5	2				
7	91546-SP0-A01	CLAMP, TUBE, 18.5MM	1				





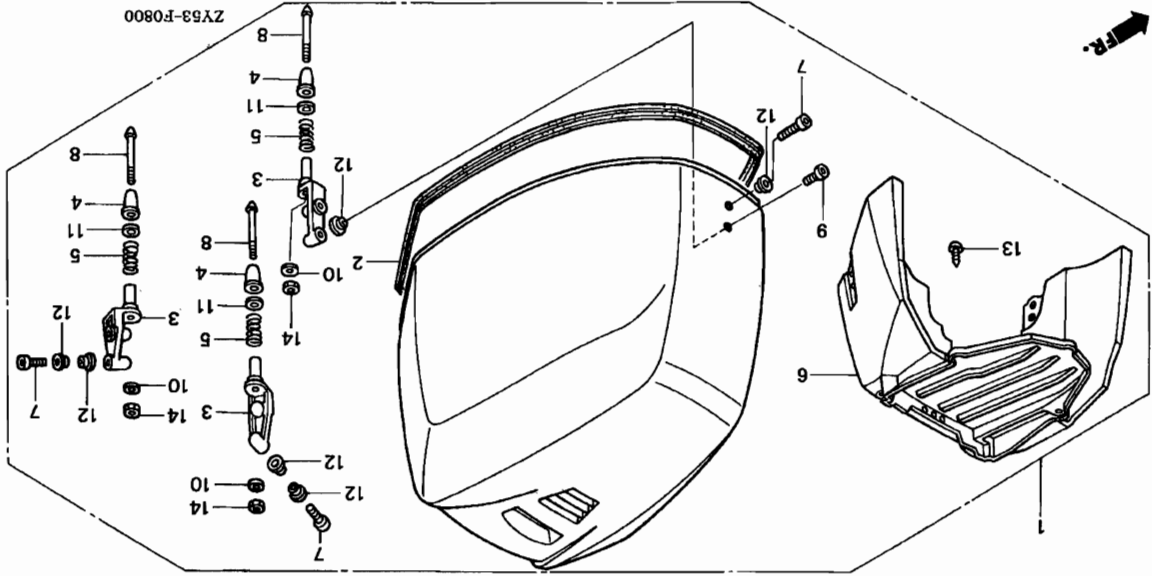
ENGINE COVER ASSY.

F-8

Service item F.R.T.

BRACKET, HOOK (INC. RELATIVE PART) 0.1

SEAL, ENGINE COVER 0.2



Parts catalogue code

Serial No.

Ref. No.	Part No.	Description	Reqd. QTY	BF	BF	BF	BF
				150	135	135	A4
				150	135	135	A4

1 63100-ZY6-000ZA COVER ASSY., ENGINE *NH282MU*

2 63102-ZY6-000 SEAL, ENGINE COVER

3 63107-ZY3-000 BRACKET, HOOK

4 63108-ZY3-000 DAMPER, HOOK

5 63119-ZY3-000 SPRING, LOCK ADJUSTER

6 63144-ZY6-000 GUIDE, ENGINE COVER AIR

7 90101-ZY6-000 BOLT, SOCKET, 6X20

8 90109-ZY3-000 BOLT, COVER LOCK

9 90133-ZY3-000 BOLT, SOCKET, 6X16

10 90504-921-010 WASHER, PLAIN, 6MM

11 90507-ZY3-000 WASHER, PLAIN, 12MM

12 91556-ZY3-000 COLLAR, DISTANCE, 6.5X9X3

13 93913-141J0 SCREW, TAPPING, 4X10

14 94002-06490-0S NUT, HEX., 6MM

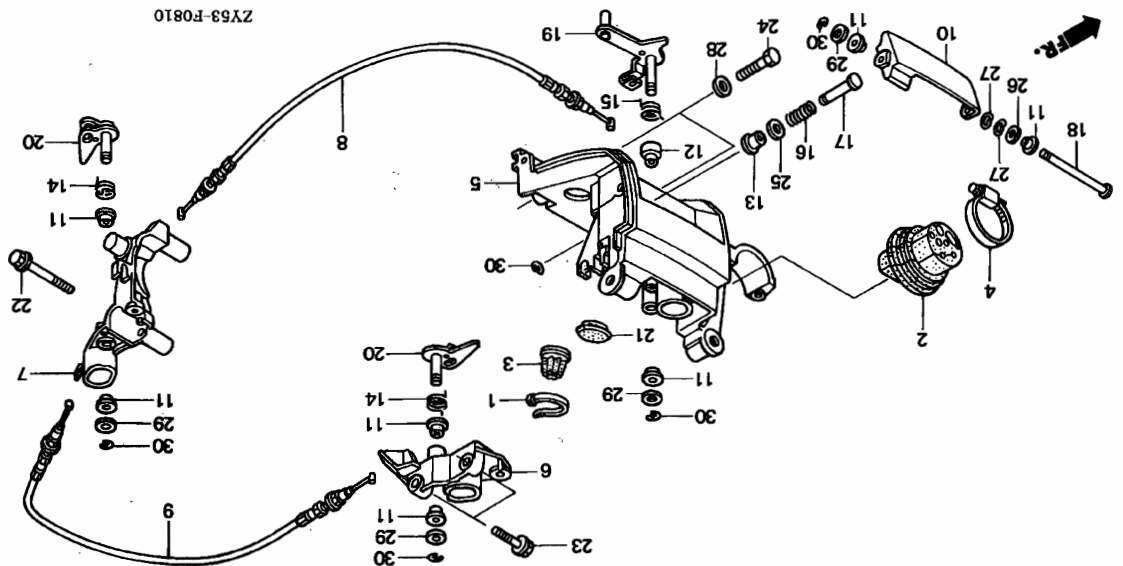
F-8-10

FR. COVER BRACKET/FR. LOCK

G 5

F.R.T. Service item

GROMMET, REMOTE CONTROL CABLE 0.3
 BRACKET, L. SIDE COVER 0.4
 BRACKET, R. SIDE COVER 0.4
 .CABLE COMP. A, COVER LOCK 0.5
 .LOCK COMP., SIDE (INC. RELATIVE PART) 0.5
 .CABLE COMP. B, COVER LOCK 0.6
 BRACKET, FR. UNDER COVER 0.6
 .LEVER, COVER LOCK (INC. RELATIVE PART) 0.6
 .LOCK COMP., FR. 0.6

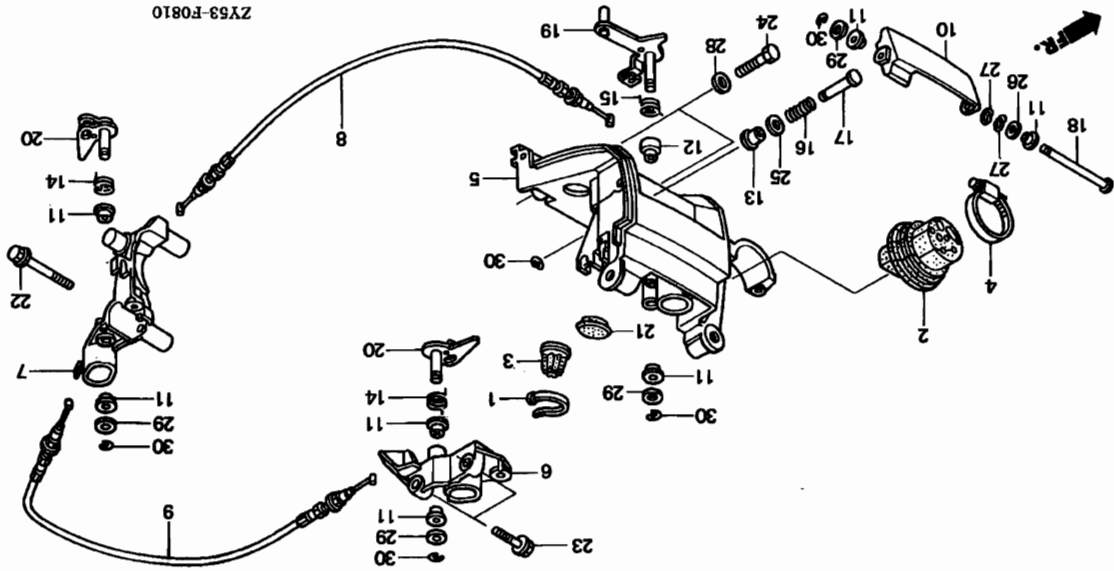
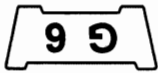


Ref. No.	Part No.	Description	Serial No.	Parts catalogue code
----------	----------	-------------	------------	----------------------

Ref. No.	Part No.	Description	Serial No.	Parts catalogue code
1	35701-MG9-950	BAND	A4	
2	40105-ZY6-000	GROMMET, REMOTE CONTROL CABLE	BF	
3	40107-ZW1-700	GROMMET, UNDER CASE (C)	BF	
4	40119-ZY3-003	BAND, UNDER CASE GROMMET	150	
5	40154-ZY6-000ZA	BRACKET, FR. UNDER COVER	A4	
6	40155-ZY6-000ZA	BRACKET, R. SIDE COVER		
		NH8		
		DARK GRAY		
7	40157-ZY6-000ZA	BRACKET, L. SIDE COVER		
		NH8		
		DARK GRAY		
8	60180-ZY6-003	CABLE COMP. A, COVER LOCK		
9	60185-ZY6-003	CABLE COMP. B, COVER LOCK		
10	63201-ZY3-000ZA	LEVER, COVER LOCK		
		NH282MU		
		OYSTER SILVER METALLIC-U		
11	63205-ZY3-000	BUSH A, COVER LOCK	7	
12	63205-ZY6-000	BUSH A, COVER LOCK	7	
13	63208-ZY3-000	BUSH B, COVER LOCK	1	
14	63212-ZY3-000	SPRING, COVER LOCK HOOK	2	
15	63212-ZY6-000	SPRING, COVER LOCK HOOK	1	
16	63223-ZY6-000	SPRING, LOCK LEVER RETURN	1	
17	63224-ZY3-000	SHAFT, COVER OPEN	1	
18	63225-ZY6-000	SHAFT, FR. LOCK	1	
19	63240-ZY6-000	LOCK COMP., FR.	1	
20	63260-ZY3-000	LOCK COMP., SIDE	2	

F-8-10

FR. COVER BRACKET/FR. LOCK



Ref. No.	Part No.	Description	Serial No.	Parts catalogue code
			Reqd. QTY	
21	63515-ZC0-700	CAP, L. SIDE COVER	A4	
22	90001-ZY6-000	BOLT, FLANGE, 8X5	BF	
23	90025-ZY3-000	BOLT, FLANGE, 6X22	BF	
24	90102-ZV4-000	BOLT, HEX, 8X30	135	
25	90501-MM8-610	WASHER, PLAIN, 8MM	A4	
26	90502-MM8-610	WASHER, PLAIN, 10MM		
27	90506-ZW9-000	WASHER, WAVE, 10MM		
28	90507-ZV4-000	WASHER, PLAIN, 8MM		
29	90518-921-000	WASHER, PLAIN, 8MM		
30	94540-06029	E-RING, 6MM		

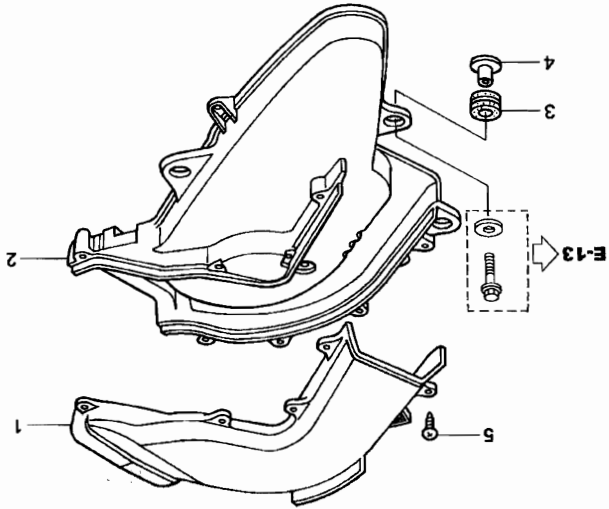
F-8-20

SILENCER DUCT

G 7

Service item F.R.T.

DUCT A, SILENCER 0.1
 DUCT B, SILENCER 0.2



ZY53-F0820

Ref. No.	Part No.	Description	Reqd. QTY	Serial No.	Parts catalogue code
1	17431-ZY6-000	DUCT A, SILENCER	1	BF A4	
2	17432-ZY6-000	DUCT B, SILENCER	1	BF A4	
3	40102-ZV5-000	GROMMET, UNDER CASE	4	BF 135	
4	91553-ZV5-010	COLLAR, C.D.I. UNIT CASE	4	BF 150	
5	93903-25460	SCREW, TAPPING, 5X20	8	BF A4	

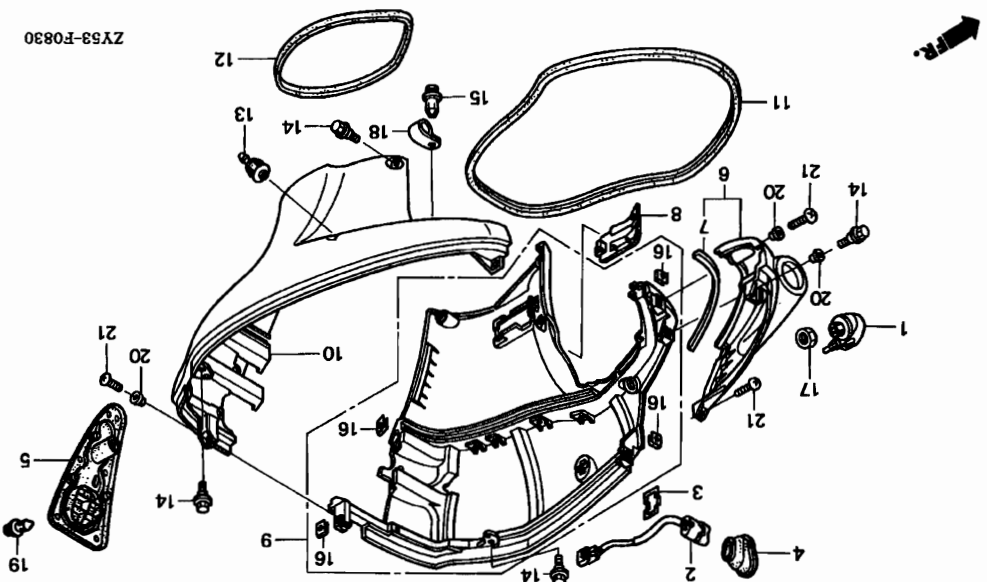
3

74

F-8-30

UNDER COVER

G 8



Service Item	QTY
GROMMET, UNDER COVER	0.1
COVER, L. ENGINE UNDER	0.3
COVER, R. ENGINE UNDER	0.4
(ADD 0.1 FOR EACH.)	
. SWITCH ASSY, POWER TILT	0.7
COVER, FR. SEPARATE	0.7
SEAL B, COVER UNDER	1.9
SEAL A, COVER UNDER	2.0

F.R.T.

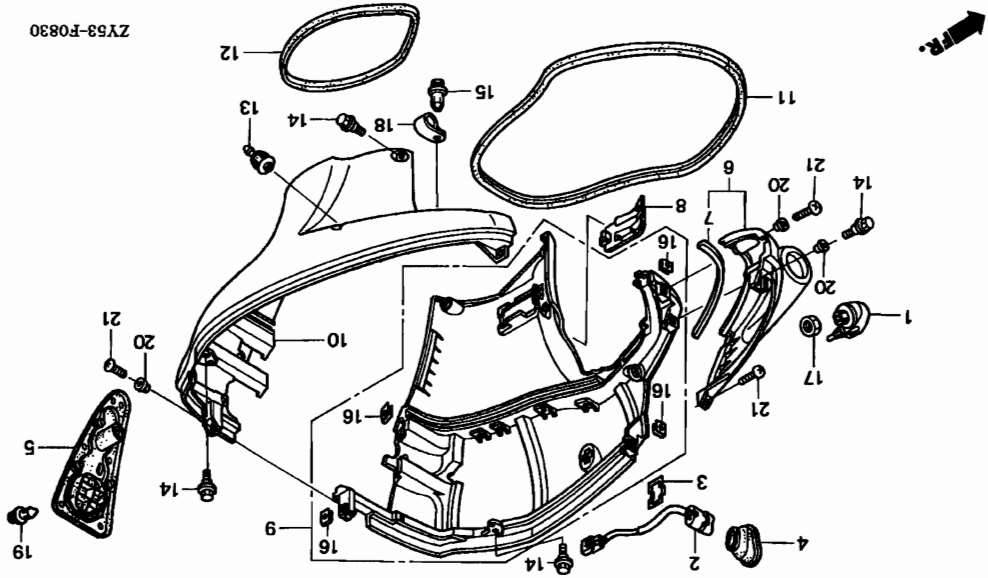
Ref. No.	Part No.	Description	Reqd. QTY	Serial No.	Parts catalogue code
				BF	
				BF	
				135	
				150	
				A4	
				A4	

1	19289-2Y6-000	CAP, WATER JOINT	1		
2	35640-2Y6-003	SWITCH ASSY, POWER TILT	1		
3	35645-2Y3-000	STAY, POWER TILT SWITCH	1		
4	40114-2Y6-000	GROMMET, POWER TILT SWITCH	1		
5	40116-2Y6-000	GROMMET, UNDER COVER	1		
6	40151-2Y6-000ZA	COVER, FR. SEPARATE	1		
		NH282MU			
7	40152-2Y6-300	SEAL, FR. SEPARATE COVER	1		
8	40212-2Y6-000ZA	COVER, DRAIN PLUG	1		
		NH282MU			
9	63711-2Y6-000ZA	COVER, R. ENGINE UNDER	1		
		NH282MU			
10	63716-2Y6-000ZA	COVER, L. ENGINE UNDER	1		
		NH282MU			
		OYSTER SILVER METALLIC-U	1		
11	63718-2Y6-000	SEAL A, COVER UNDER	1		
12	63719-2Y6-000	SEAL B, COVER UNDER	1		
13	82873-2Y6-000	GROMMET, WATER CHECK	1		
14	90111-2Y3-000	BOLT, SPECIAL, 6X17	12		
15	90127-2V5-003	SCREW, RIVET, 5X10	2		
16	90301-2Y6-000	NUT, CLIP	6		
17	90302-921-000	NUT, HEX., 16MM	1		
18	90628-750-000	CLIP (14MM)	2		

F-8-30

UNDER COVER

G 9



Parts catalogue code

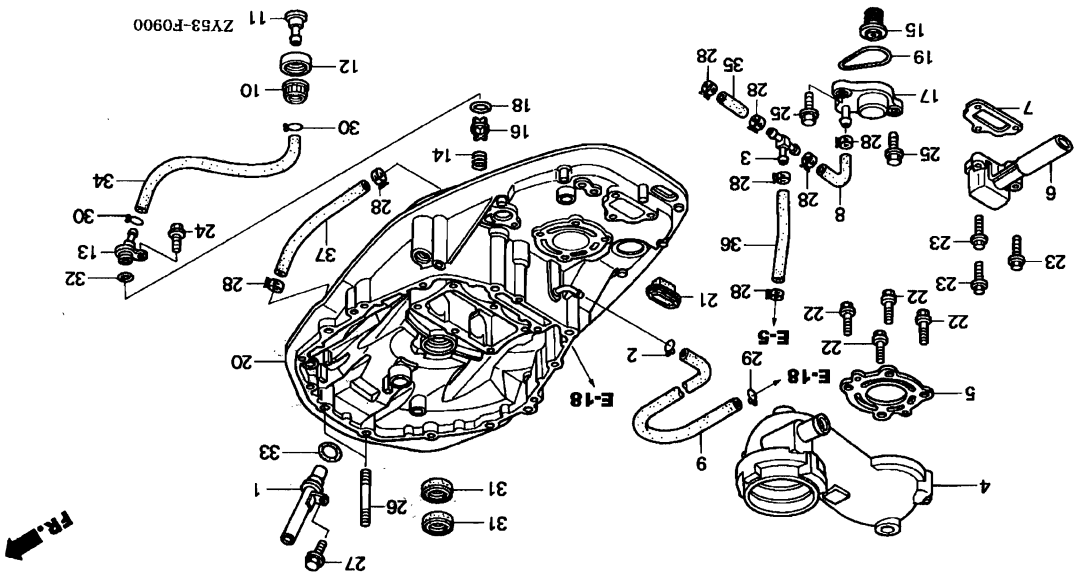
Ref. No.	Part No.	Description	Reqd. QTY	Serial No.
			BF	
			135	
			150	
			A4	
			A4	

19	90653-HC4-900	CLIP, MUDGUARD	6	
20	91553-ZY6-000	COLLAR, DISTANCE, 6.5X9X5 ...	7	
21	93500-06025-4J	SCREW, PAN, 6X25	6	

MOUNT CASE

F-9

G10

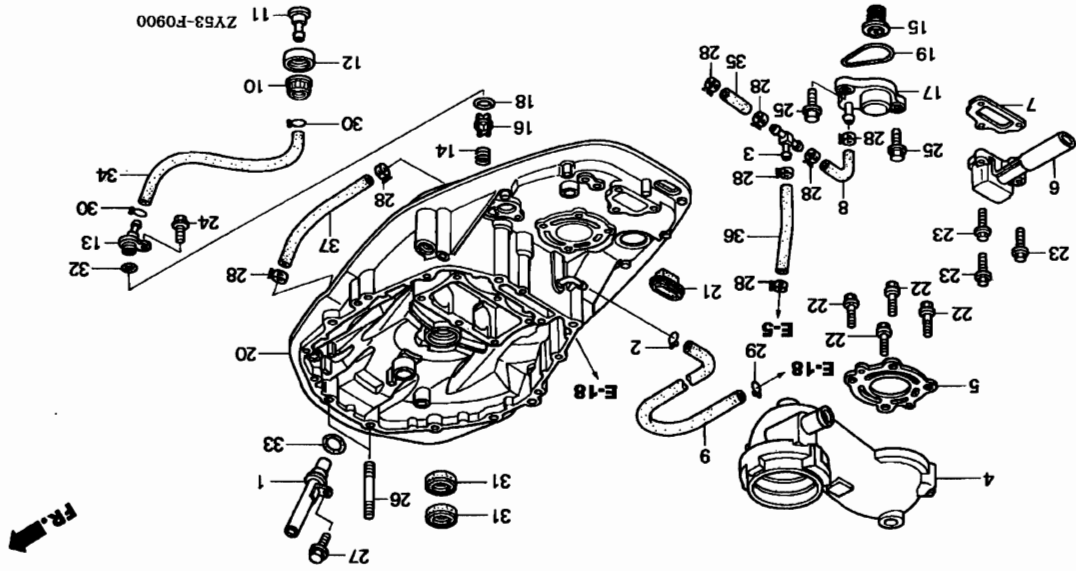


Service Item	QTY
PIPE COMP, OIL LEVEL	0.1
TUBE, 7X200	0.3
COVER, RELIEF VALVE	0.4
(INC. RELATIVE PART)	
.PORT, IDLE EXHAUST	
GASKET, EX. GUIDE	3.0
.GUIDE COMP, EX.	
SEAL, WATER, 22X35X7	5.1
(SAME TIME FOR TWO UNITS)	
CASE COMP, MOUNT	6.0

Ref. No.	Part No.	Description	Serial No.	Parts catalogue code
		Reqd. QTY		
		BF	A4	
		BF	A4	
		135	A4	
		150	A4	

1	15665-ZM1-020	PIPE COMP, OIL LEVEL	1	
2	16163-GHB-610	CLIP, TUBE, (B6.5)	1	
3	17195-MNS-000	T-JOINT	1	
4	18130-ZY6-000ZA	GUIDE COMP, EX.	1	
		NH8	1	
		DARK GRAY	1	
5	18135-ZY6-003	GASKET, EX. GUIDE	1	
6	18211-ZY6-000ZA	PORT, IDLE EXHAUST	1	
		NH8	1	
		DARK GRAY	1	
7	18212-ZY6-000	GASKET, IDLE EX. PORT	1	
8	19256-ZY6-000	TUBE, WATER RELIEF	1	
9	19267-ZY6-000	TUBE F, WATER	1	
10	19270-ZY3-000	NUT, WATER MOUTH	1	
11	19271-ZY3-000	JOINT, WATER HOSE	1	
12	19272-ZY3-000	SEAT, WATER MOUTH	1	
13	19277-ZY3-000ZA	COVER, FLUSH VALVE	1	
		NH8	1	
		DARK GRAY	1	
14	19279-ZW9-000	SPRING, FLASH VALVE	1	
15	19290-ZY6-003	VALVE ASSY, RELIEF	1	
16	19291-ZW9-000	VALVE, FLASH	1	
17	19295-ZY6-000	COVER, RELIEF VALVE	1	
18	19297-ZW9-000	PACKING, FLASH VALVE	1	
19	19317-ZW9-000	O-RING, THERMOSTAT COVER	1	
20	23170-ZY6-000ZA	CASE COMP, MOUNT	1	
		NH8	1	
		DARK GRAY	1	
21	23173-ZY3-000	RUBBER, MOUNT CASE SEAL	1	

MOUNT CASE



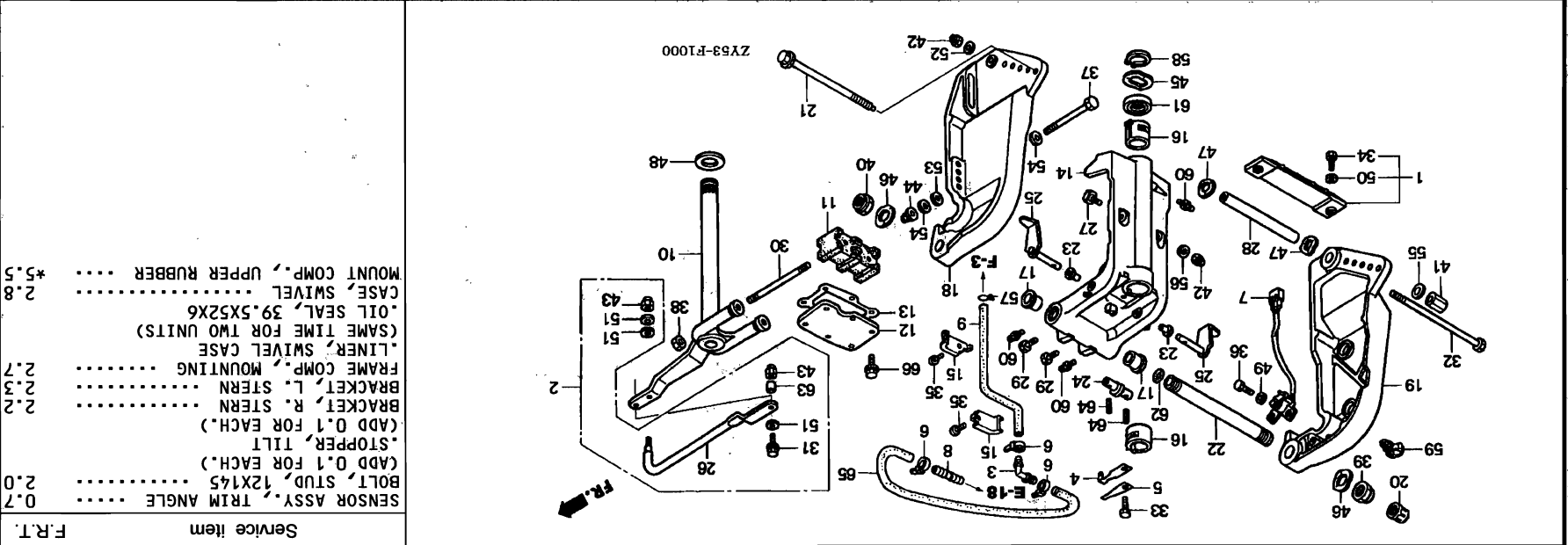
Parts catalogue code

Ref. No. Part No. Description Req'd. QTY Serial No.

22	90014-ZY6-000	BOLT, FLANGE, 8X30	4	A4
23	90016-ZW9-000	BOLT, FLANGE, 6X25	3	A4
24	90017-ZY3-000	BOLT, FLANGE, 6X16	1	BF
25	90025-ZY3-000	BOLT, FLANGE, 6X22	2	BF
26	90045-ZY6-000	BOLT, STUD, 2, 10X55	2	A4
27	90056-ZY3-000	BOLT, FLANGE, 6X12	1	BF
28	90601-ZY3-010	CLAMP, TUBE (D10.5)	8	BF
29	90604-881-000	CLIP, TUBE (B12)	1	BF
30	90651-ZY6-000	CLIP B1, TUBE	2	BF
31	91202-ZW5-003	SEAL, WATER, 22X35X7	2	BF
32	91303-800-000	O-RING, 16MM	1	BF
33	91309-PJ7-010	O-RING, 11.5X3.5	1	BF
34	95001-80300-40	TUBE, FUEL, 8X300	1	BF
35	95005-70040-30	TUBE, 7X40(95005-70001-30M) - (95001-80001-60M)	1	BF
36	95005-70160-30	TUBE, 7X160(95005-70001-30M)	1	BF
37	95005-70200-30	TUBE, 7X200(95005-70001-30M)	1	BF

Ref. No.	Part No.	Description	Serial No.	Parts catalogue code
1	06411-ZW1-000	METAL KIT, ANODE	(1)	
2	06532-ZY6-U00	ROD KIT, STEERING	(1)	
3	17357-GE1-670	JOINT A, BREATHER	1	
4	24210-ZV1-010	SPRING COMP, CLICK	1	
5	24221-ZV4-010	SPRING, CLICK ASSIST	1	
6	32161-KM3-003	BAND, WIRE	3	
7	35660-ZY6-003	SENSOR ASSY, TRIM ANGLE	1	
8	41171-ZV5-000	END, NIPPLE	1	
9	41173-ZY6-000	TUBE, SPEED SENSOR	1	
10	50100-ZY6-000	FRAME COMP, MOUNTING	1	
11	50151-ZW5-000	MOUNT COMP, UPPER RUBBER	1	
12	50167-ZY6-000	HOLDER, UPPER MOUNTING	1	
13	50168-ZY6-003	GASKET, UPPER MOUNTING HOLDER	1	
14	50201-ZW1-020ZA	CASE, SWIVEL	1	
15	50209-ZY6-000	PLATE, SPEED SENSOR TUBE	2	
16	50211-ZV5-003	LINER, SWIVEL CASE	2	
17	50214-ZW1-000	BUSH, SWIVEL CASE	2	
18	50301-ZW1-040ZA	BRACKET, R. STERN	1	
19	50311-ZW1-040ZA	BRACKET, L. STERN	1	
20	50331-ZV5-000	CAP, TILTING BOLT	1	

Ref. No.	Part No.	Description	Serial No.	Parts catalogue code
1	06411-ZW1-000	METAL KIT, ANODE	(1)	
2	06532-ZY6-U00	ROD KIT, STEERING	(1)	
3	17357-GE1-670	JOINT A, BREATHER	1	
4	24210-ZV1-010	SPRING COMP, CLICK	1	
5	24221-ZV4-010	SPRING, CLICK ASSIST	1	
6	32161-KM3-003	BAND, WIRE	3	
7	35660-ZY6-003	SENSOR ASSY, TRIM ANGLE	1	
8	41171-ZV5-000	END, NIPPLE	1	
9	41173-ZY6-000	TUBE, SPEED SENSOR	1	
10	50100-ZY6-000	FRAME COMP, MOUNTING	1	
11	50151-ZW5-000	MOUNT COMP, UPPER RUBBER	1	
12	50167-ZY6-000	HOLDER, UPPER MOUNTING	1	
13	50168-ZY6-003	GASKET, UPPER MOUNTING HOLDER	1	
14	50201-ZW1-020ZA	CASE, SWIVEL	1	
15	50209-ZY6-000	PLATE, SPEED SENSOR TUBE	2	
16	50211-ZV5-003	LINER, SWIVEL CASE	2	
17	50214-ZW1-000	BUSH, SWIVEL CASE	2	
18	50301-ZW1-040ZA	BRACKET, R. STERN	1	
19	50311-ZW1-040ZA	BRACKET, L. STERN	1	
20	50331-ZV5-000	CAP, TILTING BOLT	1	



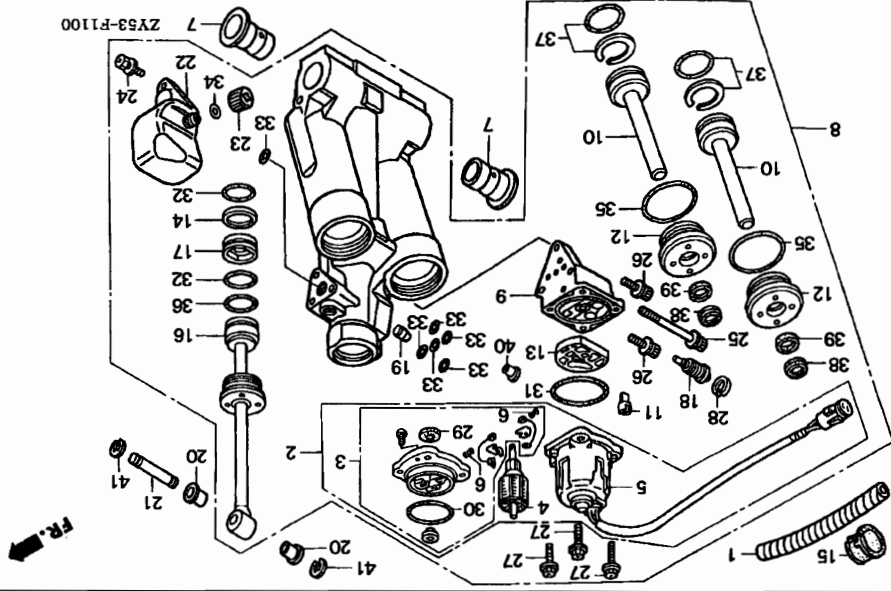
F-10 STERN BRACKET/SWIVEL CASE

Ref. No.	Part No.	Description	Reqd. QTY	Serial No.	Parts catalogue code
21	50341-ZW5-010	ROD, ADJUSTING	(1)	(1)	
22	50381-ZY5-000	SHAFT, TILTING	1	1	
23	50522-ZV5-000	BUSH, TILT ARM	2	2	
24	50527-ZW1-000	BRACKET, TILTING	1	1	
25	50529-ZW1-000	STOPPER, TILT	2	2	
26	53238-ZW1-010	ROD, STEERING	(1)	(1)	
27	56516-ZW1-000	RECEIVER, THRUST	2	2	
28	56539-ZW1-000	COLLAR, LOWER CYLINDER	1	1	
29	90102-ZW1-000	BOLT, 1/4-28UNF	2	2	
30	90102-ZY6-000	BOLT, STUD, 12X145	2	2	
31	90105-ZW1-000	BOLT, 3/8-24UNF	(1)	(1)	
32	90108-ZW1-000	BOLT, HEX., 10X255	1	1	
33	90110-881-000	BOLT, HEX., 6X14	1	1	
34	90113-ZV5-000	BOLT, HEX., 6X25	(2)	(2)	
35	90119-ZV5-000	SCREW, PAN, 6X8	2	2	
36	90124-ZV4-000	BOLT, HEX., 6X20	2	2	
37	90129-ZW1-010	BOLT, HEX., 12X119	6	6	
38	90302-ZW5-003	NUT, FLANGE, 12MM	2	2	
39	90304-ZV5-013	NUT, SELF-LOCK (7/8-14UNF)	1	1	
40	90304-ZW1-013	NUT, SELF-LOCK (M25X2.0)	1	1	
41	90304-ZW5-000	NUT, ADJUSTER ROD	(1)	(1)	
42	90306-ZV5-003	NUT, SELF-LOCK, 10MM	3	3	
43	90307-ZV5-003	NUT, SELF-LOCK (3/8-24UNF)	(2)	(2)	
44	90308-ZW1-003	NUT, SELF-LOCK, 12MM	6	6	
45	90501-ZV5-000	WASHER, WAVE, 40MM	1	1	
46	90502-ZV5-000	WASHER, WAVE, 26MM	2	2	
47	90502-ZW1-000	WASHER, WAVE, 32MM	2	2	
48	90504-ZV5-000	WASHER, THRUST, 34MM	1	1	
49	90504-921-010	WASHER, PLAIN, 6MM	2	2	
50	90506-ZV4-000	WASHER, PLAIN, 6MM	(2)	(2)	
51	90514-ZV4-000	WASHER, 10MM	(3)	(3)	
52	90545-ZV5-000	WASHER, PLAIN, 10MM	1	1	
53	90552-ZV5-000	WASHER, PLAIN, 12MM	6	6	
54	90559-ZV5-000	WASHER, PLAIN, 12MM	12	12	
55	90559-ZV5-000	WASHER, PLAIN, 12MM	(1)	(1)	
56	90563-ZV5-000	WASHER, PLAIN, 10MM	2	2	
57	90602-921-000	CLIP, TUBE (B8)	1	1	
58	90651-ZV5-000	CIRCLIP, EXTERNAL, 39MM	1	1	
59	90681-763-A01	CLIP, WIRE HARNESS	1	1	
60	90951-ZV7-010	NIPPLE, GREASE	3	3	
61	91256-ZV5-003	OIL SEAL, 39.5X52X6(ARAI)	1	1	
62	91352-ZV5-000	O-RING, 15.54X2.26	1	1	
63	91560-ZV5-000	COLLAR, STEERING ROD	(1)	(1)	
64	94305-25203	PIN, SPRING, 2.5X20	2	2	
65	95005-50950-30	TUBE, 5X950(95005-50001-30M)	1	1	
66	95801-08035-09	BOLT, FLANGE, 8X35	6	6	

POWER TRIM-TILT

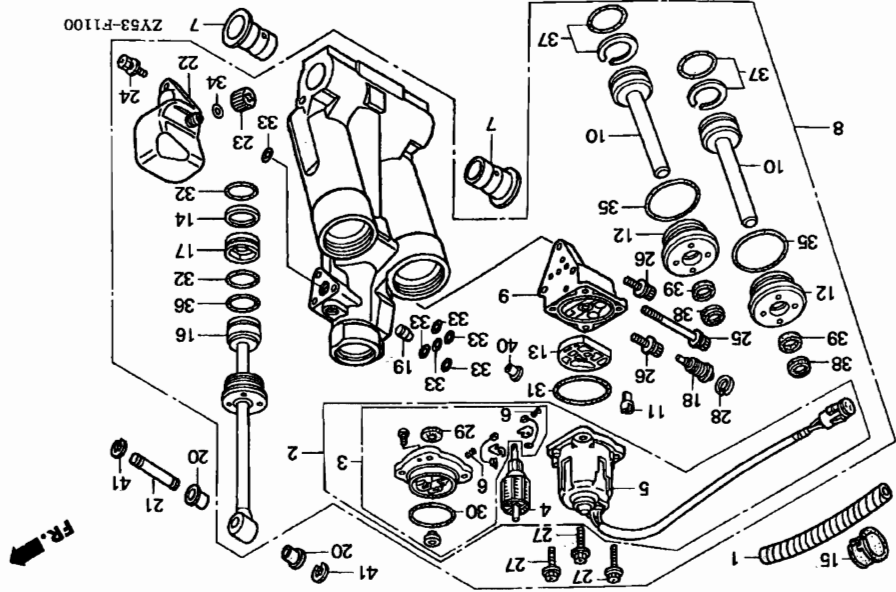
Service Item F.R.T.

2.5 TRIM-TILT ASSY, POWER
 2.7 TANK, OIL
 3.5 MOTOR ASSY, POWER TILT
 3.6 FILTER B
 3.7 ARMATURE COMP.
 .BRACKET ASSY.
 .PUMP ASSY.
 .YOKE ASSY.
 ROD COMP, PISTON 4.4
 (INC. RELATIVE PART)
 (REF NO,16)
 ROD COMP, PISTON
 .ROD COMP, PISTON
 (INC. RELATIVE PART)
 (SAME TIME FOR TWO
 UNITS OR MORE)
 (REF NO,10)



Ref. No.	Part No.	Description	Reqd. QTY	Serial No.	Parts catalogue code
1	36104-2Y6-003	TUBE, SPIRAL	1	A4	
2	36120-2Y6-003	MOTOR ASSY, POWER TILT	1		
3	36122-2Y3-003	BRACKET ASSY.	1		
4	36123-2Y3-003	ARMATURE COMP.	1		
5	36129-2Y6-003	YOKE ASSY.	1		
6	36136-2Y5-821	SPRING, MOTOR	2		
7	50214-2Y5-003	BUSH, SWIVEL CASE	2		
8	56000-2Y6-003	TRIM-TILT ASSY, POWER	1		
9	56100-2Y6-003	PUMP ASSY.	1		
10	56110-2W1-701	ROD COMP, PISTON (B)	2		
11	56113-2W1-701	JOINT, DRIVE	1		
12	56115-2W1-702	GUIDE COMP, ROD	2		
13	56116-2W1-701	FILTER B	1		
14	56117-2Y5-821	RING, BACK UP	1		
15	56118-2Y6-000	BUSH, MOTOR CODE	1		
16	56120-2W1-702	ROD COMP, PISTON	1		
17	56130-2W1-702	PISTON COMP, FREE	1		
18	56170-2Y3-013	VALVE COMP, MANUAL	1		
19	56180-2W1-701	VALVE COMP, RESERVOIR	1		
20	56513-2Y5-000	BUSH, LOWER CYLINDER	2		
21	56532-2W1-000	PIN, UPPER CYLINDER	1		
22	56851-2W1-703	TANK, OIL	1		
23	56860-2W1-701	CAP COMP, OIL TANK	1		
24	90113-2W1-702	BOLT, RECESSED	3		
25	90114-2W1-702	BOLT, SOCKET (A)	1		





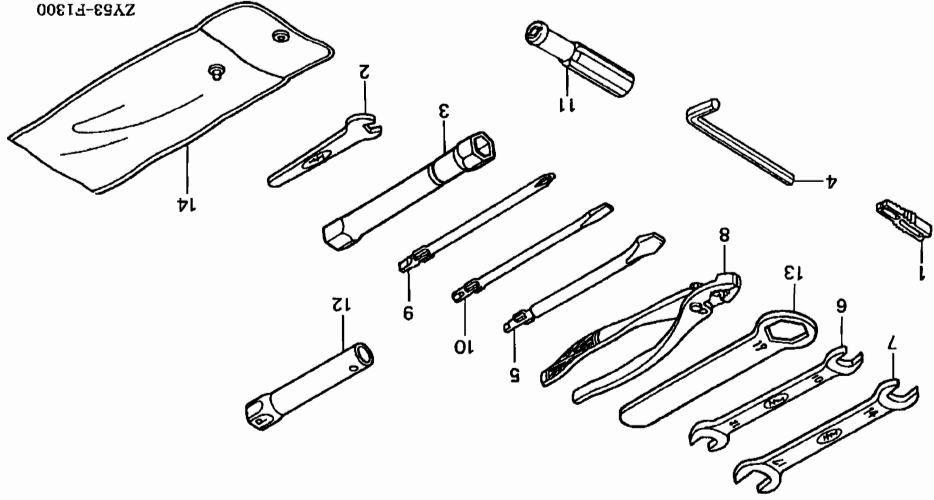
Ref. No.	Part No.	Description	Reqd. QTY	Serial No.	Parts catalogue code
----------	----------	-------------	-----------	------------	----------------------

26	90115-ZW1-702	BOLT, SOCKET (B)	2	A4	
27	90116-ZW1-702	BOLT, HEX.	2	BF	
28	90652-ZW1-702	CIRCLIP, INTERNAL	4	135	
29	91203-ZV5-821	OIL SEAL	1	150	
30	91207-ZW1-003	O-RING	1	A4	
31	91302-ZV5-821	O-RING	1		
32	91316-ZV5-821	O-RING	2		
33	91352-ZW1-702	O-RING	6		
34	91353-ZW1-703	O-RING	1		
35	91354-ZW1-701	O-RING	2		
36	91355-ZW1-701	O-RING	1		
37	91357-ZW1-701	O-RING SET	2		
38	91358-ZW1-701	SEAL, WATER	2		
39	91361-ZW1-701	PACKING	2		
40	91557-ZW1-701	COLLAR, ORIFICE	1		
41	94540-15029	E-RING, 15MM	2		



Service item F.R.T.

NOT INFORMATION



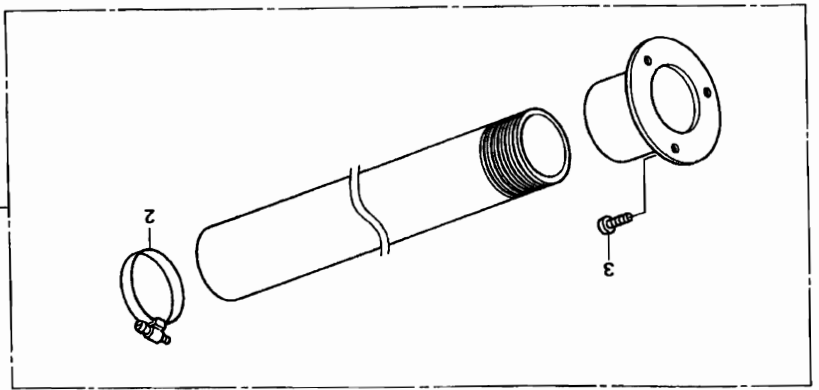
Ref. No.	Part No.	Description	Reqd. QTY	Serial No.	Parts catalogue code
1	38235-S04-003	PULLER, MINI FUSE (SUMITOMO)	1	A4	
2	89203-836-000	SPANNER, 8MM	1	BF	
3	89216-2Y6-000	WRENCH, PLUG	1	135	
4	89221-460-840	WRENCH, HEX, 6MM	1	BF	
5	89301-921-010	DRIVER, CHECK BOLT	1	A4	
6	99001-10120	SPANNER, 10X12	1		
7	99001-14170	SPANNER, 14X17	1		
8	99002-13500	PLIERS, 135	1		
9	99003-10000	DRIVER PLUS SCREW 1 (NO.2)	1		
10	99003-30000	DRIVER MINUS SCREW 3 (NO.2)	1		
11	99003-50000	GRIP, SCREW DRIVER	1		
12	99004-16170	WRENCH, BOX (P16X17)	1		
13	99006-19000	WRENCH, EYE, 19MM	1		
14	99008-02300	BAG, TOOL, 230MM	1		



		<table border="1"> <tr> <td>1</td> <td>06177-ZY3-U02</td> <td>HOSE KIT, RIGGING</td> <td>(1)</td> <td>(1)</td> </tr> <tr> <td>2</td> <td>17748-ZY3-U01</td> <td>CLAMP</td> <td>(1)</td> <td>(1)</td> </tr> <tr> <td>3</td> <td>17749-ZY3-U01</td> <td>SCREW, TAPPING</td> <td>(3)</td> <td>(3)</td> </tr> </table>	1	06177-ZY3-U02	HOSE KIT, RIGGING	(1)	(1)	2	17748-ZY3-U01	CLAMP	(1)	(1)	3	17749-ZY3-U01	SCREW, TAPPING	(3)	(3)
1	06177-ZY3-U02	HOSE KIT, RIGGING	(1)	(1)													
2	17748-ZY3-U01	CLAMP	(1)	(1)													
3	17749-ZY3-U01	SCREW, TAPPING	(3)	(3)													

Parts catalogue code	Serial No.	Description	Ref. No.	Part No.	Reqd. QTY
----------------------	------------	-------------	----------	----------	-----------

ZYS3-Y0100



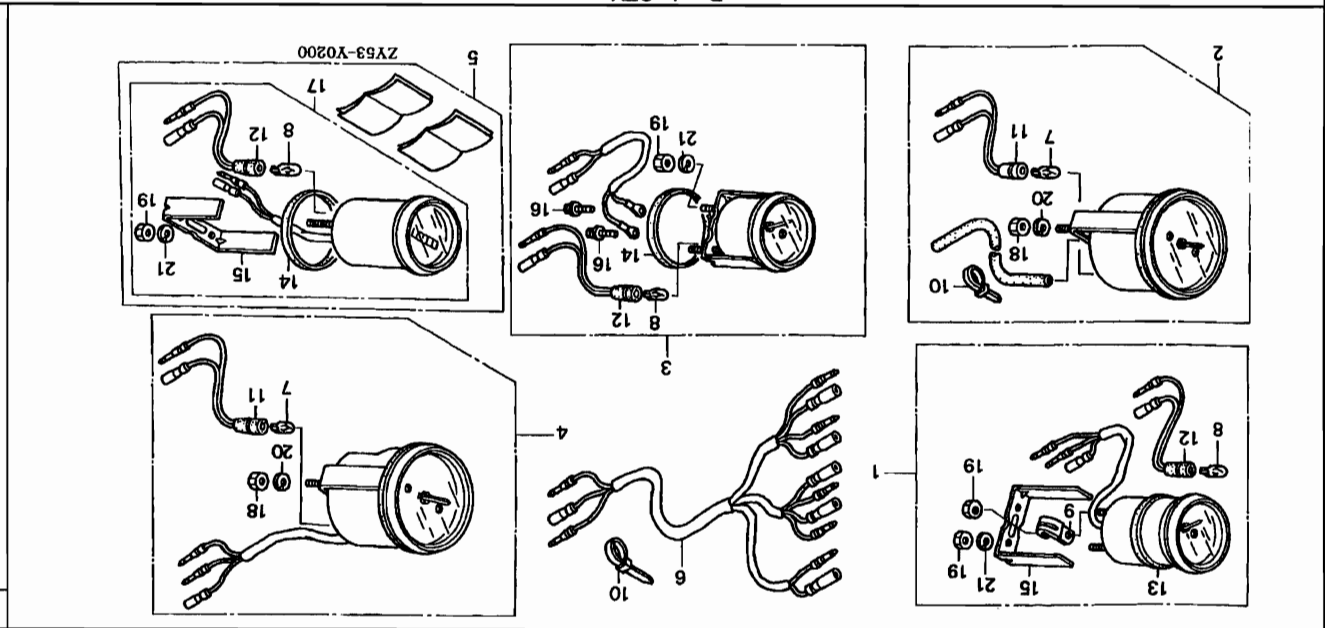
Service Item F.R.T. NOT INFORMATION

FOP-1 RIGGING HOSE KIT H 2

METER(1)



Service item F.R.T.



Ref. No.	Part No.	Description	Serial No.	Parts catalogue code
			BF	
			135	
			A4	
			A4	
			Reqd. QTY	

1	06372-2W5-U00	METER KIT, TRIM	(1)	(1)
2	06373-2W5-U00	METER KIT, SPEED	(1)	(1)
3	06374-2W5-U00	METER KIT, VOLT	(1)	(1)
4	06375-2W5-U00	METER KIT, TACHO	(1)	(1)
5	06397-2W5-U00	METER KIT, HOUR	(1)	(1)
6	32550-2W5-U00	HARNES ASSY, METER (B)	(1)	(1)
7	34908-MB9-871	BULB, WEDGE BASE (12V 1.7W)	(2)	(2)
8	34908-MG9-951	BULB, WEDGE BASE (12V 1.7W)	(3)	(3)
9	37215-KM1-670	CLAMP	(1)	(1)
10	37226-M25-008	BAND, SELF LOCK	(2)	(2)
11	37258-2V5-U01	SOCKET COMP.	(2)	(2)
12	37258-2W5-U01	SOCKET COMP.	(3)	(3)
13	37263-2V5-821	PACKING	(1)	(1)
14	37264-2V5-821	PACKING	(2)	(2)
15	37266-2V5-821	BRACKET	(2)	(2)
16	37305-KE5-008	SCREW-WASHER, 3X22	(2)	(2)
17	39700-2W5-U01	METER ASSY, HOUR	(1)	(1)
18	90309-2V5-821	NUT, HEX, 5MM	(3)	(3)
19	90310-2V5-821	NUT, HEX, 4MM	(7)	(7)
20	90550-2V5-821	WASHER, SPRING, 5MM	(3)	(3)
21	90560-2V5-821	WASHER, SPRING, 4MM	(6)	(6)

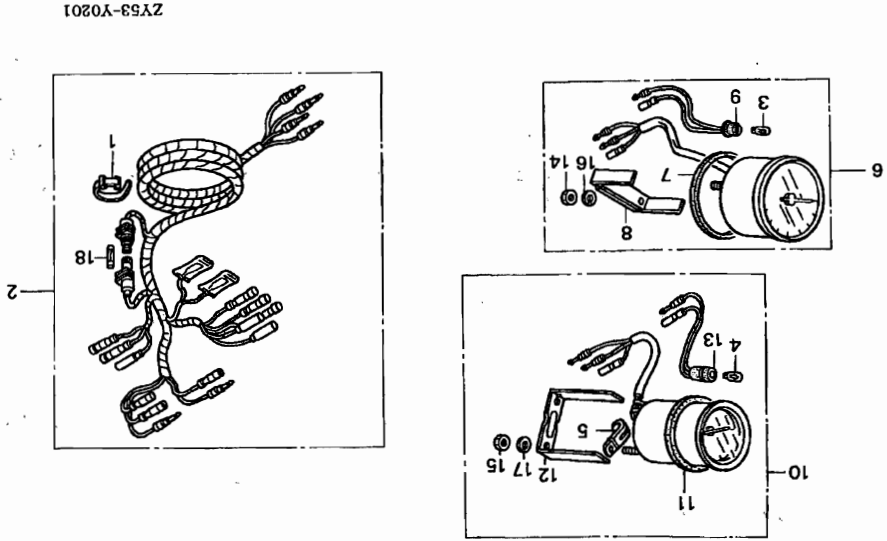
FOP-2-1

METER(2)



Service item F.R.T.

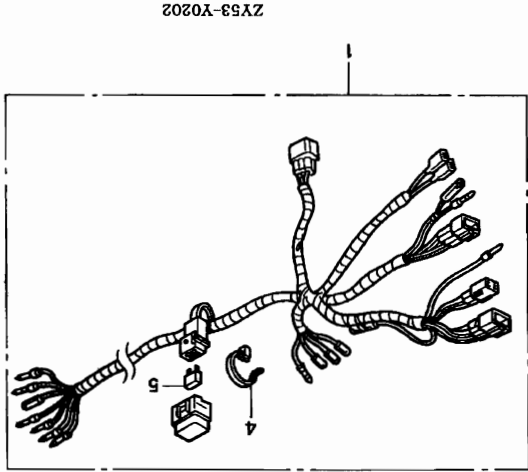
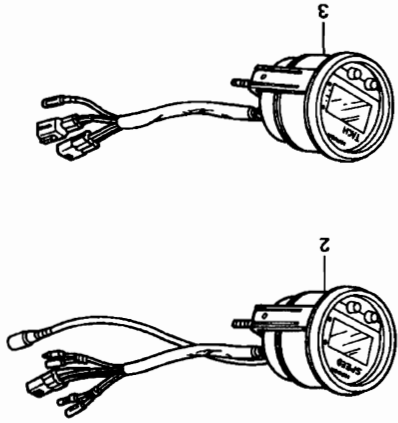
NOT INFORMATION



ZY53-Y0201

Parts catalogue code

Ref. No.	Part No.	Description	Serial No.	Reqd. QTY
1	32161-404-000	BAND B1, WIRE	A4	(1)
2	32540-ZV5-910	HARNESS ASSY, METER (A)	BF	(1)
3	34908-MB9-871	BULB, WEDGE BASE (12V 1.7W)	150	(1)
4	34908-MG9-951	BULB, WEDGE BASE (12V 1.7W)	A4	(1)
5	37215-KM1-670	CLAMP	A4	(1)
6	37250-ZV7-912	TACHOMETER ASSY		(1)
7	37253-ZV5-821	PACKING		(1)
8	37256-ZV5-821	BRACKET		(1)
9	37258-ZV5-821	SOCKET COMP.		(1)
10	37260-ZV5-821	METER ASSY, TRIM		(1)
11	37263-ZV5-821	PACKING		(1)
12	37266-ZV5-821	BRACKET		(1)
13	37268-ZV5-821	SOCKET COMP.		(1)
14	90309-ZV5-821	NUT, HEX, 5MM		(2)
15	90310-ZV5-821	NUT, HEX, 4MM		(2)
16	90550-ZV5-821	WASHER, SPRING, 5MM		(2)
17	90560-ZV5-821	WASHER, SPRING, 4MM		(2)
18	98200-11000	FUSE A (10A)		(1)



ZY53-Y0202

Ref. No.	Part No.	Description	Reqd. QTY
			BF
			135
			A4
			A4

Parts catalogue code

1	32540-ZY3-800	HARNASS ASSY., METER (A)	(1)
2	37200-ZY3-801	SPEEDOMETER ASSY. (DIGITAL)	(1)
3	37250-ZY3-801	TACHOMETER ASSY. (DIGITAL)	(1)
4	90650-ZY1-003	CABLE, TIE	(1)
5	98200-31000	FUSE, BLADE (10A)	(2)

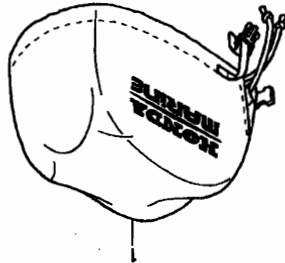
Service item F.R.T. NOT INFORMATION



		<p>1 88163-ZY6-U00 COVER, ENGINE (1) (1)</p>
--	--	----------------------------------------------------

Parts catalogue code	Serial No.	Description
----------------------	------------	-------------

<p>Service Item</p> <p>F.R.T.</p> <p>NOT INFORMATION</p>	<p>ZY53-Y0900</p>	<p>Reqd. QTY</p> <p>BF 150</p> <p>BF 135</p> <p>A4</p> <p>A4</p>
----------------------------------------------------------------	-------------------	------------------------------------------------------------------



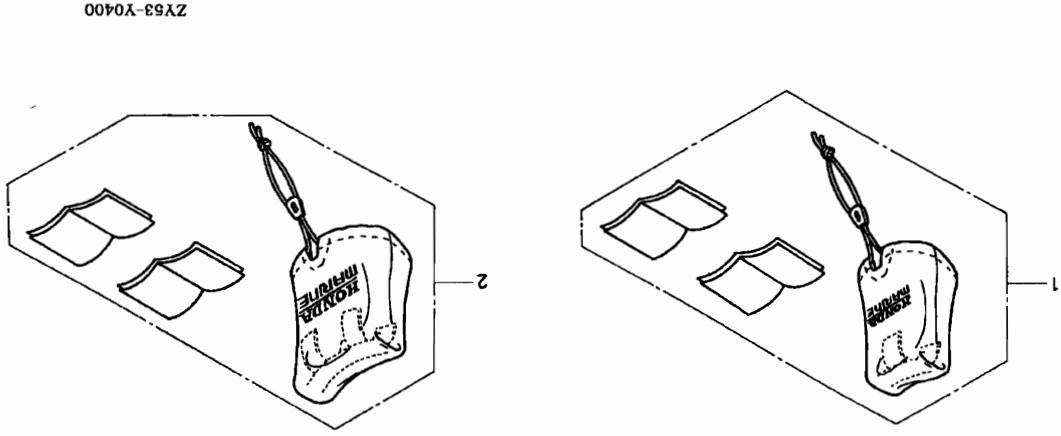
<p>H 6</p>	<p>ENGINE COVER</p> <p>FOP-3</p>
-------------------	------------------------------------------------



Service item

F.R.T.

NOT INFORMATION



Ref. No.	Part No.	Description	Reqd. QTY
	BF 135		BF
	A4 150		A4
	A4 A4		A4

Parts catalogue code

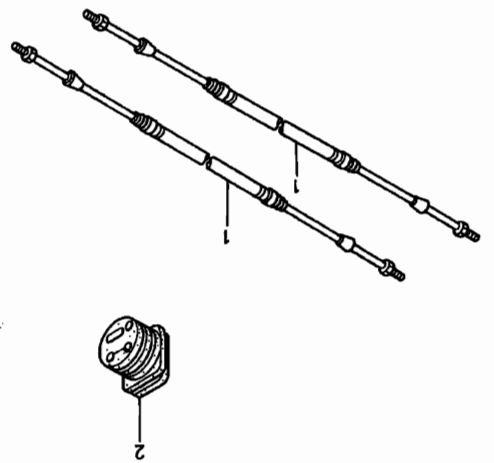
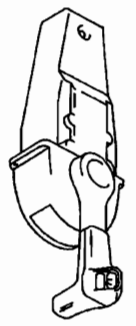
1	06881-ZW5-U01	COVER KIT, REMOTE CONTROL BOX (TOP MOUNT SINGLE)	(1)	(1)
2	06881-ZW5-U11	COVER KIT, REMOTE CONTROL BOX (TOP MOUNT DUAL)	(1)	(1)



FOP-5

CABLE(SINGLE)

H 8



ZY63-Y0600

Service Item F.R.T. NOT INFORMATION

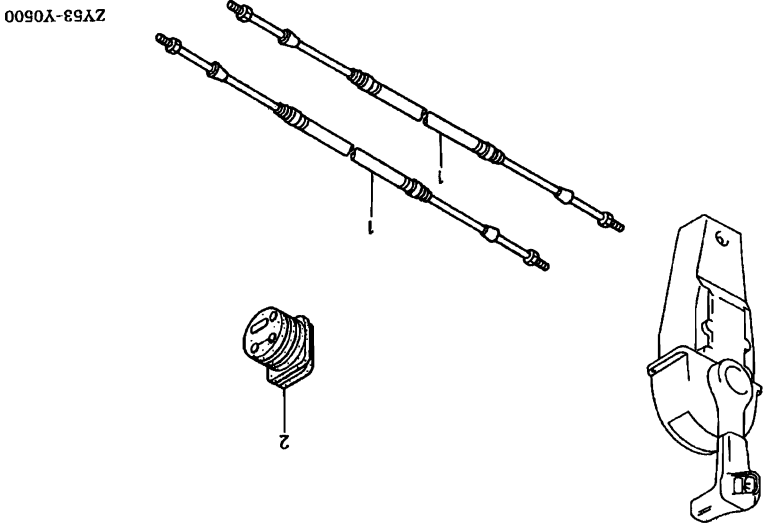
Ref. No.	Part No.	Description	Reqd. QTY	Serial No.	Parts catalogue code
			A4		
			BF		
			135		
			150		
			A4		

1	24911-ZW7-U01	CABLE ASSY., PUSH-PULL	(2)		
		(33C-5FT)	(2)		
		CABLE ASSY., PUSH-PULL	(2)		
		(33C-6FT)	(2)		
		CABLE ASSY., PUSH-PULL	(2)		
		(33C-7FT)	(2)		
		CABLE ASSY., PUSH-PULL	(2)		
		(33C-8FT)	(2)		
		CABLE ASSY., PUSH-PULL	(2)		
		(33C-9FT)	(2)		
		CABLE ASSY., PUSH-PULL	(2)		
		(33C-10FT)	(2)		
		CABLE ASSY., PUSH-PULL	(2)		
		(33C-11FT)	(2)		
		CABLE ASSY., PUSH-PULL	(2)		
		(33C-12FT)	(2)		
		CABLE ASSY., PUSH-PULL	(2)		
		(33C-13FT)	(2)		
		CABLE ASSY., PUSH-PULL	(2)		
		(33C-14FT)	(2)		
		CABLE ASSY., PUSH-PULL	(2)		
		(33C-15FT)	(2)		
		CABLE ASSY., PUSH-PULL	(2)		
		(33C-16FT)	(2)		
		CABLE ASSY., PUSH-PULL	(2)		
		(33C-17FT)	(2)		
		CABLE ASSY., PUSH-PULL	(2)		
		(33C-18FT)	(2)		

FOP-5

CABLE(SINGLE)

H 9



Parts catalogue code

Reqd. QTY

BF 135

BF 150

A4 A4

Serial No.

Part No.

Description

Ref. No.

(1) 24925-ZW7-U01 CABLE ASSY., PUSH-PULL (33C-19FT) (2) (2)

24926-ZW7-U01 CABLE ASSY., PUSH-PULL (33C-20FT) (2) (2)

24927-ZW7-U01 CABLE ASSY., PUSH-PULL (33C-21FT) (2) (2)

24928-ZW7-U01 CABLE ASSY., PUSH-PULL (33C-22FT) (2) (2)

24929-ZW7-U01 CABLE ASSY., PUSH-PULL (33C-23FT) (2) (2)

24930-ZW7-U01 CABLE ASSY., PUSH-PULL (33C-24FT) (2) (2)

24931-ZW7-U01 CABLE ASSY., PUSH-PULL (33C-25FT) (2) (2)

24932-ZW7-U01 CABLE ASSY., PUSH-PULL (33C-26FT) (2) (2)

24933-ZW7-U01 CABLE ASSY., PUSH-PULL (33C-27FT) (2) (2)

24934-ZW7-U01 CABLE ASSY., PUSH-PULL (33C-28FT) (2) (2)

24935-ZW7-U01 CABLE ASSY., PUSH-PULL (33C-29FT) (2) (2)

24936-ZW7-U01 CABLE ASSY., PUSH-PULL (33C-30FT) (2) (2)

24937-ZW7-U01 CABLE ASSY., PUSH-PULL (33C-31FT) (2) (2)

24938-ZW7-U01 CABLE ASSY., PUSH-PULL (33C-32FT) (2) (2)

240106-ZW7-U00 GROMMET, UNDER CASE (B) (1) (1)



FOP-5-1

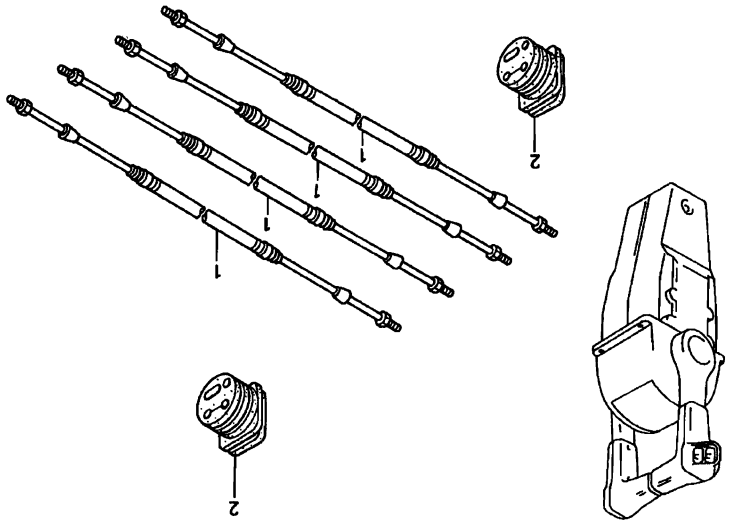
CABLE(DUAL)



Service Item F.R.T.

NOT INFORMATION

ZY53-Y0601

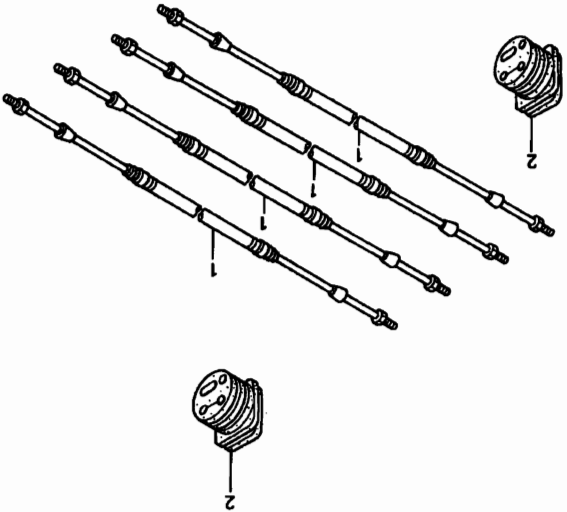
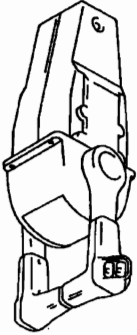


Rel. No.	Part No.	Description	Reqd. QTY	BF	BF	BF	Serial No.	Parts catalogue code
1	24911-ZW7-U01	CABLE ASSY., PUSH-PULL	A4	A4	A4			
	24912-ZW7-U01	CABLE ASSY., PUSH-PULL	(4)	(4)	(4)			
	24913-ZW7-U01	CABLE ASSY., PUSH-PULL	(4)	(4)	(4)			
	24914-ZW7-U01	CABLE ASSY., PUSH-PULL	(4)	(4)	(4)			
	24915-ZW7-U01	CABLE ASSY., PUSH-PULL	(4)	(4)	(4)			
	24916-ZW7-U01	CABLE ASSY., PUSH-PULL	(4)	(4)	(4)			
	24917-ZW7-U01	CABLE ASSY., PUSH-PULL	(4)	(4)	(4)			
	24918-ZW7-U01	CABLE ASSY., PUSH-PULL	(4)	(4)	(4)			
	24919-ZW7-U01	CABLE ASSY., PUSH-PULL	(4)	(4)	(4)			
	24920-ZW7-U01	CABLE ASSY., PUSH-PULL	(4)	(4)	(4)			
	24921-ZW7-U01	CABLE ASSY., PUSH-PULL	(4)	(4)	(4)			
	24922-ZW7-U01	CABLE ASSY., PUSH-PULL	(4)	(4)	(4)			
	24923-ZW7-U01	CABLE ASSY., PUSH-PULL	(4)	(4)	(4)			
	24924-ZW7-U01	CABLE ASSY., PUSH-PULL	(4)	(4)	(4)			

POP-5-1

CABLE(DUAL)

H11



ZY53-Y0501

Ref. No.	Part No.	Description	Reqd. QTY	Serial No.	Parts catalogue code
			A4		
			BF		
			135		
			150		

(1) 24925-ZW7-U01 CABLE ASSY., PUSH-PULL (33C-19FT) (4) (4)

24926-ZW7-U01 CABLE ASSY., PUSH-PULL (33C-20FT) (4) (4)

24927-ZW7-U01 CABLE ASSY., PUSH-PULL (33C-21FT) (4) (4)

24928-ZW7-U01 CABLE ASSY., PUSH-PULL (33C-22FT) (4) (4)

24929-ZW7-U01 CABLE ASSY., PUSH-PULL (33C-23FT) (4) (4)

24930-ZW7-U01 CABLE ASSY., PUSH-PULL (33C-24FT) (4) (4)

24931-ZW7-U01 CABLE ASSY., PUSH-PULL (33C-25FT) (4) (4)

24932-ZW7-U01 CABLE ASSY., PUSH-PULL (33C-26FT) (4) (4)

24933-ZW7-U01 CABLE ASSY., PUSH-PULL (33C-27FT) (4) (4)

24934-ZW7-U01 CABLE ASSY., PUSH-PULL (33C-28FT) (4) (4)

24935-ZW7-U01 CABLE ASSY., PUSH-PULL (33C-29FT) (4) (4)

24936-ZW7-U01 CABLE ASSY., PUSH-PULL (33C-30FT) (4) (4)

24937-ZW7-U01 CABLE ASSY., PUSH-PULL (33C-31FT) (4) (4)

24938-ZW7-U01 CABLE ASSY., PUSH-PULL (33C-32FT) (4) (4)

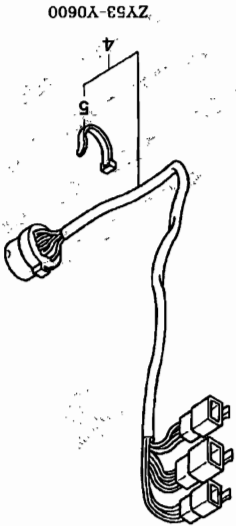
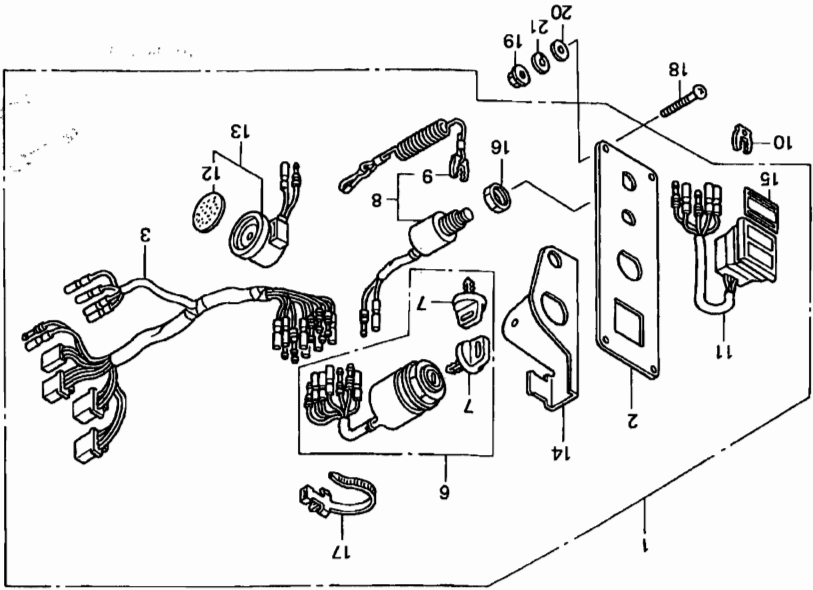
2 40106-ZW7-U00 GROMMET, UNDER CASE (B) (2) (2)



FOP-6

CONTROL PANEL(1)

H12



FR. →

Ref. No.	Part No.	Description	Reqd. QTY
1	3234D-ZM5-023	PANEL ASSY., CONTROL	(1)
2	32346-ZM1-V03	PANEL, CONTROL	(1)
3	32545-ZM1-V03	HARNESS ASSY., SWITCH PANEL	(1)
4	32580-ZY3-000	CABLE ASSY., SWITCH PANEL	(1)
5	32901-952-770	TIE, CABLE	(3)
6	35100-ZV5-003	SWITCH ASSY., COMBINATION	(1)
7	35110-ZV5-003	KEY ASSY., COMBINATION SWITCH	(2)
8	36180-ZV5-013	SWITCH ASSY., EMERGENCY STOP	(1)
9	36182-ZV4-650	CORD COMP., EMERGENCY	(1)
10	36187-ZV4-651	CLIP, EMERGENCY LOCK	(1)
11	37210-ZM1-702	LAMP ASSY., INDICATION	(1)
12	38403-341-672	PLATE, WINKER BUZZER	(1)
13	38410-ZV5-003	BUZZER COMP., WARNING	(1)
14	38414-ZM1-V02	BRACKET, BUZZER	(1)
15	87120-ZM5-000	MARK, SWITCH PANEL	(1)
16	90302-921-000	NUT, HEX, 16MM	(1)
17	90649-SC2-003	BAND, WIRE HARNESS (NATURAL)	(1)
18	93500-05040-1B	SCREW, PAN, 5X40 (150MM)	(1)
19	94050-05020	NUT, FLANGE, 5MM	(4)
20	94103-05200	WASHER, PLAIN, 5MM	(4)
21	94111-05400	WASHER, SPRING, 5MM	(4)

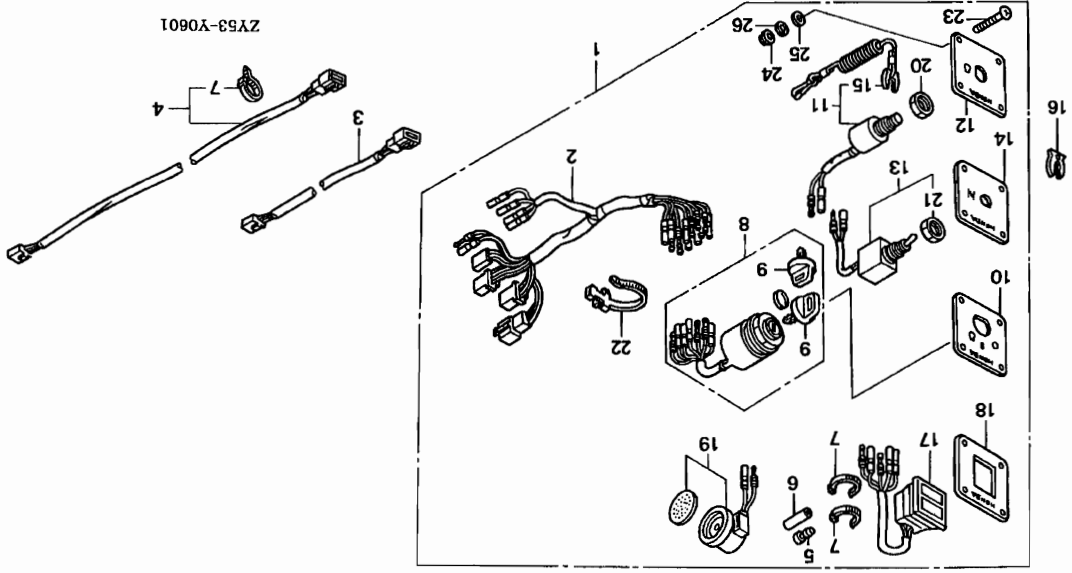
Parts catalogue code

Serial No.

Reqd. QTY
BF 135
BF 150
A4

Service item F.R.T.

NOT INFORMATION



Ref. No.	Part No.	Description	Serial No.	Parts catalogue code
----------	----------	-------------	------------	----------------------

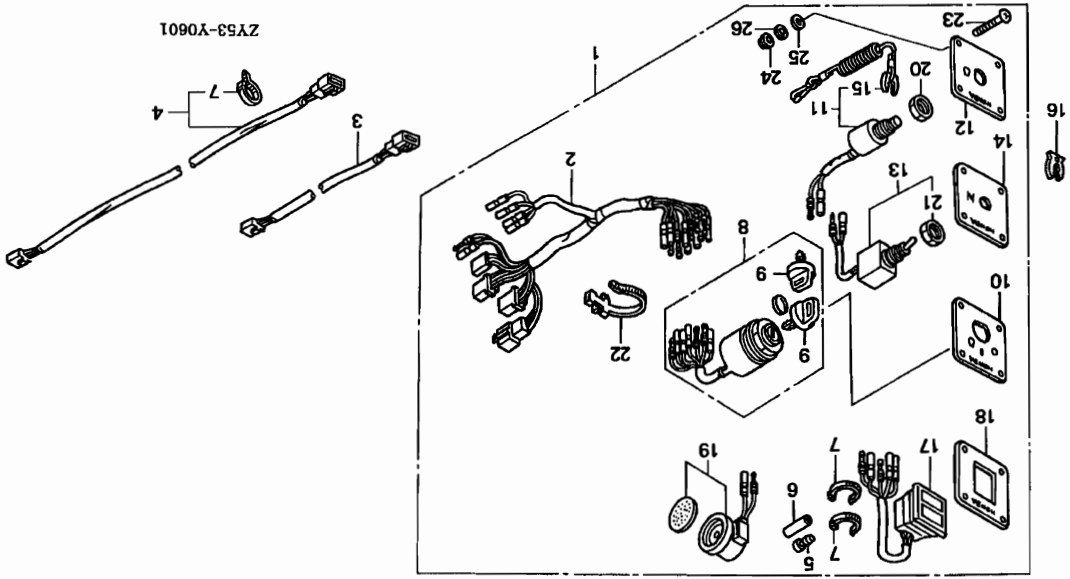
Reqd. QTY	BF	BF	A4	A4
(1)	135	150	A4	A4

1	06323-ZW5-U11	PANEL KIT, CONTROL (A)	(1)	(1)
2	32545-ZW1-V03	HARNESS ASSY, SWITCH PANEL ..	(1)	(1)
3	32570-ZW5-U00	CABLE ASSY, EXTENSION (3P 7FT)	(1)	(1)
4	32570-ZW5-U10	CABLE ASSY, EXTENSION (3P 30FT)	(1)	(1)
5	32823-ZV5-003	PLUG, INNER CONNECTOR	(1)	(1)
6	32824-ZV5-003	PLUG, OUTER CONNECTOR	(1)	(1)
7	32901-952-770	TIE, CABLE	(6)	(6)
8	35100-ZV5-003	SWITCH ASSY, COMBINATION	(1)	(1)
9	35110-ZV5-003	KEY ASSY, COMBINATION SWITCH ..	(2)	(2)
10	35118-ZW5-U01	PANEL, SWITCH	(1)	(1)
11	35180-ZV7-013	SWITCH ASSY, EMERGENCY STOP ..	(1)	(1)
12	35184-ZW5-U01	PANEL, EMERGENCY STOP SWITCH ..	(1)	(1)
13	35630-ZW5-U11	SWITCH ASSY, SOLENOID	(1)	(1)
14	35634-ZW5-U11	PANEL, SOLENOID	(1)	(1)
15	36182-ZV4-650	CORD COMP, EMERGENCY	(1)	(1)
16	36187-ZV4-651	CLIP, EMERGENCY LOCK	(1)	(1)
17	37210-ZW5-U01	LAMP ASSY, INDICATOR	(1)	(1)
18	37214-ZW5-U01	PANEL, INDICATOR	(1)	(1)
19	38410-ZW5-U01	BUZZER COMP, WARNING	(1)	(1)
20	90302-921-000	NUT, HEX, 16MM	(1)	(1)
21	90305-ZW1-V01	NUT, HEX, 12MM	(1)	(1)
22	90649-SC2-003	BAND, WIRE HARNESS (NATURAL) ..	(1)	(1)

FOP-6-1

CONTROL PANEL(2)

H14



Parts catalogue code

Ref. No.	Part No.	Description	Reqd. QTY	Serial No.
23	93500-05040-18	SCREW, PAN, 5X4.0	(16)	A4
24	94050-05020	NUT, FLANGE, 5MM	(16)	BF
25	94103-05200	WASHER, PLAIN, 5MM	(16)	135
26	94111-05400	WASHER, SPRING, 5MM	(16)	A4

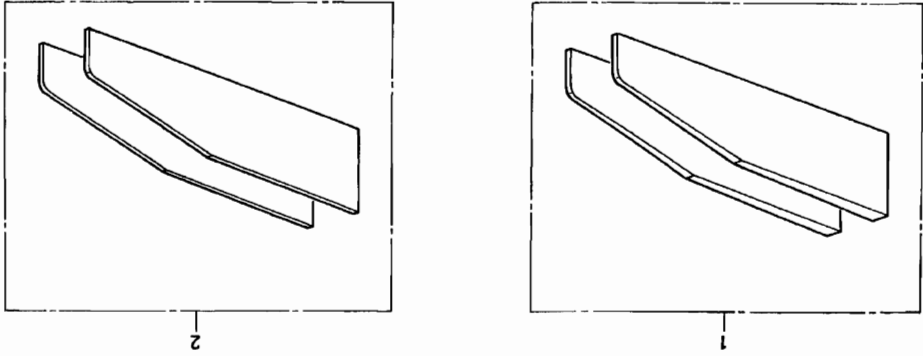
FOP-7

TRIM ADJUST PLATE SET



Service item F.R.T.

NOT INFORMATION



ZY53-Y0700

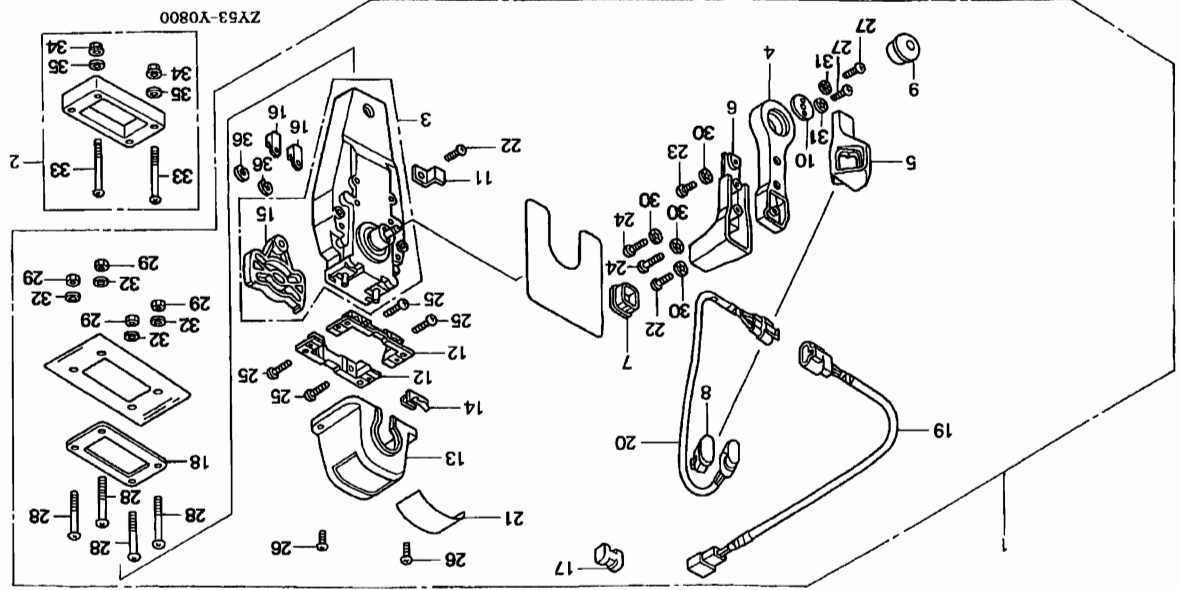
Ref. No.	Part No.	Description	Reqd. QTY	BF	BF	135	150	A4	A4	Serial No.	Parts catalogue code
1	50388-ZY3-U00	PLATE SET, TRIM ADJUST									
2	50388-ZY3-U10	PLATE SET, TRANSONOM (5.5MM FLAT)	(1)	(1)							
		(15MM TAPER)	(1)	(1)							



FOP-8 REMOTE CONTROL(TOP MOUNT SINGLE TYPE)(RIGHT) H16

Service Item F.R.T.

BRACKET, REMOTE CONTROL 0.1
 HOUSING COMP., REMOTE CONTROL BOX
 .SPACER KIT, REMOTE CONTROL BOX
 .SUB HARNESS ASSY., POWER TRIM-TILT 0.2
 HOUSING ASSY., L. INNER 0.3

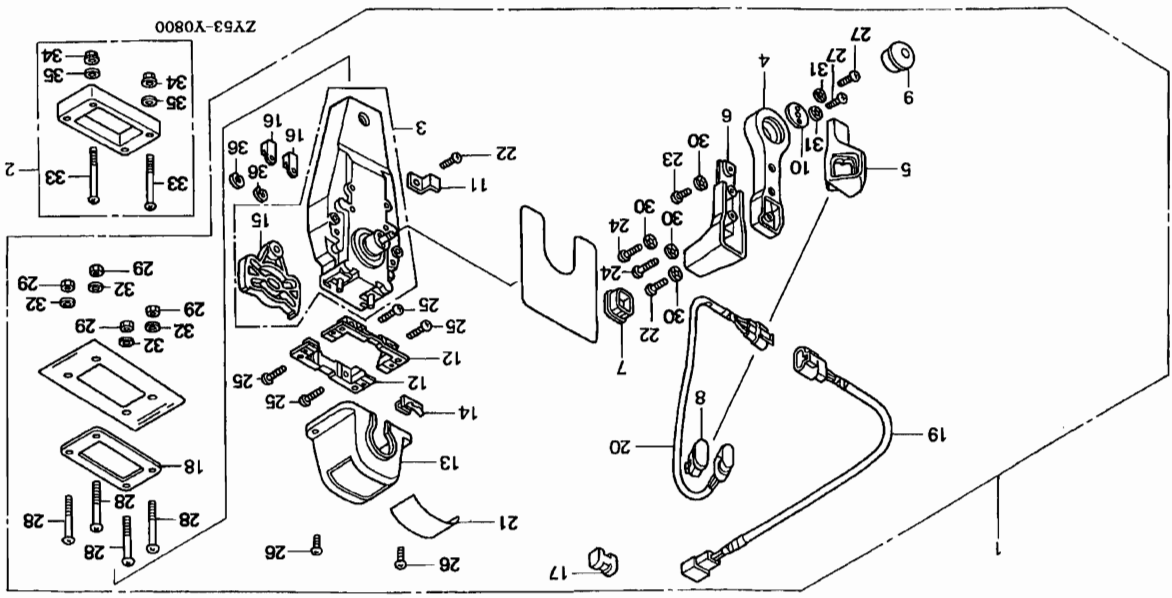


Ref. No.	Part No.	Description	Reqd. QTY	Serial No.	Parts catalogue code
			BF	A4	
			BF	135	
			BF	150	
			A4	A4	

1	06240-ZW5-U00	BOX KIT, REMOTE CONTROL (TOP MOUNT SINGLE)(R.)	(1)	(1)	
2	06241-ZW5-U00	SPACER KIT, REMOTE CONTROL BOX (TOP MOUNT SINGLE)	(1)	(1)	
3	24810-ZW5-U01	HOUSING ASSY., L. INNER (TOP MOUNT)	(1)	(1)	
4	24811-ZW5-U01	HANDLE, REMOTE CONTROL (TOP MOUNT)	(1)	(1)	
5	24812-ZW5-U01	COVER, L. GRIP	(1)	(1)	
6	24813-ZW5-U01	GRIP, REMOTE CONTROL HANDLE	(1)	(1)	
7	24814-ZW5-U01	CAP, GRIP	(1)	(1)	
8	24815-ZW5-U01	CAP, SWITCH	(1)	(1)	
9	24816-ZW5-U01	BUTTON, THROTTLE	(1)	(1)	
10	24817-ZW5-U01	PLATE, HANDLE	(1)	(1)	
11	24818-ZW5-U01	PLATE, CABLE CLAMP	(1)	(1)	
12	24819-ZW5-U01	BRACKET, REMOTE CONTROL HOUSING	(2)	(2)	
13	24820-ZW5-U01	HOUSING COMP., REMOTE CONTROL BOX	(1)	(1)	
14	24825-ZW5-U01	HOUSING, LEAD	(1)	(1)	
15	24826-ZW5-U01	PLATE, DWELL	(1)	(1)	
16	24831-ZW5-U01	TERMINAL, CABLE	(2)	(2)	
17	24832-ZW5-U01	SPACER, CABLE CLAMP	(1)	(1)	
18	24834-ZW5-U01	PACKING, SINGLE	(1)	(1)	
19	32530-ZW7-U00	SUB HARNESS ASSY., POWER TRIM-TILT (A)	(1)	(1)	

FOP-8

REMOTE CONTROL(TOP MOUNT SINGLE TYPE)(RIGHT)



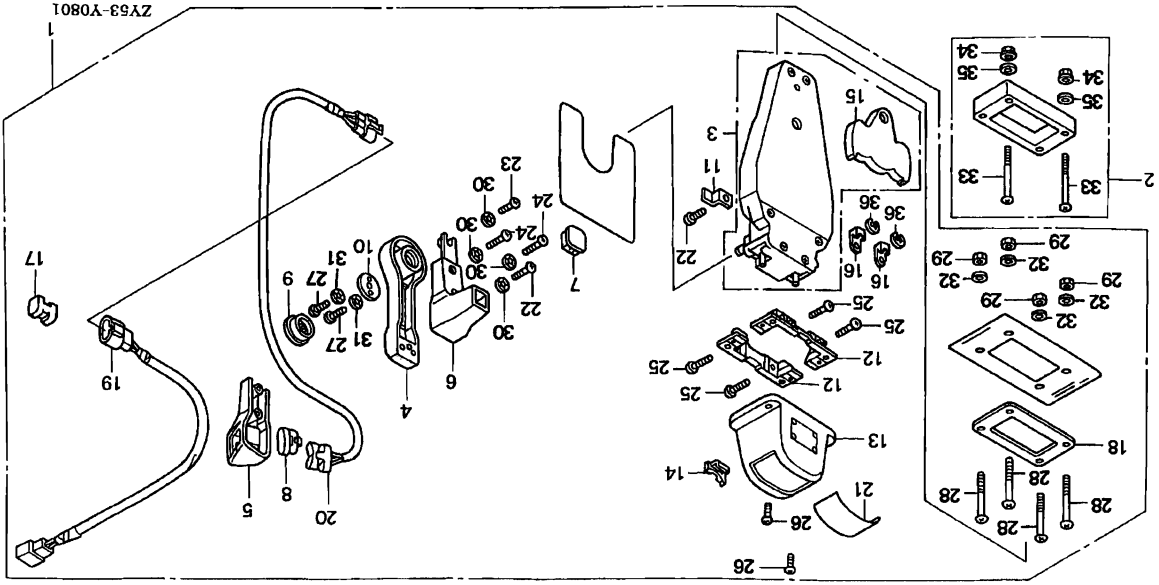
Parts catalogue code

Ref. No.	Part No.	Description	Reqd. QTY	BF	BF	Serial No.
21	87703-ZW5-U01	MARK, REMOTE CONTROL (SINGLE)	(1)	(1)		
22	90101-ZW5-U00	SCREW, PAN, 5X16	(2)	(2)		
23	90102-ZW5-U00	SCREW, PAN, 5X10	(1)	(1)		
24	90103-ZW5-U01	SCREW, PAN, 5X20	(2)	(2)		
25	90104-ZW5-U00	SCREW, PAN, 5X18	(4)	(4)		
26	90105-ZW5-U01	SCREW, PAN, 4X10	(2)	(2)		
27	90106-ZW5-U00	SCREW, PAN, 6X18	(2)	(2)		
28	90107-ZW5-U00	SCREW, PAN, 5X40	(4)	(4)		
29	90301-ZW5-U00	NUT, HEX., 5MM	(4)	(4)		
30	90501-ZW5-U00	WASHER, LOCK, 5MM	(4)	(4)		
31	90502-ZW5-U00	WASHER, LOCK, 6MM	(2)	(2)		
32	90503-ZW5-U00	WASHER, PLAIN, 5MM	(4)	(4)		
33	93500-05065-4J	SCREW, PAN, 5X65	(4)	(4)		
34	94050-05020	NUT, FLANGE, 5MM	(4)	(4)		
35	94103-05200	WASHER, PLAIN, 5MM	(4)	(4)		
36	94540-06029	E-RING, 6MM	(2)	(2)		
20	35370-ZW5-U02	SWITCH ASSY., POWER TRIM-TILT	(1)	(1)	(A)	

FOP-8-1

REMOTE CONTROL(TOP MOUNT SINGLE TYPE)(LEFT)

12

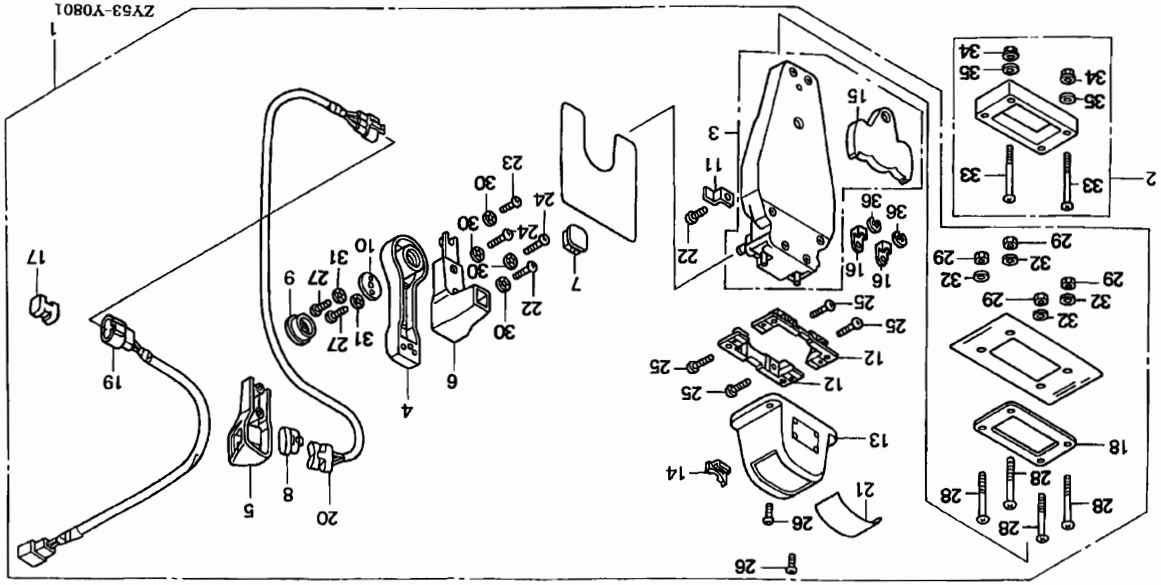


Service Item F.R.T.

BRACKET, REMOTE CONTROL	0.1
HOUSING	0.1
HOUSING COMP., REMOTE CONTROL BOX	0.1
SPACER KIT, REMOTE CONTROL BOX	0.1
.SUB HARNESS ASSY., POWER TRIM-TILT	0.2
SWITCH ASSY., POWER TRIM-TILT	0.2
HOUSING ASSY., R. INNER	0.3

Ref. No.	Part No.	Description	Reqd. QTY	Serial No.	Parts catalogue code
			BF		
			135		
			150		
			A4		

1	06240-ZW5-U10	BOX KIT, REMOTE CONTROL (TOP MOUNT SINGLE)(L.)	(1)	(1)	
2	06241-ZW5-U00	SPACER KIT, REMOTE CONTROL BOX (TOP MOUNT SINGLE)	(1)	(1)	
3	24810-ZW5-U11	HOUSING ASSY., R. INNER (TOP MOUNT)	(1)	(1)	
4	24811-ZW5-U01	HANDLE, REMOTE CONTROL (TOP MOUNT)	(1)	(1)	
5	24812-ZW5-U11	COVER, R. GRIP	(1)	(1)	
6	24813-ZW5-U01	GRIP, REMOTE CONTROL HANDLE	(1)	(1)	
7	24814-ZW5-U01	CAP, GRIP	(1)	(1)	
8	24815-ZW5-U01	CAP, SWITCH	(1)	(1)	
9	24816-ZW5-U01	BUTTON, THROTTLE	(1)	(1)	
10	24817-ZW5-U01	PLATE, HANDLE	(1)	(1)	
11	24818-ZW5-U01	PLATE, CABLE CLAMP	(1)	(1)	
12	24819-ZW5-U01	BRACKET, REMOTE CONTROL	(2)	(2)	
13	24820-ZW5-U01	HOUSING COMP., REMOTE CONTROL BOX	(1)	(1)	
14	24825-ZW5-U01	HOUSING, LEAD	(1)	(1)	
15	24826-ZW5-U01	PLATE, DWELL	(1)	(1)	
16	24831-ZW5-U01	TERMINAL, CABLE	(2)	(2)	
17	24832-ZW5-U01	SPACER, CABLE CLAMP	(1)	(1)	
18	24834-ZW5-U01	PACKING, SINGLE	(1)	(1)	
19	32530-ZW7-U10	SUB HARNESS ASSY., POWER TRIM-TILT (B)	(1)	(1)	



Parts catalogue code

Ref. No.	Part No.	Description	Serial No.	Reqd. QTY
20	35370-ZW5-U12	SWITCH ASSY., POWER TRIM-TILT		(1) (1)
				(B)
21	87703-ZW5-U01	MARK, REMOTE CONTROL (SINGLE)		(1) (1)
22	90101-ZW5-U00	SCREW, PAN, 5X16		(2) (2)
23	90102-ZW5-U00	SCREW, PAN, 5X10		(1) (1)
24	90103-ZW5-U01	SCREW, PAN, 5X20		(2) (2)
25	90104-ZW5-U00	SCREW, PAN, 5X18		(4) (4)
26	90105-ZW5-U01	SCREW, PAN, 4X10		(2) (2)
27	90106-ZW5-U00	SCREW, PAN, 6X18		(2) (2)
28	90107-ZW5-U00	SCREW, PAN, 5X40		(4) (4)
29	90301-ZW5-U00	NUT, HEX, 5MM		(4) (4)
30	90501-ZW5-U00	WASHER, LOCK, 5MM		(4) (4)
31	90502-ZW5-U00	WASHER, LOCK, 6MM		(2) (2)
32	90503-ZW5-U00	WASHER, PLAIN, 5MM		(4) (4)
33	93500-05065-4J	SCREW, PAN, 5X65		(4) (4)
34	94050-05020	NUT, FLANGE, 5MM		(4) (4)
35	94103-05200	WASHER, PLAIN, 5MM		(4) (4)
36	94540-06029	E-RING, 6MM		(2) (2)

20	35370-ZW5-U12	SWITCH ASSY., POWER TRIM-TILT		(1) (1)
				(B)
21	87703-ZW5-U01	MARK, REMOTE CONTROL (SINGLE)		(1) (1)
22	90101-ZW5-U00	SCREW, PAN, 5X16		(2) (2)
23	90102-ZW5-U00	SCREW, PAN, 5X10		(1) (1)
24	90103-ZW5-U01	SCREW, PAN, 5X20		(2) (2)
25	90104-ZW5-U00	SCREW, PAN, 5X18		(4) (4)
26	90105-ZW5-U01	SCREW, PAN, 4X10		(2) (2)
27	90106-ZW5-U00	SCREW, PAN, 6X18		(2) (2)
28	90107-ZW5-U00	SCREW, PAN, 5X40		(4) (4)
29	90301-ZW5-U00	NUT, HEX, 5MM		(4) (4)
30	90501-ZW5-U00	WASHER, LOCK, 5MM		(4) (4)
31	90502-ZW5-U00	WASHER, LOCK, 6MM		(2) (2)
32	90503-ZW5-U00	WASHER, PLAIN, 5MM		(4) (4)
33	93500-05065-4J	SCREW, PAN, 5X65		(4) (4)
34	94050-05020	NUT, FLANGE, 5MM		(4) (4)
35	94103-05200	WASHER, PLAIN, 5MM		(4) (4)
36	94540-06029	E-RING, 6MM		(2) (2)

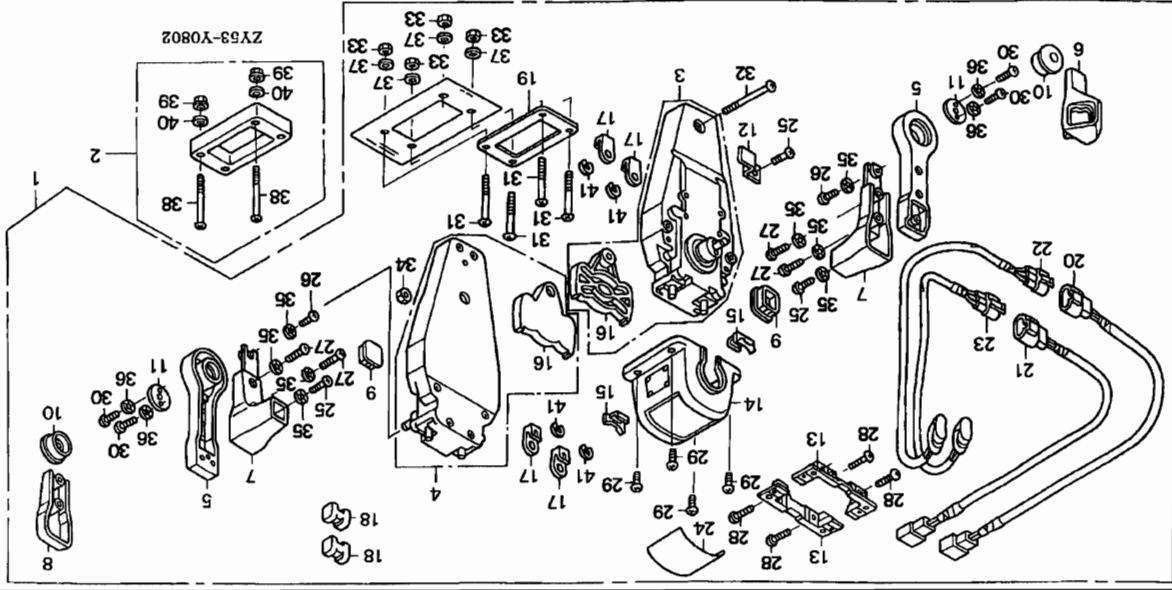
14

REMOTE CONTROL(TOP MOUNT DUAL TYPE)(RIGHT)

FOP-8-2

Service item
F.R.T.

BRACKET, REMOTE CONTROL 0.1
HOUSING COMP., DUAL REMOTE
CONTROL BOX
SPACER KIT, REMOTE CONTROL BOX
SUB HARNESS ASSY., POWER
TRIM-TILT
SWITCH ASSY., POWER TRIM-TILT 0.2
HOUSING ASSY., L. INNER
HOUSING ASSY., R. INNER 0.4



Parts catalogue code

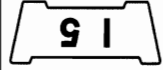
Ref. No.	Part No.	Description	Reqd. QTY	Serial No.
			BF	A4
			BF	135
			BF	150
			A4	A4

1	06240-ZW5-U20	BOX KIT, REMOTE CONTROL (TOP MOUNT DUAL)(R.)	(1)	(1)
2	06241-ZW5-U10	SPACER KIT, REMOTE CONTROL BOX (TOP MOUNT DUAL)	(1)	(1)
3	24810-ZW5-U01	HOUSING ASSY., L. INNER (TOP MOUNT)	(1)	(1)
4	24810-ZW5-U11	HOUSING ASSY., R. INNER (TOP MOUNT)	(1)	(1)
5	24811-ZW5-U01	HANDLE, REMOTE CONTROL	(2)	(2)
6	24812-ZW5-U01	COVER, L. GRIP	(1)	(1)
7	24813-ZW5-U01	GRIP, REMOTE CONTROL HANDLE	(2)	(2)
8	24813-ZW5-U21	COVER, DUAL GRIP	(1)	(1)
9	24814-ZW5-U01	CAP, GRIP	(2)	(2)
10	24816-ZW5-U01	BUTTON, THROTTLE	(2)	(2)
11	24817-ZW5-U01	PLATE, HANDLE	(2)	(2)
12	24818-ZW5-U01	PLATE, CABLE CLAMP	(1)	(1)
13	24819-ZW5-U01	BRACKET, REMOTE CONTROL HOUSING	(2)	(2)
14	24820-ZW5-U21	HOUSING COMP., DUAL REMOTE CONTROL BOX	(1)	(1)
15	24825-ZW5-U01	HOUSING, LEAD	(2)	(2)
16	24826-ZW5-U01	PLATE, DWELL	(2)	(2)
17	24831-ZW5-U01	TERMINAL, CABLE	(4)	(4)
18	24832-ZW5-U01	SPACER, CABLE CLAMP	(2)	(2)
19	24834-ZW5-U21	PACKING, DUAL	(1)	(1)

3

FOP-8-2

REMOTE CONTROL(TOP MOUNT DUAL TYPE)(RIGHT)



Ref. No.	Part No.	Description	Serial No.	Parts catalogue code
----------	----------	-------------	------------	----------------------

Reqd. QTY
BF
BF
135
150
A4
A4

20 32530-ZM7-U00 SUB HARNESS ASSY., POWER TRIM-TILT (A) (1) (1)

21 32530-ZM7-U10 SUB HARNESS ASSY., POWER TRIM-TILT (B) (1) (1)

22 35370-ZM5-U02 SWITCH ASSY., POWER TRIM-TILT (A) (1) (1)

23 35370-ZM5-U12 SWITCH ASSY., POWER TRIM-TILT (B) (1) (1)

24 87703-ZM5-U21 MARK, REMOTE CONTROL (DUAL) (1) (1)

25 90101-ZM5-U00 SCREW, PAN, 5X16 (3) (3)

26 90102-ZM5-U00 SCREW, PAN, 5X10 (2) (2)

27 90103-ZM5-U01 SCREW, PAN, 5X20 (4) (4)

28 90104-ZM5-U00 SCREW, PAN, 5X18 (4) (4)

29 90105-ZM5-U01 SCREW, PAN, 4X10 (4) (4)

30 90106-ZM5-U00 SCREW, PAN, 6X18 (4) (4)

31 90107-ZM5-U00 SCREW, PAN, 5X40 (4) (4)

32 90108-ZM5-U00 SCREW, PAN, 5X55 (1) (1)

33 90301-ZM5-U00 NUT, HEX., 5MM (4) (4)

34 90302-ZM5-U21 NUT, HEX., 5MM (1) (1)

35 90501-ZM5-U00 WASHER, LOCK, 5MM (8) (8)

36 90502-ZM5-U00 WASHER, LOCK, 6MM (4) (4)

37 90503-ZM5-U00 WASHER, PLAIN, 5MM (4) (4)

38 93500-05065-4J SCREW, PAN, 5X65 (4) (4)

39 94050-05020 NUT, FLANGE, 5MM (4) (4)

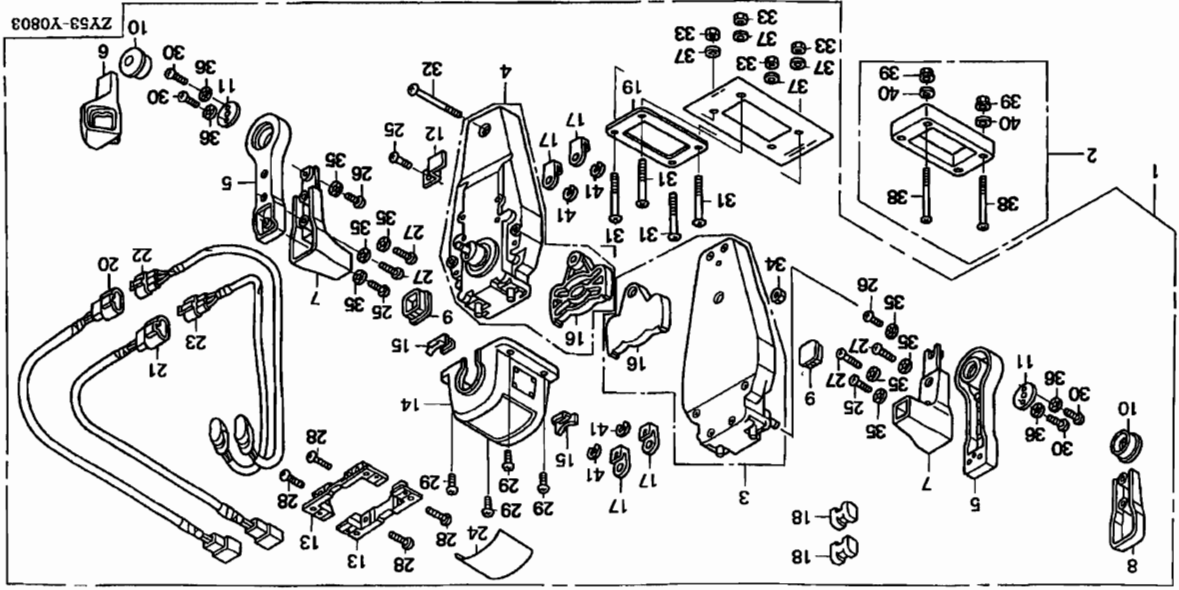
40 94103-05200 WASHER, PLAIN, 5MM (4) (4)

41 94540-06029 E-RING, 6MM (4) (4)

FOP-8-3

REMOTE CONTROL(TOP MOUNT DUAL TYPE)(LEFT)

16



Service item
F.R.T.

HOUSING, REMOTE CONTROL 0.1
HOUSING COMP., DUAL REMOTE CONTROL BOX
SPACER KIT, REMOTE CONTROL BOX
SUB HARNESS ASSY., POWER TRIM-TILT
SWITCH ASSY., POWER TRIM-TILT 0.2
HOUSING ASSY., L. INNER 0.2
HOUSING ASSY., R. INNER 0.4

Ref. No.	Part No.	Description	Reqd. QTY	Serial No.	Parts catalogue code
1	06240-ZW5-U30	BOX KIT, REMOTE CONTROL (TOP MOUNT DUAL)(L.)	(1)	A4	
2	06241-ZW5-U10	SPACER KIT, REMOTE CONTROL BOX (TOP MOUNT DUAL)	(1)	A4	
3	24810-ZW5-U01	HOUSING ASSY., L. INNER (TOP MOUNT)	(1)		
4	24810-ZW5-U11	HOUSING ASSY., R. INNER (TOP MOUNT)	(1)		
5	24811-ZW5-U01	HANDLE, REMOTE CONTROL	(2)		
6	24812-ZW5-U01	COVER, L. GRIP	(1)		
7	24813-ZW5-U01	GRIP, REMOTE CONTROL HANDLE	(2)		
8	24813-ZW5-U21	COVER, DUAL GRIP	(1)		
9	24814-ZW5-U01	CAP, GRIP	(2)		
10	24816-ZW5-U01	BUTTON, THROTTLE	(2)		
11	24817-ZW5-U01	PLATE, HANDLE	(2)		
12	24818-ZW5-U01	PLATE, CABLE CLAMP	(1)		
13	24819-ZW5-U01	BRACKET, REMOTE CONTROL HOUSING	(2)		
14	24820-ZW5-U21	HOUSING COMP., DUAL REMOTE CONTROL	(2)		
15	24825-ZW5-U01	HOUSING, LEAD CONTROL BOX	(1)		
16	24826-ZW5-U01	PLATE, DWELL	(2)		
17	24831-ZW5-U01	TERMINAL, CABLE	(4)		
18	24832-ZW5-U01	SPACER, CABLE CLAMP	(2)		
19	24834-ZW5-U21	PACKING, DUAL	(1)		

FOP-8-3

REMOTE CONTROL(TOP MOUNT DUAL TYPE)(LEFT)

17

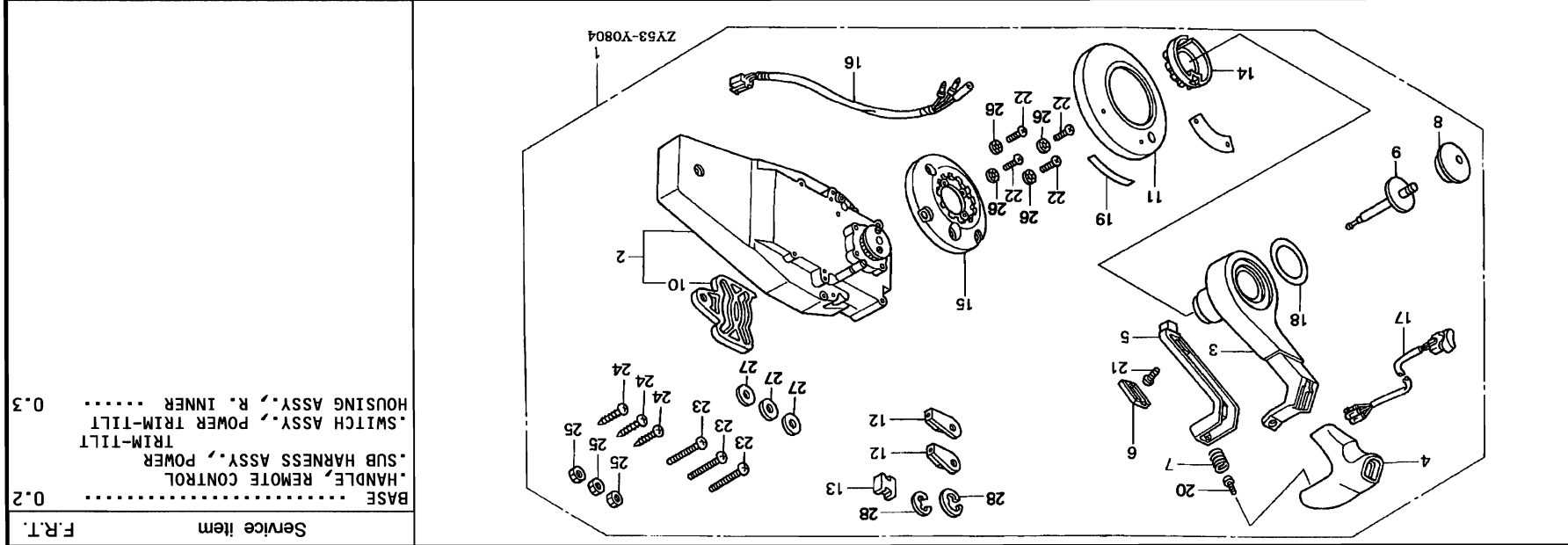
Parts catalogue code

Ref. No.	Part No.	Description	Serial No.	Reqd. QTY
			BF 135	BF 150
			A4	A4

20	32530-ZW7-U00	SUB HARNESS ASSY., POWER TRIM-TILT (A)	(1)	(1)
21	32530-ZW7-U10	SUB HARNESS ASSY., POWER TRIM-TILT (B)	(1)	(1)
22	35370-ZW5-U02	SWITCH ASSY., POWER TRIM-TILT (A)	(1)	(1)
23	35370-ZW5-U12	SWITCH ASSY., POWER TRIM-TILT (B)	(1)	(1)
24	87703-ZW5-U21	MARK, REMOTE CONTROL (DUAL)	(1)	(1)
25	90101-ZW5-U00	SCREW, PAN, 5X16	(3)	(3)
26	90102-ZW5-U00	SCREW, PAN, 5X10	(2)	(2)
27	90103-ZW5-U01	SCREW, PAN, 5X20	(4)	(4)
28	90104-ZW5-U00	SCREW, PAN, 5X18	(4)	(4)
29	90105-ZW5-U01	SCREW, PAN, 4X10	(4)	(4)
30	90106-ZW5-U00	SCREW, PAN, 6X18	(4)	(4)
31	90107-ZW5-U00	SCREW, PAN, 5X40	(4)	(4)
32	90108-ZW5-U00	SCREW, PAN, 5X55	(1)	(1)
33	90301-ZW5-U00	NUT, HEX., 5MM	(4)	(4)
34	90302-ZW5-U21	NUT, HEX., 5MM	(1)	(1)
35	90501-ZW5-U00	WASHER, LOCK, 5MM	(8)	(8)
36	90502-ZW5-U00	WASHER, LOCK, 6MM	(4)	(4)
37	90503-ZW5-U00	WASHER, PLAIN, 5MM	(4)	(4)
38	93500-05065-41	SCREW, PAN, 5X65	(4)	(4)
39	94050-05020	NUT, FLANGE, 5MM	(4)	(4)
40	94103-05200	WASHER, PLAIN, 5MM	(4)	(4)
41	94540-06029	E-RING, 6MM	(4)	(4)

3

FOP-8-4 REMOTE CONTROL(FLUSH MOUNT TYPE)(RIGHT) **18**



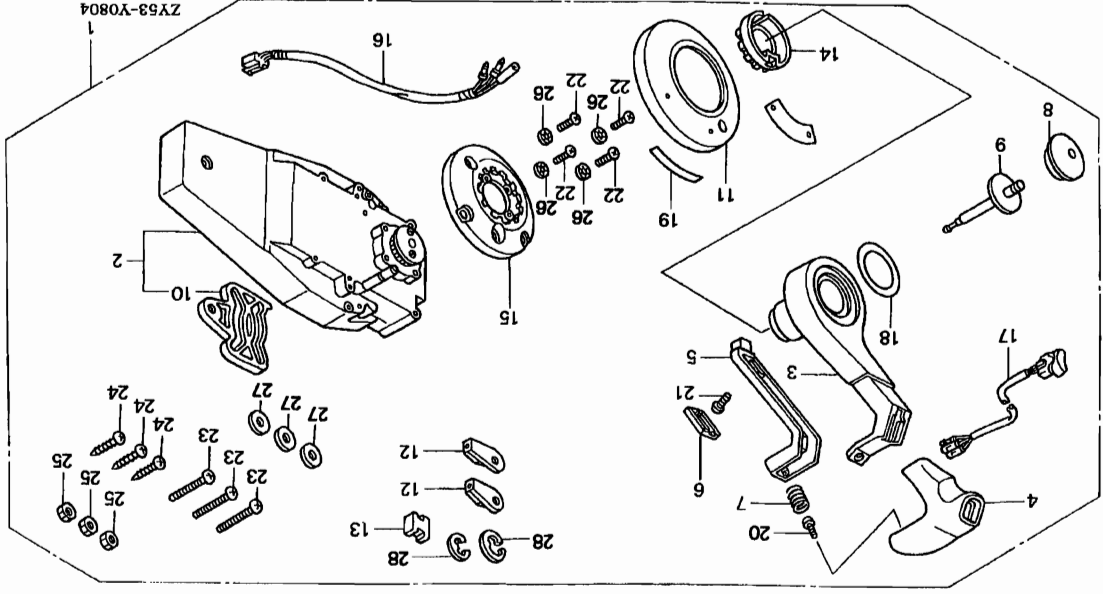
Ref. No.	Part No.	Description	Reqd. QTY	Serial No.	Parts catalogue code
1	06240-ZW7-U00	BOX KIT, REMOTE CONTROL (FLUSH MOUNT)(R.)	(1)	A4	
2	24810-ZW7-U01	HOUSING ASSY., R. INNER	(1)	BF	
3	24811-ZW7-U01	HANDLE, REMOTE CONTROL (FLUSH MOUNT)	(1)	135	
4	24812-ZW7-U01	COVER, GRIP	(1)	A4	
5	24813-ZW7-U01	ARM, NEUTRAL LOCK	(1)		
6	24814-ZW7-U01	COVER, LOCK ARM	(1)		
7	24815-ZW7-U01	SPRING, NEUTRAL LOCK ARM	(1)		
8	24816-ZW5-U01	BUTTON, THROTTLE	(1)		
9	24817-ZW7-U01	SHAFT, THROTTLE BUTTON	(1)		
10	24826-ZW5-U01	PLATE, DWELL	(1)		
11	24830-ZW7-U01	COVER ASSY.	(1)		
12	24831-ZW5-U01	TERMINAL, CABLE	(2)		
13	24832-ZW5-U01	SPACER, CABLE CLAMP	(1)		
14	24832-ZW7-U01	HOLDER, NEUTRAL LOCK	(1)		
15	24833-ZW7-U01	BASE	(1)		
16	32530-ZW7-U20	SUB HARNESS ASSY., POWER TRIM-TILT (C)	(1)		
17	35370-ZW7-U02	SWITCH ASSY., POWER TRIM-TILT	(1)		
18	87701-ZW7-U00	MARK, HANDLE FLUSH MOUNT	(1)		
19	87703-ZW7-U00	MARK, FLUSH MOUNT	(1)		
20	90101-ZW5-U00	SCREW, PAN, 5X16	(1)		
21	90101-ZW7-U01	SCREW, TRUSS, 4X12	(1)		

Service item
 F.R.T.
 BASE 0.2
 HANDLE, REMOTE CONTROL
 SUB HARNESS ASSY., POWER TRIM-TILT
 SWITCH ASSY., POWER TRIM-TILT
 HOUSING ASSY., R. INNER 0.3

FOP-8-4

REMOTE CONTROL(FLUSH MOUNT TYPE)(RIGHT)

19



Ref. No.	Part No.	Description	Reqd. QTY	Serial No.	Parts catalogue code
		BF	BF		
		135	150		
		A4	A4		

22	90103-ZW7-U01	SCREW, PAN, 5X30	(4)		
23	90103-ZW7-U01	SCREW, PAN, 6X35	(3)		
24	90104-ZW7-U01	SCREW, TAPPING, 6X30	(3)		
25	90301-ZW7-U01	NUT, HEX., 6MM	(3)		
26	90501-ZW5-U00	WASHER, LOCK, 5MM	(4)		
27	90502-ZW7-U00	WASHER, PLAIN, 6MM	(3)		
28	94540-06029	E-RING, 6MM	(2)		

FOP-8-5

REMOTE CONTROL(FLUSH MOUNT TYPE)(LEFT)

110

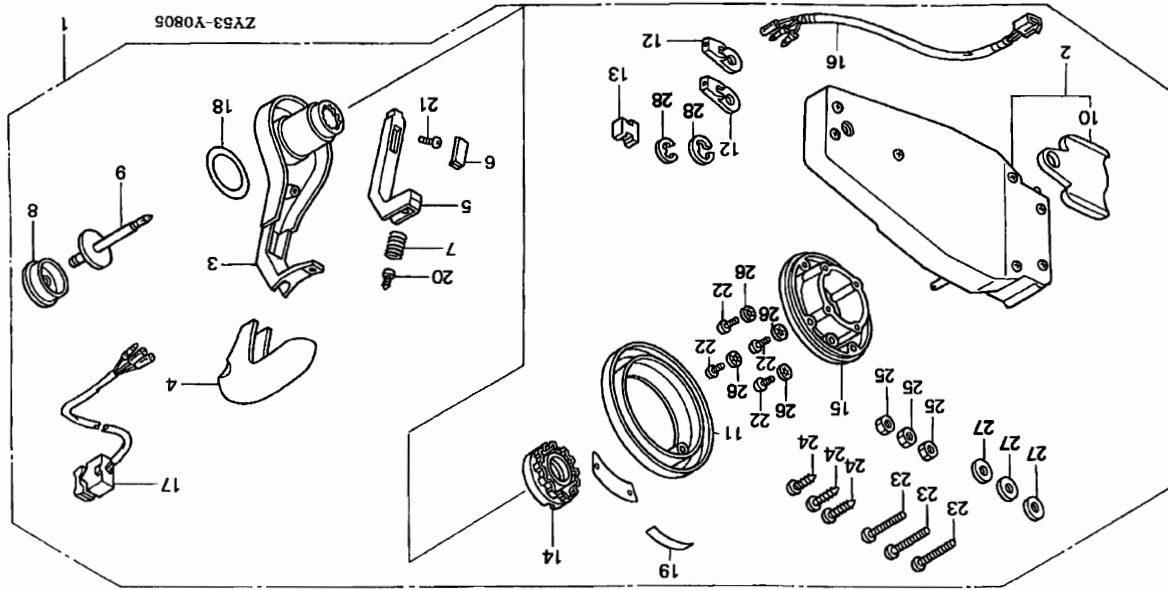
F.R.T. Service Item

BASE 0.2

.SUB HARNESS ASSY., POWER TRIM-TILT

.SWITCH ASSY., POWER TRIM-TILT

HOUSING ASSY., L. INNER 0.3



Ref. No.	Part No.	Description	Reqd. QTY	Serial No.	Parts catalogue code
				BF	
				135	
				A4	

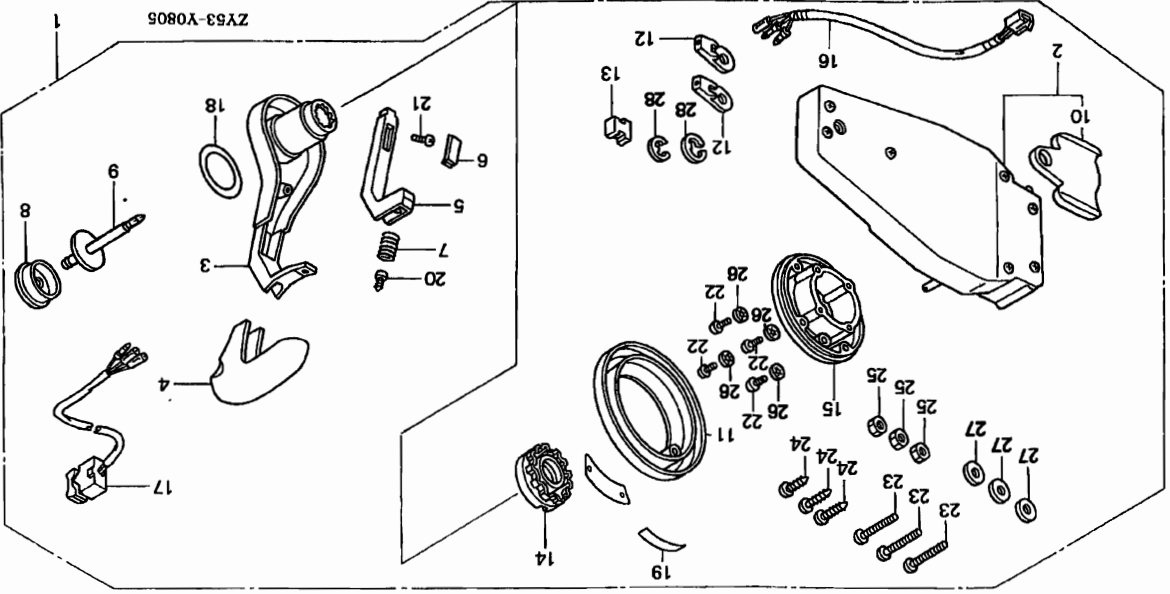
1	06240-ZW7-U10	BOX KIT, REMOTE CONTROL (FLUSH MOUNT)(L.)	(1)	(1)	
2	24810-ZW7-U11	HOUSING ASSY., L. INNER (FLUSH MOUNT)	(1)	(1)	
3	24811-ZW7-U01	HANDLE, REMOTE CONTROL (FLUSH MOUNT)	(1)	(1)	
4	24812-ZW7-U01	COVER, GRIP	(1)	(1)	
5	24813-ZW7-U01	ARM, NEUTRAL LOCK	(1)	(1)	
6	24814-ZW7-U01	COVER, LOCK ARM	(1)	(1)	
7	24815-ZW7-U01	SPRING, NEUTRAL LOCK ARM	(1)	(1)	
8	24816-ZW5-U01	BUTTON, THROTTLE	(1)	(1)	
9	24817-ZW7-U01	SHAFT, THROTTLE BUTTON	(1)	(1)	
10	24826-ZW5-U01	PLATE, DWELL	(1)	(1)	
11	24830-ZW7-U01	COVER ASSY.	(1)	(1)	
12	24831-ZW5-U01	TERMINAL, CABLE	(2)	(2)	
13	24832-ZW5-U01	SPACER, CABLE CLAMP	(1)	(1)	
14	24832-ZW7-U01	HOLDER, NEUTRAL LOCK	(1)	(1)	
15	24833-ZW7-U01	BASE	(1)	(1)	
16	32530-ZW7-U20	SUB HARNESS ASSY., POWER TRIM-TILT (C)	(1)	(1)	
17	35370-ZW7-U02	SWITCH ASSY., POWER TRIM-TILT (C)	(1)	(1)	
18	87701-ZW7-U00	MARK, HANDLE FLUSH MOUNT	(1)	(1)	
19	87703-ZW7-U00	MARK, FLUSH MOUNT	(1)	(1)	
20	90101-ZW5-U00	SCREW, PAN, 5X16	(1)	(1)	
21	90101-ZW7-U01	SCREW, TRUSS, 4X12	(1)	(1)	

3

108

FOP-8-5

REMOTE CONTROL(FLUSH MOUNT TYPE)(LEFT)



Parts catalogue code

Ref. No.	Part No.	Description	Reqd. QTY
		BF	135
		BF	150
		A4	A4
		A4	A4

Serial No.

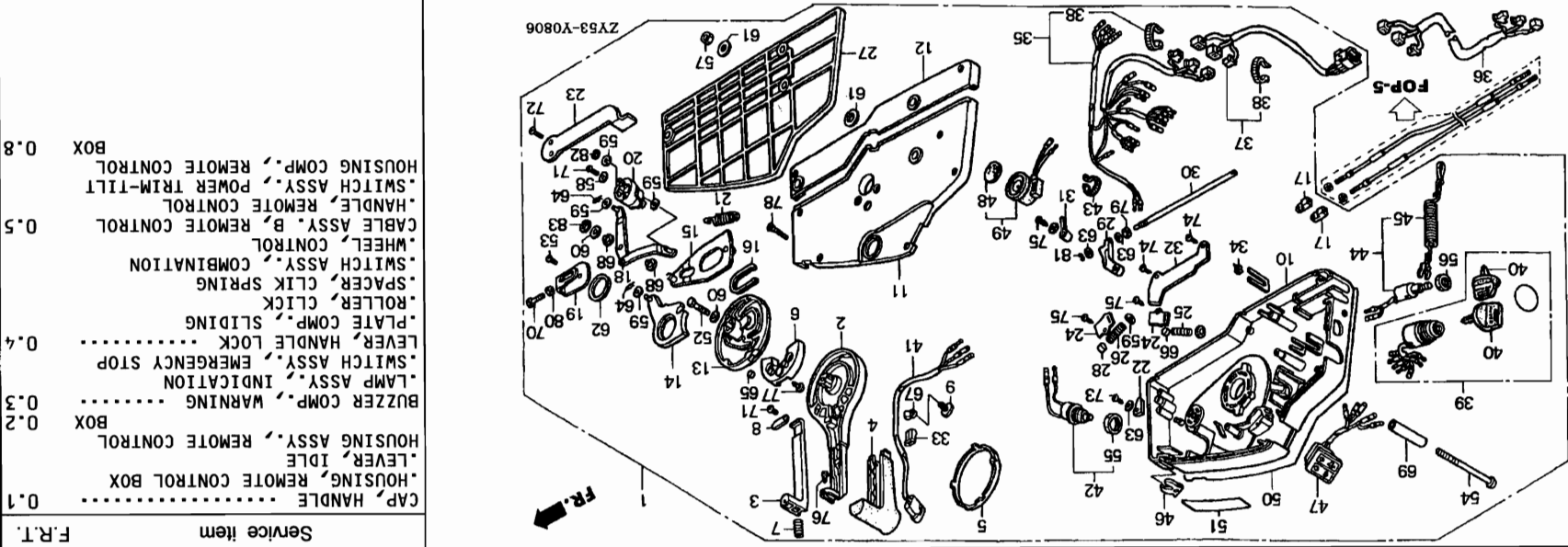
22	90102-ZW7-U01	SCREW, PAN, 5X30	(4)
23	90103-ZW7-U01	SCREW, PAN, 6X35	(3)
24	90104-ZW7-U01	SCREW, TAPPING, 6X30	(3)
25	90301-ZW7-U01	NUT, HEX., 6MM	(3)
26	90501-ZW5-U00	WASHER, LOCK, 5MM	(4)
27	90502-ZW7-U00	WASHER, PLAIN, 6MM	(3)
28	94540-06029	E-RING, 6MM	(2)

FOP-8-6

REMOTE CONTROL

112

F.R.T. Service item



- 0.1 CAP, HANDLE REMOTE CONTROL BOX
- 0.2 HOUSING ASSY., REMOTE CONTROL BOX
- 0.3 BUZZER COMP., WARNING INDICATION
- 0.4 SWITCH ASSY., EMERGENCY STOP
- 0.4 LEVER, HANDLE LOCK SLIDING
- 0.4 ROLLER, CLICK
- 0.4 SPACER, CLIK SPRING
- 0.4 SWITCH ASSY., COMBINATION
- 0.4 WHEEL, CONTROL
- 0.5 CABLE ASSY. B, REMOTE CONTROL
- 0.5 HANDLE, REMOTE CONTROL
- 0.5 SWITCH ASSY., POWER TRIM-TILT
- 0.8 HOUSING COMP., REMOTE CONTROL BOX

Ref. No.	Part No.	Description	Serial No.	Parts catalogue code
		Reqd. QTY		
		BF	BF	
		135	150	
		A4	A4	

1	24800-ZY3-010	BOX ASSY., REMOTE CONTROL	(1)	(1)
2	24811-ZV5-000	HANDLE, REMOTE CONTROL	(1)	(1)
3	24812-ZV5-000	LEVER, HANDLE LOCK	(1)	(1)
4	24813-ZV5-000	GRIP, REMOTE CONTROL HANDLE	(1)	(1)
5	24814-ZV5-010	CAP, HANDLE	(1)	(1)
6	24815-ZV5-000	BLOCK, NEUTRAL LOCK	(1)	(1)
6	24815-ZV5-000	COLLAR, SLIDING PLATE	(1)	(1)
7	24816-ZV5-000	SPRING, REMOTE CONTROL HANDLE	(1)	(1)
8	24817-ZV5-000	PLATE, LEVER SETTING	(1)	(1)
9	24818-ZV5-003	CLAMP, HARNESS	(1)	(1)
10	24820-ZV5-000	HOUSING COMP., REMOTE CONTROL	(1)	(1)
11	24830-ZV5-010	HOUSING ASSY., REMOTE CONTROL	(1)	(1)
		BOX (B)	(1)	(1)
12	24836-ZV5-000	HOUSING, REMOTE CONTROL BOX	(1)	(1)
		(C)		
13	24841-ZV5-000	WHEEL, CONTROL	(1)	(1)
14	24845-ZV5-000	ARM COMP., SHIFT LINK	(1)	(1)
15	24850-ZV5-000	PLATE COMP., SLIDING	(1)	(1)
16	24854-ZV5-000	COLLAR, SLIDING PLATE	(1)	(1)
17	24855-ZV5-000	PIVOT, SHIFT	(2)	(2)
18	24860-ZV5-000	ARM COMP., LINK JOINT	(1)	(1)
19	24865-ZV5-000	BRACKET, LINK JOINT	(1)	(1)
20	24875-ZV5-000	WHEEL, ACCELERATOR	(1)	(1)
21	24876-ZV5-000	SPRING, ACCELERATOR WHEEL	(1)	(1)
22	24877-ZV5-000	CAM, STARTER SWITCH	(1)	(1)



FOP-8-6

REMOTE CONTROL

113

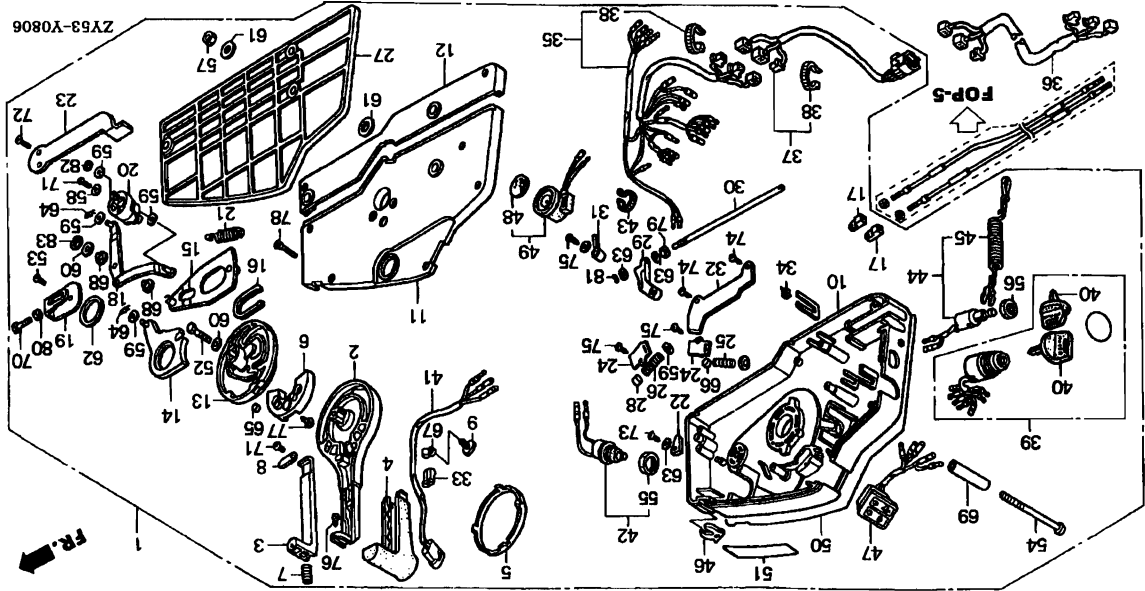
Parts catalogue code

Ref. Part No. Description Serial No. Req'd. QTY
BF 135 BF 150 A4 A4

23	24878-ZV5-000	LEVER, IDLE	(1)	(1)
24	24881-ZV5-000	PLATE, SPRING SETTING	(2)	(2)
25	24883-ZV5-000	SPRING, SHIFT CLICK	(1)	(1)
26	24884-ZV5-000	SPRING, CHOKE RETURN	(1)	(1)
27	24885-ZV5-000	SPACER, REMOTE CONTROL BOX ..	(1)	(1)
28	24887-ZV5-000	SPACER, CLIK SPRING	(1)	(1)
29	24891-ZV5-000	BLOCK, THROTTLE FRICTION	(1)	(1)
30	24892-ZV5-000	BOLT, FRICTION	(1)	(1)
31	24894-ZV5-000	SPACER, NEUTRAL SWITCH	(1)	(1)
32	24895-ZV5-000	CLAMP, POWER TILT CORD	(1)	(1)
33	24897-ZV5-000	PIPE, HARNESS GUIDE	(1)	(1)
34	24898-ZV5-000	SPACER, CABLE CLAMP	(1)	(1)
35	32530-ZY3-010	CABLE ASSY. B, REMOTE CONTROL	(1)	(1)
36	32570-ZY3-900	CABLE ASSY., REMOTE CONTROL EXTENSION	(1)	(1)
37	32580-ZY3-000	CABLE ASSY., SWITCH PANEL	(1)	(1)
38	32901-952-770	TIE, CABLE	(4)	(4)
39	35100-ZV5-003	SWITCH ASSY., COMBINATION	(1)	(1)
40	35110-ZV5-003	KEY ASSY., COMBINATION SWITCH	(2)	(2)
41	35370-ZV5-823	SWITCH ASSY., POWER TRIM-TILT	(1)	(1)
42	35630-ZV5-003	SWITCH ASSY., SOLENOID	(1)	(1)
43	35701-M69-950	BAND	(1)	(1)
44	36180-ZV5-013	SWITCH ASSY., EMERGENCY STOP	(1)	(1)
45	36182-ZV4-650	CORD COMP., EMERGENCY	(1)	(1)
46	36187-ZV4-651	CLIP, EMERGENCY LOCK	(1)	(1)
47	37210-ZV5-013	LAMP ASSY., INDICATION	(1)	(1)
48	38403-341-672	PLATE, WINKER BUZZER	(1)	(1)
49	38410-ZV5-003	BUZZER COMP., WARNING	(1)	(1)
50	87701-ZV5-010	PLATE, REMOTE CONTROL	(1)	(1)
51	87702-ZW5-620	MARK, FAST IDLE	(1)	(1)
52	90009-ZV5-000	BOLT, HEX., 8X35	(1)	(1)
53	90105-MM4-000	SCREW, PAN, 6X10	(1)	(1)
54	90125-ZV5-000	SCREW, 6X95	(3)	(3)
55	90302-ZV5-003	NUT, HEX., 20MM	(1)	(1)
56	90302-921-000	NUT, HEX., 16MM	(1)	(1)
57	90304-ZV4-000	NUT, HEX., 6MM	(3)	(3)
58	90502-ZV4-000	WASHER, PLAIN, 5MM	(1)	(1)
59	90506-ZV4-000	WASHER, PLAIN, 6MM	(5)	(5)
60	90507-ZV4-000	WASHER, PLAIN, 8MM	(2)	(2)
61	90512-921-010	WASHER, 6MM	(6)	(6)
62	90557-ZV5-000	WASHER, 28MM	(1)	(1)
63	90561-ZV5-000	WASHER, PLAIN, 4MM	(3)	(3)
64	90751-ZV5-000	PIN, LOCK, 6MM	(2)	(2)
65	90772-ZV5-000	PIN, 6X6	(1)	(1)
66	91151-ZV5-000	ROLLER, CLICK	(1)	(1)
67	91475-SB6-000	CLIP, WIRE HARNESS (6.3MM) ..	(1)	(1)
68	91567-ZV5-000	COLLAR, LINK JOINT	(2)	(2)
69	91570-ZV5-000	COLLAR, DISTANCE, 6X10X43.5 ..	(3)	(3)
70	92101-05016-4J	BOLT, HEX., 5X16	(1)	(1)

FOP-8-6

REMOTE CONTROL



Parts catalogue code

Ref. No.	Part No.	Description	Serial No.	Reqd. QTY
71	93500-05010-4J	SCREW, PAN, 5X10	A4	(2)
72	93700-05012-4J	SCREW, OVAL, 5X12	A4	(2)
73	93901-242J0	SCREW, TAPPING, 4X10	BF	(1)
74	93901-250J0	SCREW, TAPPING, 5X8	135	(2)
75	93901-251J0	SCREW, TAPPING, 5X10	150	(3)
76	93901-252J0	SCREW, TAPPING, 5X12	A4	(1)
77	93903-262J0	SCREW, TAPPING, 6X16		(2)
78	93905-255J0	SCREW, TAPPING, 5X25		(7)
79	94001-06490-0S	NUT, HEX, 6MM		(1)
80	94002-05490-0S	NUT, HEX, 5MM		(1)
81	94540-03029	E-RING, 3MM		(1)
82	94540-04029	E-RING, 4MM		(1)
83	94540-07029	E-RING, 7MM		(1)

FOP-9

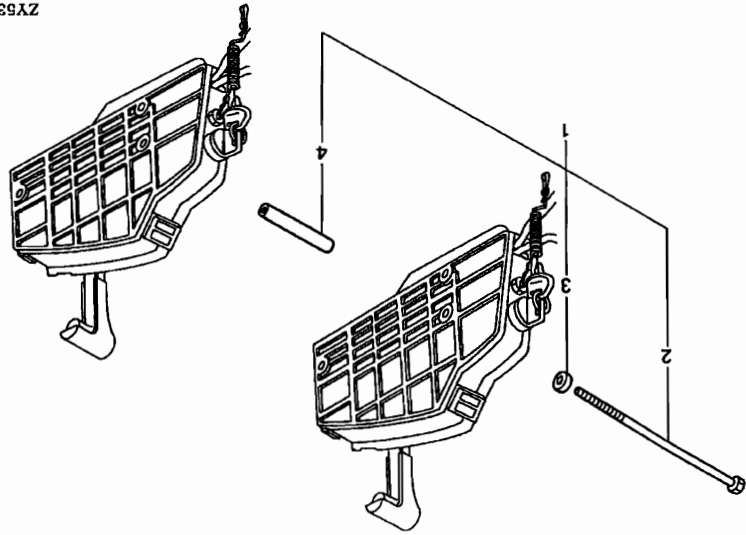
BOLT KIT

115

Service Item F.R.T.

NOT INFORMATION

ZY53-Y0900



Ref. No.	Part No.	Description	Reqd. QTY
		BF	135
		BF	150
		A4	A4

Parts catalogue code

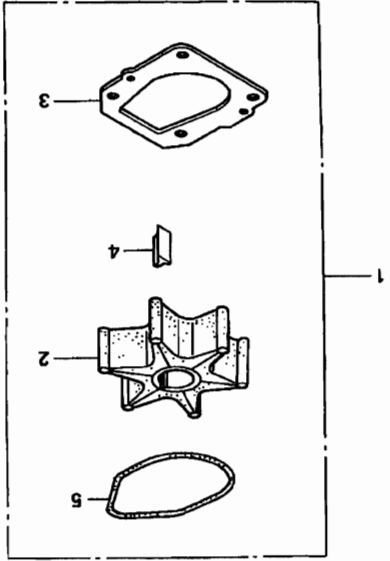
1	06900-ZW5-U00	BOLT KIT, SIDE REMOTE CONTROL	(1)
2	90021-ZW5-U00	BOLT, SPECIAL, 6X220	(3)
3	90511-ZW5-U00	COLLAR, DISTANCE (A)	(3)
4	90512-ZW5-U00	COLLAR, DISTANCE (B)	(3)

FOF-10

WATER PUMP IMPELLER KIT (1)

116

Service item F.R.T. PUMP KIT, IMPELLER 0.9



ZYS3-Y1000

Parts catalogue code

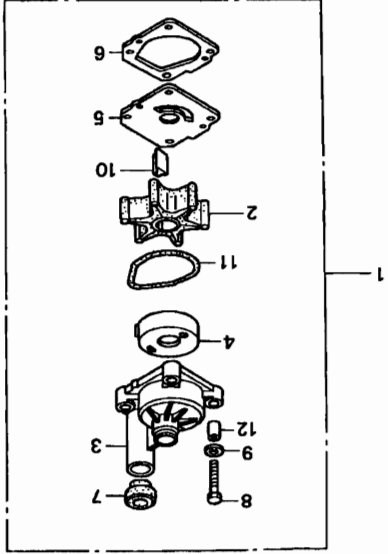
Ref. No.	Part No.	Description	Serial No.	Reqd. QTY
			BF	
			135	
			150	
			A4	
			A4	

1	06192-ZY6-000	PUMP KIT, IMPELLER	(1)	(1)
2	19210-ZW1-B04	IMPELLER, PUMP	(1)	(1)
3	19234-ZY6-000	GASKET B, IMPELLER	(1)	(1)
4	90752-ZW1-B02	KEY, WOODRUFF	(1)	(1)
5	91356-ZW1-B00	O-RING, WATER PUMP	(1)	(1)

WATER PUMP IMPELLER KIT (2)



Service item
F.R.T.
PUMP KIT, IMPELLER 0.9



ZY53-Y1001

Ref. No.	Part No.	Description	Reqd. QTY	Serial No.	Parts catalogue code
			BF		
			BF		
			135		
			150		
			A4		
			A4		

1	06193-ZY6-000	PUMP KIT, IMPELLER	(1)	(1)	
2	19210-ZW1-B04	IMPELLER, PUMP	(1)	(1)	
3	19221-ZY6-000	HOUSING, IMPELLER	(1)	(1)	
4	19223-ZW1-B00	LINER, PUMP	(1)	(1)	
5	19231-ZY6-000	COVER, IMPELLER	(1)	(1)	
6	19234-ZY6-000	GASKET B, IMPELLER	(1)	(1)	
7	19253-ZW1-B01	RING, WATER TUBE SEAL	(1)	(1)	
8	90116-881-000	BOLT, HEX, 8X40	(4)	(4)	
9	90514-921-000	WASHER, 8MM	(4)	(4)	
10	90752-ZW1-B02	KEY, WOODRUFF	(1)	(1)	
11	91356-ZW1-B00	O-RING, WATER PUMP	(1)	(1)	
12	91552-ZY6-000	COLLAR, DISTANCE	(4)	(4)	

PART NO. INDEX

Part Number	Address	Page	Ref.	Part Number	Address	Page	Ref.	Part Number	Address	Page	Ref.	Part Number	Address	Page	Ref.
17624-ZV5-901	F14	64	9	19267-ZY6-000	G10	76	9	24629-ZY6-000ZA	F1	51	20	24818-ZV5-003	F12	112	110
17661-ZV5-010	F14	64	10	19268-ZY6-000	D4	22	6	24800-ZY3-010	F12	110	11	24818-ZV5-001	H16	98	11
17662-ZV5-000	F14	64	11	19269-ZY6-000	E6	40	15	24810-ZV5-001	H16	98	3	24884-ZV5-000	I2	100	11
17680-ZV4-000	F14	64	12	19270-ZY3-000	G10	76	10	24810-ZV5-001	I4	102	3	24885-ZV5-000	I4	102	12
17701-ZV5-000	F14	64	13	19271-ZY3-000	G10	76	12	24810-ZV5-001	I2	100	3	24891-ZV5-000	I4	104	12
17702-ZV4-000	F14	64	15	19272-ZY3-000	G10	76	12	24810-ZV5-001	I6	104	3	24897-ZV5-000	I4	104	13
17703-ZV1-010	F14	64	17	19273-ZY3-000ZA	G10	76	13	24819-ZV5-001	H16	104	3	24898-ZV5-000	I4	104	13
17704-ZV4-010	F14	64	17	19274-ZY3-000	G10	76	14	24819-ZV5-001	I4	104	4	24899-ZV5-000	I4	104	13
17705-ZV1-010	F14	64	16	19275-ZW9-000	G10	76	14	24820-ZV5-001	I4	104	4	24900-ZV5-000	I4	104	13
17706-ZV6-000	F14	64	17	19276-ZW1-800	F4	54	1	24820-ZV5-001	I4	104	4	24901-ZV5-000	I4	104	13
17723-ZV6-000	E6	40	14	19277-ZY3-000ZA	G10	76	15	24820-ZV5-001	I4	104	4	24902-ZV5-000	I4	104	13
17724-ZV6-000	F14	64	18	19278-ZY6-000	G10	76	16	24820-ZV5-001	I4	104	4	24903-ZV5-000	I4	104	13
17748-ZV3-001	F14	64	18	19279-ZW9-000	G10	76	16	24820-ZV5-001	I4	104	4	24904-ZV5-000	I4	104	13
17758-ZV3-001	F14	64	18	19280-ZY6-000	G10	76	16	24820-ZV5-001	I4	104	4	24905-ZV5-000	I4	104	13
17840-ZV6-000	F14	64	1	19281-ZW9-000	G10	76	16	24820-ZV5-001	I4	104	4	24906-ZV5-000	I4	104	13
17845-ZV6-000	F14	64	1	19282-ZY3-023	D5	23	8	24820-ZV5-001	I4	104	4	24907-ZV5-000	I4	104	13
17860-ZV6-000	F14	64	1	19283-ZW9-000	G10	76	16	24820-ZV5-001	I4	104	4	24908-ZV5-000	I4	104	13
17862-ZV6-000	F14	64	1	19284-ZY6-000	G10	76	16	24820-ZV5-001	I4	104	4	24909-ZV5-000	I4	104	13
17877-ZV6-000	F14	64	1	19285-ZY6-000	G10	76	16	24820-ZV5-001	I4	104	4	24910-ZV5-000	I4	104	13
17931-ZV6-000	F14	64	1	19286-ZW1-800	F4	54	1	24820-ZV5-001	I4	104	4	24911-ZV5-000	I4	104	13
17936-921-000	F14	64	1	19287-ZW9-000	G10	76	16	24820-ZV5-001	I4	104	4	24912-ZV5-000	I4	104	13
18000				19288-ZY6-000	D8	26	8	24820-ZV5-001	I4	104	4	24913-ZV5-000	I4	104	13
18110-ZY6-000ZA	D4	22	2	23172-ZY6-000	D8	26	8	24820-ZV5-001	I4	104	4	24914-ZV5-000	I4	104	13
18112-ZV6-000	D4	22	3	23173-ZY3-000	G10	76	21	24820-ZV5-001	I4	104	4	24915-ZV5-000	I4	104	13
18113-ZV6-000	D4	22	3	24101-ZY6-000	F10	60	1	24820-ZV5-001	I4	104	4	24916-ZV5-000	I4	104	13
18115-ZV6-003	D4	22	5	24102-ZW1-800	F10	60	2	24820-ZV5-001	I4	104	4	24917-ZV5-000	I4	104	13
18135-ZV6-003	G10	76	5	24103-ZW1-800	F10	60	3	24820-ZV5-001	I4	104	4	24918-ZV5-000	I4	104	13
18211-ZY6-000ZA	G10	76	6	24813-ZV5-010	F12	62	2	24820-ZV5-001	I4	104	4	24919-ZV5-000	I4	104	13
18212-ZY6-000	G10	76	7	24813-ZV5-010	F12	62	3	24820-ZV5-001	I4	104	4	24920-ZV5-000	I4	104	13
19000				24814-ZV5-010	F12	62	3	24820-ZV5-001	I4	104	4	24921-ZV5-000	I4	104	13
19210-ZW1-804	F8	58	2	24814-ZV5-010	F12	62	3	24820-ZV5-001	I4	104	4	24922-ZV5-000	I4	104	13
19210-ZY6-000	F8	58	2	24814-ZV5-010	F12	62	3	24820-ZV5-001	I4	104	4	24923-ZV5-000	I4	104	13
19221-ZY6-000	F8	58	2	24814-ZV5-010	F12	62	3	24820-ZV5-001	I4	104	4	24924-ZV5-000	I4	104	13
19222-ZY6-000	F8	58	2	24814-ZV5-010	F12	62	3	24820-ZV5-001	I4	104	4	24925-ZV5-000	I4	104	13
19223-ZW1-800	F8	58	4	24815-ZV5-000	F12	62	6	24820-ZV5-001	I4	104	4	24926-ZV5-000	I4	104	13
192231-ZW1-000	F8	58	4	24815-ZV5-000	F12	62	6	24820-ZV5-001	I4	104	4	24927-ZV5-000	I4	104	13
19231-ZY6-000	F8	58	5	24815-ZV5-001	F12	62	6	24820-ZV5-001	I4	104	4	24928-ZV5-000	I4	104	13
19234-ZY6-000	F8	58	5	24815-ZV5-001	F12	62	6	24820-ZV5-001	I4	104	4	24929-ZV5-000	I4	104	13
19251-ZY6-000	F8	58	6	24816-ZV5-000	F12	62	6	24820-ZV5-001	I4	104	4	24930-ZV5-000	I4	104	13
19251-ZY6-610	F8	58	7	24816-ZV5-000	F12	62	6	24820-ZV5-001	I4	104	4	24931-ZV5-000	I4	104	13
19252-ZW1-000	D8	26	6	24816-ZV5-000	F12	62	6	24820-ZV5-001	I4	104	4	24932-ZV5-000	I4	104	13
19253-ZW1-801	F8	58	8	24816-ZV5-000	F12	62	6	24820-ZV5-001	I4	104	4	24933-ZV5-000	I4	104	13
19254-ZY6-000	D8	26	7	24816-ZV5-000	F12	62	6	24820-ZV5-001	I4	104	4	24934-ZV5-000	I4	104	13
19260-ZY6-000	G10	76	3	24817-ZV5-000	F12	62	6	24820-ZV5-001	I4	104	4				
19261-ZY6-000	D5	23	4	24817-ZV5-000	F12	62	6	24820-ZV5-001	I4	104	4				
19262-ZY6-000	D5	23	5	24817-ZV5-000	F12	62	6	24820-ZV5-001	I4	104	4				
19263-ZY6-000	D5	23	6	24817-ZV5-000	F12	62	6	24820-ZV5-001	I4	104	4				
19264-ZY6-000	D5	23	7	24817-ZV5-000	F12	62	6	24820-ZV5-001	I4	104	4				
19265-ZY6-000	D5	23	8	24817-ZV5-000	F12	62	6	24820-ZV5-001	I4	104	4				
19266-ZY6-000	D5	23	9	24817-ZV5-000	F12	62	6	24820-ZV5-001	I4	104	4				



PART NO. INDEX

Part Number	Address	Page	Ref.	Part Number	Address	Page	Ref.	Part Number	Address	Page	Ref.	Part Number	Address	Page	Ref.
91202-ZW5-003		G11	77	91540-SV4-003		D4	22	94002-06490-0S		G4	70	95005-70040-30		G11	77
91203-ZV5-821		G15	81	91541-S0A-003		F15	65	94050-05020		G1	67	95005-70075-30		D5	23
91207-ZW1-003		G15	81			G1	32			H12	19	95005-70090-30		D5	18
91212-PN1-003		D14	22	91546-SP0-A01		D14	22			H14	19	95005-70120-30		D5	19
91212-PNC-004		D14	32			G3	69			I1	99	95005-70160-30		G11	77
91214-PNA-014		D3	21			E7	47			I3	101	95005-70200-30		G11	77
91254-ZY3-003		F9	59			F3	48			I5	103	95005-70400-30		E7	47
91255-ZY3-003		F3	46	91553-ZV5-010		E5	39			I3	34	95005-70400-30		G11	77
91256-ZV5-003		G13	79			G1	67			I5	103	95005-70400-30		E7	47
91301-216-000		F4	20			G2	68			I5	103	95005-70400-30		E7	47
91301-805-000		D3	21			G7	73			I7	105	95005-70400-30		E7	47
91301-MJ0-003		E4	38			G9	75			I7	105	95005-70400-30		E7	47
91301-PLC-000		E4	38			G6	70			I7	105	95005-70400-30		E7	47
91301-ZY6-003		D4	22			G13	79			H14	96	95005-70400-30		E7	47
91301-ZY6-000		D4	22			G15	81			H12	94	95005-70400-30		E7	47
91302-PNA-003		E4	38			G13	79			H14	96	95005-70400-30		E7	47
91302-ZV5-821		G15	81			G13	79			H14	96	95005-70400-30		E7	47
91302-ZY6-003		D4	22			G13	79			H14	96	95005-70400-30		E7	47
91303-800-000		G11	77			G13	79			H14	96	95005-70400-30		E7	47
91303-ZY3-000		E16	50			G13	79			H14	96	95005-70400-30		E7	47
91303-ZY6-003		D16	34			G13	79			H14	96	95005-70400-30		E7	47
91304-ZY6-000		D14	32			G13	79			H14	96	95005-70400-30		E7	47
91305-ZY6-003		D3	21			G13	79			H14	96	95005-70400-30		E7	47
91307-PNA-003		D3	21			G13	79			H14	96	95005-70400-30		E7	47
91307-PNA-003		D3	21			G13	79			H14	96	95005-70400-30		E7	47
91309-PJ7-010		G11	77			G13	79			H14	96	95005-70400-30		E7	47
91316-ZV5-821		G15	81			G13	79			H14	96	95005-70400-30		E7	47
91317-PA9-003		E7	41			G13	79			H14	96	95005-70400-30		E7	47
91319-PR3-003		D3	21			G13	79			H14	96	95005-70400-30		E7	47
91321-PX0-003		F3	47			G13	79			H14	96	95005-70400-30		E7	47
91324-PC6-000		D8	26			G13	79			H14	96	95005-70400-30		E7	47
91333-PNA-003		D14	32			G13	79			H14	96	95005-70400-30		E7	47
91351-ZY3-003		F11	61			G13	79			H14	96	95005-70400-30		E7	47
91355-ZW1-701		G15	81			G13	79			H14	96	95005-70400-30		E7	47
91356-ZW1-800		F9	59			G13	79			H14	96	95005-70400-30		E7	47
91357-ZW1-701		G15	81			G13	79			H14	96	95005-70400-30		E7	47
91358-ZW1-701		G15	81			G13	79			H14	96	95005-70400-30		E7	47
91359-MB0-000		F9	59			G13	79			H14	96	95005-70400-30		E7	47
91360-VD6-003		D7	25			G13	79			H14	96	95005-70400-30		E7	47
91475-SB6-000		I13	67			G13	79			H14	96	95005-70400-30		E7	47
91501-ZY3-000		E11	45			G13	79			H14	96	95005-70400-30		E7	47
91502-ZY6-003		D13	31			G13	79			H14	96	95005-70400-30		E7	47
91531-SZ5-003		G3	69			G13	79			H14	96	95005-70400-30		E7	47



PART NAME INDEX

[A]				[B]			
Part name	Address	Page	Ref.	Part name	Address	Page	Ref.
ARMATURE COMP.	EX. ROCKERS	D12	30	BAG, TOOL	230MM	H1	83
ARM ASSY.	ROCKER	D12	30	BALL, STEEL		E16	50
ARM ASSY.	EX. ROCKERS	D12	30	BALL, STEEL		F11	61
ARM COMP.	CAM CHAIN TENSIONER	D12	30	BELT, A.C. GENERATOR		E2	29
ARM COMP.	CLICK	F1	51	BLOCK ASSY., CYLINDER		D2	20
ARM COMP.	LINK JOINT	I12	110	BLOCK, NEUTRAL LOCK		I12	30
ARM COMP.	SHIFT LINK	I12	110	BLOCK, THROTTLE FRICTION		I13	31
ARM, NEUTRAL LOCK		I8	106	BODY COMP., CHAMBER		E9	32
ARM, SHIFT		F1	108	BODY COMP., OIL JET		D2	42
ARM, THROTTLE		F1	51	BOLT		E12	43
		F1	51	BOLT-WASHER		1	86
		F1	51	BOLT-WASHER		2	69
		F1	51	BOLT-WASHER		10	85
		F14	64	BOLT-WASHER		17	64
		F14	64	BOLT-WASHER		17	64
		F14	64	BOLT-WASHER		16	64
		F14	64	BOLT-WASHER		16	64
		F5	71	BOLT-WASHER		62	68
		F4	54	BOLT-WASHER		8X10	2
		F15	65	BOLT A, THROUGH		E16	50
		G12	78	BOLT A, HEAD COVER		D15	20
BAND, WIRE HARNESS		H12	94	BOLT-WASHER		D2	20
BAND, WIRE HARNESS		H12	94	BOLT-WASHER		D2	14
BASE		I18	106	BOLT-WASHER		E12	46
BASE		I18	106	BOLT-WASHER		E12	46
BASE, INJECTOR		E3	37	BOLT-WASHER		10X30	1
BEARING A, CONNECTING ROD		D9	27	BOLT-WASHER		11X155	2
BEARING A, MAIN LOWER		D10	28	BOLT-WASHER		11X95	2
BEARING A, MAIN UPPER		D9	27	BOLT-WASHER		16X49	17
BEARING A, CONNECTING ROD		D9	27	BOLT-WASHER		5X18	3
BEARING B, MAIN LOWER		D10	28	BOLT-WASHER		6X16	4
BEARING B, MAIN UPPER		D9	27	BOLT-WASHER		6X18	26
BEARING B, CONNECTING ROD		D9	27	BOLT-WASHER		8X10	2
BEARING C, CONNECTING ROD		D9	27	BOLT-WASHER		8X10	2
BEARING C, MAIN LOWER		D11	29	BOLT A, THROUGH		E16	50
BEARING C, MAIN UPPER		D10	28	BOLT A, HEAD COVER		D15	20
BEARING D, CONNECTING ROD		D9	27	BOLT-WASHER		D2	20
BEARING D, MAIN LOWER		D11	29	BOLT-WASHER		D2	14
BEARING D, MAIN UPPER		D10	28	BOLT-WASHER		D2	14
BEARING E, CONNECTING ROD		D9	27	BOLT-WASHER		D2	14
BEARING E, MAIN LOWER		D11	29	BOLT-WASHER		D2	14
BEARING E, MAIN UPPER		D10	28	BOLT-WASHER		D2	14
BEARING F, CONNECTING ROD		D9	27	BOLT-WASHER		D2	14
BEARING F, MAIN LOWER		D11	29	BOLT-WASHER		D2	14
BEARING F, MAIN UPPER		D10	28	BOLT-WASHER		D2	14
BEARING G, CONNECTING ROD		D9	27	BOLT-WASHER		D2	14
BEARING G, MAIN LOWER		D11	29	BOLT-WASHER		D2	14
BEARING G, MAIN UPPER		D10	28	BOLT-WASHER		D2	14
BEARING H, CONNECTING ROD		D9	27	BOLT-WASHER		D2	14
BEARING H, MAIN LOWER		D11	29	BOLT-WASHER		D2	14
BEARING H, MAIN UPPER		D10	28	BOLT-WASHER		D2	14
BEARING I, CONNECTING ROD		D9	27	BOLT-WASHER		D2	14
BEARING I, MAIN LOWER		D11	29	BOLT-WASHER		D2	14
BEARING I, MAIN UPPER		D10	28	BOLT-WASHER		D2	14
BEARING J, CONNECTING ROD		D9	27	BOLT-WASHER		D2	14
BEARING J, MAIN LOWER		D11	29	BOLT-WASHER		D2	14
BEARING J, MAIN UPPER		D10	28	BOLT-WASHER		D2	14
BEARING K, CONNECTING ROD		D9	27	BOLT-WASHER		D2	14
BEARING K, MAIN LOWER		D11	29	BOLT-WASHER		D2	14
BEARING K, MAIN UPPER		D10	28	BOLT-WASHER		D2	14
BEARING L, CONNECTING ROD		D9	27	BOLT-WASHER		D2	14
BEARING L, MAIN LOWER		D11	29	BOLT-WASHER		D2	14
BEARING L, MAIN UPPER		D10	28	BOLT-WASHER		D2	14
BEARING M, CONNECTING ROD		D9	27	BOLT-WASHER		D2	14
BEARING M, MAIN LOWER		D11	29	BOLT-WASHER		D2	14
BEARING M, MAIN UPPER		D10	28	BOLT-WASHER		D2	14
BEARING N, CONNECTING ROD		D9	27	BOLT-WASHER		D2	14
BEARING N, MAIN LOWER		D11	29	BOLT-WASHER		D2	14
BEARING N, MAIN UPPER		D10	28	BOLT-WASHER		D2	14
BEARING O, CONNECTING ROD		D9	27	BOLT-WASHER		D2	14
BEARING O, MAIN LOWER		D11	29	BOLT-WASHER		D2	14
BEARING O, MAIN UPPER		D10	28	BOLT-WASHER		D2	14
BEARING P, CONNECTING ROD		D9	27	BOLT-WASHER		D2	14
BEARING P, MAIN LOWER		D11	29	BOLT-WASHER		D2	14
BEARING P, MAIN UPPER		D10	28	BOLT-WASHER		D2	14
BEARING Q, CONNECTING ROD		D9	27	BOLT-WASHER		D2	14
BEARING Q, MAIN LOWER		D11	29	BOLT-WASHER		D2	14
BEARING Q, MAIN UPPER		D10	28	BOLT-WASHER		D2	14
BEARING R, CONNECTING ROD		D9	27	BOLT-WASHER		D2	14
BEARING R, MAIN LOWER		D11	29	BOLT-WASHER		D2	14
BEARING R, MAIN UPPER		D10	28	BOLT-WASHER		D2	14
BEARING S, CONNECTING ROD		D9	27	BOLT-WASHER		D2	14
BEARING S, MAIN LOWER		D11	29	BOLT-WASHER		D2	14
BEARING S, MAIN UPPER		D10	28	BOLT-WASHER		D2	14
BEARING T, CONNECTING ROD		D9	27	BOLT-WASHER		D2	14
BEARING T, MAIN LOWER		D11	29	BOLT-WASHER		D2	14
BEARING T, MAIN UPPER		D10	28	BOLT-WASHER		D2	14
BEARING U, CONNECTING ROD		D9	27	BOLT-WASHER		D2	14
BEARING U, MAIN LOWER		D11	29	BOLT-WASHER		D2	14
BEARING U, MAIN UPPER		D10	28	BOLT-WASHER		D2	14
BEARING V, CONNECTING ROD		D9	27	BOLT-WASHER		D2	14
BEARING V, MAIN LOWER		D11	29	BOLT-WASHER		D2	14
BEARING V, MAIN UPPER		D10	28	BOLT-WASHER		D2	14
BEARING W, CONNECTING ROD		D9	27	BOLT-WASHER		D2	14
BEARING W, MAIN LOWER		D11	29	BOLT-WASHER		D2	14
BEARING W, MAIN UPPER		D10	28	BOLT-WASHER		D2	14
BEARING X, CONNECTING ROD		D9	27	BOLT-WASHER		D2	14
BEARING X, MAIN LOWER		D11	29	BOLT-WASHER		D2	14
BEARING X, MAIN UPPER		D10	28	BOLT-WASHER		D2	14
BEARING Y, CONNECTING ROD		D9	27	BOLT-WASHER		D2	14
BEARING Y, MAIN LOWER		D11	29	BOLT-WASHER		D2	14
BEARING Y, MAIN UPPER		D10	28	BOLT-WASHER		D2	14
BEARING Z, CONNECTING ROD		D9	27	BOLT-WASHER		D2	14
BEARING Z, MAIN LOWER		D11	29	BOLT-WASHER		D2	14
BEARING Z, MAIN UPPER		D10	28	BOLT-WASHER		D2	14



PART NAME INDEX

L 2

Part name	Address	Page	Ref.	Part name	Address	Page	Ref.
BOLT, FLANGE, 8X100	D8	26	13	BOLT, SOCKET, 6X16	G4	70	9
BOLT, FLANGE, 8X18	G1	67	24	BOLT, SOCKET, 6X20	G4	70	7
BOLT, FLANGE, 8X110	D16	34	30	BOLT, SOCKET, 6X25	D1	19	5
BOLT, FLANGE, 8X20	D3	21	25	BOLT, SOCKET, 6X17	E12	46	23
BOLT, FLANGE, 8X25	E12	46	25	BOLT, SPECIAL ADJUSTER	E12	46	23
BOLT, FLANGE, 8X28	E4	38	30	BOLT, SPECIAL, 6X17	E12	46	23
BOLT, FLANGE, 8X28	E4	38	28	BOLT, SPECIAL, 6X220	G8	74	14
BOLT, FLANGE, 8X30	E10	44	46	BOLT, SPECIAL, 6X31	D14	32	11
BOLT, FLANGE, 8X32	D7	25	29	BOLT, SPECIAL, 8MM	D6	24	15
BOLT, FLANGE, 8X35	D3	21	27	BOLT, SPECIAL, 12X145	G13	79	30
BOLT, FLANGE, 8X45	E4	38	29	BOLT, TENSIONER	E13	47	27
BOLT, FLANGE, 8X50	D3	21	30	BOLT, TENSIONER PIVOT	D13	31	29
BOLT, FLANGE, 8X55	D2	20	20	BOSS, FLYWHEEL	D6	24	13
BOLT, FLANGE, 8X60	E5	39	17	BUSH, B, COVER LOCK	G5	71	13
BOLT, FLANGE, 8X75	E1	35	17	BUSH, COMP, VERTICAL SHAFT	F7	57	2
BOLT, FLANGE, 8X90	D16	34	29	BUSH, BLADE BRAKE	F2	52	26
BOLT, FRICTION	I13	37	1	BUSH, INSULATION	E12	46	20
BOLT, FUEL PIPE	E3	37	1	BUSH, LOWER CYLINDER	G14	80	20
BOLT, HEX, 8X35	I13	37	111	BUSH, MOTOR CODE	G14	80	15
BOLT, HEX, 8X40	F8	58	19	BUSH, SWIVEL CASE	G12	78	17
BOLT, HEX, 8X30	F7	57	10	BUSH, TILT ARM	G13	79	23
BOLT, HEX, 6X12	F8	58	18	BUTTON, THROTTLE	H16	98	9
BOLT, HEX, 6X16	F2	52	31	BRAKING, WEDGE BASE	F16	66	7
BOLT, HEX, 6X20	G13	79	36	BULB, PRIMER	F14	64	10
BOLT, HEX, 6X25	G13	79	34	BULB, PLATE	E8	42	4
BOLT, HEX, 6X50	F5	55	21	BURUSH SET	E16	50	7
BOLT, HEX, 8X30	F7	57	10	BRACKET, WATER TUBE CLAMP	D4	22	6
BOLT, HEX, 8X35	F7	57	11	BRACKET, TILTING	G13	79	24
BOLT, HEX, 12X19	G13	79	37	BRACKET, SHIFT LINK	F1	51	19
BOLT, HEX, 12X22.5	F7	57	11	BRACKET, SENSOR CORD	E5	39	9
BOLT, HEX, 12X27	D8	26	12	BRACKET, R. STERN	G12	78	18
BOLT, HEX, 12X30	D8	26	12	BRACKET, RR. SIDE COVER	E16	50	11
BOLT, HEX, 12X130	D8	26	12	BRACKET, R. SIDE COVER	G5	71	6
BOLT, HEX, 10X40	F4	54	15	BRACKET, RELAY	F16	66	17
BOLT, HEX, 10X32	F4	54	13	BRACKET, REMOTE CONTROL	F16	66	17
BOLT, HEX, 10X23.5	G13	79	32	BRACKET, REMOTE CONTROL	F16	66	17
BOLT, HEX, 10X25	G13	79	32	BRACKET, RELAY	F16	66	17
BOLT, HEX, 12X19	G13	79	37	BRACKET, R. SIDE COVER	G5	71	6
BOLT, HEX, 12X19	G13	79	37	BRACKET, RELAY	F16	66	17
BOLT, HEX, 12X22.5	F7	57	11	BRACKET, REMOTE CONTROL	F16	66	17
BOLT, HEX, 12X27	D8	26	12	BRACKET, REMOTE CONTROL	F16	66	17
BOLT, HEX, 12X70	I13	37	111	BRACKET, REMOTE CONTROL	F16	66	17
BOLT, HEX, 5X16	I13	37	111	BRACKET, REMOTE CONTROL	F16	66	17
BOLT, HEX, 6X12	F8	58	18	BRACKET, REMOTE CONTROL	F16	66	17
BOLT, HEX, 6X14	G13	79	33	BRACKET, REMOTE CONTROL	F16	66	17
BOLT, HEX, 6X16	F2	52	31	BRACKET, REMOTE CONTROL	F16	66	17
BOLT, HEX, 6X20	G13	79	36	BRACKET, REMOTE CONTROL	F16	66	17
BOLT, HEX, 6X25	G13	79	34	BRACKET, REMOTE CONTROL	F16	66	17
BOLT, HEX, 6X50	F5	55	21	BRACKET, REMOTE CONTROL	F16	66	17
BOLT, HEX, 8X30	F7	57	10	BRACKET, REMOTE CONTROL	F16	66	17
BOLT, HEX, 8X35	F7	57	10	BRACKET, REMOTE CONTROL	F16	66	17
BOLT, HEX, 8X40	F8	58	19	BRACKET, REMOTE CONTROL	F16	66	17
BOLT, HEX, 8X45	F8	58	19	BRACKET, REMOTE CONTROL	F16	66	17
BOLT, HEX, 8X50	F8	58	19	BRACKET, REMOTE CONTROL	F16	66	17
BOLT, HEX, 8X55	F8	58	19	BRACKET, REMOTE CONTROL	F16	66	17
BOLT, HEX, 8X60	F8	58	19	BRACKET, REMOTE CONTROL	F16	66	17
BOLT, HEX, 8X65	F8	58	19	BRACKET, REMOTE CONTROL	F16	66	17
BOLT, HEX, 8X70	F8	58	19	BRACKET, REMOTE CONTROL	F16	66	17
BOLT, HEX, 8X75	F8	58	19	BRACKET, REMOTE CONTROL	F16	66	17
BOLT, HEX, 8X80	F8	58	19	BRACKET, REMOTE CONTROL	F16	66	17
BOLT, HEX, 8X85	F8	58	19	BRACKET, REMOTE CONTROL	F16	66	17
BOLT, HEX, 8X90	F8	58	19	BRACKET, REMOTE CONTROL	F16	66	17
BOLT, HEX, 8X95	F8	58	19	BRACKET, REMOTE CONTROL	F16	66	17
BOLT, HEX, 8X100	F8	58	19	BRACKET, REMOTE CONTROL	F16	66	17
BOLT, HEX, 8X105	F8	58	19	BRACKET, REMOTE CONTROL	F16	66	17
BOLT, HEX, 8X110	F8	58	19	BRACKET, REMOTE CONTROL	F16	66	17
BOLT, HEX, 8X115	F8	58	19	BRACKET, REMOTE CONTROL	F16	66	17
BOLT, HEX, 8X120	F8	58	19	BRACKET, REMOTE CONTROL	F16	66	17
BOLT, HEX, 8X125	F8	58	19	BRACKET, REMOTE CONTROL	F16	66	17
BOLT, HEX, 8X130	F8	58	19	BRACKET, REMOTE CONTROL	F16	66	17
BOLT, HEX, 8X135	F8	58	19	BRACKET, REMOTE CONTROL	F16	66	17
BOLT, HEX, 8X140	F8	58	19	BRACKET, REMOTE CONTROL	F16	66	17
BOLT, HEX, 8X145	F8	58	19	BRACKET, REMOTE CONTROL	F16	66	17
BOLT, HEX, 8X150	F8	58	19	BRACKET, REMOTE CONTROL	F16	66	17
BOLT, HEX, 8X155	F8	58	19	BRACKET, REMOTE CONTROL	F16	66	17
BOLT, HEX, 8X160	F8	58	19	BRACKET, REMOTE CONTROL	F16	66	17
BOLT, HEX, 8X165	F8	58	19	BRACKET, REMOTE CONTROL	F16	66	17
BOLT, HEX, 8X170	F8	58	19	BRACKET, REMOTE CONTROL	F16	66	17
BOLT, HEX, 8X175	F8	58	19	BRACKET, REMOTE CONTROL	F16	66	17
BOLT, HEX, 8X180	F8	58	19	BRACKET, REMOTE CONTROL	F16	66	17
BOLT, HEX, 8X185	F8	58	19	BRACKET, REMOTE CONTROL	F16	66	17
BOLT, HEX, 8X190	F8	58	19	BRACKET, REMOTE CONTROL	F16	66	17
BOLT, HEX, 8X195	F8	58	19	BRACKET, REMOTE CONTROL	F16	66	17
BOLT, HEX, 8X200	F8	58	19	BRACKET, REMOTE CONTROL	F16	66	17
BOLT, HEX, 8X205	F8	58	19	BRACKET, REMOTE CONTROL	F16	66	17
BOLT, HEX, 8X210	F8	58	19	BRACKET, REMOTE CONTROL	F16	66	17
BOLT, HEX, 8X215	F8	58	19	BRACKET, REMOTE CONTROL	F16	66	17
BOLT, HEX, 8X220	F8	58	19	BRACKET, REMOTE CONTROL	F16	66	17
BOLT, HEX, 8X225	F8	58	19	BRACKET, REMOTE CONTROL	F16	66	17
BOLT, HEX, 8X230	F8	58	19	BRACKET, REMOTE CONTROL	F16	66	17
BOLT, HEX, 8X235	F8	58	19	BRACKET, REMOTE CONTROL	F16	66	17
BOLT, HEX, 8X240	F8	58	19	BRACKET, REMOTE CONTROL	F16	66	17
BOLT, HEX, 8X245	F8	58	19	BRACKET, REMOTE CONTROL	F16	66	17
BOLT, HEX, 8X250	F8	58	19	BRACKET, REMOTE CONTROL	F16	66	17
BOLT, HEX, 8X255	F8	58	19	BRACKET, REMOTE CONTROL	F16	66	17
BOLT, HEX, 8X260	F8	58	19	BRACKET, REMOTE CONTROL	F16	66	17
BOLT, HEX, 8X265	F8	58	19	BRACKET, REMOTE CONTROL	F16	66	17
BOLT, HEX, 8X270	F8	58	19	BRACKET, REMOTE CONTROL	F16	66	17
BOLT, HEX, 8X275	F8	58	19	BRACKET, REMOTE CONTROL	F16	66	17
BOLT, HEX, 8X280	F8	58	19	BRACKET, REMOTE CONTROL	F16	66	17
BOLT, HEX, 8X285	F8	58	19	BRACKET, REMOTE CONTROL	F16	66	17
BOLT, HEX, 8X290	F8	58	19	BRACKET, REMOTE CONTROL	F16	66	17
BOLT, HEX, 8X295	F8	58	19	BRACKET, REMOTE CONTROL	F16	66	17
BOLT, HEX, 8X300	F8	58	19	BRACKET, REMOTE CONTROL	F16	66	17
BOLT, HEX, 8X305	F8	58	19	BRACKET, REMOTE CONTROL	F16	66	17
BOLT, HEX, 8X310	F8	58	19	BRACKET, REMOTE CONTROL	F16	66	17
BOLT, HEX, 8X315	F8	58	19	BRACKET, REMOTE CONTROL	F16	66	17
BOLT, HEX, 8X320	F8	58	19	BRACKET, REMOTE CONTROL	F16	66	17
BOLT, HEX, 8X325	F8	58	19	BRACKET, REMOTE CONTROL	F16	66	17
BOLT, HEX, 8X330	F8	58	19	BRACKET, REMOTE CONTROL	F16	66	17
BOLT, HEX, 8X335	F8	58	19	BRACKET, REMOTE CONTROL	F16	66	17
BOLT, HEX, 8X340	F8	58	19	BRACKET, REMOTE CONTROL	F16	66	17
BOLT, HEX, 8X345	F8	58	19	BRACKET, REMOTE CONTROL	F16	66	17
BOLT, HEX, 8X350	F8	58	19	BRACKET, REMOTE CONTROL	F16	66	17
BOLT, HEX, 8X355	F8	58	19	BRACKET, REMOTE CONTROL	F16	66	17
BOLT, HEX, 8X360	F8	58	19	BRACKET, REMOTE CONTROL	F16	66	17
BOLT, HEX, 8X365	F8	58	19	BRACKET, REMOTE CONTROL	F16	66	17
BOLT, HEX, 8X370	F8	58	19	BRACKET, REMOTE CONTROL	F16	66	17
BOLT, HEX, 8X375	F8	58	19	BRACKET, REMOTE CONTROL	F16	66	17
BOLT, HEX, 8X380	F8	58	19	BRACKET, REMOTE CONTROL	F16	66	17
BOLT, HEX, 8X385	F8	58	19	BRACKET, REMOTE CONTROL	F16	66	17
BOLT, HEX, 8X390	F8	58	19	BRACKET, REMOTE CONTROL	F16	66	17
BOLT, HEX, 8X395	F8	58	19	BRACKET, REMOTE CONTROL	F16	66	17
BOLT, HEX, 8X400	F8	58	19	BRACKET, REMOTE CONTROL	F16	66	17
BOLT, HEX, 8X405	F8	58	19	BRACKET, REMOTE CONTROL	F16	66	17
BOLT, HEX, 8X410	F8	58	19	BRACKET, REMOTE CONTROL	F16	66	17
BOLT, HEX, 8X415	F8	58	19	BRACKET, REMOTE CONTROL	F16	66	17
BOLT, HEX, 8X420	F8	58	19	BRACKET, REMOTE CONTROL	F16	66	17
BOLT, HEX, 8X425	F8	58	19	BRACKET, REMOTE CONTROL	F16	66	17
BOLT, HEX, 8X430	F8	58	19	BRACKET, REMOTE CONTROL	F16	66	17
BOLT, HEX, 8X435	F8	58	19	BRACKET, REMOTE CONTROL	F16	66	17
BOLT, HEX, 8X440	F8	58	19	BRACKET, REMOTE CONTROL	F16	66	17
BOLT, HEX, 8X445	F8	58	19	BRACKET, REMOTE CONTROL	F16	66	17
BOLT, HEX, 8X450	F8	58	19	BRACKET, REMOTE CONTROL	F16	66	17
BOLT, HEX, 8X455	F8	58	19	BRACKET, REMOTE CONTROL	F16	66	17
BOLT, HEX, 8X460	F8	58	19	BRACKET, REMOTE CONTROL	F16	66	17
BOLT, HEX, 8X465	F8	58	19	BRACKET, REMOTE CONTROL	F16	66	17
BOLT, HEX, 8X470	F8	58	19	BRACKET, REMOTE CONTROL	F16	66	17
BOLT, HEX, 8X475	F8	58	19	BRACKET, REMOTE CONTROL	F16	66	17
BOLT, HEX, 8X480	F8	58	19	BRACKET, REMOTE CONTROL	F16	66	17
BOLT, HEX, 8X485	F8	58	19	BRACKET, REMOTE CONTROL	F16	66	17
BOLT, HEX, 8X490	F8	58	19	BRACKET, REMOTE CONTROL	F16	66	17
BOLT, HEX, 8X495	F8	58	19	BRACKET, REMOTE CONTROL	F16	66	17
BOLT, HEX, 8X500	F8	58	19	BRACKET, REMOTE CONTROL	F16	66	17
BOLT, HEX, 8X505	F8	58	19	BRACKET, REMOTE CONTROL	F16	66	17
BOLT, HEX, 8X510	F8	58	19	BRACKET, REMOTE CONTROL	F16	66	17
BOLT, HEX, 8X515	F8	58	19	BRACKET, REMOTE CONTROL	F16	66	17
BOLT, HEX, 8X520	F8	58	19	BRACKET, REMOTE CONTROL			

PART NAME INDEX

Part name	Address	Page Ref.	Part name	Address	Page Ref.	Part name	Address	Page Ref.
POWER PIN, 10X16	D8	26	FUSE, MINI	G1	67	HANDLE, REMOTE CONTROL	H16	98
POWER PIN, 13X14	D3	21						
POWER PIN, 13X20	D3	21						
POWER PIN, 14X20	D7	25						
POWER PIN, 18X13	E1	35						
POWER PIN, 18X22	D3	21						
POWER PIN, 4,2X10,3	D13	34						
POWER PIN, 5X8	D7	25						
POWER PIN, 6X10	D8	26						
POWER PIN, 8X10	E1	35						
DRIVER 1, PLUS SCREW	H1	83						
DRIVER 3, MINUS SCREW	H1	83						
DRIVER, CHECK BOLT	H1	83						
DRIVER, MINI	H1	83						
DUCT A, SILENCER	G7	73						
DUCT B, SILENCER	G7	73						
END COVER, RR	E12	46						
E-RING, 10MM	F9	59						
E-RING, 12MM	F3	52						
E-RING, 15MM	G15	81						
E-RING, 3MM	I14	112						
E-RING, 4MM	F3	53						
E-RING, 6MM	F3	53						
E-RING, 7MM	I14	112						
FILTER ASSY, SPOOL VALVE	D15	33						
FILTER ASSY, VTC	D15	33						
FILTER B	G14	80						
FILTER COMP, ELECTRONIC AIR	E3	37						
FILTER, FUEL	F14	64						
FITTING, QUICK DISCONNECT	F14	64						
FLANGE COMP, OIL FILTER	D6	24						
FLOAT SET	E9	43						
FLYWHEEL COMP	D6	24						
FRAME COMP, MOUNTING	G12	78						
FUSE A	H4	86						
FUSE, BLADE	H5	87						
FUSE, MINI	G1	67						
GASKET A, INJECTOR BASE	E3	37						
GASKET B, IMPELLER	F8	58						
GASKET COMP, CYLINDER HEAD	D15	33						
GASKET COMP, EX, MANIFOLD	D4	22						
GASKET EX, GUIDE	G10	76						
GASKET, IDLE EX. PORT	G10	76						
GASKET, MOUNT CASE	D8	26						
GASKET, UPPER MOUNTING HOLDER	G12	78						
GAUGE COMP, OIL LEVEL	D8	26						
GEAR ASSY, INTERNAL	E16	50						
GEAR ASSY, PLANETARY	E16	50						
GEAR COMP, BEVEL	F10	60						
GEAR, BEVEL	F10	60						
GEAR, PINION	F8	58						
GENERATOR ASSY, A.C.	E12	46						
GRIP, REMOTE CONTROL HANDLE	H16	98						
GROMMET, REMOTE CONTROL CABLE	G5	71						
GROMMET, SILENCER	E5	39						
GROMMET, SILENCER DUCT	E5	39						
GROMMET, TA SENSOR	E5	39						
GROMMET, UNDER CASE	E5	39						
GROMMET, UNDER CASE	E5	39						
GROMMET, VAPOR SEPARATOR	E10	44						
GROMMET, WATER CHECK	G8	74						
GROMMET, WATER TUBE	D8	26						
GUIDE COMP, BALANCER SHAFT	D12	30						
GUIDE COMP, CAM CHAIN	D12	30						
GUIDE COMP, EX	G10	76						
GUIDE COMP, ROD	G14	80						
GUIDE, IN. VALVE	D15	33						
GUIDE, EX. VALVE	D15	33						
HANGER B, ENGINE	E12	46						
HANGER, ENGINE	D2	20						
HARNES ASSY, MAIN WIRE	F15	65						
HARNES ASSY, METER	H3	85						
HARNES ASSY, SWITCH PANEL	H12	94						
HARNES COMP	E10	44						
HEAD ASSY, CYLINDER	D15	33						
HOLDER	E9	43						
HOLDER ASSY, BRUSH	E12	46						
HOLDER COMP, BRUSH	E16	50						
HOLDER, BEARING	F12	62						
HOLDER, DRAIN TUBE	F3	53						
HOLDER, NEUTRAL LOCK	I8	106						
HOLDER, OIL FILTER	D6	24						
HOLDER, PROPELLER SHAFT	F10	60						
HOLDER, SHIFT ROD	F8	58						
HOLDER, UPPER MOUNTING	G12	78						
HOSE COMP, FUEL	E6	40						
HOSE KIT, RIGGING	H2	84						
HOSE, PRESSURE REGULATOR	E6	40						
HOUSING ASSY, L. INNER	H16	98						
HOUSING ASSY, R. INNER	I2	102						
HOUSING COMP, DUAL REMOTE CONTROL	I4	102						
HOUSING COMP, REMOTE CONTROL	I6	104						
HOUSING, IMPELLER	F8	58						
HOUSING, LEAD	H16	98						





PART NAME INDEX

Part name	Address	Page Ref.	Part name	Address	Page Ref.	Part name	Address	Page Ref.
TUBE, VINYL, 4X7X160	E5	39	WASHER, PLAIN, 12MM	G13	79	WASHER, WAVE, 26MM	G13	79
TUBE, WATER	F8	58	WASHER, PLAIN, 4MM	I13	111	WASHER, WAVE, 32MM	G13	79
TUBE, WATER RELIEF	G10	76	WASHER, PLAIN, 5MM	G1	67	WASHER, WAVE, 40MM	G13	79
						WHEEL, ACCELERATOR	I12	110
						WHEEL, CONTROL	I12	110
						WHEEL, LEAD	F7	57
VALVE ASSY, AIR BYPASS	E3	37	WASHER, PLAIN, 6MM	I13	111	WRENCH, BOX	H1	83
VALVE ASSY, ELECTRONIC AIR CONTROL	E3	37	WASHER, PLAIN, 8MM	E4	38	WRENCH, EYE, 19MM	H1	83
VALVE ASSY, RELIEF	G10	76	WASHER, PLAIN, 10MM	I13	111	WRENCH, HEX, 6MM	H1	83
VALVE ASSY, SPOOL	D15	33	WASHER, PLAIN, 12MM	I13	111	WRENCH, PLUG	H1	83
VALVE COMP, IN.	F14	64	WASHER, PLAIN, 14MM	I13	111	YOKES ASSY	G14	80
VALVE COMP, MANUAL	G14	18	WASHER, PLAIN, 16MM	I13	111	YOKES COMP.	E16	50
VALVE COMP, OUTLET	F14	64	WASHER, PLAIN, 18MM	I13	111			
VALVE COMP, RESERVOIR	G14	80	WASHER, PLAIN, 20MM	I13	111			
VALVE SET, FLOAT	E9	43	WASHER, PLAIN, 22MM	I13	111			
VALVE, CHECK	E6	40	WASHER, PLAIN, 24MM	I13	111			
VALVE, EX.	D12	30	WASHER, PLAIN, 26MM	I13	111			
VALVE, FLASH	G10	76	WASHER, PLAIN, 28MM	I13	111			
VALVE, IN.	D12	30	WASHER, PLAIN, 30MM	I13	111			
VALVE, RELIEF	D6	24	WASHER, PLAIN, 32MM	I13	111			
			WASHER, PLAIN, 34MM	I13	111			
			WASHER, PLAIN, 36MM	I13	111			
			WASHER, PLAIN, 38MM	I13	111			
			WASHER, PLAIN, 40MM	I13	111			
			WASHER, PLAIN, 42MM	I13	111			
			WASHER, PLAIN, 44MM	I13	111			
			WASHER, PLAIN, 46MM	I13	111			
			WASHER, PLAIN, 48MM	I13	111			
			WASHER, PLAIN, 50MM	I13	111			
			WASHER, PLAIN, 52MM	I13	111			
			WASHER, PLAIN, 54MM	I13	111			
			WASHER, PLAIN, 56MM	I13	111			
			WASHER, PLAIN, 58MM	I13	111			
			WASHER, PLAIN, 60MM	I13	111			
			WASHER, PLAIN, 62MM	I13	111			
			WASHER, PLAIN, 64MM	I13	111			
			WASHER, PLAIN, 66MM	I13	111			
			WASHER, PLAIN, 68MM	I13	111			
			WASHER, PLAIN, 70MM	I13	111			
			WASHER, PLAIN, 72MM	I13	111			
			WASHER, PLAIN, 74MM	I13	111			
			WASHER, PLAIN, 76MM	I13	111			
			WASHER, PLAIN, 78MM	I13	111			
			WASHER, PLAIN, 80MM	I13	111			
			WASHER, PLAIN, 82MM	I13	111			
			WASHER, PLAIN, 84MM	I13	111			
			WASHER, PLAIN, 86MM	I13	111			
			WASHER, PLAIN, 88MM	I13	111			
			WASHER, PLAIN, 90MM	I13	111			
			WASHER, PLAIN, 92MM	I13	111			
			WASHER, PLAIN, 94MM	I13	111			
			WASHER, PLAIN, 96MM	I13	111			
			WASHER, PLAIN, 98MM	I13	111			
			WASHER, PLAIN, 100MM	I13	111			
			WASHER, PLAIN, 102MM	I13	111			
			WASHER, PLAIN, 104MM	I13	111			
			WASHER, PLAIN, 106MM	I13	111			
			WASHER, PLAIN, 108MM	I13	111			
			WASHER, PLAIN, 110MM	I13	111			
			WASHER, PLAIN, 112MM	I13	111			
			WASHER, PLAIN, 114MM	I13	111			
			WASHER, PLAIN, 116MM	I13	111			
			WASHER, PLAIN, 118MM	I13	111			
			WASHER, PLAIN, 120MM	I13	111			
			WASHER, PLAIN, 122MM	I13	111			
			WASHER, PLAIN, 124MM	I13	111			
			WASHER, PLAIN, 126MM	I13	111			
			WASHER, PLAIN, 128MM	I13	111			
			WASHER, PLAIN, 130MM	I13	111			
			WASHER, PLAIN, 132MM	I13	111			
			WASHER, PLAIN, 134MM	I13	111			
			WASHER, PLAIN, 136MM	I13	111			
			WASHER, PLAIN, 138MM	I13	111			
			WASHER, PLAIN, 140MM	I13	111			
			WASHER, PLAIN, 142MM	I13	111			
			WASHER, PLAIN, 144MM	I13	111			
			WASHER, PLAIN, 146MM	I13	111			
			WASHER, PLAIN, 148MM	I13	111			
			WASHER, PLAIN, 150MM	I13	111			
			WASHER, PLAIN, 152MM	I13	111			
			WASHER, PLAIN, 154MM	I13	111			
			WASHER, PLAIN, 156MM	I13	111			
			WASHER, PLAIN, 158MM	I13	111			
			WASHER, PLAIN, 160MM	I13	111			
			WASHER, PLAIN, 162MM	I13	111			
			WASHER, PLAIN, 164MM	I13	111			
			WASHER, PLAIN, 166MM	I13	111			
			WASHER, PLAIN, 168MM	I13	111			
			WASHER, PLAIN, 170MM	I13	111			
			WASHER, PLAIN, 172MM	I13	111			
			WASHER, PLAIN, 174MM	I13	111			
			WASHER, PLAIN, 176MM	I13	111			
			WASHER, PLAIN, 178MM	I13	111			
			WASHER, PLAIN, 180MM	I13	111			
			WASHER, PLAIN, 182MM	I13	111			
			WASHER, PLAIN, 184MM	I13	111			
			WASHER, PLAIN, 186MM	I13	111			
			WASHER, PLAIN, 188MM	I13	111			
			WASHER, PLAIN, 190MM	I13	111			
			WASHER, PLAIN, 192MM	I13	111			
			WASHER, PLAIN, 194MM	I13	111			
			WASHER, PLAIN, 196MM	I13	111			
			WASHER, PLAIN, 198MM	I13	111			
			WASHER, PLAIN, 200MM	I13	111			
			WASHER, PLAIN, 202MM	I13	111			
			WASHER, PLAIN, 204MM	I13	111			
			WASHER, PLAIN, 206MM	I13	111			
			WASHER, PLAIN, 208MM	I13	111			
			WASHER, PLAIN, 210MM	I13	111			
			WASHER, PLAIN, 212MM	I13	111			
			WASHER, PLAIN, 214MM	I13	111			
			WASHER, PLAIN, 216MM	I13	111			
			WASHER, PLAIN, 218MM	I13	111			
			WASHER, PLAIN, 220MM	I13	111			
			WASHER, PLAIN, 222MM	I13	111			
			WASHER, PLAIN, 224MM	I13	111			
			WASHER, PLAIN, 226MM	I13	111			
			WASHER, PLAIN, 228MM	I13	111			
			WASHER, PLAIN, 230MM	I13	111			
			WASHER, PLAIN, 232MM	I13	111			
			WASHER, PLAIN, 234MM	I13	111			
			WASHER, PLAIN, 236MM	I13	111			
			WASHER, PLAIN, 238MM	I13	111			
			WASHER, PLAIN, 240MM	I13	111			
			WASHER, PLAIN, 242MM	I13	111			
			WASHER, PLAIN, 244MM	I13	111			
			WASHER, PLAIN, 246MM	I13	111			
			WASHER, PLAIN, 248MM	I13	111			
			WASHER, PLAIN, 250MM	I13	111			
			WASHER, PLAIN, 252MM	I13	111			
			WASHER, PLAIN, 254MM	I13	111			
			WASHER, PLAIN, 256MM	I13	111			
			WASHER, PLAIN, 258MM	I13	111			
			WASHER, PLAIN, 260MM	I13	111			
			WASHER, PLAIN, 262MM	I13	111			
			WASHER, PLAIN, 264MM	I13	111			
			WASHER, PLAIN, 266MM	I13	111			
			WASHER, PLAIN, 268MM	I13	111			
			WASHER, PLAIN, 270MM	I13	111			
			WASHER, PLAIN, 272MM	I13	111			
			WASHER, PLAIN, 274MM	I13	111			
			WASHER, PLAIN, 276MM	I13	111			
			WASHER, PLAIN, 278MM	I13	111			
			WASHER, PLAIN, 280MM	I13	111			
			WASHER, PLAIN, 282MM	I13	111			
			WASHER, PLAIN, 284MM	I13	111			
			WASHER, PLAIN, 286MM	I13	111			
			WASHER, PLAIN, 288MM	I13	111			
			WASHER, PLAIN, 290MM	I13	111			
			WASHER, PLAIN, 292MM	I13	111			
			WASHER, PLAIN, 294MM	I13	111			
			WASHER, PLAIN, 296MM	I13	111			
			WASHER, PLAIN, 298MM	I13	111			
			WASHER, PLAIN, 300MM	I13	111			
			WASHER, PLAIN, 302MM	I13	111			
			WASHER, PLAIN, 304MM	I13	111			
			WASHER, PLAIN, 306MM	I13	111			
			WASHER, PLAIN, 308MM	I13	111			
			WASHER, PLAIN, 310MM	I13	111			
			WASHER, PLAIN, 312MM	I13	111			
			WASHER, PLAIN, 314MM	I13	111			
			WASHER, PLAIN, 316MM	I13	111			
			WASHER, PLAIN, 318MM	I13	111			
			WASHER, PLAIN, 320MM	I13	111			
			WASHER, PLAIN, 322MM	I13	111			
			WASHER, PLAIN, 324MM	I13	111			
			WASHER, PLAIN, 326MM	I13	111			
			WASHER, PLAIN, 328MM	I13	111			
			WASHER, PLAIN, 330MM	I13	111			
			WASHER, PLAIN, 332MM	I13	111			
			WASHER, PLAIN, 334MM	I13	111			
			WASHER, PLAIN, 336MM	I13	111			
			WASHER, PLAIN, 338MM	I13	111			
			WASHER, PLAIN, 340MM	I13	111			
			WASHER, PLAIN, 342MM	I13	111			
			WASHER, PLAIN, 344MM	I13	111			
			WASHER, PLAIN, 346MM	I13	111			
			WASHER, PLAIN, 348MM	I13	111			
			WASHER, PLAIN, 350MM	I13	111			
			WASHER, PLAIN, 352MM	I13	111			
			WASHER, PLAIN, 354MM	I13	111			
			WASHER, PLAIN, 356MM	I13	111			
			WASHER, PLAIN, 358MM	I13	111			
			WASHER, PLAIN, 360MM	I13	111			
			WASHER, PLAIN, 362MM	I13	111			
			WASHER, PLAIN, 364MM	I13	111			
			WASHER, PLAIN, 366MM	I13	111			
			WASHER, PLAIN, 368MM	I13	111			
			WASHER, PLAIN, 370MM	I13	111			
			WASHER, PLAIN, 372MM	I13	111			
			WASHER, PLAIN, 374MM	I13	111			
			WASHER, PLAIN, 376MM	I13	111			
			WASHER, PLAIN, 378MM	I13	111			
			WASHER, PLAIN, 380MM	I13	111		</	

1 FOREWORD INDEX

2 ENGINE GROUP

3 FRAME GROUP

4 PART NUMBER INDEX

5 PART NAME INDEX
