

BF4.5B6

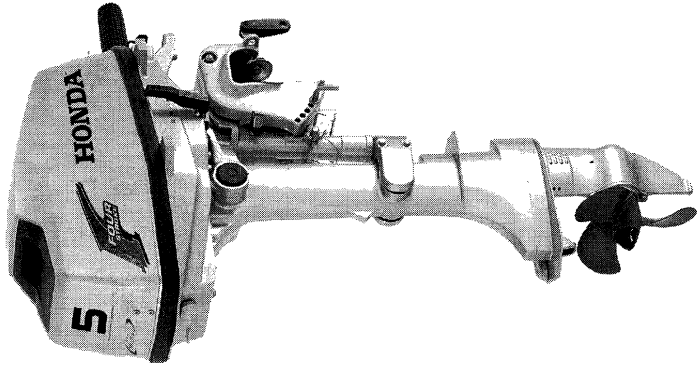
1
FOREWORD INDEX

2
ENGINE GROUP

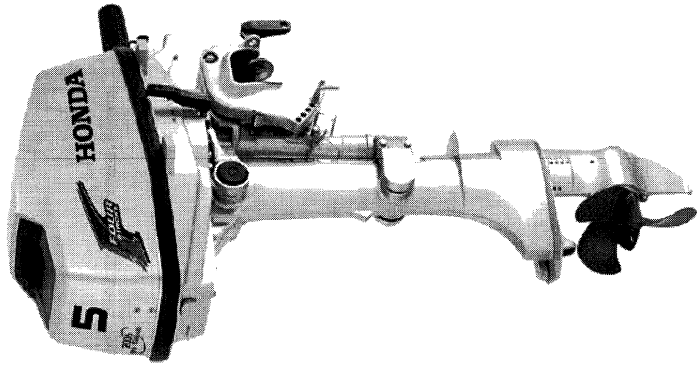
3
FRAME GROUP

4
PART NUMBER INDEX

5
PART NAME INDEX



BF5A4



BF5A2

Instruction for use of parts catalogue

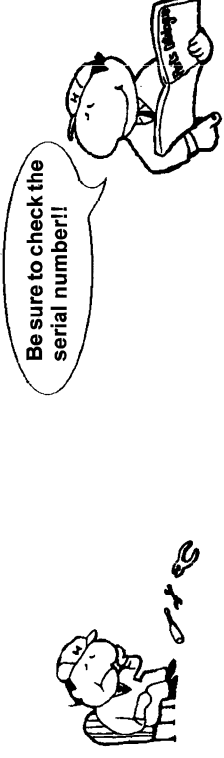
- This parts catalogue was prepared based on the latest information available as of October 10, 2005.
- See the parts catalogue news for any revision that is made after October 10, 2005.
- Always specify the part number when ordering a part.
- Check the model, type, serial numbers, color, maker, and the size as needed before ordering a part.
- Note that the illustrations (part drawings) can differ from the actual parts in shape. They are given just to help you to refer to the parts.
- When modifications or additions to this parts catalogue are made, a revised edition will be issued at an appropriate time, with successively progressing revision numbers on the cover. We recommend obtaining such revisions in order to keep your parts catalogue up-to-date at all times. To check whether a parts catalogue revision has been issued, please contact your Honda distributor.

CONTENTS

	Page	Address No.
● Instruction for use of parts catalogue	1	B 1
● How to refer to the part information	2	B 2
● Part catalogue structure	3	B 3
● When the parts were revised	4	B 4
● Abbreviations used in the parts catalogue	4	B 4
● How to check the part block and serial numbers	5	B 5
● Models, parts catalogue codes and applicable serial numbers	6	B 6
● Features of each type	8	B 8
● Fuel hose, general purpose hoses and vinyl hose	10	B10
● FLAT RATE SERVICE TIME	11	B11
● Illustrated index	16	B16
● ENGINE GROUP	20	D 1
● FRAME GROUP	42	F 1
● PART NO. INDEX	81	I 1
● PART NAME INDEX	84	J 1

Initial version issue date June 10, 2001
Honda Motor Co., Ltd.

When the parts were revised

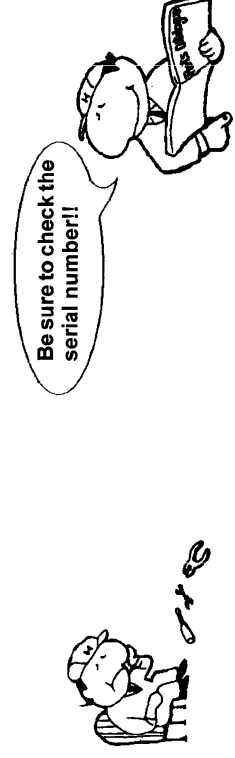


Abbreviations used in the parts catalogue

• The following abbreviations are used in the parts name column.

- A Ampere
- A.C. Alternating current
- ASSY. Assembly
- AT. Automatic transmission
- C.D.I. Capacitive discharge ignition
- COMP. ... Complete
- D.C. Direct current
- EX. Exhaust
- G.F.C.I. ... Ground fault circuit interruptor
- HEX. Hexagonal
- H.S.T. Hydrostatic transmission
- FR. Front
- IN. Inlet
- L (100L) .Link (100 Links)
- L. Left
- MM Millimeter
- MT. Manual Transmission
- P.T.O. Power take off
- R. Right
- RR. Rear
- STD. Standard
- T (22T) ... Tooth (22 Teeth)
- V Volt
- W Watt

When the parts were revised

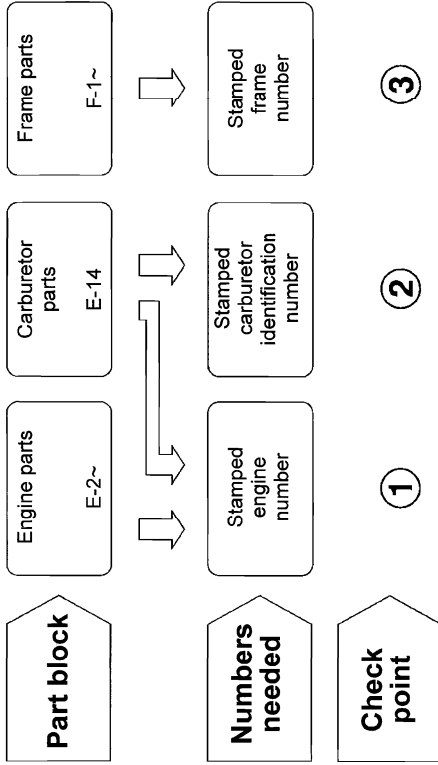


Ref. No.	Part No.	Description	Reqd. QTY							Serial No.	
			BF	BFP	BF	BFP	BF	BFP	BF		BFP
1	12166-ZW9-000	STOPPER, ENGINE SIDE	2	2	2	2	2	2	2	2	
2	12210-ZW9-000ZA	HEAD COMP., CYLINDER *NH8*	1	1	1	1	1	1	1	1	
3	12251-ZW9-003	GASKET, CYLINDER HEAD	1	1	1	1	1	1	1	1	
4	12310-ZW9-000	COVER COMP., HEAD	1	1	1	1	1	1	1	1	
5	12312-ZW9-000	PACKING, HEAD COVER	1	1	1	1	1	1	1	1	
6	15611-921-000	CAP., OIL (NO GAUGE)	1	1	1	1	1	1	1	1	
7	16617-ZW9-000	HOLDER, CABLE (###)	1	1	1	1	1	1	1	1	
	16617-ZW9-010		1	1	1	1	1	1	1	1	

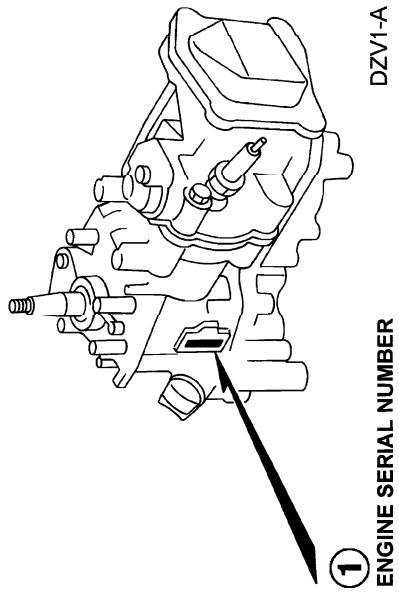
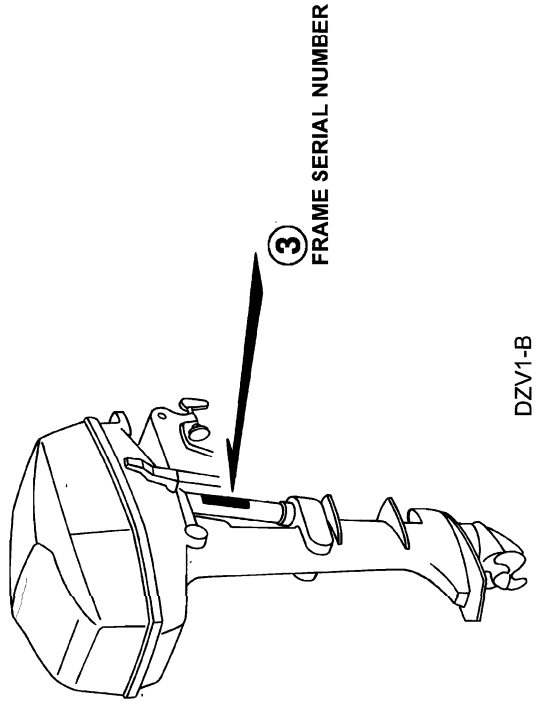
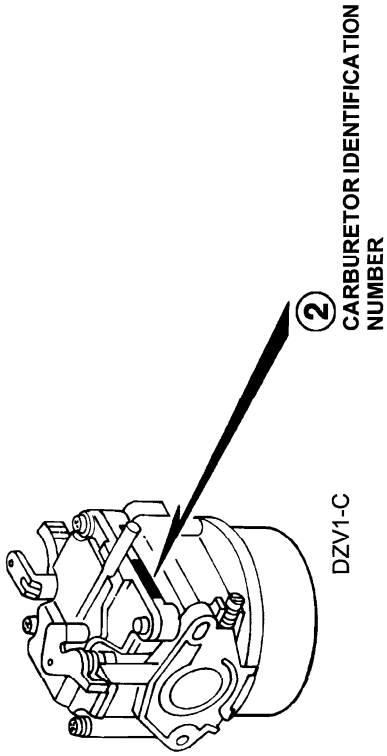
The number has been When shown at the left side, When shown at the right side, used from the initial model it is applicable to the models of No.1001801 and the up to No.1001800. without revision. subsequent numbers.

• The parts listed with "###" at the end of the parts name have limited supply period (parts not for sale).

How to check the part block and serial numbers



1



Models, parts catalogue codes and applicable serial numbers

• Models, parts catalogue codes and applicable serial Nos. given in this parts catalogue can be identified as follows.

Model	Type	Parts catalogue type	Engine		Applicable engine serial No.	Applicable frame serial No.	Applicable carburetor identification No.
			Model	Type			
BF4.5B2	LGB	LGB	BF4.5B	SECG	BADE-1200001~ 1999999	BASL-1500001~ 1999999	BC10A A/B
	SGB	SGB					
BF4.5B4	LGB	LGB	BF4.5B4	SECG	BADE-2000001~	BASL-2000001~	BC10A C
	SGB	SGB					
BF4.5B6	LBK	LBK	BF4.5B6	SEC2	BADE-2000001~	BASS-2000001~	BC05F A
	SBK	SBK					
	LB	LB	BF5AM	SEC	BADE-1200001~ 1999999	BADL-1700001~ 1999999	BC05B D
	LC	LC					
	LD	LD	BF5AW	SE	BADE-1300001~ 1399999	BADS-1700001~ 1799999	BC05C B
	LE	LE					
BF5A2	LEB	LEB	BF5AM	SEN	BADE-1200001~ 1999999	BADL-1700001~ 1999999	BC05B D
	SB	SB					
	SC	SC	BF5AW	SE	BADE-1300001~ 1399999	BADS-1700001~ 1799999	BC05C B
	SD	SD	BF5AM	SEN	BADE-1200001~ 1999999	BADS-1700001~ 1999999	BC05B D
	SE	SE					
	SEB	SEB		SEC			

Model	Type	Parts catalogue type	Engine		Applicable engine serial No.	Applicable frame serial No.	Applicable carburetor identification No.
			Model	Type			
BF5A3	LC	LC	BF5AW	SE	BADE-1300001~ 1999999	BADS-1800001~ 1999999	BC05C B
	SC	SC					
BF5A4	LB	LB	BF5A4	SEC	BADE-2000001~	BADL-2000001~	BC05D A
	LBU	LBU		SEC1			
	LD	LD		SE			
	LE	LE		SEC			
	LEB	LEB		SE1			
	LU	LU		SEC			
	SB	SB		SEC1			
	SBU	SBU		SE			
	SD	SD		SEC			
	SEB	SEB		SE1			
SU	SU						
							BC05F A

* Of carburetor identification numbers, only the portions underlined in the example below are used for registration.

BC10A A KC †

Features of each type

• See the following table for the features of each type. (Items in brackets are optional)

Specifications	Model Type	BF4.5B2		BF4.5B4		BF4.5B6	
		LGB	SGB	LGB	SGB	LBK	SBK
Charge receptacle kit	445 mm		●		●		●
	572 mm	●		●		●	
Propeller	3-200 mm X 190 mm	●	●	●	●	●	●
	3-200 mm X 170 mm	(●)	(●)	(●)	(●)	(●)	(●)
Fuel tank	Standard	●	●	●	●		
	Plastics			●	●	●	●

Specifications	Model Type	BF5A2										BF5A3		
		LB	LC	LD	LE	LEB	SB	SC	SD	SE	SEB	LC	SC	
Charge receptacle kit	445 mm		(●)	(●)	(●)			(●)	(●)	(●)	●			●
	572 mm	●	●	●	●	●						●		
Propeller	3-200 mm X 190 mm	●	●	●	(●)	(●)	●	●	(●)	(●)	●	●	●	●
	3-200 mm X 170 mm	(●)	(●)	(●)	●	●	(●)	(●)	(●)	(●)	●	●	(●)	(●)
Fuel tank	Standard	●		●							●			
	Plastics		●		●	●						●	●	●



Model Type		BF5A4												
		LB	LBU	LD	LE	LEB	LU	SB	SBU	SD	SE	SEB	SU	
Specifications	Charge receptacle kit			(●)	(●)		(●)			(●)	(●)		(●)	(●)
	Transom height							445 mm						
Propeller	572 mm	●	●	●	●	●	●							
	3-200 mm X 190 mm	●	(●)	●	(●)	(●)	(●)						(●)	(●)
Fuel tank	3-200 mm X 170 mm	(●)	●	(●)	●	●	(●)						●	●
	Standard	●		●										
	Plastics	●	●	●	●	●	●						●	●

Fuel hose, general purpose hoses and vinyl hose

- The standard part fuel hose, general purpose hose and vinyl hose may be substituted by the coiled bulk part.
- When ordering the standard part fuel hose, general purpose hose and vinyl hose use the bulk part number written in the parts catalog in brackets () underneath the part name.
- When exchanging the hose, cut and use at the specified length as mentioned in the part name.
(For the method of cutting the bulk part, and method of filling out orders etc., please refer to the instructions issued with the bulk part.)

Bulk part number of fuel hose, general purpose hose and vinyl hose.

Example: 9 5 0 0 1 - 7 5 0 0 1 - 5 0 M

Bulk part number:
Refers to the bulk part.

Marking code (fuel hose and general purpose hose)
Change code (Vinyl hose)
Indicates number mark or change sequence, however, the code for the bulk part must be strictly 0 (zero).

Types of code:

- Fuel hose
 - 1: Red outside braid (3 mm inside dia. only)
 - 2: Black inside braid
 - 3: Red (3 mm inside dia. only)
 - 4: Ash gray with red stripe (3 mm inside dia. only)
 - 5: Black
- General hose
 - 1: Ash gray
 - 2: Ash gray
 - 3: Black
 - 4: Black
 - 5: Black
- Vinyl hose
 - 1: Clear
 - 2: Black
 - 3: Light red
 - 4: Light red
 - 5: Pale black
 - 6: Pale black
 - 7: Pale black

Lengths:

- 00T: 1 m (standard)
 - 003: 3 m
 - 008: 8 m
- Application or specification of some parts is not settled.

ID code: (fuel hose and general purpose hose)

30: 3.0 mm	50: 5.0 mm
35: 3.5 mm	55: 5.3 mm, 5.5 mm
45: 4.5 mm	65: 6.5 mm

ID./OD. code: (vinyl hose)

- | | |
|------------------------|-------------------------|
| 01: ID. 2.9 OD. 6.8 mm | 12: ID. 5.0 OD. 7.0 mm |
| 03: ID. 3.0 OD. 6.0 mm | 10: ID. 5.0 OD. 8.0 mm |
| 05: ID. 3.5 OD. 6.5 mm | 11: ID. 5.0 OD. 9.0 mm |
| 07: ID. 4.0 OD. 7.0 mm | 14: ID. 6.0 OD. 9.0 mm |
| 08: ID. 4.5 OD. 6.5 mm | 17: ID. 7.0 OD. 9.0 mm |
| 09: ID. 4.5 OD. 8.0 mm | 19: ID. 7.0 OD. 11.0 mm |

Hose type:

- 1: Fuel hose
- 3: Vinyl hose
- 5: General hose

- 11: 11 mm
- 91: 12 (outside dia. 15) mm
- 92: 12 (outside dia. 16) mm
- 12: 12 (outside dia. 17) mm
- 14: 14 mm
- 17: 17 mm

- 70: 7.0 mm
- 75: 7.3 mm, 7.5 mm
- 80: 8.0 mm

- 21: ID. 8.0 OD. 9.0 mm
- 23: ID. 8.0 OD. 12.0 mm
- 25: ID. 9.0 OD. 11.0 mm
- 27: ID. 9.0 OD. 13.0 mm
- 33: ID. 10.0 OD. 14.0 mm
- 36: ID. 11.0 OD. 13.0 mm
- 37: ID. 11.0 OD. 15.0 mm
- 38: ID. 12.0 OD. 13.0 mm
- 39: ID. 12.0 OD. 14.0 mm
- 40: ID. 12.0 OD. 16.0 mm
- 43: ID. 13.0 OD. 15.0 mm
- 45: ID. 14.0 OD. 18.0 mm
- 50: ID. 16.0 OD. 19.0 mm
- 55: ID. 17.5 OD. 20.5 mm
- 60: ID. 22.0 OD. 27.0 mm

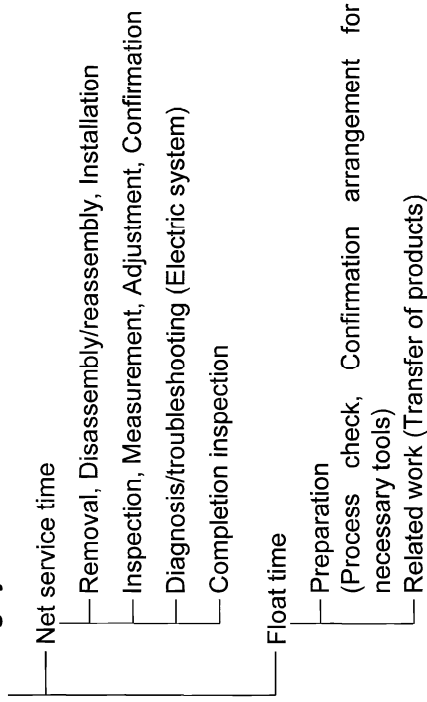
© CAUTION: it is DANGEROUS to confuse the fuel hose with the general purpose hose or vinyl hose.

Never use a general purpose hose or vinyl hose in place of a fuel hose or vice versa. Always use the correct bulk part in the parts catalogue, according to the service manual or the instructions issued with the bulk part.

FLAT RATE SERVICE TIME

Flat rate service time (FRT) means the standard time required to service a product, which is listed in this manual to help the dealers control the actual working process and calculate the service charge by using it as a guide.

FRT setting system



* Float time is set by multiplying the net service time by a given coefficient.

Editorial style

The service items shown in the text are listed with the exchange work time for the repair sales parts as the subject. Other representative service items not using repair parts (removal/installation, adjustment, inspection/measuring, and other work) are listed collectively in the list in the preface, classified according to the work.

FRT setting standard

- Decimal system (in unit of 0.1) is adopted to set FRT as it is convenient to calculate the wage.
Example: (0.1) → 6 minutes, (0.2) → 12 minutes
[Labor cost per hour] x [FRT] = [Wage]
- FRT is set with a hand tool.
- Service items and FRT can be subject to change depending on development of tools and service equipment and improvement in service procedure.



Work procedure

- As the work procedure is set with the work time according to the method in the separate Service Manual, refer to this Manual as required.
- Work methods permitting servicing in the shortest time still permitting assurance of safe work and product warranty are used for the setting of service items not listed in the Service Manual.
- Work basically is to be performed by one person, and when two or more people are required, setting is done as the total time for the number of people.
- The set value for the technological level of the workers uses a person with three years of experience in the repair of Honda products as the standard.
- Special tools and service equipment used to set FRT are those specified or recommended in Service Manual.

Service item whose FRT is not presented

- Accessories and service parts that are not listed to use in this manual.
 - Locations with little aging deterioration or breakage during normal use.
 - Service work that can be finished by one touch.
 - Service work that is seldom done (i.e. extremely small causes of trouble and service frequency).
 - Products and parts whose location for installation differs according to its status of use and application.
- * When FRT is not presented, please calculate wages based on appropriate actual work time.

Operation not included of FRT

- Oil and coolant water draining, Waiting time for warming up operation and etc..
- Additional operation that involves removal/installation of standard exterior equipment.
- Indirect time spent for service by visiting the customer, trade-in, and delivery.
- Indirect time required for ordering and delivery of parts.
- Cost for grease, adhesive agent, etc. used for service work.

Explanation of FRT by using an example
 (The example may differ from the actual presented items)

Ref. No.	(Relative ref. Number)	F.R.T.
1	Description	2
2	(1, 3, 4, 7)	
3	VALVE, INTAKE.....4.1	
	• NOTE: OHV type	7
	• Includes: Engine removal and installation)	
	One head (intake all) add	5
1.4	

- ① Reference No. of the illustration of part that shows location of the replacement work.
- ② FRT is an abbreviation of Flat Rate Time indicating the standard service time required for the replacement.
- ③ LON is an abbreviation of Labor Operation Number, and it is a classification of the service items by the work unit code.

The same operation code is used regardless of the models.

Standard operation is indicated with 6 digits code, and additional operation is indicated with 7 digits code.

- ④ Indicating the intake valve replacement and FRT4.1.
- ⑤ Indicating FRT1.4 that will be added when additional operation (whole intake side of one cylinder head) is done in association with intake valve replacement.

- ⑥ Indicating work condition or application condition of the service item.
 - ⑦ Indicating work contents that are included in the service item.
 - ⑧ Indicating a reference No. whose operation and time are the same as FRT4.1 for the intake valve.
- (The application range is limited to the service items without an LON setting within a same block.)

How to refer to the service item by using the sample
 (intake valve replacement)

Open to the page of the block where the intake valve's spare part illustration is shown.



Look for the intake valve illustration, and refer to the service item and FRT that agree with the reference No.

Indication mark for the listing of service items that continues to the following page

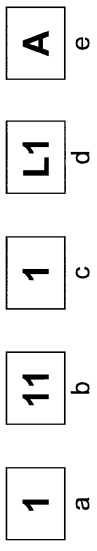
Ref. No.	L.O.N.	(Relative ref. Number) Description	F.R.T.
2	1111L1	VALVE, INTAKE..... 4.1	
	.	.	.
	.	.	.

↑ Mark indicated at the last line.

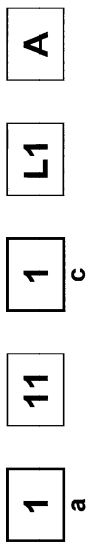
Indication of the block with no setting of FRT

Ref. No.	L.O.N.	(Relative ref. Number) Description	F.R.T.
		NO INFORMATION	

• LON code system



- a) Category code..... Engine
- b) Location/function code Engine upper
- c) Operation code..... Replace
- d) Operation sequence number (Unit code can be shown with alphabet) Intake valve
 (No regular rule of code)
- e) Additional code One head (intake all)
 (No regular rule of code)



— a) Category codes and classification

Code	Category
1	Engine
2	Power drive
3	Fuel & Exhaust
4	Frame & Body
5	Steering
6	Electrical
7	Axle & Brake
8	Control system
9	-
0	Attachments

c) Operation codes and classification

Code	Operation category
1	Replace, Removal/Installation, Change
2	Overhaul
3	Adjust, Rotation
4	(Paint-related work: Top-coat)
5	Test, Inspect/diagnose, Measurement
6	(Overhaul-related work: Rebore)
7	(Overhaul-related work: Reseal)
8	(Resurface)
9	(Paint-related work: Refinish)
0	Repair, Cleaning, Air bleeding

Major service items without using spare parts

- (1) Removal/Installation, (2) Adjustment, (3) Inspection/Measurement, (4) Overhaul, (5) Other work

E: Engine, T: Transmission, D: Drive system, B: Body and related parts

(1) Removal/Installation

Set with the parts configuration in the status of being removed from the product.

LON	DESCRIPTION	FRT
1001A2	ENGINE-REMOVAL/INSTALLATION	0.7
E 1111L3	CYLINDER HEAD ASSEMBLY-REMOVAL/INSTALLATION	0.9
D 2101S4	GEAR CASE-REMOVAL/INSTALLATION	0.2

(2) Adjustment

LON	DESCRIPTION	FRT
E 1113A1	VALVE CLEARANCE-ADJUSTMENT NOTE: For 1 product	0.4
3113A2	CARBURETOR IDLE-ADJUSTMENT	0.3

(3) Inspection, Measurement, Cleaning

LON	DESCRIPTION	FRT
1100A0	ENGINE OIL STRAINER-CLEANING INCLUDES: Engine oil-change INCLUDES: Engine-removal/installation	0.9
E 1105A0	ENGINE OIL-INSPECTION	0.1
6140A0	SPARK PLUG-ADJUSTMENT/CLEANING NOTE: For 1 product	0.1

(4) Overhaul

Work condition: The required Measurements, inspections, adjustments, and cleaning/washing of each part are performed, including the main body removal/installation work and the replacement of defective parts.

LON	DESCRIPTION	FRT
E 3112A0	CARBURETOR-OVERHAUL INCLUDES: All necessary adjustment	0.6

(5) Other work

LON	DESCRIPTION	FRT
E 1101E1	ENGINE OIL-CHANGE INCLUDES: Engine oil-inspection	0.2
D 2101S3	GEAR CASE OIL-CHANGE	0.2

ENGINE GROUP			
E-2 D 1 CYLINDER HEAD <p style="text-align: right; font-size: small;">AV17-002000</p>	E-3 D 4 CYLINDER BARREL <p style="text-align: right; font-size: small;">ZV17-003008</p>	E-6 D 6 OIL PAN <p style="text-align: right; font-size: small;">ZV17-006004</p>	B16
E-7 D 8 CRANKSHAFT/PISTON <p style="text-align: right; font-size: small;">ZV17-007000</p>	E-9 D 9 CAMSHAFT <p style="text-align: right; font-size: small;">ZV17-008000</p>	E-11 D12 RECOIL STARTER <p style="text-align: right; font-size: small;">ZV17-011000</p>	
E-14 D15 CARBURETOR <p style="text-align: right; font-size: small;">ZV17-014000</p>	E-18 E 2 FUEL PUMP <p style="text-align: right; font-size: small;">ZV17-018004</p>	E-19 E 3 FLYWHEEL/IGNITION COIL <p style="text-align: right; font-size: small;">ZV17-019003</p>	

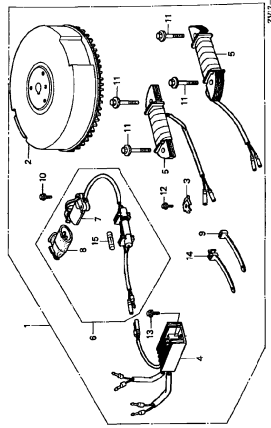
C 1

ENGINE GROUP

E 5

EOP-2

CHARGE RECEPTACLE KIT



2

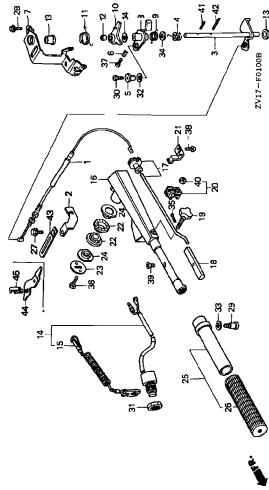
FRAME GROUP

C 2

F-1

STEERING HANDLE/THROTTLE CABLE

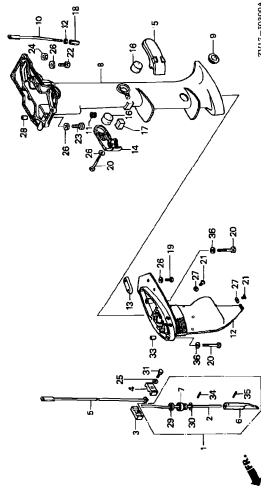
F 1



F-3

EXTENSION CASE/GEAR CASE

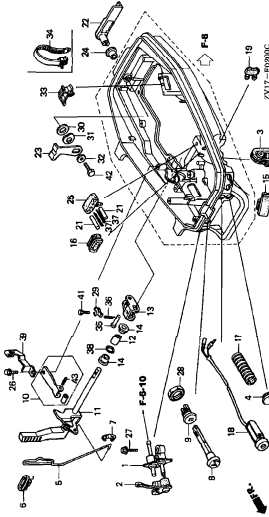
F 7



F-2

SHIFT SHAFT/COVER LOCK LEVER

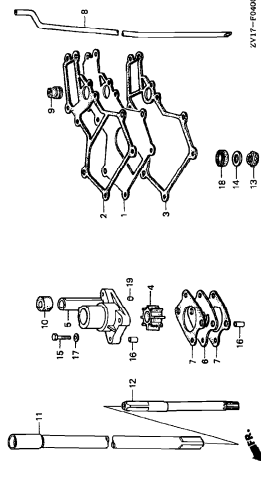
F 3



F-4

VERTICAL SHAFT/WATER PUMP

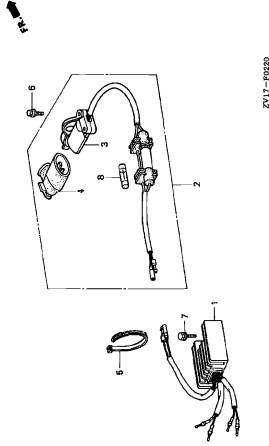
F 9



F-2-20

REGULATOR RECTIFIER

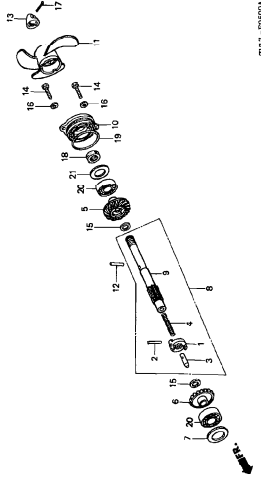
F 5



F-5

PROPELLER/PROPELLER SHAFT

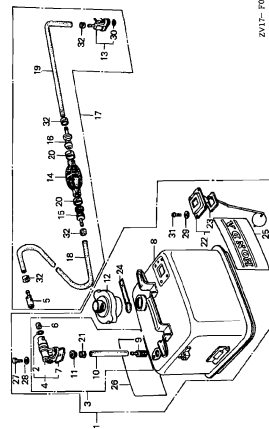
F10



F-6

FUEL TANK(STANDARD)

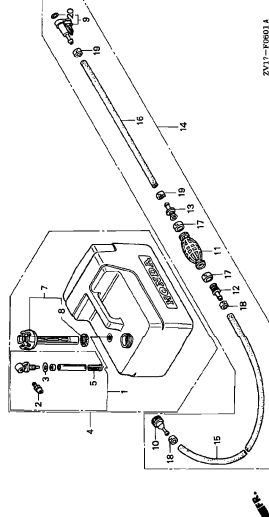
F12



F-6-1

FUEL TANK(PLASTICS)

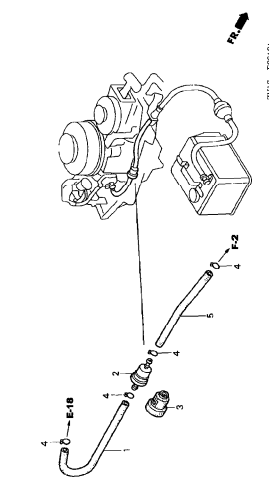
G 3



F-6-10

FUEL STRAINER

G 8

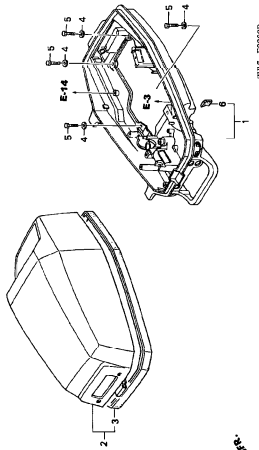


FRAME GROUP

C 3

F-8

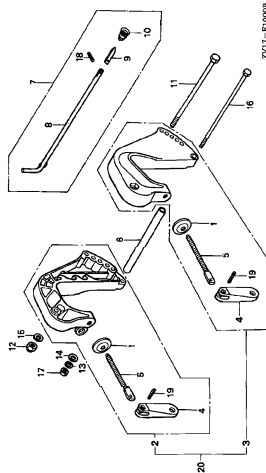
ENGINE COVER



2V17-F1300B

F-10

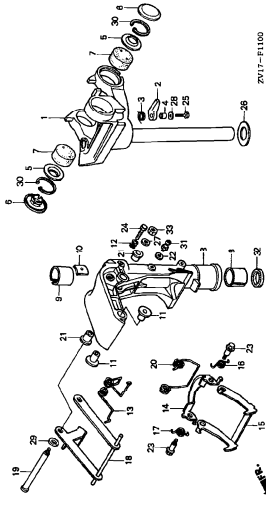
STERN BRACKET



2V17-F1000B

F-11

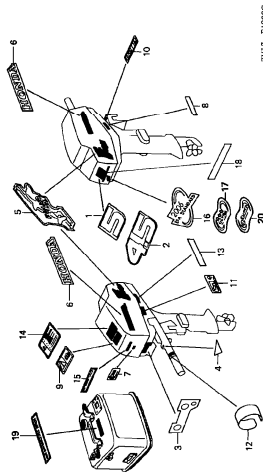
MOUNT FRAME/SWIVEL CASE



2V17-F1100

F-12

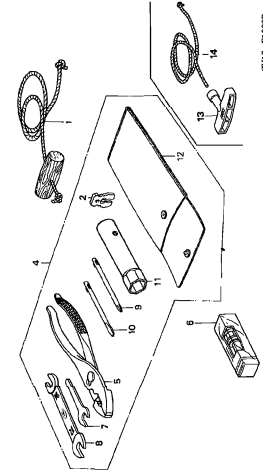
LABEL



2V17-F1300C

F-13

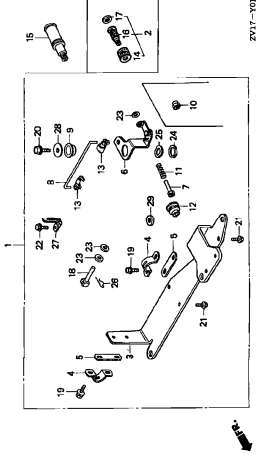
TOOL



2V17-F1000B

FOP-1

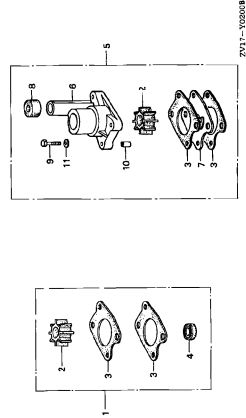
REMOTE CONTROL KIT/WATER HOSE JOINT KIT



2V17-V0200B

FOP-2

WATER PUMP IMPELLER KIT



2V17-V0200B

FOP-3

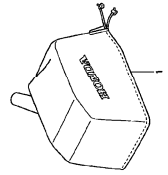
PROPELLER



2V17-V0200

FOP-4

BODY COVER

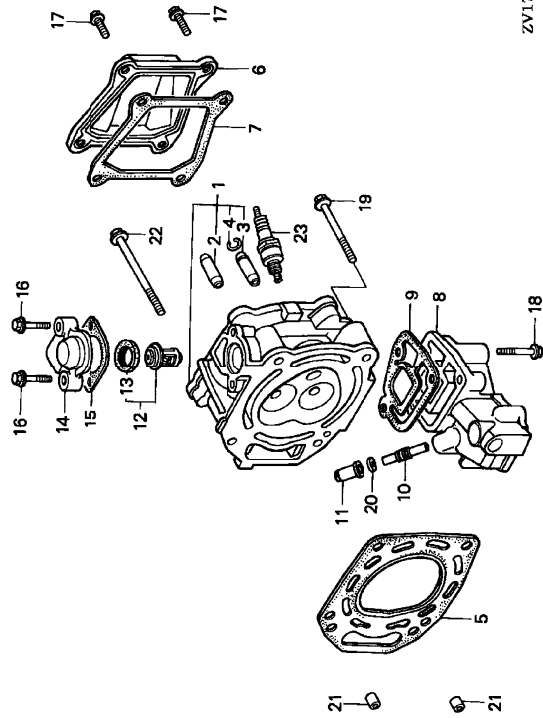


2V17-V0400

H 3



CYLINDER HEAD



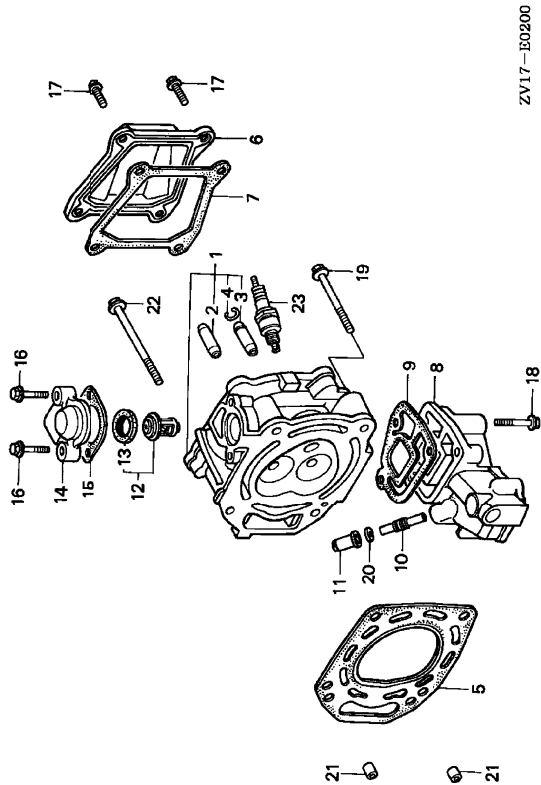
ZV17-100200

Ref. No.	L.O.N.	(Relative ref. Number) Description	F.R.T.
1	1111N3	HEAD, CYLINDER -INCLUDES: Engine removal and installation -INCLUDES: Valve clearance adjustment and reface	1.2
2	1111E9	GUIDE, INTAKE VALVE -INCLUDES: Engine removal and installation -INCLUDES: Valve clearance adjustment	1.1
	1111E9E	Replace intake and exhaust all add	0.2
3	1111E8	GUIDE, EXHAUST VALVE -INCLUDES: Engine removal and installation -INCLUDES: Valve clearance adjustment	1.1
	1111E8E	Replace intake and exhaust all add	0.2
5	1111N4	GASKET, CYLINDER HEAD -INCLUDES: Engine removal and installation	0.9
6	1111D5	COVER, CYLINDER HEAD AND/OR PACKING, HEAD COVER	0.1

Ref. No.	Part No.	Description	Reqd. QTY						Serial No.	Parts catalogue code
			BF	BF	BF	BF	5A	4		
1	12200-ZV1-405	HEAD COMP., CYLINDER	1	1	1	1	1			
	12200-ZV1-415								
2	12204-ZV1-305	GUIDE, IN. VALVE (O.S.)	(1)	(1)	(1)	(1)	(1)			
	12204-ZE1-306								
3	12205-ZV1-305	GUIDE, EX. VALVE (O.S.)	(1)	(1)	(1)	(1)	(1)			
	12205-ZE1-315								
4	12216-ZE5-300	CLIP, VALVE GUIDE	1	1	1	1	1			
5	12251-ZV1-850	GASKET, CYLINDER HEAD	1	1	1	1	1			
6	12311-ZV1-000	COVER, HEAD	1	1	1	1	1			
	12311-ZV1-010								
								2000899		
								LB,LD,LE,LEB,SB,SD,SE,SEB		
								2000899		
								LB,LD,LE,LEB,SB,SD,SE,SEB		
								2000900		
								LB,LD,LE,LEB,SB,SD,SE,SEB		
								2000900		
								LB,LD,LE,LEB,SB,SD,SE,SEB		
7	12391-ZV1-850	PACKING, HEAD COVER	1	1	1	1	1			
8	18110-ZV1-000ZA	MANIFOLD COMP., EX. *NH8*	1	1	1	1	1			
	18110-ZV1-C50ZADARK GRAY *NH8*								
9	18115-ZV1-850	GASKET, EX. MANIFOLD	1	1	1	1	1			
	18455-ZV3-680	PIPE, SAMPLING PROBE	1	1	1	1	1			
11	18458-881-C40	CAP, SAMPLING PROBE	1	1	1	1	1			
12	19300-881-761	THERMOSTAT ASSY.	1	1	1	1	1			
13	19302-921-003	RUBBER, THERMOSTAT	1	1	1	1	1			
14	19310-ZV1-000ZA	COVER, THERMOSTAT *NH8*	1	1	1	1	1			

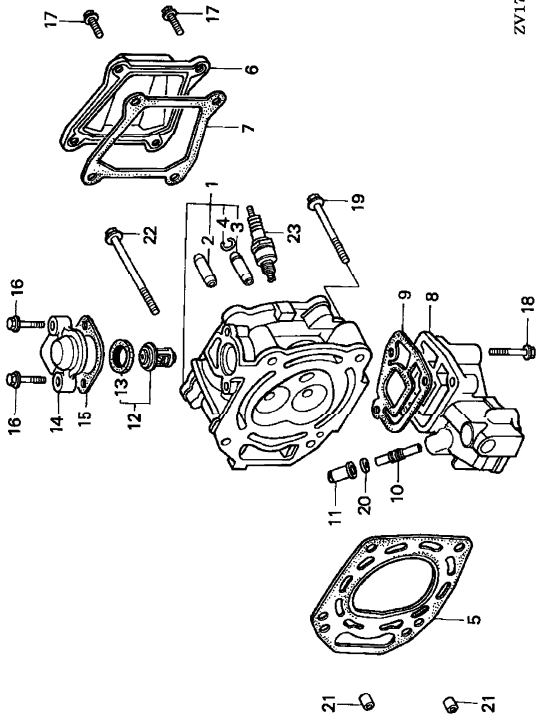


Ref. No.	L.O.N.	(Relative ref. Number)	Description	F.R.T.
8	3131C2	MANIFOLD, EXHAUST	0.8
. INCLUDES: Engine removal and installation				
9	3131B3	GASKET, EXHAUST MANIFOLD	0.8
. INCLUDES: Engine removal and installation				
10	3131M2	PIPE, SAMPLING PROBE	0.2
12	1141D0	THERMOSTAT	0.2
14	1141A6	COVER, THERMOSTAT AND/OR PACKING	0.2
23	6141C1	PLUG, SPARK	0.1

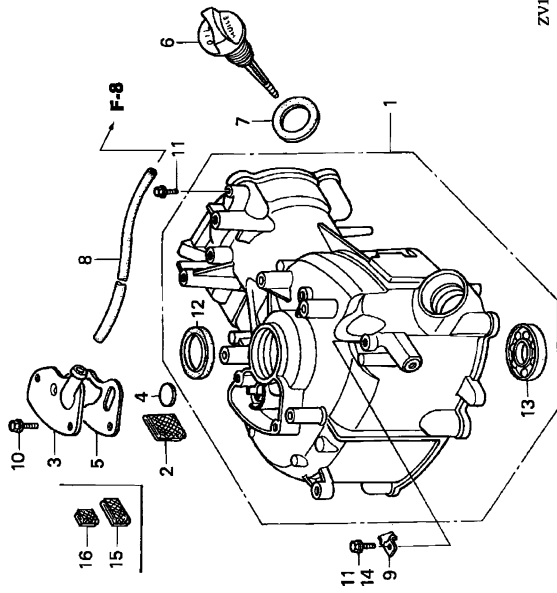


ZV17-150200

Ref. No.	Part No.	Description	Reqd. QTY						Serial No.	Parts catalogue code
			BF	BF	BF	BF	5A	4		
15	19351-ZV1-850	PACKING, THERMOSTAT COVER	1	1	1	1	1	1		
16	90018-ZV1-000	BOLT, FLANGE, 6X23	2	2	2	2	2	2	1305887	LC,SC
	90018-ZV1-010	2	2	2	2	2	2	1247740	LC,SC
		2	2	2	2	2	2	1305887	LB,LD,LE,LEB,SB,SD,SE,SEB
17	90122-ZV1-000	BOLT, FLANGE, 6X12	4	4	4	4	4	4	1247741	LC,SC
	90122-ZV1-010	4	4	4	4	4	4	1305888	LB,LD,LE,LEB,SB,SD,SE,SEB
18	90123-ZV0-000	BOLT, FLANGE, 6X32	3	3	3	3	3	3	1247740	LC,SC
	90123-ZV0-010	3	3	3	3	3	3	1247740	LB,LD,LE,LEB,SB,SD,SE,SEB
		3	3	3	3	3	3	1305887	LC,SC
19	90127-ZV1-000	BOLT, FLANGE, 8X60	2	2	2	2	2	2	1247741	LC,SC
		2	2	2	2	2	2	1305888	LB,LD,LE,LEB,SB,SD,SE,SEB
		2	2	2	2	2	2	1247740	LC,SC
		2	2	2	2	2	2	1247740	LB,LD,LE,LEB,SB,SD,SE,SEB
		2	2	2	2	2	2	1305968	LC,SC



Ref. No.	Part No.	Description	Reqd. QTY				Serial No.	Parts catalogue code
			BF	BF	BF	BF		
19)	90127-ZV1-010	BOLT, FLANGE, 8X60	2	2	2	2	1247741	
20	90441-035-000	WASHER, SEALING, 14MM	1	1	1	1	1247741	LB,LD,LE,LEB,SB,SD,SE,SEB
21	94301-10160	DOWEL PIN, 10X16	2	2	2	2	1305969	LC,SC
22	95923-08090-09	BOLT, FLANGE, 8X90	2	2	2	2		
23	98079-55817	PLUG, SPARK (BPR5E5)	1	1	1	1		
	98079-55827	PLUG, SPARK (M16EPR-U)	1	1	1	1		



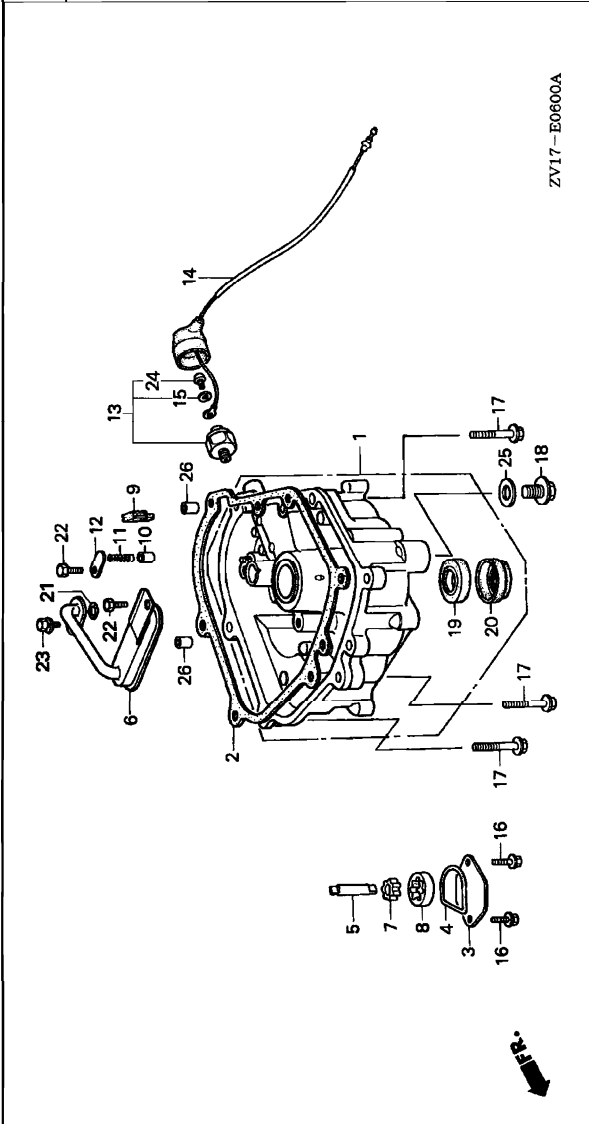
ZV17-E03008



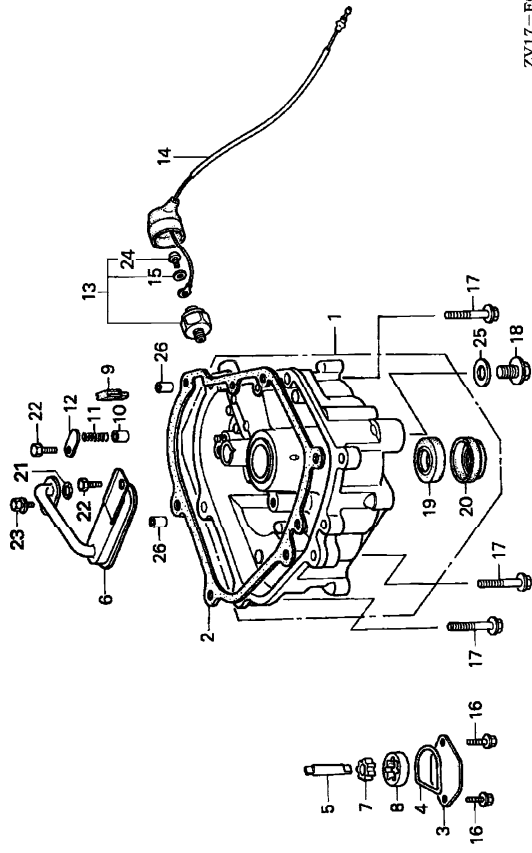
Ref. No.	Part No.	Description	Reqd. QTY						Serial No.	Parts catalogue code
			BF 4.5B 2	BF 4 4	BF 5A 2	BF 5A 3	BF 5A 4	BF 5A 4		
14	90019-ZV1-010	BOLT, FLANGE, 5X10	1	-	-	-	-	1247741		
15	12367-ZV1-F00	FILTER A, BREATHER	-	1	-	1	-	1247741	LB,LD,LE,LEB,SB,SD,SE,SEB	
16	12368-ZV1-F00	FILTER B, BREATHER	-	1	-	-	-	1305888	LC,SC	



Ref. No.	L.O.N.	(Relative ref. Number) Description	F.R.T.
1	1131C1	PAN, OIL -INCLUDES: Engine removal and installation	1.1
2	1131C2	PACKING, OIL PAN -INCLUDES: Engine removal and installation	0.9
6	1131B5	STRAINER, OIL -INCLUDES: Engine removal and installation	0.9
7	1131B2	ROTOR, OIL PUMP INNER -INCLUDES: Engine removal and installation	0.8
10	3121J8	VALVE, CHECK -INCLUDES: Engine removal and installation	0.9
13	6151E4	SWITCH, OIL PRESSURE -INCLUDES: Engine removal and installation	0.8
19	1101E7	OIL SEAL, CRANKSHAFT :LOWER -INCLUDES: Engine removal and installation	1.0



Ref. No.	Part No.	Description	Reqd. QTY					Serial No.	Parts catalogue code
			BF 4.5B	BF 4.5B	BF 5A	BF 5A	BF 5A		
1	11300-ZV1-405ZA	PAN ASSY., OIL (020) *NH8*	1	1	1	1	1		
2	11381-ZV1-850	PACKING, OIL PAN	1	1	1	1	1		
3	15130-ZV1-000	COVER, OIL PUMP	1	1	1	1	1		
4	15131-ZV1-000	O-RING, PUMP COVER	1	1	1	1	1		
5	15136-ZV1-000	SHAFT, OIL PUMP	1	1	1	1	1		
6	15220-ZV1-000	STRAINER COMP., OIL	1	1	1	1	1		
7	15331-399-000	ROTOR, OIL PUMP INNER (YAMADA)	1	1	1	1	1		
8	15332-399-000	ROTOR, OIL PUMP OUTER (YAMADA)	1	1	1	1	1		
9	15335-ZV1-000	RUBBER, OIL RETURN	1	1	1	1	1		
10	15473-ZA0-000	VALVE, CHECK	1	1	1	1	1		
11	15474-881-000	SPRING, CHECK VALVE	1	1	1	1	1		
12	15475-ZA0-000	PLATE, CHECK VALVE	1	1	1	1	1		
13	37200-935-004	SWITCH, OIL PRESSURE	1	1	1	1	1		
14	37201-ZV1-000	CORD, OIL PRESSURE SWITCH	1	1	1	1	1		
15	37202-935-004	WASHER, 4MM	1	1	1	1	1		
16	90013-ZV0-010	BOLT, FLANGE, 6X12	2	2	2	2	2		1247740
17	90126-ZV1-000	BOLT, FLANGE, 8X32	6	6	6	6	6		1247740 LB,LD,LE,LEB,SB,SD,SE,SEB 1305965 LC,SC
	90126-ZV1-010		6	6	6	6	6		1247741 1305966
									2014686 LB,LD,LE,LEB,SB,SD,SE,SEB LC,SC
									2014686 LB,LD,LE,LEB,SB,SD,SE,SEB

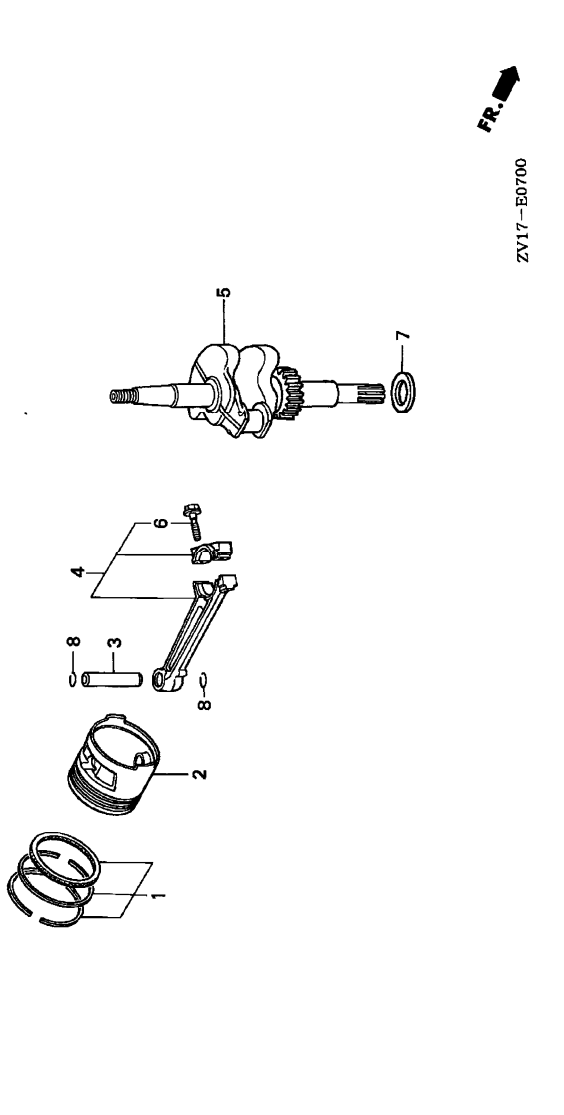


ZV17-E0600A

Ref. No.	Part No.	Description	Reqd. QTY				Serial No.	Parts catalogue code
			BF	BF	BF	BF		
17)	90036-ZY3-000	BOLT, FLANGE, 8X32	6	6	6	6	2014687	
18	90131-896-650	BOLT, DRAIN PLUG, 12X15	1	1	1	1	1247740	LBU,LU,SBU,SU
	90131-ZW4-000		1	1	1	1	1247740	LB,LD,LE,LEB,SB,SD,SE,SEB
19	91252-888-003	OIL SEAL, 25X38X7(ARAI)	1	1	1	1	1305938	LB,LD,LE,LEB,SB,SD,SE,SEB
20	91255-ZV1-003	SEAL, COUPLING, 25X40X14	1	1	1	1	1247741	LC,SC
21	91305-639-000	O-RING, 9.5X3	1	1	1	1	1247741	LB,LD,LE,LEB,SB,SD,SE,SEB
22	92101-06012-0J	BOLT, HEX., 6X12	2	2	2	2	1305939	LC,SC
23	93492-06014-08	BOLT-WASHER, 6X14	1	1	1	1		
24	93500-04006-3J	SCREW, PAN, 4X6	1	1	1	1		
25	94109-12000	WASHER, DRAIN PLUG, 12MM	1	1	1	1		
26	94301-08140	DOWEL PIN, 8X14	2	2	2	2		

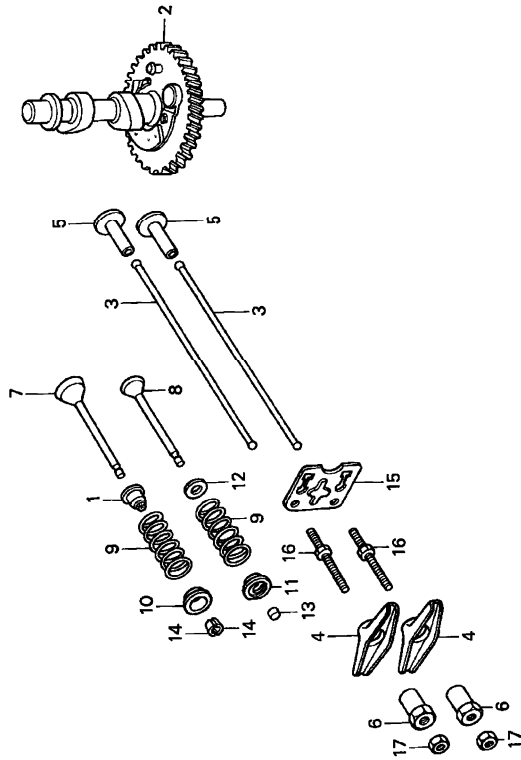


Ref. No.	L.O.N.	(Relative ref. Number) Description	F.R.T.
2	1111R1	(1,3,4) PISTON AND/OR RING SET AND/OR BEARING AND/OR ROD INCLUDES: Engine removal and installation INCLUDES: Inspection/Measurement/Cleaning	1.1
5	1101F0	CRANKSHAFT INCLUDES: Engine removal and installation	1.2



Ref. No.	Part No.	Description	Reqd. QTY								Serial No.	Parts catalogue code	
			BF 2	BF 4.5B	BF 4	BF 5A	BF 5A	BF 3	BF 2	BF 4			
1	13010-ZE6-013	RING SET, PISTON (STD.)	1	-	-	1	1	-	-	-	-	-	
	13010-ZE6-014	RING SET, PISTON (STD.) (NIPPON)	1	-	-	1	1	-	-	-	-	-	
	13010-ZH7-003 (TEIKOKU)	1	-	-	1	1	-	-	-	-	-	
2	13101-ZV1-000	PISTON	1	1	1	1	1	1	1	1	1	1	
3	13111-ZV1-000	PIN, PISTON	1	1	1	1	1	1	1	1	1	1	
4	13200-ZV1-000	ROD ASSY., CONNECTING	1	1	1	1	1	1	1	1	1	1	
5	13310-ZV1-000	CRANKSHAFT COMP.	1	1	1	1	1	1	1	1	1	1	
6	90001-ZE1-000	BOLT, CONNECTING ROD	2	2	2	2	2	2	2	2	2	2	
7	90459-357-000	WASHER C, THRUST, 25MM	1	1	1	1	1	1	1	1	1	1	
8	90551-ZE1-000	CLIP, PISTON PIN, 18MM	2	2	2	2	2	2	2	2	2	2	



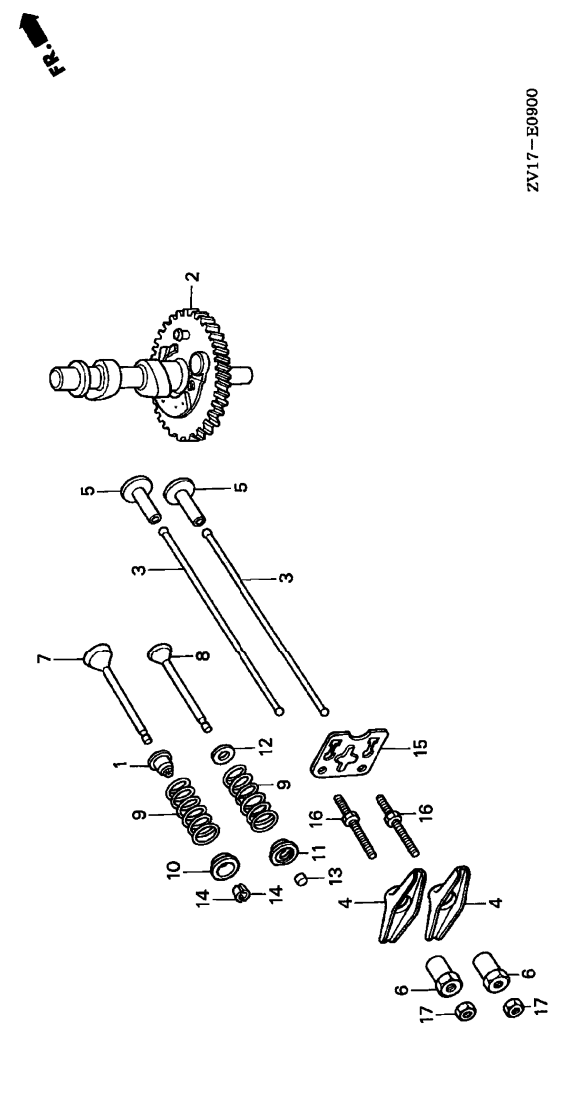


ZV17-E0900

Ref. No.	L.O.N.	(Relative ref. Number)	Description	F.R.T.
1	1111K2		SEAL, INTAKE VALVE STEM -INCLUDES: Engine removal and installation -INCLUDES: Valve clearance adjustment	0.9
2	1111C2		CAMSHAFT -INCLUDES: Engine removal and installation	0.8
3	1111L6		ROD, PUSH :INTAKE -INCLUDES: Valve clearance adjustment	0.2
	1111L7		ROD, PUSH :EXHAUST -INCLUDES: Valve clearance adjustment	0.2
4	1111A2		ARM, ROCKER :INTAKE -INCLUDES: Valve clearance adjustment	0.2
	1111A1		ARM, ROCKER :EXHAUST -INCLUDES: Valve clearance adjustment	0.2
5	1111L9		LIFTER, VALVE :INTAKE -NOTE: Same time for two units	0.9
	1111M0		LIFTER, VALVE :EXHAUST -NOTE: Same time for two units	0.9
+ 7	1111L1		VALVE, INTAKE	1.0

Ref. No.	Part No.	Description	Reqd. QTY						Serial No.	Parts catalogue code	
			BF	BF	BF	BF	5A	5A			
1	12209-ZE6-G02	SEAL, VALVE STEM	1	1	1	1	1	1	1	1250925	
2	14111-ZV1-020	CAMSHAFT	1	1	1	1	1	1	1	1250925	LB,LD,LE,LEB,SB,SD,SE,SEB
	14111-ZV1-030	1	1	1	1	1	1	1	1307176	LC,SC
		1	1	1	1	1	1	1	1307176	
3	14410-ZE1-010	ROD, PUSH	2	2	2	2	2	2	2	1250926	
4	14431-ZE1-000	ARM, VALVE ROCKER	2	2	2	2	2	2	2	1250926	LB,LD,LE,LEB,SB,SD,SE,SEB
5	14441-ZE1-010	LIFTER, VALVE	2	2	2	2	2	2	2	1307177	LC,SC
6	14451-ZE1-013	PIVOT, ROCKER ARM	2	2	2	2	2	2	2		
7	14711-ZV1-000	VALVE, IN.	1	1	1	1	1	1	1		
8	14721-ZV1-000	VALVE, EX.	1	1	1	1	1	1	1		
9	14751-ZV1-000	SPRING, VALVE	2	2	2	2	2	2	2		
10	14771-ZV1-000	RETAINER, VALVE SPRING	1	1	1	1	1	1	1		
11	14773-ZE1-000	RETAINER, EX. VALVE SPRING ..	1	1	1	1	1	1	1		
12	14775-028-010	SEAT, VALVE SPRING	1	1	1	1	1	1	1		
13	14781-ZE1-000	ROTATOR, VALVE	1	1	1	1	1	1	1		
14	14781-107-003	COTTER, VALVE (SANKO)	2	2	2	2	2	2	2		
15	14791-ZE1-010	PLATE, PUSH ROD GUIDE	1	1	1	1	1	1	1		
16	90012-ZE0-010	BOLT, PIVOT, 8MM	2	2	2	2	2	2	2		
17	90206-ZE1-000	NUT, PIVOT ADJUSTING	2	2	2	2	2	2	2		

Ref. No.	L.O.N.	(Relative ref. Number)	Description	F.R.T.
+ 7			.INCLUDES: Engine removal and installation .INCLUDES: Valve clearance adjustment and reface	
	1111L1E		.Replace intake and exhaust all add	0.1
8	1111L0		VALVE, EXHAUST	1.0
			.INCLUDES: Engine removal and installation .INCLUDES: Valve clearance adjustment and reface	
	1111L0E		.Replace intake and exhaust all add	0.1
9	1111P3		SPRING, VALVE :INTAKE	0.9
			.INCLUDES: Valve clearance adjustment	
	1111P3A		.INCLUDES: Engine removal and installation .Replace intake and exhaust all add	0.1
	1111P4		SPRING, VALVE :EXHAUST	0.9
			.INCLUDES: Valve clearance adjustment	
			.INCLUDES: Engine removal and installation	



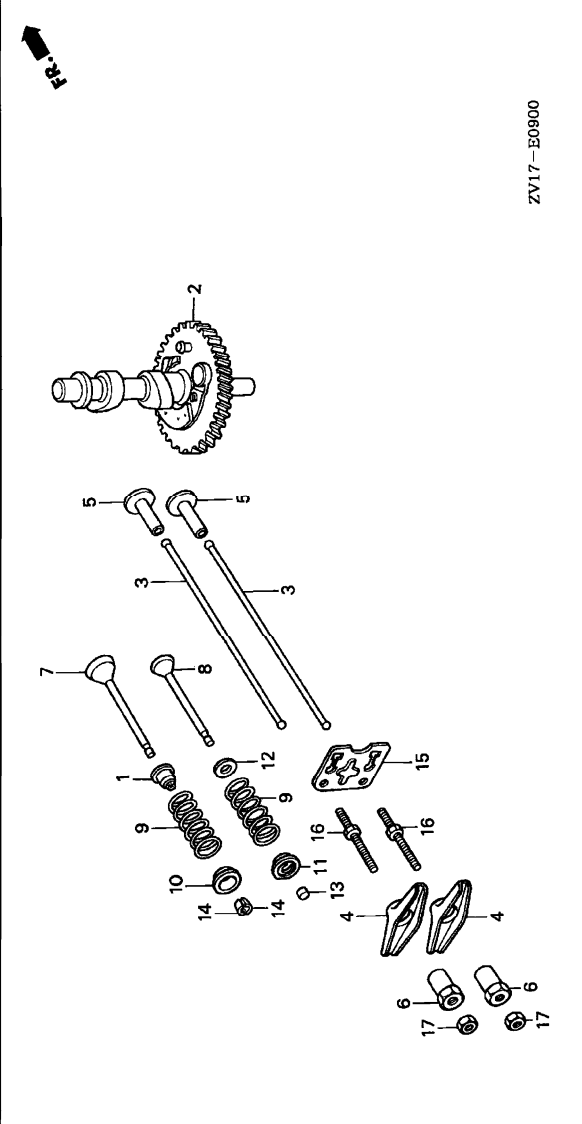
ZV17-B0900

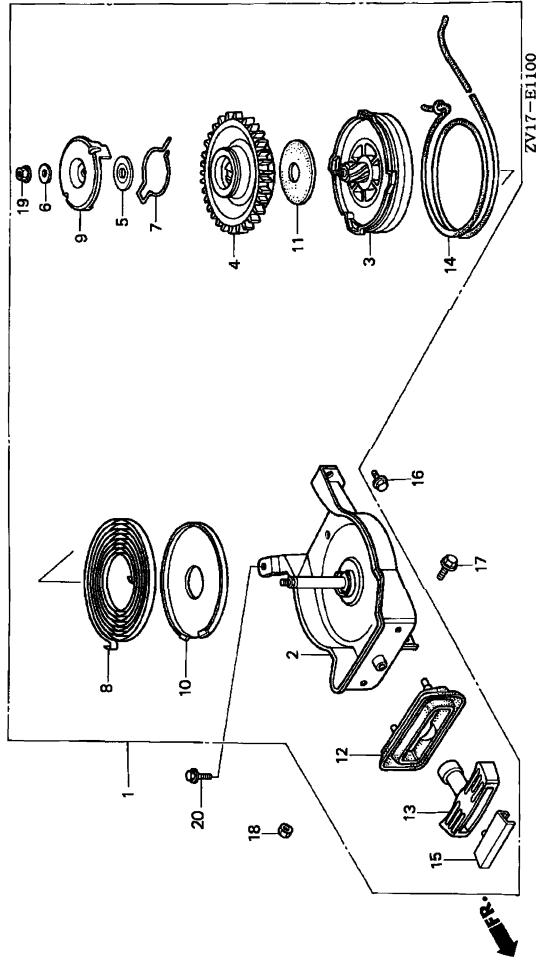


CAMSHAFT

E-9

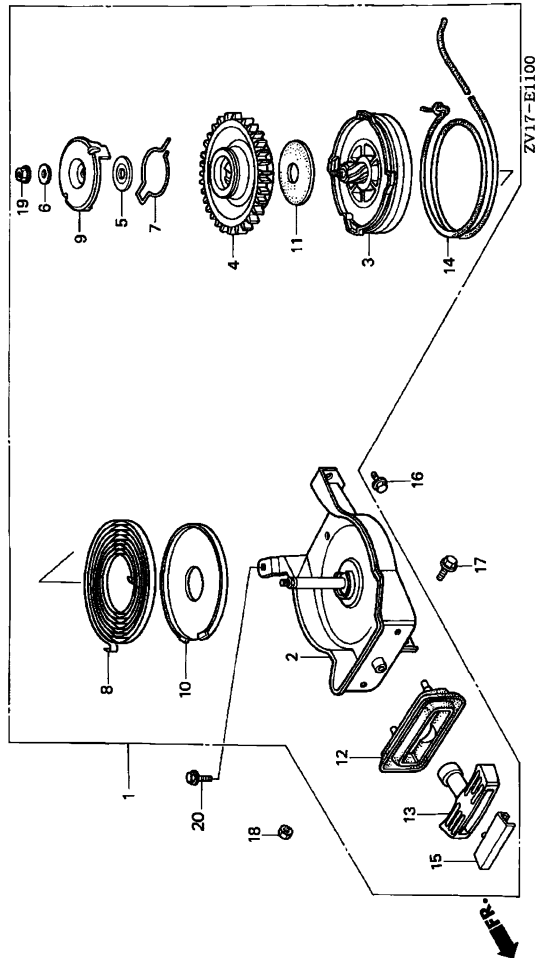
Ref. No.	L.O.N.	(Relative ref. Number)	Description	F.R.T.
+ 9	1111P4A		.Replace intake and exhaust all add	0.1
13	1111J7		ROTATOR, VALVE	0.2
			.INCLUDES: Valve clearance adjustment	



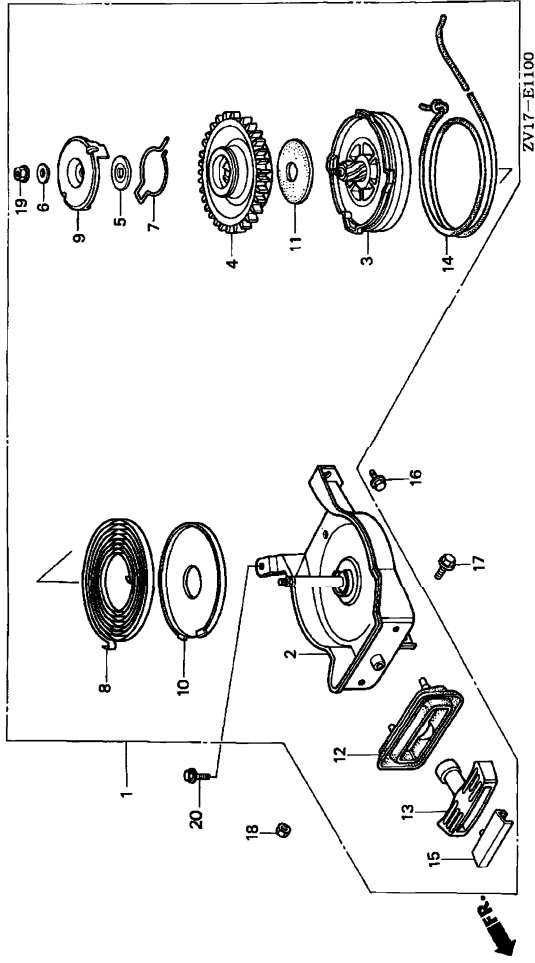


Ref. No.	L.O.N.	(Relative ref. Number)	Description	F.R.T.
1	1121B9		STARTER, RECOIL	0.1
3	1121B1		REEL, RECOIL STARTER	0.3
4	1121E5		GEAR, RECOIL STARTER	0.3
7	1121D6		SPRING, FRICTION	0.1
8	1121B7		SPRING, RECOIL STARTER RETURN	0.4
14	1121B3		ROPE, RECOIL STARTER	0.3

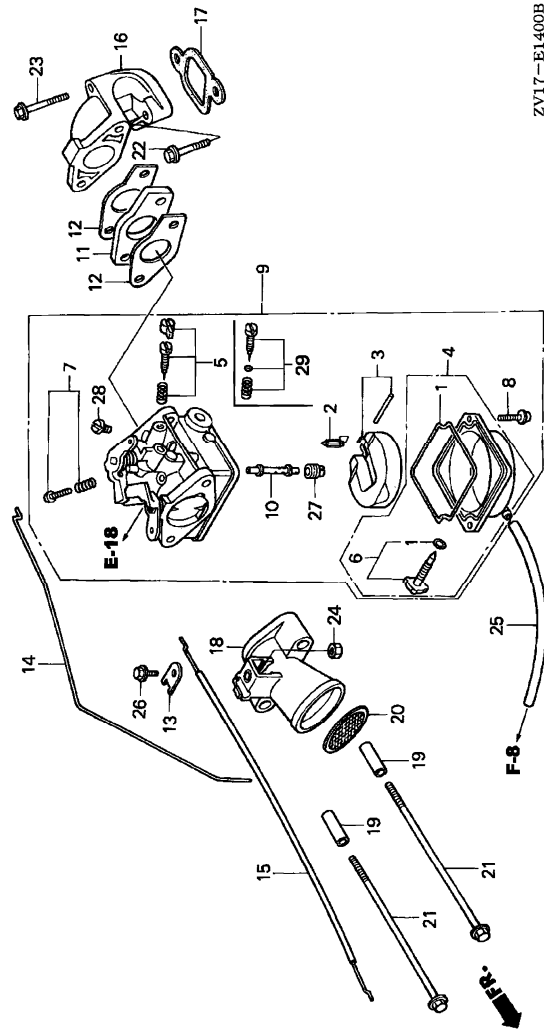
Ref. No.	Part No.	Description	Reqd. QTY						Serial No.	Parts catalogue code
			BF	BF	BF	4.5B	5A	5A		
1	28400-ZV1-043ZB	STARTER ASSY., RECOIL *TBLACK*	1	-	1	1	-	-	2010603	LB,LD,LE,LEB,SB,SD,SE,SEB
	28400-ZV1-053ZB	*TBLACK*	-	1	-	-	-	2010604		
2	28410-ZV1-013ZB	CASE COMP., RECOIL STARTER *TBLACK*	-	-	-	-	-	2010604		LB,LU,SBU,SU LB,LD,LE,LEB,SB,SD,SE,SEB
	28410-ZV1-023ZB	*TBLACK*	1	-	1	1	-	2010603		LB,LD,LE,LEB,SB,SD,SE,SEB
3	28421-ZV1-003	PULLEY, RECOIL STARTER	1	1	1	1	1	2010604		LB,LU,SBU,SU LB,LD,LE,LEB,SB,SD,SE,SEB
4	28426-ZV1-023	GEAR, STARTER	1	1	1	1	1			
5	28431-ZV1-003	WASHER, THRUST	1	1	1	1	1			
	28431-ZV1-013		-	1	-	-	-	2010603		LB,LD,LE,LEB,SB,SD,SE,SEB
			-	1	-	-	-	2010604		
6	28432-ZV1-003	WASHER	1	-	1	1	-	2010603		LB,LU,SBU,SU LB,LD,LE,LEB,SB,SD,SE,SEB
			-	1	-	-	-	2010604		LB,LD,LE,LEB,SB,SD,SE,SEB



Ref. No.	Part No.	Description	Reqd. QTY					Serial No.	Parts catalogue code	
			BF	4.5B	4.5B	BF	5A			
(6)	28432-ZV1-013	WASHER	2	4	6	2	3	4	2010604	
7	28441-ZV1-003	SPRING, FRICTION	1	-	-	1	-	-	2010604	LB,LU,SBU,SU LB,LD,LE,LEB,SB,SD,SE,SEB
	28441-ZV1-013		-	-	-	-	-	-	2010603	LB,LD,LE,LEB,SB,SD,SE,SEB
8	28442-ZV1-003	SPRING, STARTER RETURN	1	1	1	1	1	1	2010604	LB,LU,SBU,SU LB,LD,LE,LEB,SB,SD,SE,SEB
9	28443-ZV1-023	RETAINER, SPRING	1	1	1	1	1	1	2010603	LB,LD,LE,LEB,SB,SD,SE,SEB
	28443-ZV1-033		-	-	-	-	-	-	2010604	LB,LU,SBU,SU LB,LD,LE,LEB,SB,SD,SE,SEB
10	28445-ZV1-003	HOLDER, SPRING	1	1	1	1	1	1	2010604	LB,LU,SBU,SU LB,LD,LE,LEB,SB,SD,SE,SEB
11	28454-ZV1-003	RUBBER, CUSHION	1	1	1	1	1	1		
12	28455-ZV1-000	RUBBER, ENGINE COVER SEAL	1	1	1	1	1	1		
13	28461-ZV1-013	GRIP, STARTER	1	1	1	1	1	1		
14	28462-ZV1-003	ROPE, RECOIL STARTER	1	1	1	1	1	1		
15	28463-ZV1-003	CAP, GRIP	1	1	1	1	1	1		
16	90013-ZV0-010	BOLT, FLANGE, 6X12	1	1	1	1	1	1		



Ref. No.	Part No.	Description	Reqd. QTY				Serial No.	Parts catalogue code
			BF 2	BF 4	BF 5A	BF 4		
17	90128-ZV1-000	BOLT, FLANGE, 6X16	1	-	-	-	1247740	LB, LD, LE, LEB, SB, SD, SE, SEB
	90128-ZV1-010		-	-	-	1247741	1305887	LC, SC
18	94001-06020-0S	NUT, HEX., 6MM	1	1	1	1247741	1305888	LB, LD, LE, LEB, SB, SD, SE, SEB
	90302-ZW4-000		-	-	-	-	-	LC, SC
19	94050-06020	NUT, FLANGE, 6MM	1	1	1	-	2010603	LB, LD, LE, LEB, SB, SD, SE, SEB
	90201-ZV1-003		-	-	-	2010604	-	LC, SC
20	95701-06016-02	BOLT, FLANGE, 6X16	1	-	-	2010604	-	LB, LD, LE, LEB, SB, SD, SE, SEB
	90017-ZY3-000		-	-	-	1247741	-	LC, SC



Ref. No.	L.O.N.	(Relative ref. Number) Description	F.R.T.
1	3111B1	GASKET SET, CARBURETOR	0.3
2	3111E1	VALVE SET, FLOAT AND/OR FLOAT SET	0.3
9	3111F3	CARBURETOR	0.2
11	3111C0	INSULATOR, CARBURETOR AND/OR CARBURETOR	0.2
12	3111C8	PACKING, CARBURETOR	0.2
14	8101R4	ROD, THROTTLE	0.2
15	8111A9	CABLE, CHOKE	0.2
16	3111C4	MANIFOLD, INTAKE	0.2
17	3111C9	PACKING, INTAKE MANIFOLD	0.2
18	3121C7	GUIDE, AIR INTAKE	0.2
20	3121F6	TRAP, FRAME	0.2
27	3111C3	JET, MAIN	0.3

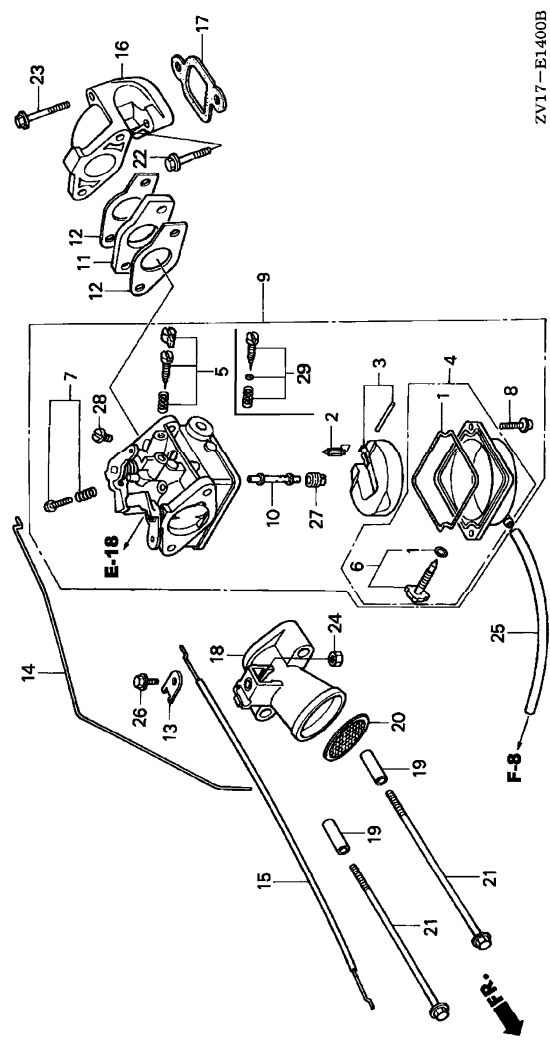
NOTE: Same time for two units

Ref. No.	Part No.	Description	Reqd. QTY						Serial No.	Parts catalogue code
			BF 2	BF 4.5B	BF 5A	BF 6	BF 9A	BF 4		
1	16010-881-A00	GASKET SET	1	1	1	1	1	1		
2	16011-881-741	VALVE SET, FLOAT	1	1	1	1	1	1		
3	16013-881-003	FLOAT SET	1	1	1	1	1	1		
4	16015-ZV1-A00	CHAMBER SET, FLOAT	1	1	1	1	1	1		
5	16016-ZV1-E01	SCREW SET	1	1	1	1	1	1		LC, SC
6	16024-ZV1-A00	SCREW SET, DRAIN	1	1	1	1	1	1		
7	16028-ZV1-A00	SCREW SET	1	1	1	1	1	1		
8	16081-ZV1-A00	SCREW, PAN	2	2	2	2	2	2		
9	16100-ZV1-A03	CARBURETOR ASSY. (BC05B D)	1	1	1	1	1	1		LB, LD, LE, LEB, SB, SD, SE, SEB
	16100-ZV1-C51	CARBURETOR ASSY. (BC10A A)	1	1	1	1	1	1		1247623
	16100-ZV1-E02	CARBURETOR ASSY. (BC05C B)	1	1	1	1	1	1		LC, SC
	16100-ZV1-C52	CARBURETOR ASSY. (BC10A B)	1	1	1	1	1	1		1247624
	16100-ZV1-C53	CARBURETOR ASSY. (BC10A C)	1	1	1	1	1	1		
	16100-ZV1-F01	CARBURETOR ASSY. (BC05D A)	1	1	1	1	1	1		LB, LD, LE, LEB, SB, SD, SE, SEB
	16100-ZV1-G01	CARBURETOR ASSY. (BC05F A)	1	1	1	1	1	1		LBU, LU, SBU, SU
10	16166-ZV1-A00	NOZZLE, MAIN	1	1	1	1	1	1		BC10A A
	16166-ZV1-C01	(CARBURETOR NO.)	1	1	1	1	1	1		BC10A B

Ref. No.	Part No.	Description	Reqd. QTY						Serial No.	Parts catalogue code
			BF 4.5B	BF 4	BF 5A	BF 6	BF 5A	BF 4		
10)	16166-ZV1-F01 16166-ZV1-G01	NOZZLE, MAIN	-	-	-	-	-	-	LB, LD, LE, LEB, SB, SD, SE, SEB	
11	16211-ZV1-000	INSULATOR, CARBURETOR	1	1	1	1	1	1	LBU, LU, SBU, SU	
12	16221-ZV1-850	PACKING, CARBURETOR	2	2	2	2	2	2		
13	16576-ZV0-010	HOLDER, CABLE	1	1	1	1	1	1		
14	16593-ZV1-000	ROD, THROTTLE	1	1	1	1	1	1		
15	16620-ZV1-A00	CABLE COMP., CHOKE	1	1	1	1	1	1		
16	17101-ZV1-010ZA	MANIFOLD, INTAKE	1	1	1	1	1	1		
17	17151-ZV1-850	*NH8* DARK GRAY PACKING, INTAKE MANIFOLD	1	1	1	1	1	1		
18	17201-ZV1-C50	GUIDE COMP., AIR	1	1	1	1	1	1		
19	17202-ZV1-010	COLLAR, DISTANCE	2	2	2	2	2	2		
20	17203-ZV4-000	TRAP, FLAME	1	1	1	1	1	1		
21	90012-ZV1-000	BOLT, FLANGE, 6X102	2	-	-	-	-	-	1247740 LB, LD, LE, LEB, SB, SD, SE, SEB 1247740 LC, SC 1305887	
	90012-ZV1-010		2	-	-	-	-	-	1247741	
22	90015-ZV0-000	BOLT, FLANGE, 6X28	-	2	2	2	2	2	1247741 LB, LD, LE, LEB, SB, SD, SE, SEB 1305888 LC, SC	
	90015-ZV0-C10	BOLT, FLANGE, 6X28(CT200)	-	1	1	1	1	1	1247740 LB, LD, LE, LEB, SB, SD, SE, SEB 1305887 LC, SC	
23	90125-ZV1-000	BOLT, FLANGE, 6X42	1	-	-	-	-	-	1247741 LB, LD, LE, LEB, SB, SD, SE, SEB 1305888 LC, SC	
	90125-ZV1-010		1	1	1	1	1	1	1247741 LB, LD, LE, LEB, SB, SD, SE, SEB 1305887 LC, SC	
24	94001-06020-0S	NUT, HEX., 6MM	1	-	-	-	-	-	1247721 LB, LD, LE, LEB, SB, SD, SE, SEB 1305971 LC, SC	
	90302-ZW4-000		1	1	1	1	1	1	1247722	
25	95003-05017-31	TUBE, VINYL, 3.5X6.5X170 (95003-05001-60M)	1	1	1	1	1	1	1247722 LB, LD, LE, LEB, SB, SD, SE, SEB 1305972 LC, SC	
26	95701-06012-02	BOLT, FLANGE, 6X12	1	-	-	-	-	-	1247740 LB, LD, LE, LEB, SB, SD, SE, SEB 1305887 LC, SC	
	90056-ZY3-000		1	-	-	-	-	-	1247741	
27	99101-ZF5-0700	JET, MAIN, #70	-	1	1	1	1	1	1247741 LB, LD, LE, LEB, SB, SD, SE, SEB 1305888 LC, SC LBU, LU, SBU, SU LB, LD, LE, LEB, SB, SD, SE, SEB	



CARBURETOR

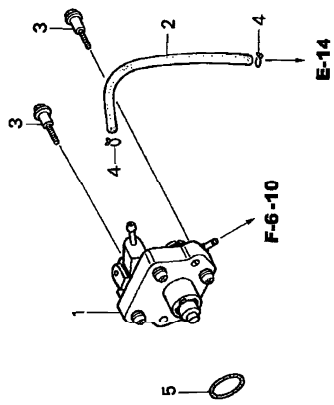


ZV17-E1400B

Ref. No.	Part No.	Description	Reqd. QTY					Serial No.	Parts catalogue code
			BF 2	BF 4	BF 4.5B	BF 5A	BF 5A 3		
27	99101-ZF5-0720	JET, MAIN, #72	-	-	(1)	-	-	-	LB, LD, LE, LEB, SB, SD, SE, SEB
	99101-ZF5-0750	JET, MAIN, #75	1	1	(1)	-	-	-	LB, LD, LE, LEB, SB, SD, SE, SEB
	99101-ZH7-0720	JET, MAIN, #72	-	-	(1)	-	-	-	LC, SC
	99101-ZH7-0750	JET, MAIN, #75	-	-	(1)	-	-	-	LC, SC
	99101-ZF5-0780	JET, MAIN, #78	-	-	1	-	-	-	LB, LD, LE, LEB, SB, SD, SE, SEB
	99101-ZH7-0780	-	-	1	-	-	-	LC, SC
28	99103-ZV1-0350	JET COMP. (#35) (CARBURETOR NO.)	-	-	-	-	-	BC10A A	
	99103-881-0380	JET COMP. (#38) (CARBURETOR NO.)	1	-	1	1	1	-	
	99103-ZV1-0380	1	-	-	-	-	BC10A B	
29	16016-881-C40	SCREW SET A (CARBURETOR NO.)	1	-	-	-	-	BC10A A	
	16016-ZV1-C41	1	-	-	-	-	BC10A B	
	16016-ZV1-C01	-	-	-	-	-	-	LB, LU, SBU, SU
	16016-ZV1-F01	SCREW SET	-	-	1	-	-	-	LB, LD, LE, LEB, SB, SD, SE, SEB
		-	-	-	-	-	-	LB, LD, LE, LEB, SB, SD, SE, SEB



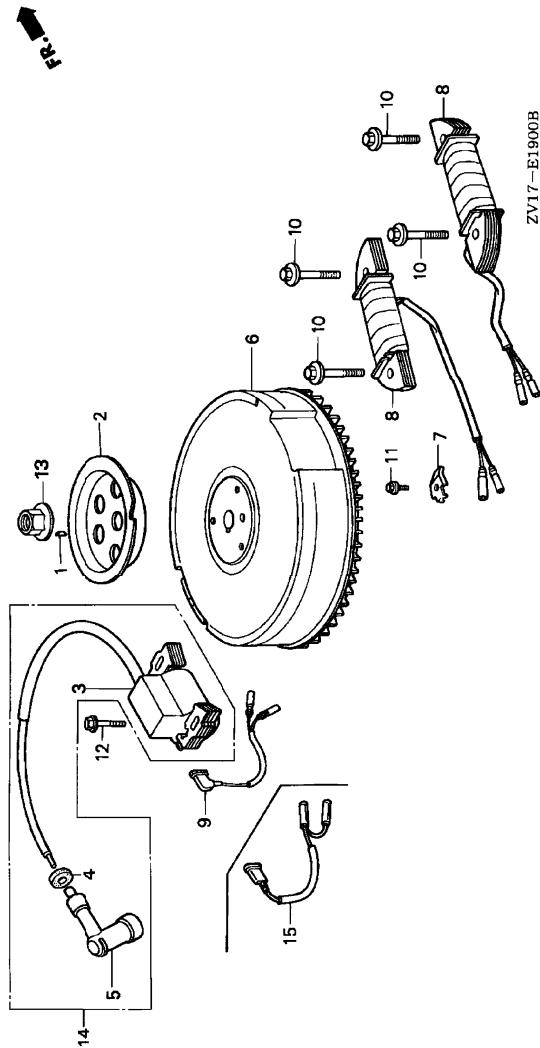
Ref. No.	L.O.N.	(Relative ref. Number)	Description	F.R.T.
1	3101H9	(5)	PUMP, FUEL	0.2
2	3101K7		TUBE, FUEL PUMP	0.1



ZV17 - E1800A

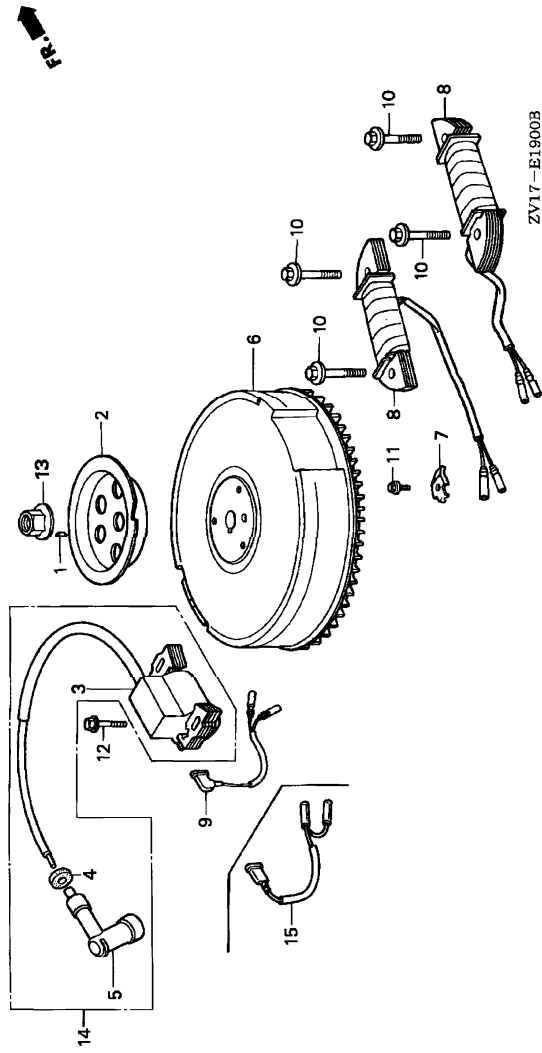
Ref. No.	Part No.	Description	Reqd. QTY				Serial No.	Parts catalogue code
			BF	BF	BF	BF		
1	16700-ZV1-005	PUMP ASSY., FUEL	1	1	1	1	1250925	LB,LD,LE,LEB,SB,SD,SE,SEB
			2	4	6	2	1307176	LC,SC
			4.5B	4.5B	5A	5A	1250926	LB,LD,LE,LEB,SB,SD,SE,SEB
			2	4	6	2	1307177	LC,SC
			1	1	1	1	1247730	LB,LD,LE,LEB,SB,SD,SE,SEB
			1	1	1	1	1247731	LB,LD,LE,LEB,SB,SD,SE,SEB
			2	2	2	2	1305971	LC,SC
			2	2	2	2	1247731	LB,LD,LE,LEB,SB,SD,SE,SEB
			2	2	2	2	1305972	LC,SC
			1	1	1	1		
			1	1	1	1		





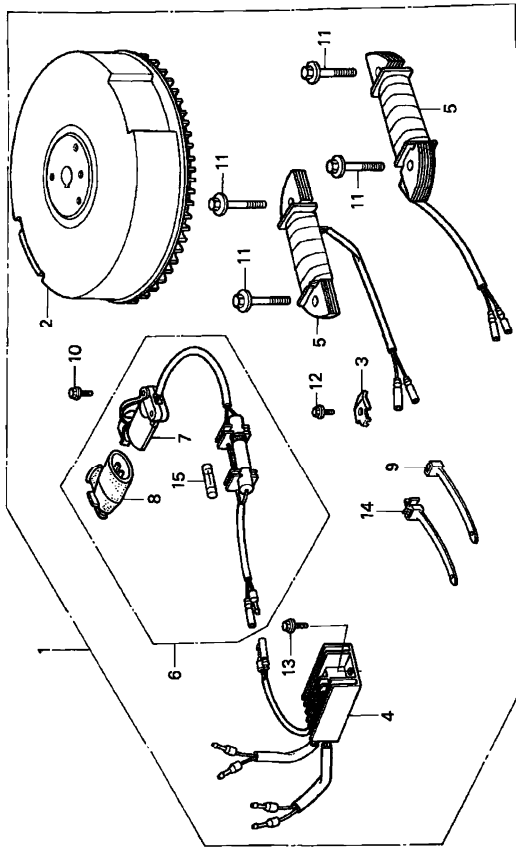
Ref. No.	L.O.N.	(Relative ref. Number)	Description	F.R.T.
2	1121A9		PULLEY, RECOIL STARTER	0.1
5	6141B8		TERMINAL, HIGH TENSION	0.1
6	2161B5		FLYWHEEL	0.2
8	6131C3		COIL, CHARGE	0.3
9	6111B3		CORD, STOP SWITCH	0.3
14	6141A5		COIL, IGNITION(ONE)	0.2

Ref. No.	Part No.	Description	Reqd. QTY						Serial No.	Parts catalogue code
			BF	BF	BF	BF	BF	BF		
1	13331-357-000	KEY, SPECIAL WOODRUFF, 25X18	1	1	1	1	1	1		
2	28451-ZV1-010	PULLEY, STARTER	1	1	1	1	1	1		
3	30500-ZV1-003	COIL ASSY., IGNITION	1	1	1	1	1	1		
4	30505-ZE6-000	GROMMET, HIGH TENSION CORD	1	1	1	1	1	1		
5	30700-ZV1-010	CAP ASSY., NOISE SUPPRESSOR	1	1	1	1	1	1		
6	31100-ZV1-010	FLYWHEEL COMP.	-	-	-	-	-	-	LC,LD,LE,SC,SD,SE	
	31100-ZV1-811	FLYWHEEL COMP. (CHARGE)	1	1	1	1	1	1		
	31100-ZV1-F00ZA	FLYWHEEL COMP.	-	-	-	-	-	-		
	31100-ZV1-F40ZA	FLYWHEEL COMP. (CHARGE)	-	-	-	-	-	-	LB,LE,LU,SD,SE,SU	
		TBLACK	-	-	-	-	-	-		
		TBLACK	-	-	-	-	-	-		
7	31511-ZV1-811	CLAMPER, CORD	1	1	1	1	1	1		
8	31630-ZV1-A01	COIL ASSY., CHARGE (12V/1.5A)	2	2	2	2	2	2		
9	36101-ZV1-000	CORD, STOP SWITCH (14.5MM)	1	1	1	1	1	1		
10	90015-ZV0-000	BOLT, FLANGE, 6X28	4	4	4	4	4	4	1247740	
	90015-ZV0-C10	BOLT, FLANGE, 6X28(CT200)	4	4	4	4	4	4	1247740	
			-	-	-	-	-	-	1247741	
			-	-	-	-	-	-		
11	90019-ZV1-000	BOLT, FLANGE, 5X10	1	1	1	1	1	1	1247740	
			-	-	-	-	-	-	1247740	



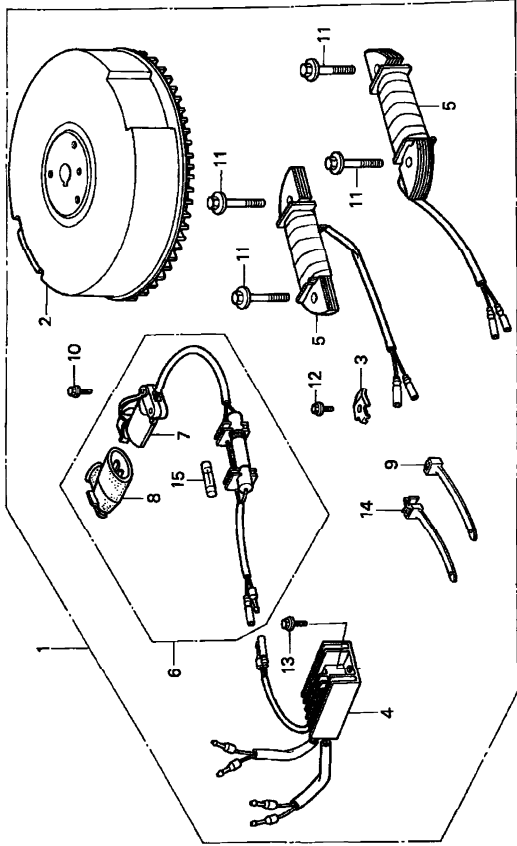
Ref. No.	Part No.	Description	Reqd. QTY				Serial No.	Parts catalogue code
			BF 4.5B 2	BF 4.5B 4	BF 5A 3	BF 5A 4		
11)	90019-ZV1-010	BOLT, FLANGE, 5X10	1	1	-	1247741		
			-	1	-	1247741	LB,LEB,SB,SEB	
			-	-	1	1247740	LB,LBU,LEB,SB,SBU,SEB	
12	90121-ZV0-000	BOLT, FLANGE, 6X25	2	-	-	1247740	LB,LD,LE,LEB,SB,SD,SE,SEB	
			-	2	-	1305887	LC,SC	
90121-ZV0-010			2	-	-	1247741	LB,LD,LE,LEB,SB,SD,SE,SEB	
			-	2	-	1247741	LC,SC	
			-	2	-	1305888		
90121-ZV1-F00		BOLT, FLANGE, 6X28(CT200)	-	2	-			
90121-ZW4-000		BOLT, FLANGE, 6X25	-	2	-			
13	90201-881-000	NUT, SPECIAL, 14MM	1	1	1			
14	30500-ZV1-F01	COIL ASSY., IGNITION	-	1	-		LB,LD,LE,LEB,SB,SD,SE,SEB	
	30500-ZV1-F01		-	1	-		LBU,LU,SBU,SU	
15	36101-ZV1-F00	CORD, STOP SWITCH	-	1	-			

Ref. No.	L.O.N.	(Relative ref. Number)	Description	F.R.T.
2	2161B5		FLYWHEEL	0.2
4	6131B7		RECTIFIER, REGULATOR	0.3
5	6131C3		COIL, CHARGE	0.3
6	6131B6		RECEPTACLE, CHARGE	0.2
7	6131A1		CONSENT, LAMP	0.2
15	8121B9		FUSE A	0.1



ZV17-X0200

Ref. No.	Part No.	Description	Reqd. QTY					Serial No.	Parts catalogue code
			BF	BF	BF	5A	4		
1	06310-ZV1-A00	RECEPTACLE KIT, CHARGE	-	-	(1)	-	-	-	LC, LD, LE, SC, SD, SE
2	06310-ZV1-F00ZA	*TBLACK*	-	-	-	-	-	-	LD, LE, LU, SD, SE, SU
3	31100-ZV1-811	FLYWHEEL COMP. (CHARGE)	-	-	(1)	-	-	-	LC, LD, LE, SC, SD, SE
3	31100-ZV1-F40ZA	*TBLACK*	-	-	-	-	-	-	LD, LE, LU, SD, SE, SU
3	31511-ZV1-811	CLAMPER, CORD	-	-	(1)	-	-	-	LC, LD, LE, LU, SC, SD, SE, SU
4	31620-ZV1-A01	RECTIFIER ASSY., REGULATOR ..	-	-	(1)	-	-	-	LC, LD, LE, LU, SC, SD, SE, SU
5	31630-ZV1-A01	COIL ASSY., CHARGE (12V/1.5A)	-	-	(2)	-	-	-	LC, LD, LE, LU, SC, SD, SE, SU
6	31650-ZV1-A01	RECEPTACLE ASSY., CHARGE	-	-	(1)	-	-	-	LD, LE, SD, SE
6	31650-ZV1-A02	-	-	(1)	-	-	-	LC, SC
6	31650-ZV1-A03	-	-	(1)	-	-	-	LD, LE, SD, SE
6	31650-ZV1-A04	-	-	(1)	-	-	-	LC, SC
7	31651-ZV1-A01	CONSENT	-	-	(1)	-	-	-	LD, LE, LU, SD, SE, SU
8	31652-881-014	PLUG, CONSENT	-	-	(1)	-	-	-	LC, LD, LE, LU, SC, SD, SE, SU
8	31652-881-024	-	-	(1)	-	-	-	LD, LE, SD, SE
8	31652-881-024	-	-	(1)	-	-	-	LC, SC
8	31652-881-024	-	-	(1)	-	-	-	LD, LE, LU, SD, SE, SU

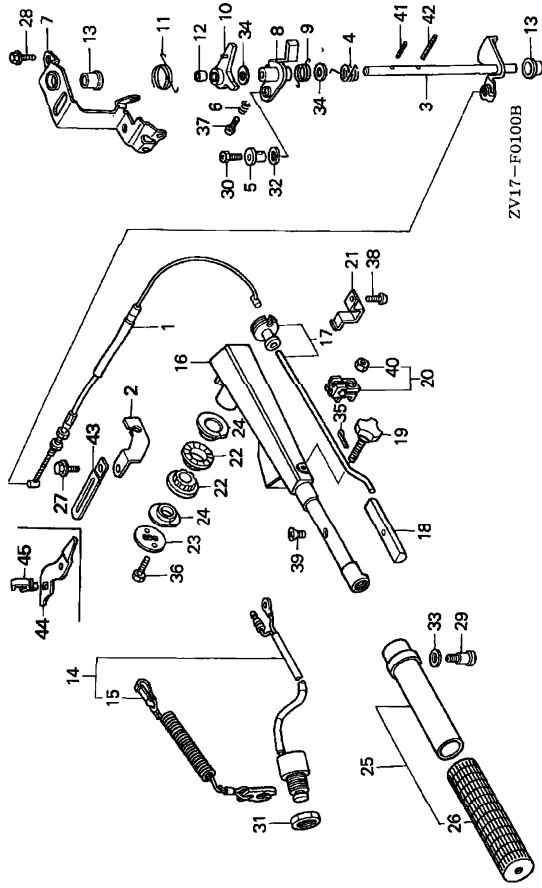


ZV17-X0200

Ref. No.	Part No.	Description	Reqd. QTY						Serial No.	Parts catalogue code
			BF 2	BF 4	BF 4.5B	BF 5A	BF 5A	BF 4		
9	32901-952-770	TIE, CABLE	-	-	(1)	-	(1)	-	LC, LD, LE, LU, SC, SD, SE, SU	
10	90014-ZV1-010	BOLT, FLANGE, 5X22	-	-	-	(1)	(2)	-	LC, LD, LE, LU, SC, SD, SE, SU	
11	90015-ZV0-000 90015-ZV0-C10	BOLT, FLANGE, 6X28	-	-	-	(4)	(4)	-	LC, LD, LE, LU, SC, SD, SE	
12	90019-ZV1-000	BOLT, FLANGE, 5X10	-	-	-	(1)	(1)	-	LD, LE, LU, SD, SE, SU	
13	90128-ZV1-000 90128-ZV1-010	BOLT, FLANGE, 6X16	-	-	-	(1)	(1)	-	LC, LD, LE, LU, SC, SD, SE, SU	
14	90674-ZV1-003	BAND, CABLE	-	-	-	(1)	(1)	-	LC, LD, LE, LU, SC, SD, SE	
15	98200-10500	FUSE A (5A)	-	-	-	(1)	(1)	-	LD, LE, LU, SD, SE, SU	

STEERING HANDLE/THROTTLE CABLE

Ref. No.	L.O.N.	(Relative ref. Number)	Description	F.R.T.
1	8111C8		CABLE, THROTTLE	0.5
3	8101Z9		SHAFT, THROTTLE	0.3
7	8101AA		STAY, THROTTLE SHAFT	0.3
10	8101Z8		POWL, NEUTRAL START	0.2
14	6151B8		SWITCH, EMERGENCY STOP	0.2
16	8101E4		HANDLE, STEERING	1.3
-INCLUDES: Engine removal anc installation				
17	8101T7		REEL, THROTTLE	0.1
20	8101U0		BLOCK, THROTTLE FRICTION	0.1
22	5101E4		RUBBER, HANDLE MOUNTING	0.9
-INCLUDES: Engine removal anc installation				
25	8101H8		PIPE, GRIP	0.1

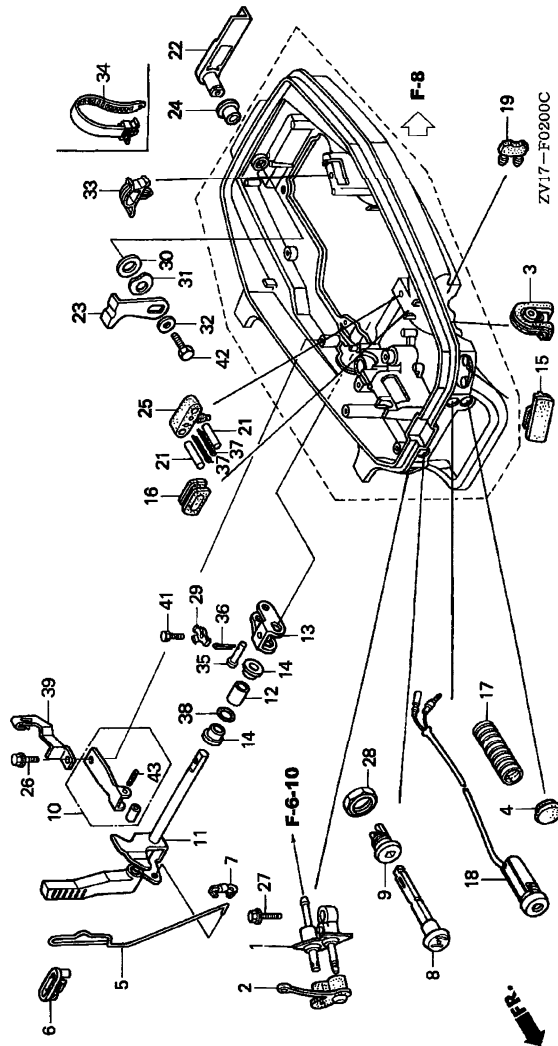


Ref. No.	Part No.	Description	Reqd. QTY					Serial No.	Parts catalogue code
			BF	4.5B	4.5B	5A	5A		
1	17910-ZV1-000	CABLE COMP., THROTTLE	1	1	1	1	1		
2	17921-ZV1-020	HOLDER, CABLE	1	1	1	1	1		
3	17930-ZV1-020	SHAFT COMP., THROTTLE	1	1	1	1	1		
4	17932-ZV1-000	SPRING, THROTTLE ARM	1	1	1	1	1		
5	17933-ZV1-000	HOLDER, THROTTLE ROD	1	1	1	1	1		
6	17934-ZV1-000	SPRING, THROTTLE ADJUSTING	1	1	1	1	1		
7	17935-ZV1-000	STAY, THROTTLE SHAFT	1	1	1	1	1		
	17935-ZV1-010	-	-	-	-	-	2000188 SGB 2000694 LGB 2001753 LB,LD,LE,LEB 2006915 SB,SD,SE,SEB 2000189 SGB 2000695 LGB	
8	17936-ZV1-000	LINK COMP., THROTTLE	-	-	-	-	-	LBU,LU,SBU,SU	
9	17937-ZV1-000	SPRING, RETURN	-	-	-	-	-	LB,LD,LE,LEB	
10	17941-ZV1-000	POWL, NEUTRAL START	1	1	1	1	1	2001754 2006916	
11	17942-ZV1-000	SPRING, POWL	1	1	1	1	1		
12	17943-ZV1-000	COLLAR, POWL	1	1	1	1	1		
13	24621-921-010	BUSH, SHAFT	2	2	2	2	2		
14	36180-ZV1-A03	SWITCH ASSY., EMERGENCY STOP	1	1	1	1	1		
15	36182-ZV4-650	CORD COMP., EMERGENCY	1	1	1	1	1		



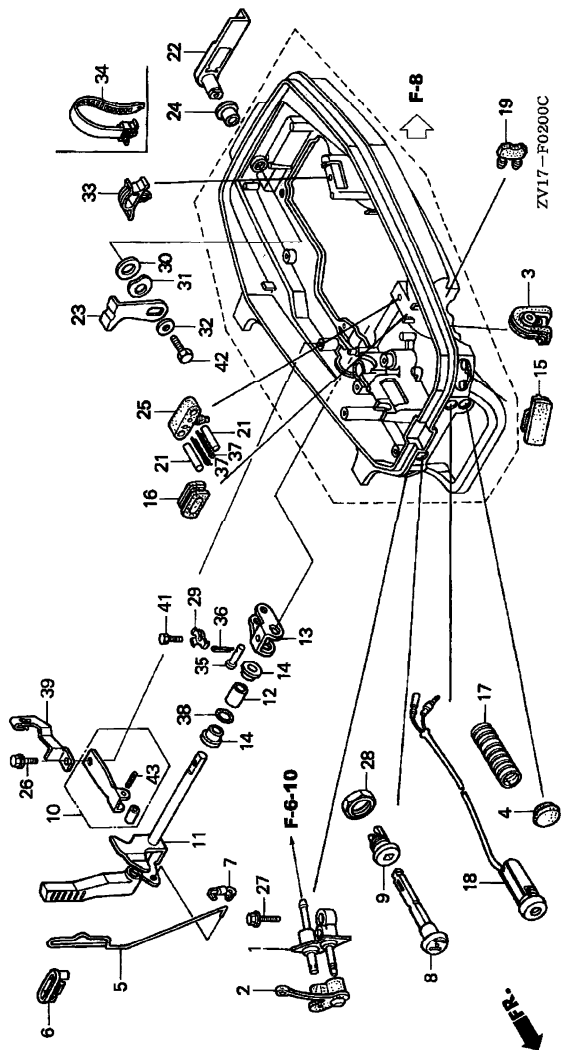
Ref. No.	Part No.	Description	Reqd. QTY					Serial No.	Parts catalogue code
			BF 4.5B	BF 4	BF 5A	BF 2	BF 3		
16	53101-ZV1-A00ZB	HANDLE, STEERING *NHZ282MU*	1	1	1	1	1		
17	53102-ZV1-000	OYSTER SILVER METALLIC-U REEL COMP., THROTTLE	1	1	1	1	1		
18	53103-ZV1-000	WEIGHT, STEERING HANDLE	1	1	1	1	1		
19	53104-ZV1-000	BOLT, FRICTION	1	1	1	1	1		
20	53106-ZV1-000	BLOCK, THROTTLE FRICTION	1	1	1	1	1		
21	53108-ZV1-000	STAY A, THROTTLE REEL	1	1	1	1	1		
22	53109-ZV1-000	RUBBER, HANDLE MOUNTING	2	2	2	2	2		
23	53111-ZV1-000	PLATE, STEERING HANDLE	1	1	1	1	1		
24	53112-ZV1-000	COLLAR, STEERING HANDLE	2	2	2	2	2		
25	53140-ZV1-A00	PIPE COMP., GRIP	1	1	1	1	1		
26	53165-ZV1-A00	RUBBER, GRIP	1	1	1	1	1		
27	90013-ZV0-010	BOLT, FLANGE, 6X12	1	1	1	1	1		
	90011-ZW9-000	BOLT, FLANGE, 6X14(CT200)	-	-	-	-	-	2000188 SGB 2000694 LGB LBU, LU, SBU, SU 2001753 LB, LD, LE, LEB 2006915 SB, SD, SE, SEB 2000189 SGB 2000695 LGB	
28	90011-ZW9-000	BOLT, FLANGE, 6X14(CT200)	1	1	1	1	1		
29	90106-ZV1-000	BOLT, PIPE GRIP	1	1	1	1	1		
30	90116-ZV1-000	BOLT, RECESSED, 5X8	1	1	1	1	1		
31	90302-921-000	NUT, HEX., 16MM	1	1	1	1	1		
32	90507-ZV1-000	WASHER, NYLON, 9MM	1	1	1	1	1		
33	90508-ZV1-000	WASHER, 7.5MM	1	1	1	1	1		
34	90511-921-000	WASHER, PLAIN, 10MM	2	2	2	2	2		
35	90759-ZV1-000	PIN, SPLIT, 2.0	1	1	1	1	1		
36	92101-06016-4J	BOLT, HEX., 6X16	2	2	2	2	2		
37	93500-04016-4J	SCREW, PAN, 4X16	1	1	1	1	1		
38	93500-05012-4J	SCREW, PAN, 5X12	1	1	1	1	1		
39	93700-06012-4J	SCREW, OVAL, 6X12	1	1	1	1	1		
40	94002-06490-0S	NUT, HEX., 6MM	1	1	1	1	1		
41	94305-30183	PIN, SPRING, 3X18	1	1	1	1	1		
42	94305-30323	PIN, SPRING, 3X32	1	1	1	1	1		
43	91403-881-000	CLIP B, CORD	1	1	1	1	1		
44	16818-ZV1-000	STAY, FUEL TUBE	-	-	-	-	-	LB, LD, LE, LEB, SB, SD, SE, SEB 2000189 SGB 2000695 LGB	
45	90659-KG4-000	CLAMP, WIRE, 8MM	-	-	-	-	-	LBU, LU, SBU, SU LB, LD, LE, LEB SB, SD, SE, SEB 2000189 SGB 2000695 LGB	





Ref. No.	L.O.N.	(Relative ref. Number)	Description	F.R.T.
1	3101M9		CONNECTOR, FUEL	0.1
5	2101BH		ROD, SHIFT SHAFT CAM	0.1
8	8101Q0		KNOB, CHOKE	0.1
10	2101G4		SPRING, CLICK	0.1
11	2091G8		SHAFT, SHIFT	0.9
			.INCLUDES: Engine removal and installation	
13	2101A5		ARM, SHAFT SHIFT	0.8
			.INCLUDES: Engine removal and installation	
18	616143		LAMP INDICATION	0.1
22	4141C7		LEVER, COVER LOCK	0.1

Ref. No.	Part No.	Description	Reqd. QTY								Serial No.	Parts catalogue code
			BF	BF	BF	BF	5A	5A	5A	4		
1	17710-ZV1-841ZB	CONNECTOR, FUEL *NH282MU*	1	1	1	1	1	1	1	1		
2	17714-ZV1-000	OYSTER SILVER METALLIC-U	1	1	1	1	1	1	1	1		
3	17918-ZV1-000	CAP, FUEL JOINT	1	1	1	1	1	1	1	1		
4	17938-ZV1-000	GROMMET, THROTTLE CABLE	1	1	1	1	1	1	1	1		
5	17944-ZV1-000	GROMMET B, CASE UNDER	1	1	1	1	1	1	1	1		
6	17945-ZV1-000	ROD, CAM	1	1	1	1	1	1	1	1		
7	17946-ZV1-000	BUSH, CAM ROD	1	1	1	1	1	1	1	1		
8	17951-ZV1-000	BUSH, LINKAGE	1	1	1	1	1	1	1	1		
9	17953-ZV1-000	KNOB, CHOKE	1	1	1	1	1	1	1	1		
10	24210-ZV1-010	GUIDE, CHOKE KNOB	1	1	1	1	1	1	1	1		
11	24610-ZV1-000	SPRING COMP., CLICK	1	1	1	1	1	1	1	1		
12	24611-ZV1-000	SHAFT COMP., SHIFT	1	1	1	1	1	1	1	1		
13	24612-ZV1-000	COLLAR, SHIFT SHAFT	1	1	1	1	1	1	1	1		
14	24621-921-010	ARM COMP., SHIFT	2	2	2	2	2	2	2	2		
15	31659-ZV1-000	BUSH, SHAFT	-	-	-	-	-	-	-	-		LC,LD,LE,LU,SC,SD,SE,SU
16	32972-402-830	GROMMET B, GENERATOR CORD	1	1	1	1	1	1	1	1		
17	36104-ZV1-000	TUBE, CORD CLAMP	-	-	-	-	-	-	-	-		
18	37210-ZV1-003	LAMP ASSY., INDICATOR	1	1	1	1	1	1	1	1		
19	50158-ZV1-000	RUBBER C, MOUNTING	1	1	1	1	1	1	1	1		
21	58131-ZV1-010	PIN, SHEAR	2	2	2	2	2	2	2	2		

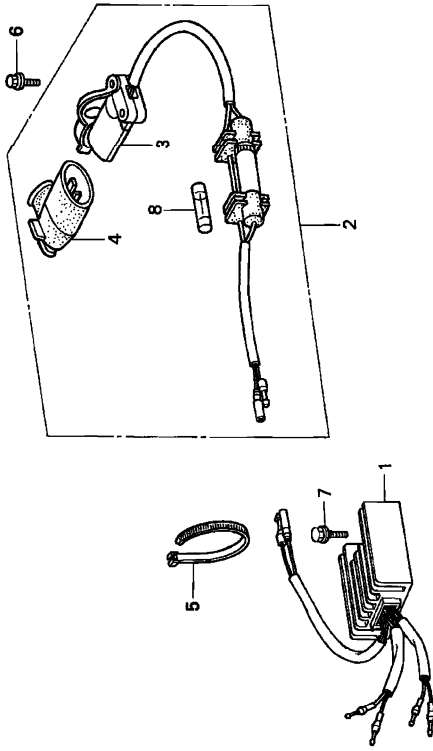


Ref. No.	Part No.	Description	Reqd. QTY					Serial No.	Parts catalogue code
			BF	BF	BF	BF	BF		
22	63201-ZV1-841ZB	LEVER, COVER LOCK *NH282NU*	1	1	1	1	1		
23	63202-ZV1-000	OYSTER SILVER METALLIC-U HOOK, COVER LOCK	1	1	1	1	1		
24	63205-920-000	BUSH, COVER LOCK	1	1	1	1	1		
25	88111-921-010	HOLDER, PARTS	1	1	1	1	1		
26	90013-ZV0-010	BOLT, FLANGE, 6X12	1	1	1	1	1		
27	90013-ZV4-010	BOLT, FLANGE, 6X20	1	1	1	1	1		
28	90302-921-000	NUT, HEX., 16MM	1	1	1	1	1		
29	90501-ZV1-000	WASHER, TONGUED	1	1	1	1	1		
30	90505-ZV1-000	WASHER, 14MM	1	1	1	1	1		
31	90506-ZV1-000	WASHER, WAVE, 14MM	1	1	1	1	1		
32	90512-921-010	WASHER, 6MM	1	1	1	1	1		
33	90652-ZV1-000	CLIP, CABLE	-	-	-	-	-		LC,LD,LE,LU,SC,SD,SE,SU
34	90674-ZV1-003	BAND, CABLE	1	1	1	1	1		
35	90754-ZV1-000	PIN, 5X34	1	1	1	1	1		LB,LBU,LEB,SB,SBU,SEB
36	90756-921-000	PIN, SPLIT, 1.6MM	1	1	1	1	1		
37	90758-ZV1-000	PIN, SPLIT	2	2	2	2	2		
38	91352-526-000	O-RING, 9.8X2.4	1	1	1	1	1		
39	91403-ZV1-000	CLIP, TUBE	1	1	1	1	1		
41	92101-05016-4J	BOLT, HEX., 5X16	1	1	1	1	1		
42	92101-06016-4J	BOLT, HEX., 6X16	1	1	1	1	1		
43	94305-30163	PIN, SPRING, 3X16	1	1	1	1	1		



REGULATOR RECTIFIER

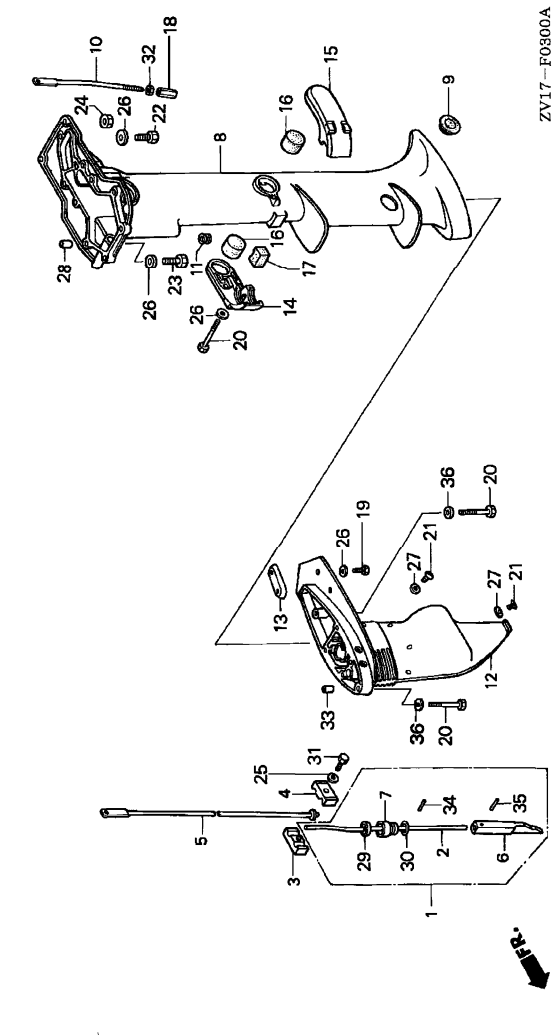
Ref. No.	L.O.N.	(Relative ref. Number)	Description	F.R.T.
1	6131B7		RECTIFIER, REGULATOR	0.3
2	6131B6		RECEPTACLE, CHARGE	0.2
3	6131A1		CONSENT, LAMP	0.2
8	8121B9		FUSE A	0.1



ZV17-F0220

Ref. No.	Part No.	Description	Reqd. QTY				Serial No.	Parts catalogue code
			BF 2	BF 4	BF 5A	BF 5A		
1	31620-ZV1-A01	RECTIFIER ASSY., REGULATOR	1	1	1	1	----- LB, LBU, LEB, SB, SBU, SEB	
2	31650-ZV1-A01	RECEPTACLE ASSY., CHARGE	1	1	1	1	1500131 LGB	
			1	1	1	1	1500239 SGB	
			1	1	1	1	1701911 LB, LEB	
			1	1	1	1	1706980 SB, SEB	
31650-ZV1-A02			1	1	1	1	1500132 LGB	
			1	1	1	1	1500240 SGB	
			1	1	1	1	1701912 LB, LEB	
			1	1	1	1	1706981 SB, SEB	
3	31651-ZV1-A01	CONSENT	1	1	1	1	----- LB, LBU, LEB, SB, SBU, SEB	
4	31652-881-014	PLUG, CONSENT	1	1	1	1	----- LB, LBU, LEB, SB, SBU, SEB	
31652-881-024			1	1	1	1	1500131 LGB	
			1	1	1	1	1500239 SGB	
			1	1	1	1	1701911 LB, LEB	
			1	1	1	1	1706980 SB, SEB	
			1	1	1	1	1500132 LGB	
			1	1	1	1	1500240 SGB	
5	32901-952-770	TIE, CABLE	1	1	1	1	----- LB, LEB	
6	90014-ZV1-010	BOLT, FLANGE, 5X22	2	2	2	2	----- SB, SEB	
			2	2	2	2	----- LB, LBU, LEB, SB, SBU, SEB	



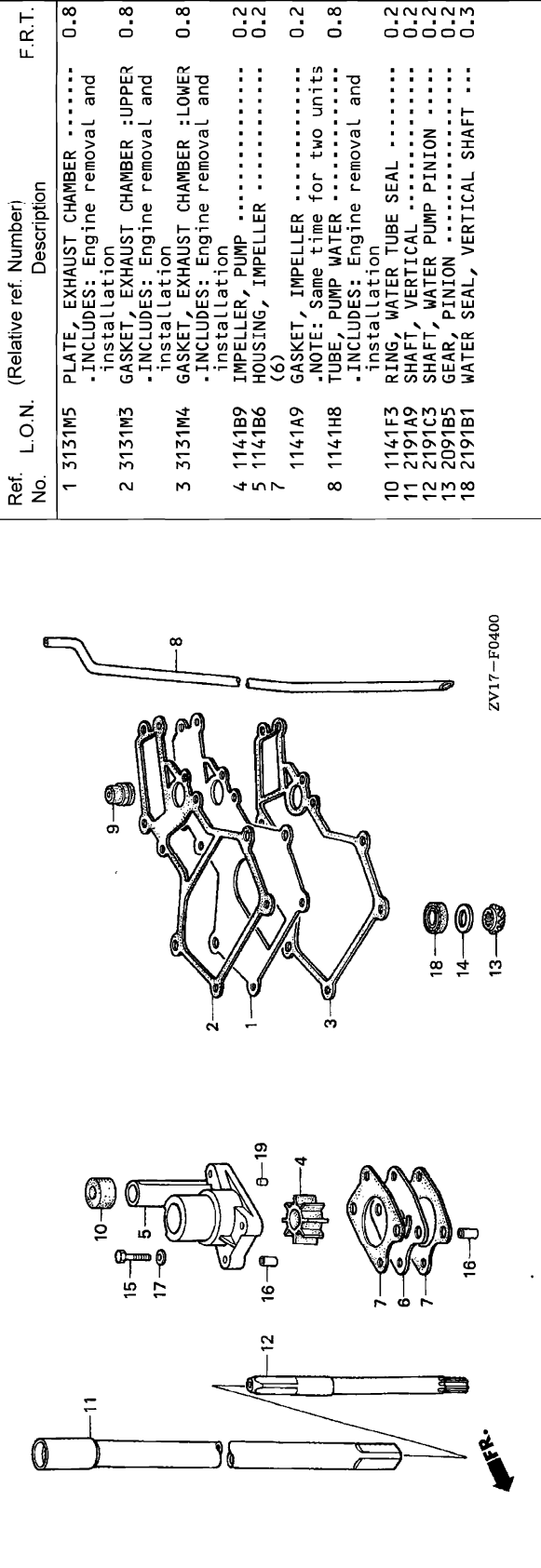


Ref. No.	L.O.N.	(Relative ref. Number)	Description	F.R.T.
1	2101P8		ROD B, SHIFT	0.2
5	2101P7		ROD A, SHIFT -INCLUDES: Engine removal and installation	0.8
6	2101X7		ROD, SHIFT PUSH	0.3
8	2191B2		CASE, EXTENSION -INCLUDES: Engine removal and installation	1.0
10	2091J6		SHAFT, REVERSE LOCK -INCLUDES: Engine removal and installation	0.8
12	2101D7		CASE, GEAR	0.4
13	2101V1		METAL, GEAR CASE ANODE	0.2
14	4141S1		HOUSING, MOUNTING :RIGHT LOWER	0.1
15	4141S0		HOUSING, MOUNTING :LEFT LOWER	0.1
16	4101BA		RUBBER A, LOWER MOUNTING	0.1
17	4101BB		RUBBER B, LOWER MOUNTING	0.1

Ref. No.	Part No.	Description	Reqd. QTY						Serial No.	Parts catalogue code
			BF	BF	BF	BF	5A	5A		
1	24310-ZV1-000	ROD COMP. B, SHIFT	1	1	1	1	1	1		
2	24311-ZV1-300	ROD B, SHIFT	1	1	1	1	1	1		
3	24312-ZV1-003	JOINT, R. SHIFT ROD	1	1	1	1	1	1		
4	24313-ZV1-003	JOINT, L. SHIFT ROD	1	1	1	1	1	1		
5	24320-ZV1-000	ROD A, SHIFT (S)	1	1	1	1	1	1		SB, SBK, SBU, SC, SD, SE, SEB, SGB, SU LB, LBK, LBU, LC, LD, LE, LEB, LGB, LU
6	24341-ZV1-300	ROD, PUSH	1	1	1	1	1	1		
7	24343-ZV1-000	HOLDER, SEAL	1	1	1	1	1	1		
8	40201-ZV1-942ZB	CASE, EXTENSION (L) *NH282MU* OYSTER SILVER METALLIC-U	1	1	1	1	1	1		
	40201-ZV1-843ZB	CASE, EXTENSION (S) *NH282MU*	1	1	1	1	1	1		1500131 LGB 1701986 LB, LD, LE, LEB 1707146 LC
	40201-ZV1-943ZB	CASE, EXTENSION (L) *NH282MU* OYSTER SILVER METALLIC-U	1	1	1	1	1	1		SB, SBK, SBU, SC, SD, SE, SEB, SGB, SU
	40201-ZV1-843ZB	CASE, EXTENSION (S) *NH282MU*	1	1	1	1	1	1		1500132 LGB LB, LBK, LBU, LD, LE, LEB, LGB, LU
9	40202-ZV1-000	GROMMET, EXTENSION	1	1	1	1	1	1		
10	40204-ZV1-000	SHAFT, REVERSE LOCK	1	1	1	1	1	1		1701987 LB, LD, LE, LEB 1707147 LC
11	40205-ZV1-000	GROMMET, LOCK SHAFT	1	1	1	1	1	1		

Ref. No.	Part No.	Description	Reqd. QTY						Serial No.	Parts catalogue code
			BF	4.5B	5A	5A	5A	4		
12	41100-ZV1-A00ZB	CASE COMP., GEAR *NH282MU*	2	4	6	2	3			
13	41106-ZV4-650	OYSTER SILVER METALLIC-U METAL, ANODE	1	1	1	1	1	1	1	
14	50111-ZV1-842ZB	HOUSING, R. LOWER MOUNTING *NH282MU*	1	1	1	1	1	1	1	
15	50121-ZV1-842ZB	OYSTER SILVER METALLIC-U HOUSING, L. LOWER MOUNTING *NH282MU*	1	1	1	1	1	1	1	
16	50152-ZV1-000	RUBBER A, LOWER MOUNTING	2	2	2	2	2	2	2	
17	50155-ZV1-000	RUBBER B, LOWER MOUNTING	1	1	1	1	1	1	1	
18	90005-ZV1-000	NUT, REVERSE LOCK	1	1	1	1	1	1	1	
19	90101-ZV1-000	BOLT, HEX., 6X18	2	2	2	2	2	2	2	
20	90102-ZV1-000	BOLT, HEX., 6X50	4	4	4	4	4	4	4	
21	90105-ZV4-650	BOLT, OIL CHECK, 8X8	3	3	3	3	3	3	3	
22	90111-881-000	BOLT, HEX., 6X32	7	7	7	7	7	7	7	
23	90120-ZV4-000	BOLT, HEX., 6X40	2	2	2	2	2	2	2	
24	90304-ZV4-000	NUT, HEX., 6MM	4	4	4	4	4	4	4	
25	90504-921-010	WASHER, PLAIN, 6MM	1	1	1	1	1	1	1	
26	90506-ZV4-000	WASHER, PLAIN, 6MM	13	13	13	13	13	13	13	
27	90507-921-000	WASHER, NYLON, 8MM	3	3	3	3	3	3	3	
28	90702-HC4-000	DOWEL PIN, 8X16	2	2	2	2	2	2	2	
29	91253-921-003	WATER SEAL, 6MM	1	1	1	1	1	1	1	
30	91303-ZV1-003	O-RING (10.8X2.5)	1	1	1	1	1	1	1	
31	92101-06016-4J	BOLT, HEX., 6X16	1	1	1	1	1	1	1	
32	94001-05490-0S	NUT, HEX., 5MM	1	1	1	1	1	1	1	
33	94301-08140	DOWEL PIN, 8X14	2	2	2	2	2	2	2	
34	94305-25102	PIN, SPRING, 2.5X10	1	1	1	1	1	1	1	
35	96220-25118	ROLLER, 2.5X11.8	1	1	1	1	1	1	1	
36	90504-921-010	WASHER, PLAIN, 6MM	2	-	-	2	2	2	-	

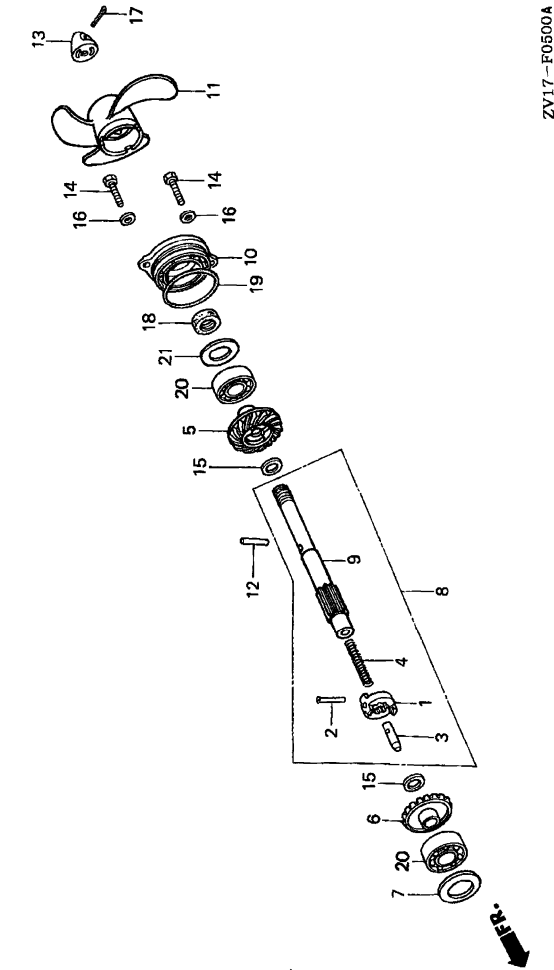




Ref. No.	L.O.N.	(Relative ref. Number)	Description	F.R.T.
1	3131M5		PLATE, EXHAUST CHAMBER -INCLUDES: Engine removal and installation	0.8
2	3131M3		GASKET, EXHAUST CHAMBER :UPPER -INCLUDES: Engine removal and installation	0.8
3	3131M4		GASKET, EXHAUST CHAMBER :LOWER -INCLUDES: Engine removal and installation	0.8
4	1141B9		IMPELLER, PUMP	0.2
5	1141B6		HOUSING, IMPELLER	0.2
7	1141A9		GASKET, IMPELLER	0.2
8	1141H8		TUBE, PUMP WATER	0.8
10	1141F3		RING, WATER TUBE SEAL	0.2
11	2191A9		SHAFT, VERTICAL	0.2
12	2191C3		SHAFT, WATER PUMP PINION	0.2
13	2091B5		GEAR, PINION	0.2
18	2191B1		WATER SEAL, VERTICAL SHAFT ...	0.3

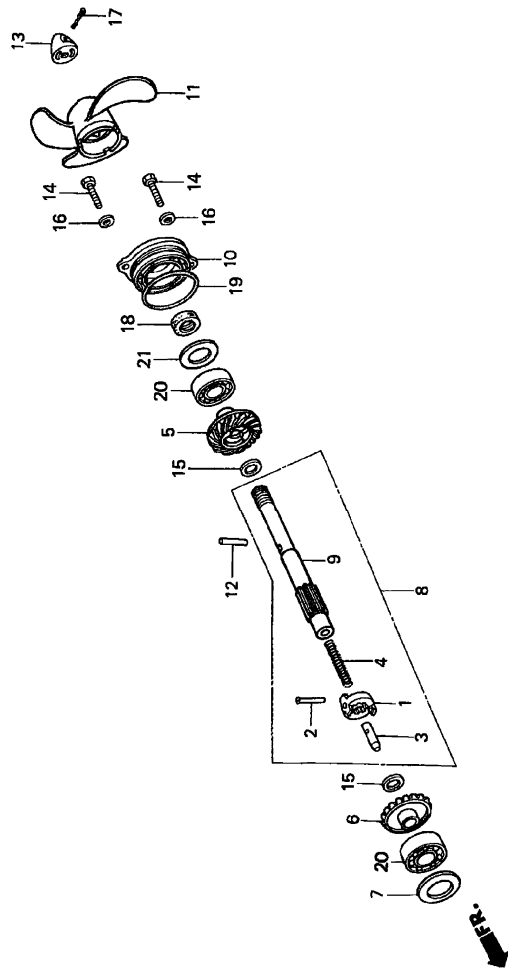
Ref. No.	Part No.	Description	Reqd. QTY						Serial No.	Parts catalogue code
			BF 4.5B	BF 4.5B	BF 5A	BF 5A	BF 5A	BF 5A		
1	12515-ZV1-010	PLATE, EX. CHAMBER	1	1	1	1	1	1		
2	12516-ZV1-850	GASKET, UPPER EX. CHAMBER ...	1	1	1	1	1	1		
3	12517-ZV1-850	GASKET, LOWER EX. CHAMBER ...	1	1	1	1	1	1		
4	19210-881-A02	IMPELLER, PUMP	1	1	1	1	1	1		
5	19220-ZV1-A00	HOUSING COMP., IMPELLER	1	1	1	1	1	1		
6	19231-ZV1-A00	COVER, IMPELLER	1	1	1	1	1	1		
7	19232-ZV1-A10	GASKET, IMPELLER	2	2	2	2	2	2		
8	19251-ZV1-010	TUBE, WATER (S)	1	1	1	1	1	1		SB, SBK, SBU, SC, SD, SE, SEB, SGB, SU
9	19252-ZV1-000	GROMMET, WATER TUBE	1	1	1	1	1	1		LB, LBK, LBU, LC, LD, LE, LEB, LGB, LU
10	19253-ZV1-000	RING, WATER TUBE SEAL	1	1	1	1	1	1		
11	41110-ZV1-010	SHAFT COMP., VERTICAL (S) ...	1	1	1	1	1	1		
12	41110-ZV1-701	SHAFT COMP., VERTICAL (L) ...	1	1	1	1	1	1		
13	41121-ZV1-010	SHAFT, PINION	1	1	1	1	1	1		
14	41131-ZV1-000	PINION	1	1	1	1	1	1		
15	41135-ZV1-000	WASHER A (1.00MM)	1	1	1	1	1	1		
16	41136-ZV1-000	WASHER B (1.05MM)	1	1	1	1	1	1		
17	90108-881-000	BOLT, HEX., 6X28	4	4	4	4	4	4		
18	90112-881-000	COLLAR B, DISTANCE	4	4	4	4	4	4		
19	90504-921-010	WASHER, PLAIN, 6MM	4	4	4	4	4	4		
20	91252-ZV1-003	SEAL, WATER, 13MM(CARAI) ...	1	1	1	1	1	1		
21	96220-40100	ROLLER, 4X10	2	2	2	2	2	2		

Ref. No.	L.O.N.	(Relative ref. Number)	Description	F.R.T.
1	2191B3		SHIFTER, CLUTCH	0.3
5	2091A7		GEAR, PROPELLER SHAFT BEVEL :REAR	0.2
6	2091A6		GEAR, PROPELLER SHAFT BEVEL :FRONT	0.3
8	2131Q5		SHAFT ASSEMBLY, PROPELLER	0.2
9	2131K1	(19)	SHAFT, PROPELLER	0.3
10	2191A6		HOLDER, PROPELLER SHAFT	0.2
11	2191A8		PROPELLER, THREE BLADES	0.1
18	2131P3		WATER SEAL, PROPELLER SHAFT	0.2
20	2191A0		BEARING, PROPELLER SHAFT :FRONT	0.3
	2191B8		BEARING, PROPELLER SHAFT :REAR	0.2



Ref. No.	Part No.	Description	Reqd. QTY						Serial No.	Parts catalogue code
			BF	BF	BF	BF	5A	5A		
1	24101-ZV1-300	SHIFTER, CLUTCH	1	1	1	1	1	1		
2	24102-ZV1-300	PIN, SHIFTER, 3X26	1	1	1	1	1	1		
3	24122-ZV1-300	SLIDER, SHIFT	1	1	1	1	1	1		
4	24123-ZV1-300	SPRING, SHIFT	1	1	1	1	1	1		
5	41150-ZV1-000	GEAR COMP., BEVEL (R)	1	1	1	1	1	1		
6	41145-ZV1-000	GEAR COMP., BEVEL (F)	1	1	1	1	1	1		
7	41158-ZV1-000	SHIM B, GEAR (0.10MM)	-	-	N	-	-	-		1700154 LB,LD,LE,LEB
	41159-ZV1-000	SHIM C, GEAR (0.15MM)	-	-	N	-	-	-		1701363 LC,SB,SC,SD,SE,SEB
	41158-ZV1-000	SHIM B, GEAR (0.10MM)	-	-	N	-	-	-		1700154 LB,LD,LE,LEB
	41159-ZV1-000	SHIM C, GEAR (0.15MM)	-	-	N	-	-	-		1701363 LC,SB,SC,SD,SE,SEB
	41159-ZV1-000	SHIM C, GEAR (0.15MM)	1	1	1	1	1	1		1700155 LB,LD,LE,LEB
	41159-ZV1-000	SHIM C, GEAR (0.15MM)	1	1	1	1	1	1		1701364 LC,SB,SC,SD,SE,SEB
8	41160-ZV1-000	SHAFT COMP., PROPELLER	1	1	1	1	1	1		
9	41161-ZV1-300	SHAFT, PROPELLER	1	1	1	1	1	1		
10	41201-ZV1-842ZB	HOLDER, PROPELLER SHAFT *NH282MU*	1	1	1	1	1	1		
	41201-ZV1-843ZB	OYSTER SILVER METALLIC-U *NH282MU*	-	-	-	-	-	-		1700154 LB,LD,LE,LEB
	41201-ZV1-843ZB	OYSTER SILVER METALLIC-U	1	1	1	1	1	1		1701363 LC,SB,SC,SD,SE,SEB
	41201-ZV1-843ZB	OYSTER SILVER METALLIC-U	-	-	-	-	-	-		1700155 LB,LD,LE,LEB
	41201-ZV1-843ZB	OYSTER SILVER METALLIC-U	-	-	-	-	-	-		1701364 LC,SB,SC,SD,SE,SEB





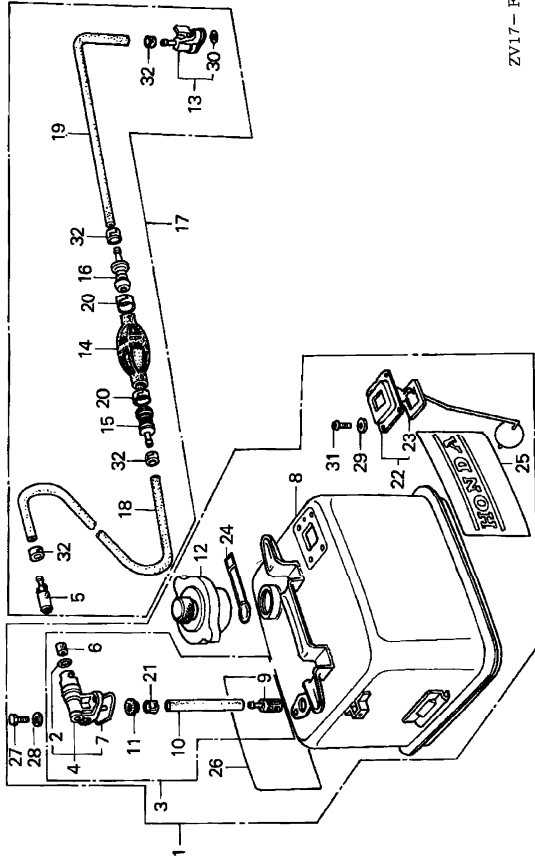
ZV17-F0500A

Ref. No.	Part No.	Description	Reqd. QTY				Serial No.	Parts catalogue code
			BF 2	BF 4	BF 5A	BF 5A 4		
11	58130-ZV1-840ZB	PROPELLER COMP., THREE BLADES (200X190)	1	1	1	1	-----	LB,LC,LD,SB,SC,SD
		NH283.....STIN GRAY	-	-	-	-	-----	-----
	58130-ZV1-940ZB	PROPELLER COMP., THREE BLADES (200X170)	-	-	-	-	-----	LBU,LE,LEB,LU,SBU,SE,SEB,SU
		NH283.....STIN GRAY	-	-	-	-	-----	-----
12	58131-ZV1-010	PIN, SHEAR	1	1	1	1	-----	-----
13	58141-ZV1-000	CAP, PROPELLER	1	1	1	1	-----	-----
14	90101-ZV1-000	BOLT, HEX., 6X18	2	2	2	2	-----	-----
15	90503-ZV1-000	WASHER, 13MM	2	2	2	2	-----	-----
16	90506-ZV4-000	WASHER, PLAIN, 6MM	2	2	2	2	-----	-----
17	90758-ZV1-000	PIN, SPLIT	1	1	1	1	-----	-----
18	91252-ZV1-003	SEAL, WATER, 13MM(ARAI)	1	1	1	1	-----	-----
19	91351-ZV1-003	O-RING (52MM)	1	1	1	1	-----	-----
20	96100-60040-00	BEARING, RADIAL BALL, 6004	2	2	2	2	-----	-----
21	41158-ZV1-000	SHIM B, GEAR (0.10MM)	-	-	-	-	-----	1700154 LB,LD,LE,LEB
			-	-	-	-	-----	1701363 LC,SB,SC,SD,SE,SEB
	41159-ZV1-000	SHIM C, GEAR (0.15MM)	-	-	-	-	-----	1700154 LB,LD,LE,LEB
			-	-	-	-	-----	1701363 LC,SB,SC,SD,SE,SEB

F-6

FUEL TANK(STANDARD)

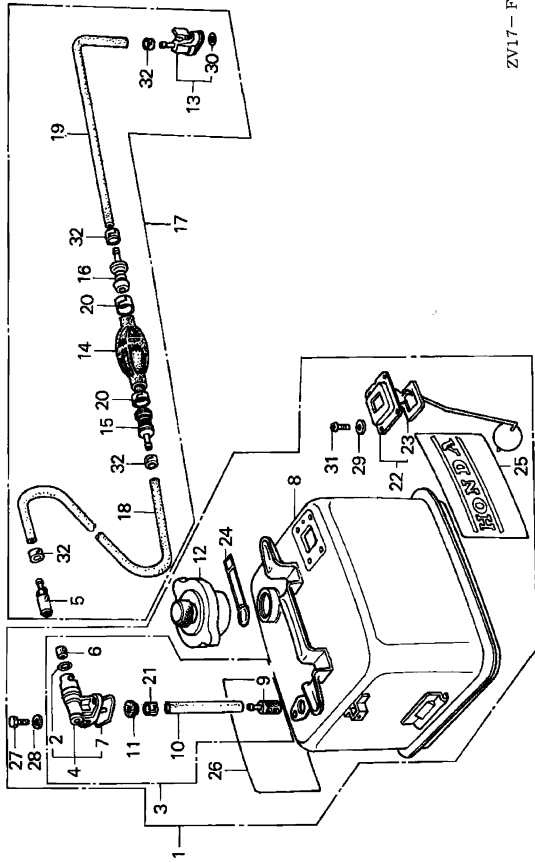
F12



Ref. No.	L.O.N.	(Relative ref. Number)	Description	F.R.T.
1	3101S7	TANK KIT, FUEL	0.2
4	3101S6	JOINT, FUEL CONSENT	0.2
8	3101H7	TANK, FUEL	0.2
9	3101A6	FILTER, FUEL	0.2
14	3101A2	BULB, PRIMER	0.2
17	3101S8	TUBE, PRIMER BULB FUEL	0.1
18	3101E8	TUBE, FUEL LONG	0.1
19	3101E9	TUBE, FUEL SHORT	0.1
22	6171A1	METER/GAUGE UNIT, FUEL	0.1

Ref. No.	Part No.	Description	Reqd. QTY						Serial No.	Parts catalogue code
			BF	BF	BF	BF	5A	4		
1	06175-881-C41ZA	TANK KIT, FUEL (BODENSEE) *R8*.....BRIGHT RED	1	-	-	-	-	-	2000032 SGB	
	06175-881-C42ZB	TANK KIT, FUEL (BODENSEE) *R280*.....POWER RED	1	-	-	-	-	-	2000091 LGB	
	06175-881-C12ZB	TANK KIT, FUEL (D) *R280*.....POWER RED	-	-	-	-	-	-	2000574 LB, LD	
2	16075-935-006	O-RING	1	-	-	-	-	-	2003458 SB, SD	
3	16900-881-010	JOINT COMP. A, FUEL	1	-	-	-	-	-	2000032 SGB	
			1	-	-	-	-	-	2000091 LGB	
			1	-	-	-	-	-	2000574 LB, LD	
			1	-	-	-	-	-	2003458 SB, SD	
4	16951-935-006	JOINT A, FUEL CONSENT	1	-	-	-	-	-	2000032 SGB	
			1	-	-	-	-	-	2000091 LGB	
			1	-	-	-	-	-	2000574 LB, LD	
			1	-	-	-	-	-	2003458 SB, SD	





Ref. No.	Part No.	Description	Reqd. QTY				Serial No.	Parts catalogue code
			BF 4.5B	BF 4.5B	BF 5A	BF 4		
5	16952-935-016	JOINT B, FUEL CONSENT	1	-	-	-	-	2000032 SGB 2000091 LGB ----- LB,LD,SB,SD 2000574 LB,LD 2003458 SB,SD
6	16953-935-000	ABSORBER, FUEL	1	-	-	-	-	2000032 SGB 2000091 LGB ----- LB,LD,SB,SD 2000574 LB,LD 2003458 SB,SD
7	16962-865-010	RING, COCK SEAL	1	-	-	-	-	2000032 SGB 2000091 LGB ----- LB,LD,SB,SD 2000574 LB,LD 2003458 SB,SD
8	17500-881-C00ZA	TANK COMP., FUEL *R8*.....BRIGHT RED	-	-	-	-	-	1701050 LB,LD 1704301 SB,SD 1500049 LGB 1500186 SGB
	17500-881-C40ZA	*R8*.....BRIGHT RED	1	-	-	-	-	1701051 1704302
	17500-881-C01ZB	*R280*.....POWER RED	-	-	-	-	-	2000159 LB,LD 2001276 SB,SD

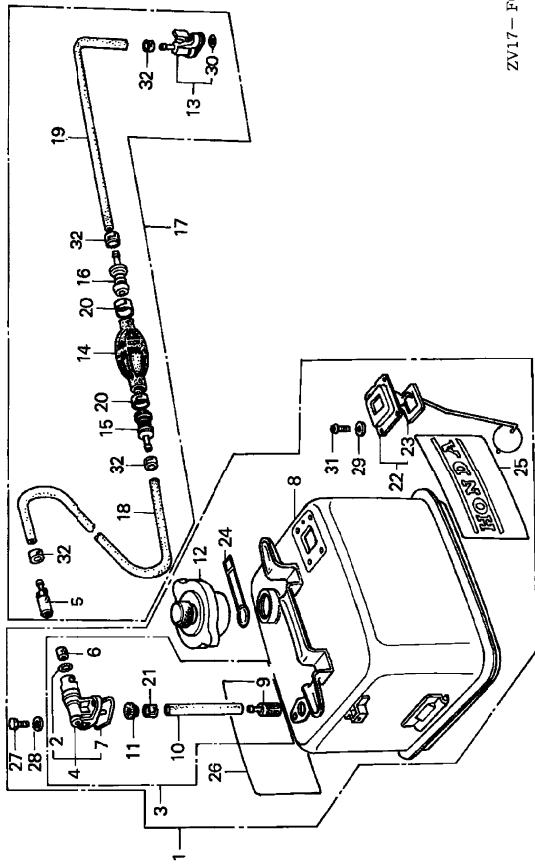
F-6

FUEL TANK(STANDARD)

F14

Ref. No.	Part No.	Description	Reqd. QTY				Serial No.	Parts catalogue code
			BF 4.5B 2	BF 4.5B 4	BF 5A 2	BF 5A 4		
(8)	17500-881-C41ZB	TANK COMP., FUEL *R280*.....POWER RED	1	-	-	-	1500050 1500187	----- LGB ----- SGB
	17500-881-C0ZB	*R280*.....POWER RED	-	1	-	-	2000008 2000067	SGB LGB
	17500-881-C4ZB	*R280*.....POWER RED	-	-	-	1	2000160 2001277	LB,LD SB,SD
9	17583-881-000	FILTER, FUEL	1	-	-	-	2000009 2000068	2000032 SGB 2000091 LGB
10	17611-935-000	TUBE, INNER	1	-	-	-	2000032 2000091	SGB LGB
			-	-	-	1	2000574 2003458	LB,LD,SB,SD SB,SD
11	17612-881-000	SEAL, INNER	1	-	-	-	2000032 2000091	SGB LGB
			-	-	-	1	2000574 2003458	LB,LD,SB,SD SB,SD
12	17620-881-053	CAP COMP., FUEL FILLER	1	-	-	-	2000032 2000091	SGB LGB
			-	-	-	1	2000574 2003458	LB,LD,SB,SD SB,SD
13	17650-921-003ZB	CONNECTOR COMP., FUEL *NH1*.....BLACK	1	-	-	-	2000032 2000091	SGB LGB
			-	-	-	1	2000574 2003458	LB,LD,SB,SD SB,SD
14	17661-921-000	BULB, PRIMER	1	-	-	-	2000008 2000067	SGB LGB
			-	-	-	1	2000159 2001379	LB,LD,SB,SD SB,SD
	17661-921-010	1	-	-	-	2000009 2000068	2000032 SGB LGB
			-	-	-	1	2000160 2001380	2000574 LB,LD 2003458 SB,SD
15	17670-921-000	VALVE COMP., IN.	1	-	-	-	2000032 2000091	SGB LGB
			-	-	-	1	2000574 2003458	LB,LD,SB,SD SB,SD





ZV17-F0600B

Ref. No.	Part No.	Description	Reqd. QTY					Serial No.	Parts catalogue code
			BF 2	BF 4	BF 6	BF 2	BF 3		
16	17680-921-000	VALVE COMP., OUTLET	1	-	-	-	-	-	2000032 SGB
				1	-	-	-	-	2000091 LGB
					1	-	-	-	LB,LD,SB,SD
						1	-	-	2000574 LB,LD
							1	-	2003458 SB,SD
17	17700-881-000ZD	TUBE COMP., FUEL *NH1*.....BLACK	1	-	-	-	-	-	1500073 LGB
			1	-	-	-	-	-	1500202 SGB
				1	-	-	-	-	1701507 LB,LD
					1	-	-	-	1705065 SB,SD
						1	-	-	1500074 LGB
			1	-	-	-	-	-	1500203 SGB
			1	-	-	-	-	-	2000032 SGB
				1	-	-	-	-	2000091 LGB
					1	-	-	-	1701508 LB,LD
						1	-	-	1705066 SB,SD
							1	-	2000574 LB,LD
								1	2003458 SB,SD
18	17701-881-000	TUBE, FUEL LONG	1	-	-	-	-	-	2000032 SGB
			1	-	-	-	-	-	2000091 LGB
				1	-	-	-	-	LB,LD,SB,SD
					1	-	-	-	2000574 LB,LD
						1	-	-	2003458 SB,SD



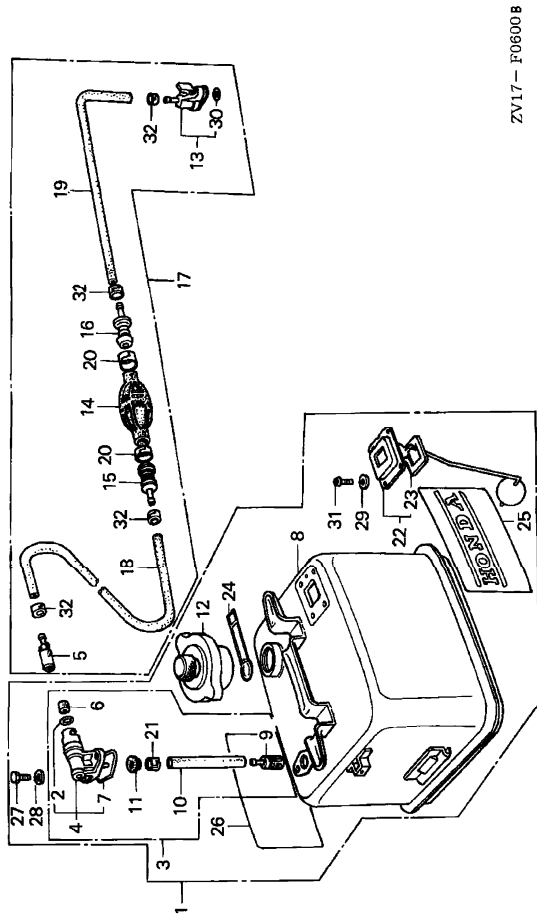
F-6

FUEL TANK(STANDARD)

F16

Ref. No.	Part No.	Description	Reqd. QTY						Serial No.	Parts catalogue code
			BF 2	BF 4	BF 5B	BF 6	BF 5A	BF 4		
19	17702-921-000	TUBE, FUEL SHORT	1	-	-	-	-	-	2000032 SGB 2000091 LGB	
			-	1	-	-	-	-	----- LB,LD,SB,SD	
20	17703-921-000	BAND, TUBE CLIP, 20MM	2	-	-	-	-	-	2000574 LB,LD 2003458 SB,SD	
			2	-	-	-	-	-	1500073 LGB	
			-	2	-	-	-	-	1500202 SGB	
			-	-	2	-	-	-	1701507 LB,LD 1705065 SB,SD	
			2	-	-	-	-	-	1500074 ----- LGB	
			2	-	-	-	-	-	1500203 ----- SGB	
			-	2	-	-	-	-	2000032 SGB	
			-	-	2	-	-	-	2000091 LGB	
			-	-	-	2	-	-	----- LB,LD	
			-	-	-	-	2	-	----- SB,SD	
			-	-	-	-	-	2	2000574 LB,LD 2003458 SB,SD	
21	17704-921-000	BAND, TUBE CLIP, 11MM	1	-	-	-	-	-	2000032 SGB 2000091 LGB	
			-	1	-	-	-	-	----- LB,LD,SB,SD	
22	17800-ZV1-611	METER ASSY., FUEL	1	-	-	-	-	-	2000574 LB,LD 2003458 SB,SD	
			-	-	-	-	-	-	----- LB,LD,SB,SD	
23	17803-GC3-003	PACKING, FUEL METER	1	-	-	-	-	-	2000032 SGB 2000091 LGB	
			-	1	-	-	-	-	----- LB,LD,SB,SD	
24	87571-881-671	MARK, TANK CAUTION (ENGLISH/FRENCH)	1	-	-	-	-	-	2000574 LB,LD 2003458 SB,SD	
			-	1	-	-	-	-	----- LB,LD,SB,SD	
25	87573-881-C40	MARK B, TANK (ENGLISH)	1	-	-	-	-	-	2000032 SGB 2000091 LGB	
			-	1	-	-	-	-	----- LB,LD,SB,SD	
			1	-	-	-	-	-	2000574 LB,LD 2003458 SB,SD	
			1	-	-	-	-	-	1500049 LGB	
			1	-	-	-	-	-	1500186 SGB	
			1	-	-	-	-	-	1500049 LGB	
			1	-	-	-	-	-	1500186 SGB	
			-	-	1	-	-	-	1701050 LB,LD	
			1	-	-	-	-	-	1704301 SB,SD	
			1	-	-	-	-	-	----- LGB	
			1	-	-	-	-	-	1500050 ----- SGB	
			1	-	-	-	-	-	1500187 ----- SGB	
			-	1	-	-	-	-	2000032 SGB 2000091 LGB	





ZV17-F06008

Ref. No.	Part No.	Description	Reqd. QTY								Serial No.	Parts catalogue code
			BF	BF	BF	BF	5A	5A	3	4		
25)	87573-881-671	MARK, TANK (ENGLISH)	1	1	1	1	1	1	1	150050	----- LGB	
			1	1	1	1	1	1	1	1500187	----- SGB	
			1	1	1	1	1	1	1	2000032	SGB	
			1	1	1	1	1	1	1	2000091	LGB	
			1	1	1	1	1	1	1	1701051	LB, LD	
			1	1	1	1	1	1	1	1704302	SB, SD	
			1	1	1	1	1	1	1	2000574	LB, LD	
			1	1	1	1	1	1	1	2003458	SB, SD	
26	87574-881-C40	MARK B, TANK (FRENCH)	1	1	1	1	1	1	1	1500049	LGB	
			1	1	1	1	1	1	1	1500186	SGB	
	87574-881-670	MARK, TANK (FRENCH)	1	1	1	1	1	1	1	1500049	LGB	
			1	1	1	1	1	1	1	1500186	SGB	
			1	1	1	1	1	1	1	1701050	LB, LD	
			1	1	1	1	1	1	1	1704301	SB, SD	
87574-881-C41	MARK B, TANK (FRENCH)		1	1	1	1	1	1	1	1500050	LGB	
			1	1	1	1	1	1	1	1500187	SGB	
			1	1	1	1	1	1	1	2000032	SGB	
			1	1	1	1	1	1	1	2000091	LGB	
87574-881-671	MARK, TANK (FRENCH)		1	1	1	1	1	1	1	1500050	LGB	
			1	1	1	1	1	1	1	1500187	SGB	
			1	1	1	1	1	1	1	2000032	SGB	
			1	1	1	1	1	1	1	2000091	LGB	
			1	1	1	1	1	1	1	1701051	LB, LD	
			1	1	1	1	1	1	1	1704302	SB, SD	
			1	1	1	1	1	1	1	2000574	LB, LD	
			1	1	1	1	1	1	1	2003458	SB, SD	

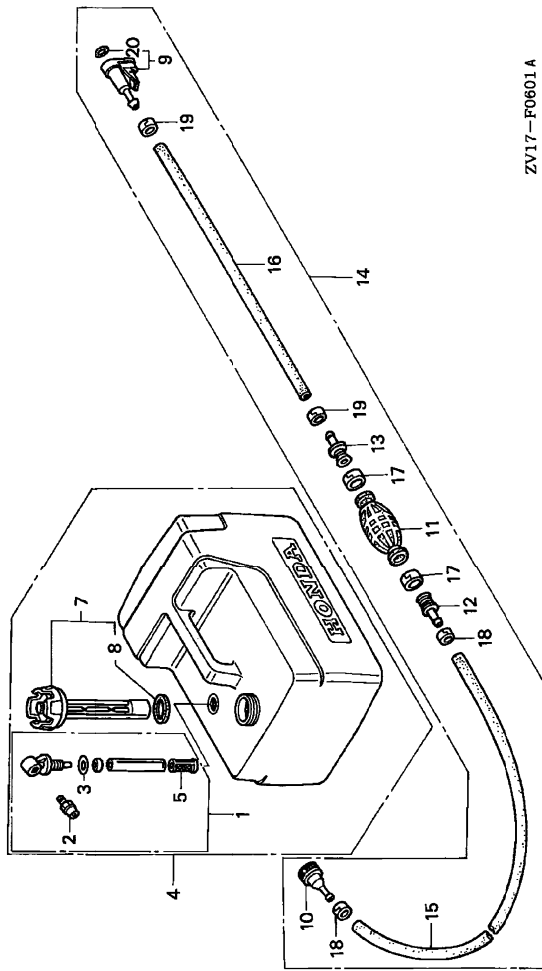


F-6

FUEL TANK(STANDARD)

G 2

Ref. No.	Part No.	Description	Reqd. QTY				BF 5A	BF 5A	BF 5A	Serial No.	Parts catalogue code
			BF 4.5B 2	BF 4.5B 4	BF 5A 6	BF 5A 2					
27	90120-881-010	BOLT, FLANGE, 6X16	2	2	2	1	1	1	2000032 SGB 2000091 LGB		
28	90445-700-000	PACKING, FIBER, 6MM	2	2	2	2	2	2	2000574 LB,LD 2003458 SB,SD		
29	90540-881-000	PACKING, FIBER, 5MM	4	4	4	4	4	4	2000032 SGB 2000091 LGB		
30	91353-921-310	O-RING, 5.5MM	1	1	1	1	1	1	2000574 LB,LD 2003458 SB,SD		
31	93500-05010-4J	SCREW, PAN, 5X10	4	4	4	4	4	4	2000032 SGB 2000091 LGB		
32	17704-921-000	BAND, TUBE CLIP, 11MM	4	4	4	4	4	4	2000574 LB,LD 2003458 SB,SD		
	17704-ZW9-660	4	4	4	4	4	4	1500074 LGB 1701507 LB,LD 1705065 SB,SD		
			4	4	4	4	4	4	1500074 LGB 1701507 LB,LD 1705065 SB,SD		
			4	4	4	4	4	4	2000032 SGB 2000091 LGB		
			4	4	4	4	4	4	1701508 LB,LD 1705066 SB,SD		
			4	4	4	4	4	4	2000574 LB,LD 2003458 SB,SD		



Ref. No.	L.O.N.	(Relative ref. Number)	Description	F.R.T.
1	3101L5		JOINT, FUEL	0.1
4	3101D0		TANK, FUEL(A)	0.1
5	3101R0		FILTER, FUEL(A)	0.1
11	3101S9		BULB, PRIMER(A)	0.1
14	3101S8		TUBE, PRIMER BULB FUEL	0.1
15	3101E8		TUBE, FUEL LONG	0.1
16	3101E9		TUBE, FUEL SHORT	0.1

Ref. No.	Part No.	Description	Reqd. QTY				Serial No.	Parts catalogue code
			BF 4.5B 2	BF 4.5B 4	BF 5A 2	BF 5A 3		
1	16900-ZV4-A21	JOINT ASSY., FUEL	-	-	-	-	1701881 LE,LEB	
			-	-	-	-	1706953 LC,SC,SE,SEB	
			-	-	-	-	1802506	
	16900-ZV4-A22		1	-	-	-	2000033 SGB	
			1	-	-	-	2000092 LGB	
			-	-	-	-	1701882 LE,LEB	
			-	-	-	-	1706954 LC,SC,SE,SEB	
			-	-	-	-	1802507	
			-	-	-	-	2000575 LB,LD	
			-	-	-	-	2003459 SB,SD	
			1	-	-	-	2000033 SGB	
			1	-	-	-	2000092 LGB	
			-	-	-	-	1701881 LE,LEB	
			-	-	-	-	1706953 LC,SC,SE,SEB	
			-	-	-	-	1802506	
2	16977-ZV5-A00	FITTING, QUICK DISCONNECT	-	-	-	-	1701881 LE,LEB	
			-	-	-	-	1706953 LC,SC,SE,SEB	
			-	-	-	-	1802506	
3	16979-ZV5-900	O-RING	-	-	-	-	1701881 LE,LEB	
			-	-	-	-	1706953 LC,SC,SE,SEB	
			-	-	-	-	1802506	

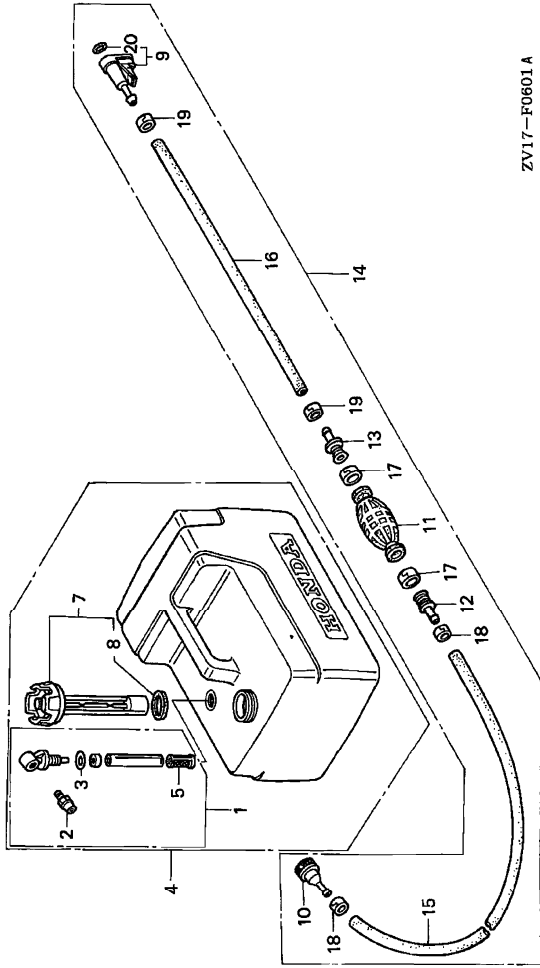
F-6-1

FUEL TANK(PLASTICS)

G 4

Ref. No.	Part No.	Description	Reqd. QTY						Serial No.	Parts catalogue code
			BF 2	BF 4	BF 4.5B	BF 6	BF 5A	BF 5A		
(3)	16979-ZV5-901	O-RING	1	1	1	1	1	2000033	SGB	
								2000092	LGB	
4	17500-ZV4-A21	TANK ASSY., FUEL		1				1701882	LE,LEB	
								1706954	LC,SC,SE,SEB	
								1802507		
								2000575	LBU,LE,LEB,LU,SBU,SE,SEB,SU	
								2003459	LB,LD	
								1701881	SB,SD	
								1706953	LC,SC,SE,SEB	
								1802506		
17500-ZV4-A22								1701882	LE,LEB	
								1706954	LC,SC,SE,SEB	
								1802507		
17500-ZV4-A23								2000574	LE,LEB	
								2003458	SE,SEB	
								2000033	SGB	
								2000092	LGB	
5	17583-ZV5-900	FILTER, FUEL		1				2000575	LBU,LU,SBU,SU	
								2003459	LB,LD,LE,LEB	
								1701881	SB,SD,SE,SEB	
								1706953	LC,SC,SE,SEB	
								1802506		
17583-ZV5-901								2000033	SGB	
								2000092	LGB	
								1701882	LE,LEB	
								1706954	LC,SC,SE,SEB	
								1802507		
								2000575	LBU,LE,LEB,LU,SBU,SE,SEB,SU	
								2003459	LB,LD	
								1701881	LE,LEB	
								1706953	LC,SC,SE,SEB	
								1802506		
7	17620-ZV4-A20	CAP COMP., FUEL FILLER		1				1701881	LE,LEB	
								1706953	LC,SC,SE,SEB	
								1802506		
17620-ZV4-A21								1701882	LE,LEB	
								1706954	LC,SC,SE,SEB	
								1802507		
								2000574	LE,LEB	
								2003458	SE,SEB	
17620-ZV4-A22								2000033	SGB	
								2000092	LGB	
								1701881	LBU,LU,SBU,SU	
								2000575	LB,LD,LE,LEB	
								2003459	SB,SD,SE,SEB	
8	17624-ZV4-A20	PACKING, FUEL CAP		1				1701881	LE,LEB	
								1706953	LC,SC,SE,SEB	
								1802506		
17624-ZV5-901								1701882	LE,LEB	
								1706954	LC,SC,SE,SEB	
								2000574	LE,LEB	
								2003458	SE,SEB	





ZV17-F0601 A

Ref. No.	Part No.	Description	Reqd. QTY				Serial No.	Parts catalogue code
			BF	BF	BF	BF		
			4.5B	4.5B	5A	5A		
			2	4	6	2	3	4
(8)	17624-ZV5-902	PACKING, FUEL CAP	-	1	-	-	2000033	--- SGB
			-	1	-	-	2000092	--- LGB
9	17650-921-003ZB	CONNECTOR COMP., FUEL *NHT*.....BLACK	-	-	-	-	---	--- LBU,LU,SBU,SU
			-	-	-	-	---	--- LB,LD,LE,LEB
			-	-	-	-	---	--- SB,SD,SE,SEB
10	17660-ZV5-A00	CONNECTOR COMP., FUEL	-	-	-	-	---	--- SGB
			-	-	-	-	---	--- LGB
			-	-	-	-	---	--- LBU,LC,LE,LEB,LU,SBU,SC,SE,SEB,SU
			-	-	-	-	---	--- LB,LD
			-	-	-	-	---	--- SB,SD
			-	-	-	-	---	--- 1700908 LE,LEB
			-	-	-	-	---	--- 1703939 LC,SC,SE,SEB
			-	-	-	-	---	--- 2000033
			-	-	-	-	---	--- 2000092
			-	-	-	-	---	--- 1700909
			-	-	-	-	---	--- LE,LEB
			-	-	-	-	---	--- LC,SC,SE,SEB
			-	-	-	-	---	--- 1703940
			-	-	-	-	---	--- LC,SC,SE,SEB
			-	-	-	-	---	--- LBU,LE,LEB,LU,SBU,SE,SEB,SU
			-	-	-	-	---	--- LB,LD
			-	-	-	-	---	--- 2000575
			-	-	-	-	---	--- 2003459
			-	-	-	-	---	--- SB,SD
11	17661-921-000	BULB, PRIMER	-	-	-	-	---	--- LC,LE,LEB,SC,SE,SEB
			-	-	-	-	---	---
			-	-	-	-	---	--- 200159
			-	-	-	-	---	--- LE,LEB
			-	-	-	-	---	--- 2001379
			-	-	-	-	---	--- SE,SEB



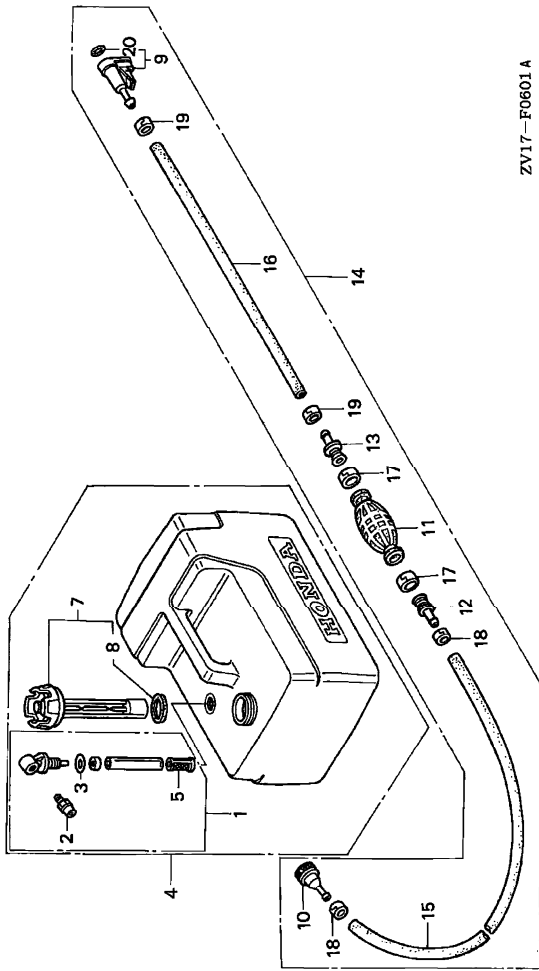
F-6-1

FUEL TANK(PLASTICS)

G 6

Ref. No.	Part No.	Description	Reqd. QTY					Serial No.	Parts catalogue code
			BF 4.5B 2	BF 4.5B 4	BF 5A 2	BF 5A 3	BF 5A 4		
11)	17661-921-010	BULB, PRIMER	-	1	-	-	-	2000333 2000092	SGB LGB
			-	1	-	-	-		LBU,LU,SBU,SU LE,LEB
			-	-	-	-	-	2000160 2000575	LB,LD SE,SEB
			-	-	-	-	-	2001380 2003459	SB,SD SGB
12	17665-ZV5-000	VALVE COMP., IN.	-	1	-	-	-	2000033 2000092	SGB LGB
			-	1	-	-	-		LBU,LC,LE,LEB,LU,SBU,SC,SE,SEB,SU LB,LD
			-	-	-	-	-	2000575 2003459	SB,SD SGB
13	17680-921-000	VALVE COMP., OUTLET	-	1	-	-	-	2000033 2000092	SGB LGB
			-	1	-	-	-		LBU,LC,LE,LEB,LU,SBU,SC,SE,SEB,SU LB,LD
			-	-	-	-	-	2000575 2003459	SB,SD SGB
14	17700-881-C01ZA	TUBE COMP., FUEL *NH1*.....BLACK	-	-	1	-	-	1700908 1703939	LE,LEB LC,SC,SE,SEB
			-	-	1	-	-	1700909 1703940	LE,LEB LC,SC,SE,SEB
17700-881-C02ZA		*NH1*.....BLACK	-	-	1	-	-	1801324	SGB
17700-881-C03ZA		*NH1*.....BLACK	-	-	1	-	-	2000033 2000092	SGB LGB
			-	1	-	-	-	1801325	LBU,LE,LEB,LU,SBU,SE,SEB,SU LB,LD
			-	-	-	-	-	2000575 2003459	SB,SD SGB
15	17701-ZV5-000	TUBE, FUEL LONG (7.5X2000) ..	-	1	-	-	-	2000033 2000092	SGB LGB
			-	1	-	-	-		LBU,LC,LE,LEB,LU,SBU,SC,SE,SEB,SU LB,LD
			-	-	-	-	-	2000575 2003459	SB,SD SGB
16	17702-921-000	TUBE, FUEL SHORT	-	1	-	-	-	2000033 2000092	SGB LGB
			-	1	-	-	-		LBU,LC,LE,LEB,LU,SBU,SC,SE,SEB,SU LB,LD
			-	-	-	-	-	2000575 2003459	SB,SD SGB
17	17703-921-000	BAND, TUBE CLIP, 20MM	-	-	2	-	-	1801324	LC,LE,LEB,SC,SE,SEB
17703-921-010		-	-	2	-	-	2000033 2000092	SGB LGB
			-	2	-	-	-	1801325	LBU,LE,LEB,LU,SBU,SE,SEB,SU LB,LD
			-	-	-	-	-	2000575 2003459	SB,SD SGB
18	17704-ZV4-000	BAND, TUBE CLIP, 12.5MM	-	-	2	-	-	1801324	LC,LE,LEB,SC,SE,SEB





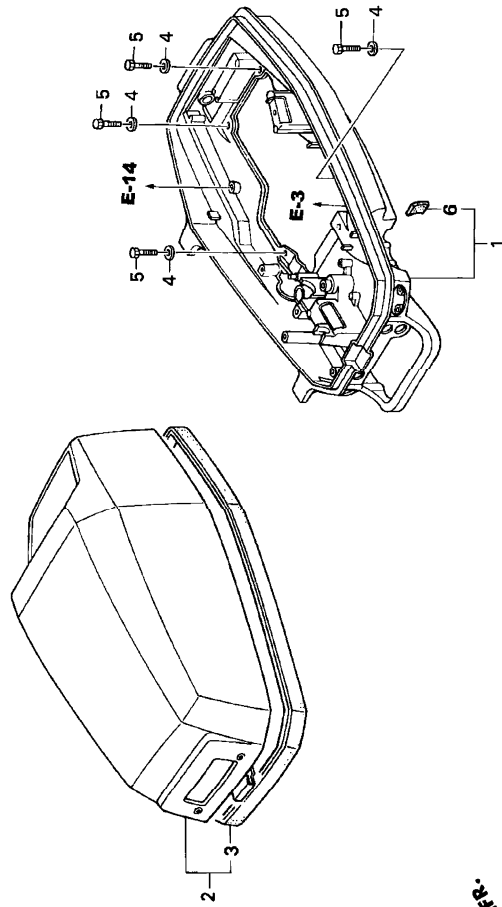
Ref. No.	Part No.	Description	Reqd. QTY				Serial No.	Parts catalogue code
			BF	BF	BF	5A		
18)	17704-ZV4-010	BAND, TUBE CLIP, 12.5MM	2	4	6	2	2000033	----- SGB
			-	-	-	-	2000092	----- LGB
19	17704-921-000	BAND, TUBE CLIP, 11MM	-	-	-	-	1801325	----- LBU,LE,LEB,LU,SBU,SE,SEB,SU
			-	-	-	-	2000575	----- LB,LD
			-	-	-	-	2003459	----- SB,SD
			-	-	-	-	1801324	----- LC,LE,LEB,SC,SE,SEB
			-	-	-	-	2000033	----- SGB
20	91353-921-310	O-RING, 5.5MM	2	2	-	-	2000092	----- LGB
			-	-	-	-	1801325	----- LBU,LE,LEB,LU,SBU,SE,SEB,SU
			-	-	-	-	2000575	----- LB,LD
			-	-	-	-	2003459	----- SB,SD
			1	1	-	-	2000033	----- SGB
			-	-	-	-	2000092	----- LGB
			-	-	-	-	2000575	----- LBU,LC,LE,LEB,LU,SBU,SC,SE,SEB,SU
			-	-	-	-	2003459	----- LB,LD

F-8

ENGINE COVER

G 9

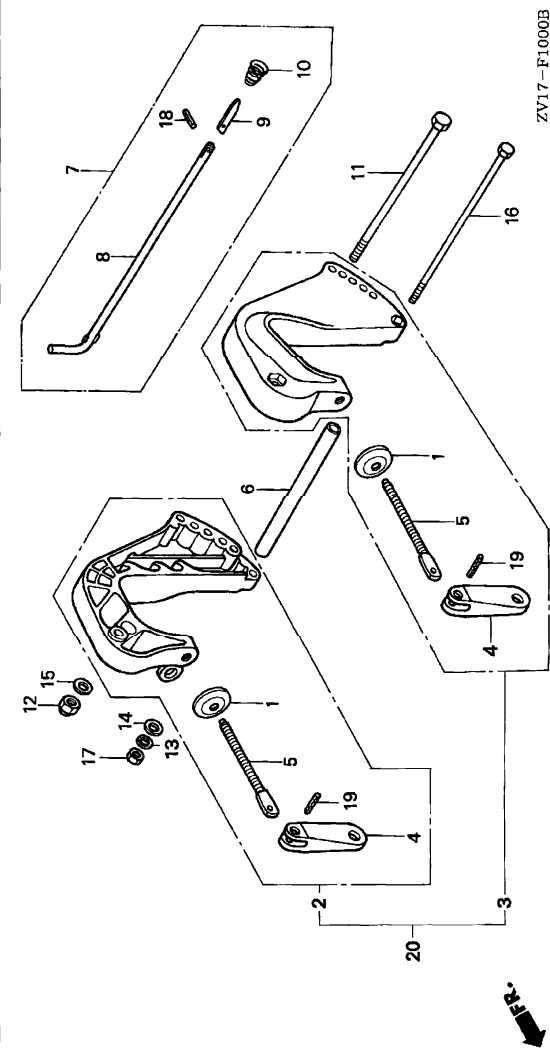
Ref. No.	L.O.N.	(Relative ref. Number)	Description	F.R.T.
1	4141L2	CASE, ENGINE UNDER	0.9
2	4141B4	COVER, ENGINE	removal and installation	0.1
3	4131H7	SEAL, ENGINE COVER	0.1



ZV17-F0800B

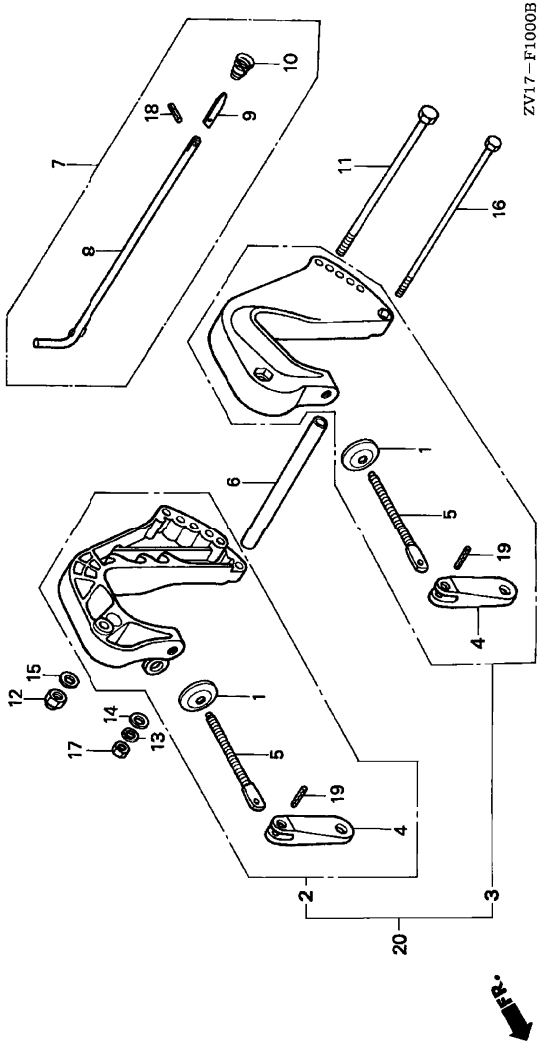
Ref. No.	Part No.	Description	Reqd. QTY						Serial No.	Parts catalogue code
			BF	BF	BF	BF	5A	5A		
1	40100-ZV1-842ZB	CASE COMP., ENGINE UNDER *NH282MU*	1	1	1	1	1	1	1	
2	63100-ZV1-842ZB	COVER COMP., ENGINE *NH282MU*	1	1	1	1	1	1	1	
3	63102-ZV1-300	SEAL, ENGINE COVER	1	1	1	1	1	1	1	
4	90504-921-010	WASHER, PLAIN, 6MM	4	4	4	4	4	4	4	
5	92101-06016-4J	BOLT, HEX., 6X16	4	4	4	4	4	4	4	
6	50159-ZV1-000	RUBBER, DAMPER	1	1	1	1	1	1	1	





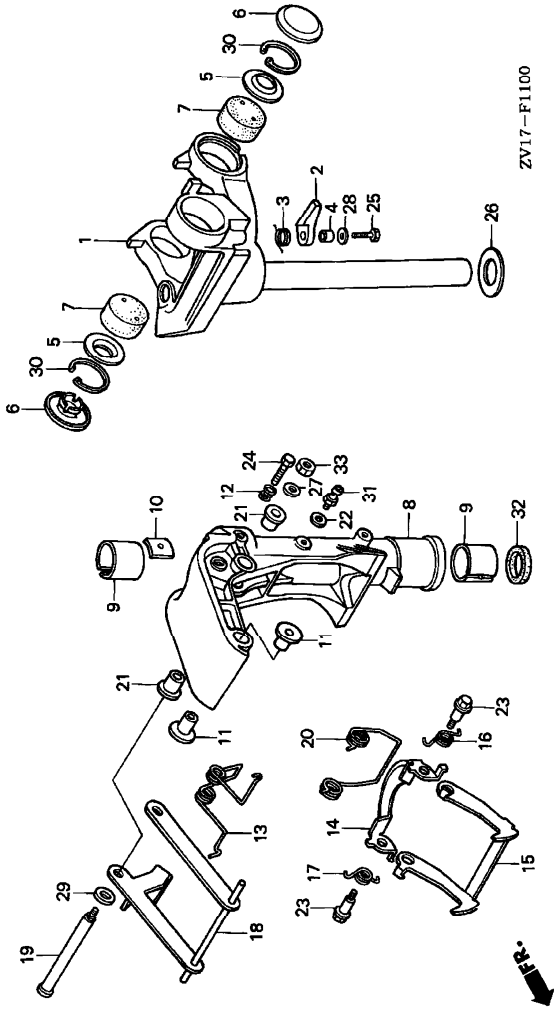
Ref. No.	L.O.N.	(Relative ref. Number)	Description	F.R.T.
2	413129		BRACKET, STERN :RIGHT	0.2
3	413128		BRACKET, STERN :LEFT	0.2
7	413169		ROD, ADJUSTING	0.1

Ref. No.	Part No.	Description	Reqd. QTY					Serial No.	Parts catalogue code
			BF 4.5B	BF 4	BF 6	BF 5A	BF 4		
1	50122-935-010	PLATE, PUSH	-	-	-	-	-	-	
2	50300-ZV1-841ZB	BRACKET COMP., R. STERN *NH282MU*	2	2	2	2	2	2	
	50300-ZV1-842ZB	OYSTER SILVER METALLIC-U *NH282MU*	1	1	-	-	-	-	LB,LD,LE,LEB,SB,SD,SE,SEB
3	50310-ZV1-841ZB	BRACKET COMP., L. STERN *NH282MU*	-	-	-	-	-	-	LBU,LU,SBU,SU
	50310-ZV1-842ZB	OYSTER SILVER METALLIC-U *NH282MU*	1	1	-	-	-	-	LB,LD,LE,LEB,SB,SD,SE,SEB
4	50323-ZV1-300	GRIP, CLAMP	2	2	-	-	-	-	LB,LD,LE,LEB,SB,SD,SE,SEB
	50323-ZW9-300		-	-	-	-	-	-	LBU,LU,SBU,SU
5	50325-ZV1-310	SCREW, CLAMP	2	2	-	-	-	-	LB,LD,LE,LEB,SB,SD,SE,SEB
	50325-ZW9-830		-	-	-	-	-	-	LBU,LU,SBU,SU
6	50335-ZV1-000	COLLAR, DISTANCE, 6MM	1	1	1	1	1	1	
7	50340-ZV1-000	ROD COMP., ADJUSTING	1	1	1	1	1	1	
8	50341-ZV1-310	ROD, ADJUSTING	1	1	1	1	1	1	
9	50342-ZV1-310	STOPPER, ROD	1	1	1	1	1	1	
10	50343-ZV1-300	SPRING, ROD ADJUSTING	1	1	1	1	1	1	



Ref. No.	Part No.	Description	Reqd. QTY						Serial No.	Parts catalogue code
			BF 2	BF 4	BF 5A	BF 6	BF 9A	BF 4		
11	90107-ZV1-000	BOLT, HEX., 8X130	1	1	1	1	1			
12	90305-ZV4-000	NUT, SELF-LOCK, 8MM	1	1	1	1	1			
13	90407-920-000	WASHER, SPRING, 6MM	1	1	1	1	1			
14	90504-921-010	WASHER, PLAIN, 6MM	1	1	1	1	1			
15	90514-921-000	WASHER, 8MM	1	1	1	1	1			
16	92101-06140-4J	BOLT, HEX., 6X140	1	1	1	1	1			
17	94001-06490-0S	NUT, HEX., 6MM	1	1	1	1	1			
18	94305-20063	PIN, SPRING, 2X6	1	1	1	1	1			
19	94305-40203	PIN, SPRING, 4X22	2	2	2	2	2		LB,LD,LE,LEB,SB,SD,SE,SEB	
	90855-ZW9-300	RIVET, 4X22.6	-	-	-	-	-	-	LB,LU,LU,SB,LU,SU	
20	04601-ZV1-000ZA	BRACKET KIT, STERN *NH282MU* OYSTER SILVER METALLIC-U	-	-	-	-	-	-	LB,LU,LU,SB,LU,SU	

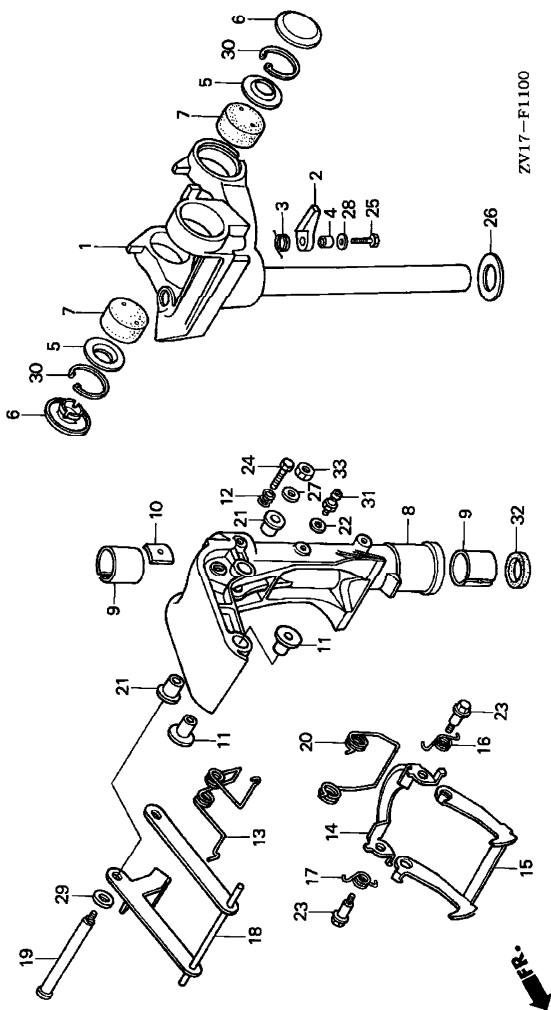




Ref. No.	L.O.N.	(Relative ref. Number)	Description	F.R.T.
1	4101H7		FRAME, MOUNTING	0.5
2	8101AB		STOPPER, STEERING HANDLE	0.1
7	4101R3		RUBBER, UPPER MOUNTING	0.1
8	4131B1		CASE, SWIVEL	0.8
10	4131X2		BLOCK, FRICTION	0.6
13	4131X3		SPRING, HOOK RETURN	0.2
14	4131X1		PLATE, REVERSE LOCK	0.1
18	4131A4		ARM, TILT	0.2
32	4131N3		OIL SEAL, SWIVEL CASE	0.6

Ref. No.	Part No.	Description	Reqd. QTY					Serial No.	Parts catalogue code
			BF	4.5B	BF	4.5B	5A		
1	50100-ZV1-841ZB	FRAME COMP., MOUNTING *NH282MU*	1	1	1	1	1	1	
2	50105-ZV1-841ZB	STOPPER, STEERING HANDLE *NH282MU*	1	1	1	1	1	1	
3	50106-ZV1-000	SPRING, HANDLE	1	1	1	1	1	1	
4	50107-ZV1-000	COLLAR, STOPPER	1	1	1	1	1	1	
5	50112-ZV1-000	WASHER, MOUNTING	2	2	2	2	2	2	
6	50113-ZV1-840	CAP, MOUNTING	2	2	2	2	2	2	
7	50151-ZV1-000	RUBBER, MOUNTING UPPER	2	2	2	2	2	2	
8	50201-ZV1-851ZB	CASE, SWIVEL *NH282MU*	1	1	1	1	1	1	
9	50211-ZV1-000	LINER, SWIVEL CASE	2	2	2	2	2	2	
10	50212-ZV1-000	BLOCK, FRICTION	1	1	1	1	1	1	
11	50214-ZV1-000	BUSH, SWIVEL CASE	2	2	2	2	2	2	
12	50233-881-000	SPRING, FRICTION ADJUSTING	1	1	1	1	1	1	
13	50403-ZV1-000	SPRING, HOOK RETURN	1	1	1	1	1	1	
14	50511-ZV1-000	PLATE, REVERSE LOCK	1	1	1	1	1	1	
15	50512-ZV1-000	HOOK, REVERSE LOCK	1	1	1	1	1	1	
16	50513-ZV1-000	SPRING, R. REVERSE LOCK	1	1	1	1	1	1	
17	50514-ZV1-000	SPRING, L. REVERSE LOCK	1	1	1	1	1	1	
18	50515-ZV1-010	ARM COMP., TILT	1	1	1	1	1	1	
19	50517-ZV1-000	SHAFT, TILT	1	1	1	1	1	1	
20	50519-ZV1-000	SPRING, REVERSE LOCK	1	1	1	1	1	1	





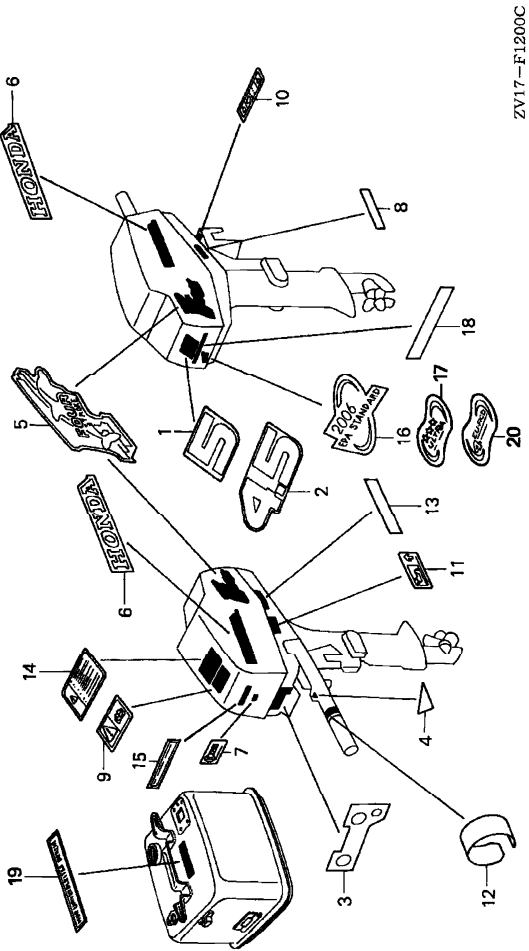
Ref. No.	Part No.	Description	Reqd. QTY						Serial No.	Parts catalogue code
			BF 2	4.5B 4	BF 6	BF 2	BF 3	BF 4		
21	50521-ZV1-000	BUSH, TILT LEVER	2	2	2	2	2	2		
22	51427-230-300	WASHER, 6X11	1	1	1	1	1	1		
23	90105-ZV1-000	BOLT, REVERSE LOCK	2	2	2	2	2	2		
24	90109-ZV4-000	BOLT, SPECIAL, 8X20	1	1	1	1	1	1		
25	90124-ZV4-000	BOLT, HEX., 6X20	1	1	1	1	1	1		
26	90454-ZV1-000	WASHER, THRUST	1	1	1	1	1	1		
27	90504-921-010	WASHER, PLAIN, 6MM	1	1	1	1	1	1		
28	90506-ZV4-000	WASHER, PLAIN, 6MM	1	1	1	1	1	1		
29	90511-921-000	WASHER, PLAIN, 10MM	1	1	1	1	1	1		
30	90651-ZV1-000	CIRCLIP, INTERNAL, 40	2	2	2	2	2	2	LB, LD, LE, LEB, SB, SD, SE, SEB	
31	90951-ZV7-010	NIPPLE, GREASE	1	1	1	1	1	1		
32	91256-ZV1-003	OIL SEAL, 27.8X33X5 (ARAT)	1	1	1	1	1	1		
33	94001-06490-0S	NUT, HEX., 6MM	1	1	1	1	1	1		

F-12

LABEL

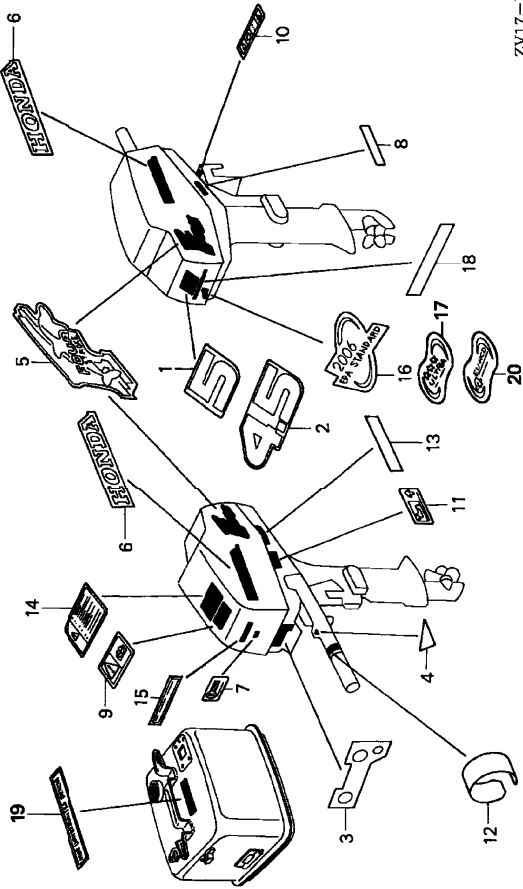
G14

Ref. No. L.O.N. (Relative ref. Number) F.R.T.
 Description
 NO INFORMATION



Ref. No.	Part No.	Description	Reqd. QTY				Serial No.	Parts catalogue code
			BF	BF	BF	5A		
1	87121-ZV1-F00	MARK, RR. (5)	-	-	-	-	-	-
2	87121-ZV1-F10	MARK, RR. (4.5)	1	1	1	1	-	-
3	87123-ZV1-841	LABEL, INDICATION	1	1	1	1	-	-
4	87124-ZV3-010	MARK, EMERGENCY SWITCH INDICATION	1	1	1	1	-	-
5	87131-ZW9-S00	MARK, SIDE	2	2	2	2	-	-
6	87132-ZV1-F00	MARK, SIDE STRIPE (HONDA)	2	2	2	2	-	-
7	87135-ZW5-000	MARK (E-SPEC)	1	1	1	1	-	-
8	87511-ZV1-C11	MARK, CHANGE (ENGLISH/FRENCH)	1	1	1	1	-	-
9	87516-VA9-B50	MARK, OPERATOR CAUTION	1	1	1	1	-	-
10	87516-ZV4-A10	MARK, OPERATOR CAUTION	1	1	1	1	-	-
11	87531-ZV5-611	LABEL, OIL CAUTION (ENGLISH/FRENCH)	-	-	-	-	-	-
12	87532-ZV1-C01	MARK, THROTTLE	1	1	1	1	-	-
13	87535-ZV3-610	LABEL, STORING CAUTION (ENGLISH/FRENCH)	-	-	-	-	-	-
14	87538-ZW1-720	LABEL, WARNING OPERATOR (EC)	1	1	1	1	-	-
15	87572-881-C40	MARK, FUEL CAUTION	1	1	1	1	-	-
16	87634-ZW4-H10	MARK, ENVIRONMENT (2006 EPA STANDARD)	-	-	-	-	-	-
							1701986	LB,LD,LE,LEB
							1707146	LC,SB,SC,SD,SE,SEB
							1802710	





ZV17-F1200C

Ref. No.	Part No.	Description	Reqd. QTY						Serial No.	Parts catalogue code	
			BF	BF	BF	BF	5A	5A			
17	87634-ZW4-H11	MARK, ENVIRONMENT (ULTRA LOW EMISSION) (3-STAR)	2	4	6	2	3	4			
									1701987	LB,LD,LE,LEB	
									1707147	LC,SB,SC,SD,SE,SEB	
									1802711	LB,LD,LE,LEB,SB,SD,SE,SEB	
	87634-ZY1-N00	MARK, ENVIRONMENT (ULTRA LOW EMISSION) (BODENSEE)	1	1	1	1	1	1	2000033	SGB	
									2000092	LGB	
	87634-ZY1-U80	MARK, ENVIRONMENT (EU RCD EMISSIONS)								LBU,LU,SBU,SU	
18	87122-ZV1-F00	MARK, PROGRAMMED IGNITION ...	1	1	1	1	1	1		2000032	SGB
19	87572-881-C40	MARK, FUEL CAUTION	1	1	1	1	1	1		2000091	LGB
20	87634-ZY1-N01	MARK, ENVIRONMENT (EU RCD EMISSIONS) (BODENSEE)									
	87634-ZY1-U80	MARK, ENVIRONMENT (EU RCD EMISSIONS)									LBU,LU,SBU,SU



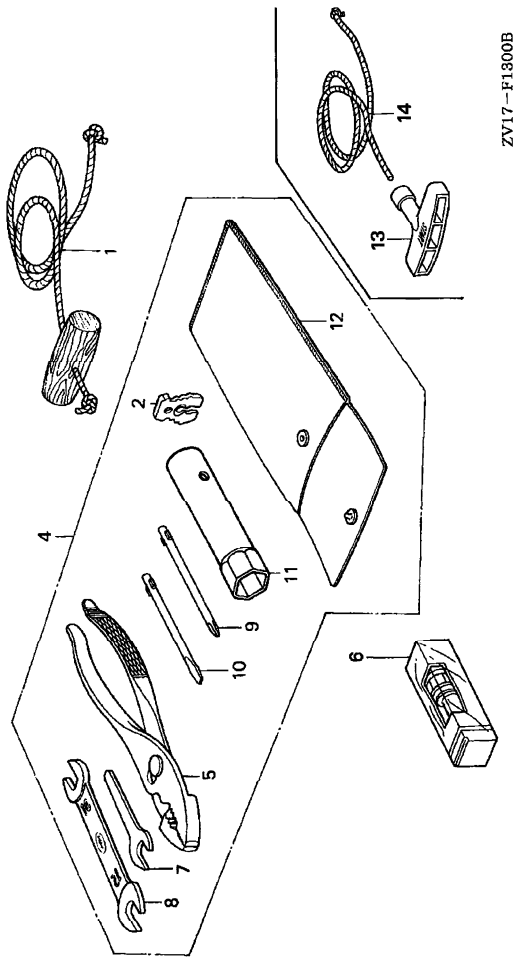
F-13

TOOL

G16

Ref. No. L.O.N. (Relative ref. Number) F.R.T. Description

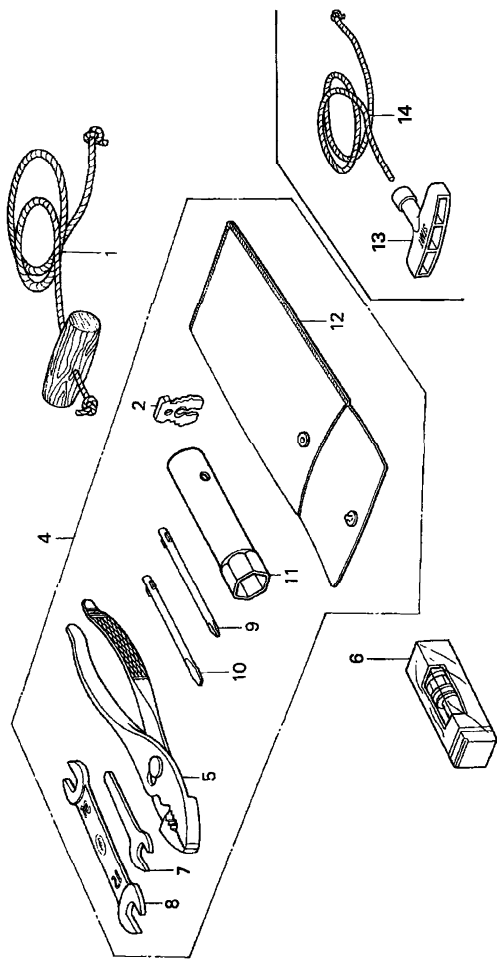
NO INFORMATI.ON



ZV17-F1300B

Ref. No.	Part No.	Description	Reqd. QTY						Serial No.	Parts catalogue code
			BF 4.5B	BF 4	BF 5A	BF 2	BF 3	BF 4		
1	28470-816-000	ROPE, STARTER	1	-	-	1	-	-	2000289 SGB	
				1	-	-	-	-	2000842 LGB	
				-	-	-	-	-	2002274 LB,LD,LE,LEB	
				-	-	-	-	-	2009112 SB,SD,SE,SEB	
2	36187-ZV4-651	CLIP, EMERGENCY LOCK	1	1	1	1	1	-	2000279 SGB	
4	89000-ZV1-C00	TOOL KIT	1	1	1	1	1	-	2000752 LGB	
				1	-	-	-	-	2002158 LB,LD,LE,LEB	
				1	-	-	-	-	2008887 SB,SD,SE,SEB	
				1	-	-	-	-	2000280 SGB	
				1	-	-	-	-	2000753 LGB	
				1	1	1	1	1	LB,LU,SB,LU	
				-	-	-	-	-	2002159 LB,LD,LE,LEB	
				-	-	-	-	-	2008888 SB,SD,SE,SEB	
5	89210-GBJ-J10	PLIERS, 135(KOWA)	1	-	-	1	1	-	2000279 SGB	
				1	-	-	-	-	2000752 LGB	
				-	-	-	-	-	2002158 LB,LD,LE,LEB	
				-	-	-	-	-	2008887 SB,SD,SE,SEB	
				1	-	-	-	-	2000280 SGB	
				1	-	-	-	-	2000753 LGB	
				-	-	-	-	-	LB,LU,SB,LU	
				-	-	-	-	-	2002159 LB,LD,LE,LEB	
				-	-	-	-	-	2008888 SB,SD,SE,SEB	





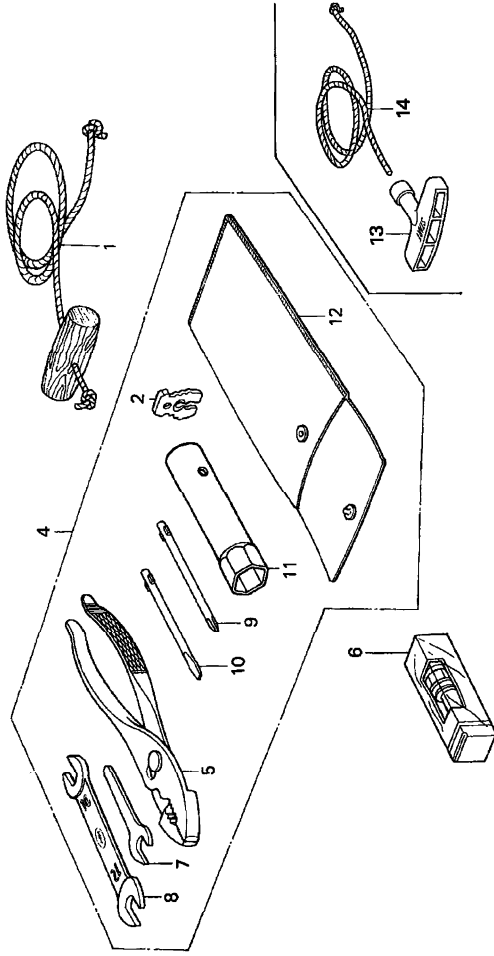
ZV17-F1300B

Ref. No.	Part No.	Description	Reqd. QTY					Serial No.	Parts catalogue code
			BF	BF	BF	5A	5A		
6	98079-55817	PLUG, SPARK (BPR5ES)	1	1	1	1	1		
7	98079-55827	PLUG, SPARK (W16EPR-U)	1	1	1	1	1		
8	99001-08000	SPANNER, 8	1	1	1	1	1		
8	99001-10120	SPANNER, 10X12	1	1	1	1	1		
9	99003-10000	DRIVER PLUS SCREW 1, (NO.2)	1	1	1	1	1		
10	99003-30000	DRIVER MINUS SCREW 3, (NO.2)	1	1	1	1	1		
11	99004-21001	WRENCH, BOX (P21)	1	1	1	1	1		
12	99008-02000	BAG, TOOL, 200MM	1	1	1	1	1		
	99008-01600	BAG, TOOL, 160MM	-	-	-	-	-	2000279 SGB 2000752 LGB 2002158 LB,LD,LE,LEB 2008887 SB,SD,SE,SEB 2000280 SGB 2000753 LGB	
13	28461-ZH8-003	GRIP, STARTER	-	-	-	-	-	2002159 LBU,LU,SBU,SU 2008888 LB,LD,LE,LEB 2000290 SB,SD,SE,SEB 2000843 SGB LGB	
			-	-	-	-	-	2002275 LBU,LU,SBU,SU 2009113 LB,LD,LE,LEB SB,SD,SE,SEB	

F-13

TOOL

H 2

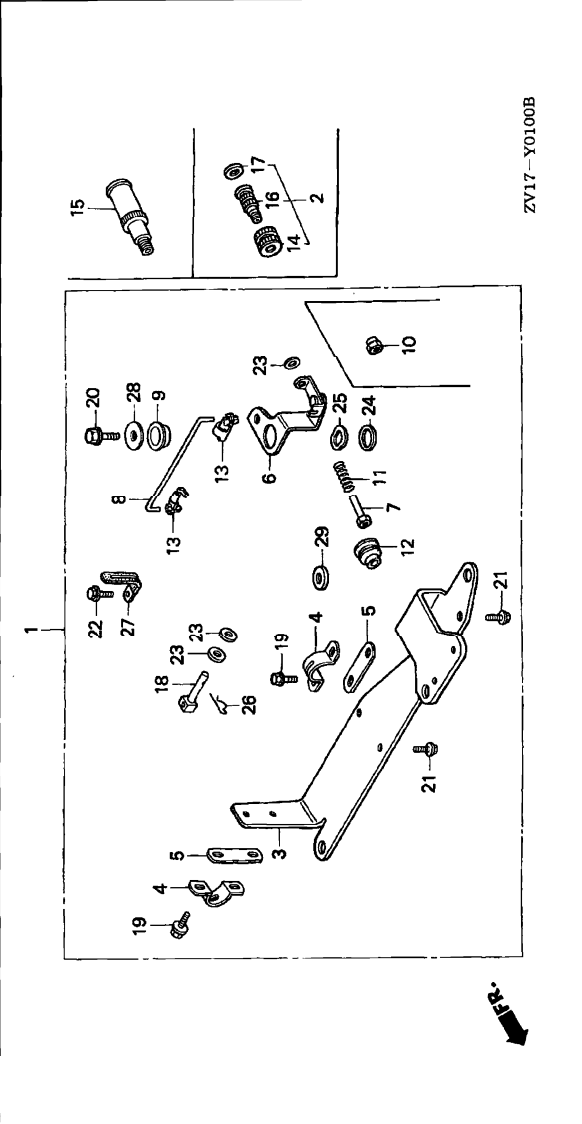


ZV17-F1300B

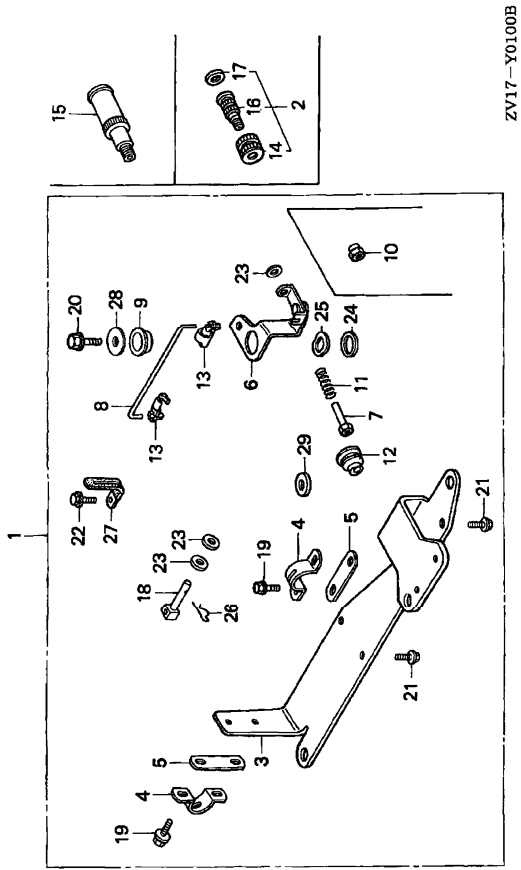
Ref. No.	Part No.	Description	Reqd. QTY				Serial No.	Parts catalogue code
			BF 4.5B	BF 4.5B	BF 5A	BF 5A		
14	28462-ZW9-003	ROPE, RECOIL STARTER	2	1	-	-	2000290	SGB
			-	1	-	-	2000843	LGB
			-	-	-	-	2002275	LBU, LU, SBU, SU
			-	-	-	-	2009113	LB, LD, LE, LEB
			-	-	-	-		SB, SD, SE, SEB

3

Ref. No.	L.O.N.	(Relative ref. Number)	F.R.T.
3	5101L6	BRACKET, STEERING	0.2
6	6221P6	LEVER, REMOTE CONTROL	0.3
8	6221P5	ROD, REMOTE CONTROL	0.1



Ref. No.	Part No.	Description	Reqd. QTY				Serial No.	Parts catalogue code
			BF	4.5B	5A	5A		
1	06170-ZV1-811	CONTROL KIT, REMOTE	(1)	(1)	(1)	(1)		
2	06170-ZV1-812	JOINT KIT, WATER HOSE	(1)	(1)	(1)	(1)		LC, SC
3	17851-ZV1-810	BRACKET, STEERING	(1)	(1)	(1)	(1)		
4	17855-ZV1-810	CLAMP, CABLE	(2)	(2)	(2)	(2)		
5	17856-ZV1-810	SHIM, CABLE CLAMP	(2)	(2)	(2)	(2)		
6	17860-ZV1-810	LEVER COMP., CONTROL	(1)	(1)	(1)	(1)		
7	17864-ZV1-810	NUT B, CONTROL ADJUSTING	(1)	(1)	(1)	(1)		
8	17865-ZV1-810	ROD, CONTROL	(1)	(1)	(1)	(1)		
9	17866-ZV1-810	BUSH, CONTROL LEVER	(1)	(1)	(1)	(1)		
10	17867-ZV1-810	NUT A, CONTROL ADJUSTING	(1)	(1)	(1)	(1)		
11	17868-ZV1-810	SPRING, CONTROL LEVER	(1)	(1)	(1)	(1)		
12	17938-ZV1-810	GROMMET, CONTROL CABLE	(1)	(1)	(1)	(1)		
13	17946-ZV1-000	BUSH, LINKAGE	(2)	(2)	(2)	(2)		
14	19270-881-812	NUT, WATER MOUTH	(1)	(1)	(1)	(1)		LC, SC
15	19271-ZV1-000	JOINT, WATER HOSE	(1)	(1)	(1)	(1)		LB, LD, LE, LEB, SB, SD, SE, SEB
16	19271-ZV1-810	JOINT, WATER HOSE	(1)	(1)	(1)	(1)		LC, SC
17	19272-881-810	SEAT, WATER MOUTH	(1)	(1)	(1)	(1)		LC, SC
18	24618-ZV1-810	PIVOT, SHIFT	(1)	(1)	(1)	(1)		
19	90002-ZV0-010	BOLT, FLANGE, 5X10	(4)	(4)	(4)	(4)		
20	90058-ZY3-000	(4)	(4)	(4)	(4)		

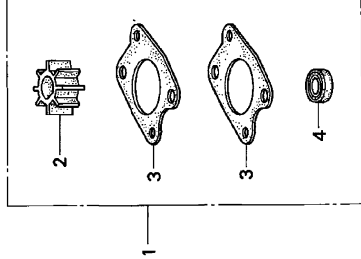
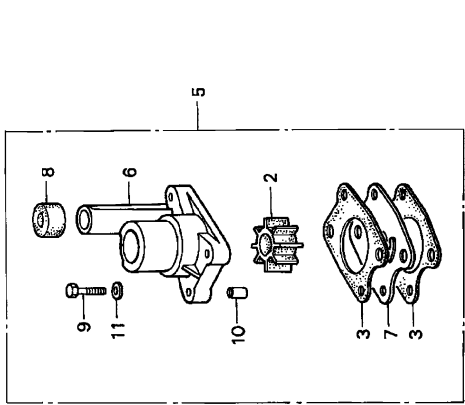


ZV17-Y0100B



Ref. No.	Part No.	Description	Reqd. QTY						Serial No.	Parts catalogue code
			BF	BF	BF	BF	BF	BF		
			4.5B	4.5B	5A	5A	5A			
			2	4	6	2	3			
20	90013-ZV0-010	BOLT, FLANGE, 6X12	(1)	(1)	(1)	(1)	(1)	(1)	(1)	
21	90013-ZV1-000	BOLT, FLANGE, 6X14	(3)	-	-	(3)	-	-	-	
	90011-ZW9-000	BOLT, FLANGE, 6X14(CT200)	-	(3)	(3)	-	(3)	(3)	(3)	
22	90019-ZV1-010	BOLT, FLANGE, 5X10	(1)	(1)	(1)	(1)	(1)	(1)	(1)	
23	90452-GK4-600	WASHER, PLAIN, 5MM	(3)	(3)	(3)	(3)	(3)	(3)	(3)	
24	90505-ZV1-000	WASHER, 14MM	(1)	(1)	(1)	(1)	(1)	(1)	(1)	
25	90506-ZV1-000	WASHER, WAVE, 14MM	(1)	(1)	(1)	(1)	(1)	(1)	(1)	
26	90757-ZV1-000	PIN, LOCK, 5MM	(1)	(1)	(1)	(1)	(1)	(1)	(1)	
27	91403-881-000	CLIP B, CORD	(1)	(1)	(1)	(1)	(1)	(1)	(1)	
28	90508-ZY3-000	WASHER, PLAIN, 6MM	(1)	(1)	(1)	(1)	(1)	(1)	(1)	
29	90404-ZY3-000	WASHER, PLAIN, 22X6X1.6	-	(1)	(1)	-	-	-	(1)	

Ref. No.	L.O.N.	(Relative ref. Number)	Description	F.R.T.
1	1141L2		IMPELLER KIT, WATER PUMP	0.3
2	1141B9		IMPELLER, PUMP	0.2
3	1141A9		GASKET, IMPELLER	0.2
-NOTE: Same time for two units				
4	2191B1		WATER SEAL, VERTICAL SHAFT ...	0.3
5	1141B8		PUMP KIT, IMPELLER	0.2
8	1141F3		RING, WATER TUBE SEAL	0.2



Ref. No.	Part No.	Description	Reqd. QTY						Serial No.	Parts catalogue code		
			BF	4.5B	BF	4.5B	BF	4.5B				
1	06192-ZV1-C00	IMPELLER KIT, WATER PUMP	-	-	-	-	-	(1)	(1)	(1)	(1)	
2	19210-881-A02	IMPELLER, PUMP	(1)	(1)	(1)	(1)	(1)	(2)	(2)	(2)	(2)	
3	19232-ZV1-A10	GASKET, IMPELLER	(2)	(2)	(2)	(2)	(2)	(4)	(4)	(4)	(4)	
4	91252-ZV1-003	SEAL, WATER, 13MM(CARAI)	-	-	-	-	-	(1)	(1)	(1)	(1)	
	91252-ZV1-004	SEAL, WATER, 13MM(NOK)	-	-	-	-	-	(1)	(1)	(1)	(1)	
5	06193-ZV1-000	PUMP KIT, IMPELLER	(1)	(1)	(1)	(1)	(1)	(1)	(1)	(1)	(1)	
6	19220-ZV1-A00	HOUSING COMP., IMPELLER	(1)	(1)	(1)	(1)	(1)	(1)	(1)	(1)	(1)	
7	19231-ZV1-A00	COVER, IMPELLER	(1)	(1)	(1)	(1)	(1)	(1)	(1)	(1)	(1)	
8	19253-ZV1-000	RING, WATER TUBE SEAL	(1)	(1)	(1)	(1)	(1)	(1)	(1)	(1)	(1)	
9	90108-881-000	BOLT, HEX., 6X28	(4)	(4)	(4)	(4)	(4)	(4)	(4)	(4)	(4)	
10	90112-881-000	COLLAR B, DISTANCE	(4)	(4)	(4)	(4)	(4)	(4)	(4)	(4)	(4)	
11	90504-921-010	WASHER, PLAIN, 6MM	(4)	(4)	(4)	(4)	(4)	(4)	(4)	(4)	(4)	

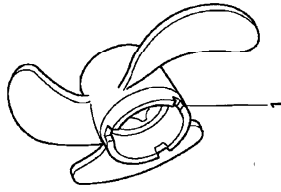
FOP-3

PROPELLER

H 6

Ref. L.O.N. (Relative ref. Number) F.R.T.
 No. Description
 1 2191A8 PROPELLER, THREE BLADES 0.1

ZV17- Y0300



Ref. No.	Part No.	Description	Reqd. QTY						Serial No.	Parts catalogue code
			BF 4.5B	BF 4	BF 6	BF 2	BF 5A	BF 3		
1	58130-ZV1-840ZB	PROPELLER COMP., THREE BLADES (200X190)	-	-	-	(1)	-	(1)	-----	LBU,LE,LEB,LU,SBU,SE,SEB,SU
	58130-ZV1-940ZB	*NH283*.....STIN GRAY	(1)	(1)	(1)	(1)	(1)	(1)	-----	LB,LC,LD,SB,SC,SD
		NH283.....STIN GRAY (200X170)	-	-	-	(1)	-	(1)	-----	

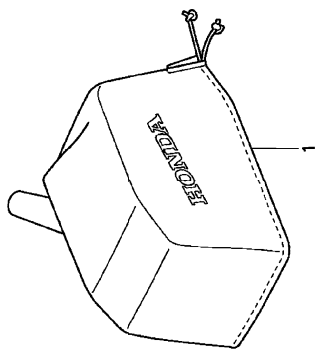
FOP-4

BODY COVER

H 7

Ref. No. L.O.N. (Relative ref. Number) F.R.T.
 Description
 NO INFORMATION

ZV17- Y0400



Ref. No.	Part No.	Description	Reqd. QTY						Serial No.	Parts catalogue code
			BF 4.5B	BF 4.5B	BF 5A	BF 5A	BF 5A	BF 5A		
1	63311-ZV1-000	COVER, BODY	2	4	6	3	4			
	63311-ZV1-010	(1)	(1)	(1)	(1)	(1)		LB,LD,LE,LEB,SB,SD,SE,SEB	
		-	-	-	-	-		LBU,LU,SBU,SU	



PART NO. INDEX

Part Number	Address	Page	Ref.	Part Number	Address	Page	Ref.	Part Number	Address	Page	Ref.	Part Number	Address	Page	Ref.
24618-ZV1-810	H3	76	18	41201-ZV1-843ZB	F10	51	10	53111-ZV1-000	F2	43	23	88000			
24621-921-010	F1	42	13	50000				53112-ZV1-000	F2	43	24				
	F3	44	14					53140-ZV1-A00	F2	43	25	88111-921-010	F4	45	25
28000								53165-ZV1-A00	F2	43	26				
28400-ZV1-043ZB	D12	31	1	50100-ZV1-841ZB	G12	69	1	58000				89000			
28400-ZV1-053ZB	D12	31	1	50105-ZV1-841ZB	G12	69	2					89000-ZV1-C00	G16	73	4
28410-ZV1-013ZB	D12	31	2	50106-ZV1-000	G12	69	3	58130-ZV1-840ZB	F11	52	11	89000-ZV1-F00	G16	73	4
28410-ZV1-023ZB	D12	31	2	50107-ZV1-000	G12	69	4	58130-ZV1-940ZB	F11	52	11	89210-GBJ-J00	G16	73	5
28421-ZV1-003	D12	31	3	50111-ZV1-842ZB	F8	69	5	58130-ZV1-010	H6	79	1	89210-GBJ-J10	G16	73	5
28426-ZV1-023	D12	31	4	50112-ZV1-000	G12	69	6	58131-ZV1-010	H6	79	1				
28431-ZV1-003	D12	31	5	50113-ZV1-840	G12	69	6	90000							
28431-ZV1-013	D12	31	5	50121-ZV1-842ZB	F8	69	15								
28432-ZV1-003	D12	31	6	50122-935-010	G10	67	1	90001-ZE1-000	D8	27	6				
28432-ZV1-013	D13	32	6	50151-ZV1-000	G12	69	1	90002-ZV0-010	H3	76	19				
28441-ZV1-003	D13	32	7	50152-ZV1-000	F8	49	16	90005-ZV1-000	F8	49	18				
28441-ZV1-013	D13	32	7	50155-ZV1-000	F8	49	17	90011-ZW9-000	F2	43	27				
28442-ZV1-003	D13	32	8	50158-ZV1-000	F3	44	19								
28443-ZV1-023	D13	32	9	50159-ZV1-000	G9	66	6	63100-ZV1-842ZB	G9	66	2				
28443-ZV1-033	D13	32	9	50201-ZV1-851ZB	G12	69	8	63102-ZV1-300	G9	66	3				
28443-ZV1-003	D13	32	9	50211-ZV1-000	G12	69	9	63201-ZV1-841ZB	F4	45	22	90012-ZE0-010	D9	28	16
28445-ZV1-003	D13	32	10	50212-ZV1-000	G12	69	10	63202-ZV1-000	F4	45	23	90012-ZV1-000	D16	35	21
28451-ZV1-010	E3	38	2	50214-ZV1-000	G12	69	11	63205-920-000	F4	45	24	90012-ZV1-010	D16	35	21
28454-ZV1-003	D13	32	11	50323-881-000	G10	67	12	63311-ZV1-000	H7	80	1	90013-ZV0-010	D4	23	10
28455-ZV1-000	D13	32	12	50300-ZV1-841ZB	G10	67	2	63311-ZV1-010	H7	80	1	90015-ZV0-000	D6	25	16
28461-ZH8-003	H1	74	13	50300-ZV1-842ZB	G10	67	2	87000							
28461-ZV1-013	D13	32	13	50310-ZV1-841ZB	G10	67	3								
28462-ZV1-003	D13	32	14	50323-ZV1-300	G10	67	4	87121-ZV1-F00	G14	71	1	90013-ZV1-000	H4	77	21
28462-ZW9-003	H2	75	14	50323-ZW9-300	G10	67	4	87121-ZV1-F10	G14	71	2	90013-ZV4-010	F4	45	27
28463-ZV1-003	D13	32	15	50325-ZV1-310	G10	67	5	87122-ZV1-F00	G14	71	3	90014-ZV1-010	F6	46	6
28470-816-000	G16	73	1	50335-ZV1-000	G10	67	6	87124-ZV3-010	G14	71	4	90015-ZV0-000	F5	46	6
				40000				87131-ZW9-S00	G14	71	5				
30000				40100-ZV1-842ZB	G9	66	1	87132-ZV1-F00	G14	71	6	90015-ZV0-C10	D16	35	22
30500-ZV1-003	E3	38	3	40201-ZV1-843ZB	F7	48	8	87135-ZW5-000	G14	71	7				
30500-ZV1-F01	E4	39	14	40201-ZV1-942ZB	F7	48	8	87511-ZV1-C11	G14	71	8				
30500-ZV1-G01	E4	39	14	40202-ZV1-000	F7	48	8	87516-ZV4-A10	G14	71	9	90017-ZY3-000	D2	21	16
30505-ZE6-000	E3	38	4	40204-ZV1-000	F7	48	10	87535-ZV5-610	G14	71	10	90018-ZV1-000	D2	21	16
30700-ZV1-010	E3	38	5	40205-ZV1-000	F7	48	11	87538-ZW1-720	G14	71	13	90019-ZV1-000	D4	23	11
				41000				87571-881-671	F16	57	24				
31000-ZV1-010	E3	38	6	41100-ZV1-A00ZB	F8	49	12	87572-881-C40	G14	71	15	90019-ZV1-010	D5	24	14
31100-ZV1-811	E5	40	2	41106-ZV4-650	F9	50	13	87573-881-670	F16	57	25				
31100-ZV1-F00ZA	E3	38	6	41110-ZV1-010	F9	50	11	87573-881-C40	F16	57	25	90019-ZW4-000	D4	23	11
31100-ZV1-F40ZA	E3	38	6	41110-ZV1-701	F9	50	11	87573-881-C41	F16	57	25	90036-ZY3-000	D7	26	17
31511-ZV1-811	E3	38	7	41121-ZV1-010	F9	50	12	87574-881-670	G1	58	26	90056-ZY3-000	D16	35	26
31620-ZV1-A01	E5	40	3	41135-ZV1-000	F9	50	14	87574-881-671	G1	58	26	90058-ZY3-000	H3	76	19
31630-ZV1-A01	E5	40	4	41136-ZV1-000	F9	50	14	87574-881-C40	G1	58	26	90101-ZV1-000	F8	49	19
31650-ZV1-A01	E5	40	6	41145-ZV1-000	F10	51	6	87574-881-C41	G1	58	26				
31650-ZV1-A01	E5	40	6	41150-ZV1-000	F10	51	6	87574-881-C41	G1	58	26	90102-ZV1-000	F8	49	20
31650-ZV1-A02	E5	40	6	41158-ZV1-000	F10	51	7	87634-ZW4-H10	G14	71	16	90105-ZV1-000	G13	70	23
31651-ZV1-A01	E5	40	7	41159-ZV1-000	F11	52	21	87634-ZW4-H11	G15	72	17	90105-ZV4-650	F8	49	21
				41160-ZV1-000	F10	51	8	87634-ZY1-N00	G15	72	17	90106-ZV1-000	F2	43	29
				41161-ZV1-300	F10	51	9	87634-ZY1-N01	G15	72	20	90107-ZV1-000	G11	68	11
				41201-ZV1-842ZB	F10	51	10	87634-ZY1-U80	G15	72	17	90108-881-000	F9	50	15



PART NO. INDEX

Part Number	Address	Page	Ref.	Part Number	Address	Page	Ref.	Part Number	Address	Page	Ref.	Part Number	Address	Page	Ref.
90108-881-000	H5	78	9	90506-ZV1-000	H4	77	24	92101-06016-4J	F2	43	36	99000			
90109-ZV4-000	G13	70	24	90506-ZV4-000	F4	45	42		F4	45	42				
90111-881-000	F8	49	22	90507-921-000	F8	49	27		F8	49	31	99001-08000	H1	74	7
90112-881-000	F9	50	16	90507-ZV1-000	F2	43	33		G9	66	5	99001-10120	H1	74	8
	H5	78	10	90508-ZV3-000	H4	77	28		G11	68	16	99003-10000	H1	74	9
90116-ZV1-000	F2	43	30	90511-921-000	G13	70	28					99003-30000	H1	74	10
90120-881-010	G2	59	27	90512-921-010	F4	45	32					99004-21001	H1	74	11
90120-ZV4-000	F8	49	23	90514-921-000	G11	68	15					99008-01600	H1	74	12
90121-ZV0-000	E4	39	12	90540-881-000	D2	21	18					99008-02000	H1	74	12
90121-ZV0-010	E4	39	12	90551-ZE1-000	G8	27	8					99101-ZF5-0700	D16	35	27
90121-ZV1-F00	E4	39	12	90602-921-000	E2	37	4					99101-ZF5-0720	E1	36	27
90121-ZV4-000	E4	39	12	90651-ZV1-000	G13	70	30					99101-ZF5-0750	E1	36	27
90122-ZV1-000	D2	21	17	90652-ZV1-000	F4	45	33					99101-ZF5-0780	E1	36	27
90122-ZV1-010	D2	21	17	90674-ZV1-003	E6	41	14					99101-ZH7-0720	E1	36	27
90123-ZV0-000	D2	21	18	90702-HC4-000	F8	49	28					99101-ZH7-0750	E1	36	27
90123-ZV0-010	D2	21	18	90702-HC4-000	F8	49	28					99101-ZH7-0780	E1	36	27
90124-ZV1-000	E2	37	3	90702-HC4-000	F8	49	28					99103-881-0380	E1	36	28
90124-ZV1-010	E2	37	3	90705-ZV1-000	H4	77	26					99103-ZV1-0350	E1	36	28
90124-ZV4-000	G13	70	25	90705-ZV1-000	H4	77	26					99103-ZV1-0380	E1	36	28
90125-ZV1-000	D16	35	23	90705-ZV1-000	H4	77	26					99103-ZV1-0380	E1	36	28
90125-ZV1-010	D16	35	23	90705-ZV1-000	H4	77	26					99103-ZV1-0380	E1	36	28
90125-ZV1-000	D6	25	17	90705-ZV1-000	H4	77	26					99103-ZV1-0380	E1	36	28
90126-ZV1-010	D6	25	17	90705-ZV1-000	H4	77	26					99103-ZV1-0380	E1	36	28
90127-ZV1-000	D2	21	19	90705-ZV1-000	H4	77	26					99103-ZV1-0380	E1	36	28
90127-ZV1-010	D14	33	17	90705-ZV1-000	H4	77	26					99103-ZV1-0380	E1	36	28
90128-ZV1-000	E6	41	13	90705-ZV1-000	H4	77	26					99103-ZV1-0380	E1	36	28
	F6	47	7	90705-ZV1-000	H4	77	26					99103-ZV1-0380	E1	36	28
90128-ZV1-010	D14	33	17	90705-ZV1-000	H4	77	26					99103-ZV1-0380	E1	36	28
	E6	41	13	90705-ZV1-000	H4	77	26					99103-ZV1-0380	E1	36	28
90131-896-650	F6	47	7	90705-ZV1-000	H4	77	26					99103-ZV1-0380	E1	36	28
90131-ZW4-000	D7	26	18	90705-ZV1-000	H4	77	26					99103-ZV1-0380	E1	36	28
90201-881-000	E4	39	13	90705-ZV1-000	H4	77	26					99103-ZV1-0380	E1	36	28
90201-ZV1-003	D14	33	19	90705-ZV1-000	H4	77	26					99103-ZV1-0380	E1	36	28
90206-ZE1-000	D9	28	17	90705-ZV1-000	H4	77	26					99103-ZV1-0380	E1	36	28
90302-921-000	F2	43	31	90705-ZV1-000	H4	77	26					99103-ZV1-0380	E1	36	28
	F4	45	28	90705-ZV1-000	H4	77	26					99103-ZV1-0380	E1	36	28
90302-ZW4-000	D14	33	18	90705-ZV1-000	H4	77	26					99103-ZV1-0380	E1	36	28
	D16	35	24	90705-ZV1-000	H4	77	26					99103-ZV1-0380	E1	36	28
90304-ZV4-000	F8	49	24	90705-ZV1-000	H4	77	26					99103-ZV1-0380	E1	36	28
90305-ZV4-000	G11	68	12	90705-ZV1-000	H4	77	26					99103-ZV1-0380	E1	36	28
90404-ZY3-000	H4	77	29	90705-ZV1-000	H4	77	26					99103-ZV1-0380	E1	36	28
90407-920-000	G11	68	13	90705-ZV1-000	H4	77	26					99103-ZV1-0380	E1	36	28
90441-035-000	D3	22	20	90705-ZV1-000	H4	77	26					99103-ZV1-0380	E1	36	28
90445-700-000	G2	59	28	90705-ZV1-000	H4	77	26					99103-ZV1-0380	E1	36	28
90452-6K4-600	H4	77	23	90705-ZV1-000	H4	77	26					99103-ZV1-0380	E1	36	28
90454-ZV1-000	G13	70	26	90705-ZV1-000	H4	77	26					99103-ZV1-0380	E1	36	28
90459-557-000	D8	27	7	90705-ZV1-000	H4	77	26					99103-ZV1-0380	E1	36	28
90501-ZV1-000	F4	45	29	90705-ZV1-000	H4	77	26					99103-ZV1-0380	E1	36	28
90503-ZV1-000	F11	52	15	90705-ZV1-000	H4	77	26					99103-ZV1-0380	E1	36	28
90504-921-010	F8	49	25	90705-ZV1-000	H4	77	26					99103-ZV1-0380	E1	36	28
	F9	50	17	90705-ZV1-000	H4	77	26					99103-ZV1-0380	E1	36	28
	G9	66	4	90705-ZV1-000	H4	77	26					99103-ZV1-0380	E1	36	28
	G11	68	14	90705-ZV1-000	H4	77	26					99103-ZV1-0380	E1	36	28
	G13	70	27	90705-ZV1-000	H4	77	26					99103-ZV1-0380	E1	36	28
90505-ZV1-000	H5	78	11	90705-ZV1-000	H4	77	26					99103-ZV1-0380	E1	36	28
	F4	45	30	90705-ZV1-000	H4	77	26					99103-ZV1-0380	E1	36	28





1

FOREWORD INDEX



2

ENGINE GROUP



3

FRAME GROUP



4

PART NUMBER INDEX



5

PART NAME INDEX

